



US00D586543S

(12) **United States Design Patent**
Wolff

(10) **Patent No.:** **US D586,543 S**

(45) **Date of Patent:** **** Feb. 17, 2009**

(54) **SHOE SOLE**

(75) Inventor: **Gary Wolff**, St. Louis, MO (US)

(73) Assignee: **Wolff Shoe Company**, Fenton, MO (US)

(**) Term: **14 Years**

(21) Appl. No.: **29/294,121**

(22) Filed: **Dec. 21, 2007**

(51) **LOC (9) Cl.** **02-04**

(52) **U.S. Cl.** **D2/954; D2/951; D2/955;**
D2/960

(58) **Field of Classification Search** D2/902,
D2/947, 951, 952, 953, 954, 956, 957, 958,
D2/960; 36/103, 22 R, 25 R, 32 R
See application file for complete search history.

(56) **References Cited**

U.S. PATENT DOCUMENTS

2,553,616	A *	5/1951	Walls	36/29
4,546,559	A *	10/1985	Dassler	36/129
D296,379	S *	6/1988	Lee	D2/908
D302,350	S *	7/1989	Choi	D2/955
D306,793	S *	3/1990	Schwartz	D2/954
D325,815	S *	5/1992	Bass	D2/955
D331,658	S *	12/1992	Blissett	D2/955
D365,673	S *	1/1996	Bradway	D2/908
D396,139	S *	7/1998	Dietrich	D2/962
D400,346	S *	11/1998	Singer	D2/959
D412,392	S *	8/1999	Singer	D2/951
D448,544	S *	10/2001	Della Valle	D2/954
D467,061	S *	12/2002	Della Valle	D2/954

D468,081	S *	1/2003	Recchi et al.	D2/954
D479,643	S *	9/2003	O'Shea et al.	D2/951
D483,933	S *	12/2003	Adams et al.	D2/955
D485,973	S *	2/2004	Adams	D2/954
D487,837	S *	3/2004	McClaskie	D2/954
6,748,675	B2 *	6/2004	Sato	36/30 R
D541,510	S *	5/2007	McClaskie	D2/954
D551,434	S *	9/2007	Nakano	D2/955
D563,084	S *	3/2008	Della Valle	D2/956
D566,937	S *	4/2008	St-Louis et al.	D2/956

* cited by examiner

Primary Examiner—Celia A Murphy

(74) *Attorney, Agent, or Firm*—Paul A. Denk

(57) **CLAIM**

I claim the ornamental design for a shoe sole, as shown and described.

DESCRIPTION

FIG. 1 is an isometric view of a shoe sole showing my new design, the broken line showing the shoe upper in FIGS. 1, 4, 5, 6 & 7 representing the portion of the design that forms no part of the claim;

FIG. 2 is a bottom plan view;

FIG. 3 is a top plan view;

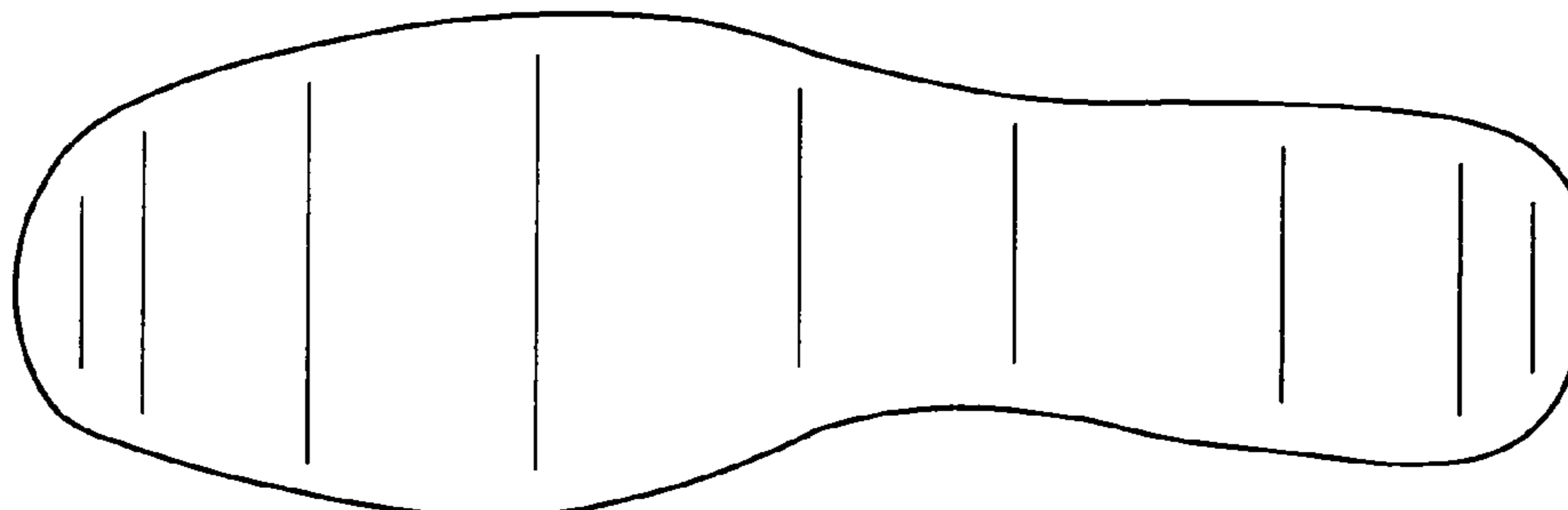
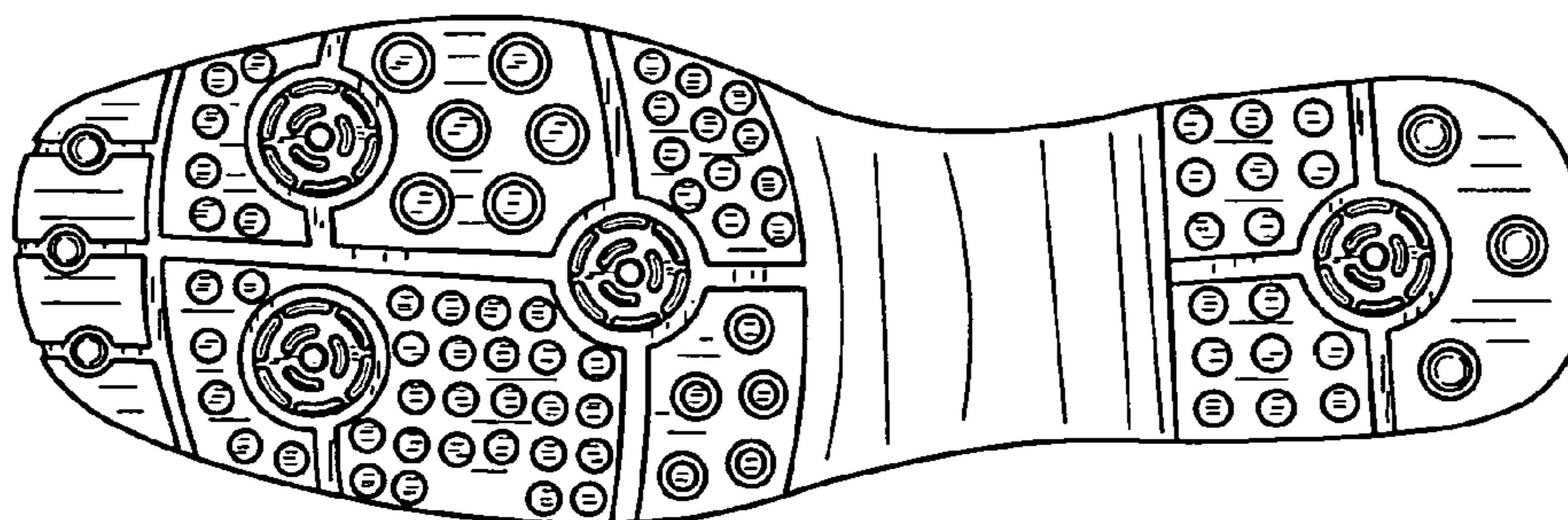
FIG. 4 is a left side view;

FIG. 5 is a right side view;

FIG. 6 is a front view; and,

FIG. 7 is a rear view.

1 Claim, 2 Drawing Sheets



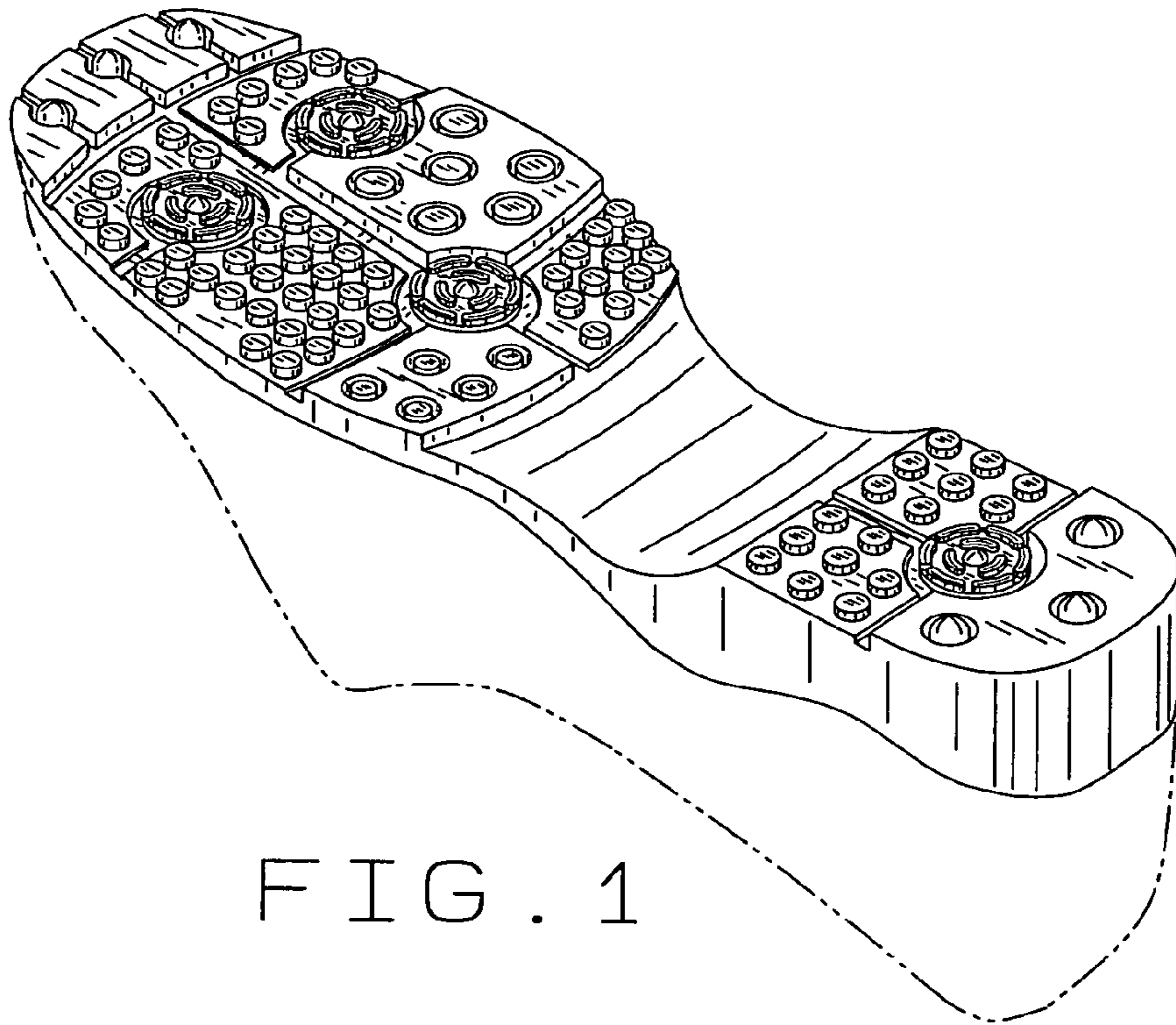


FIG. 1

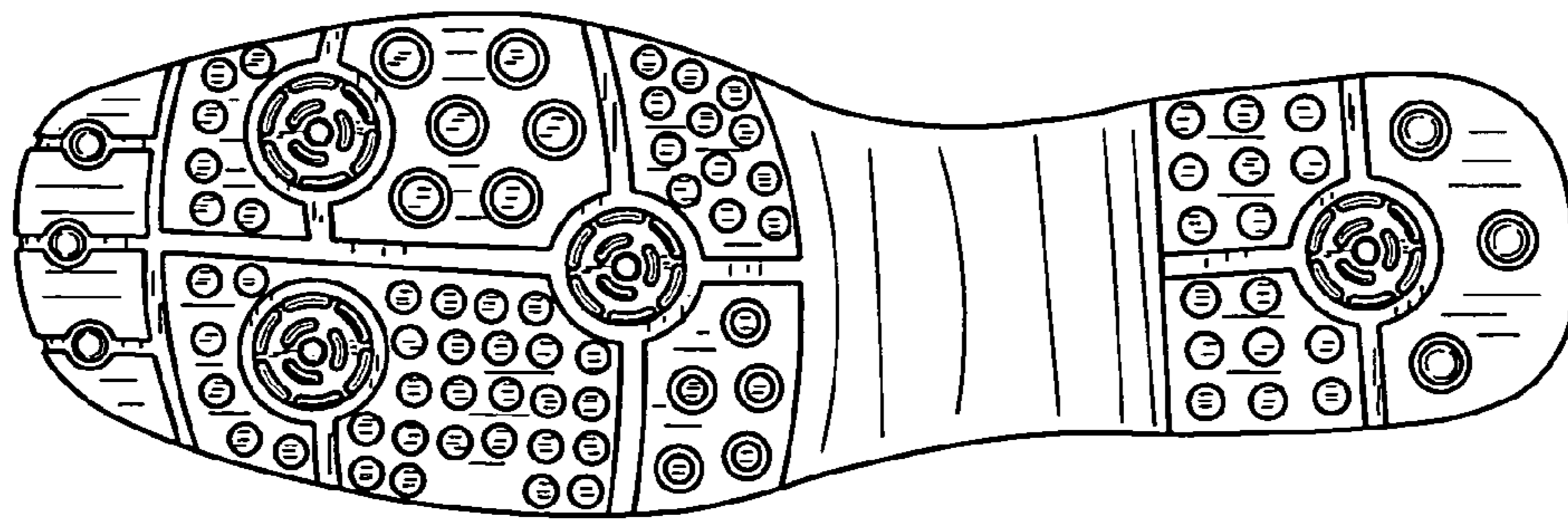


FIG. 2

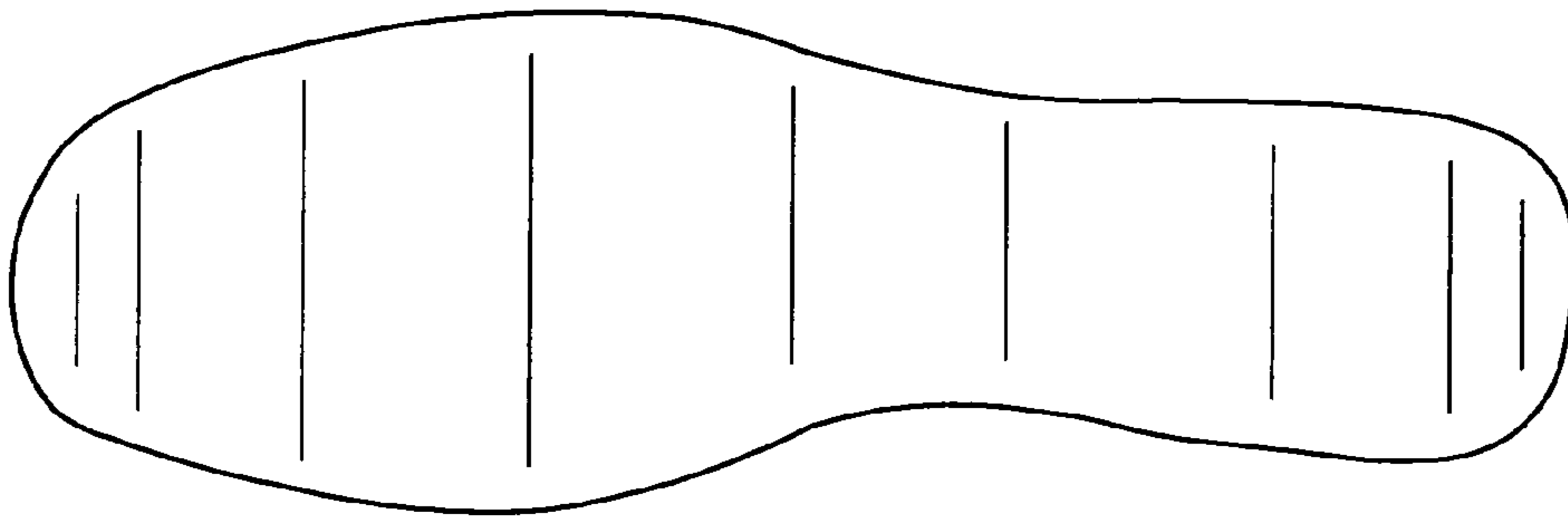


FIG. 3

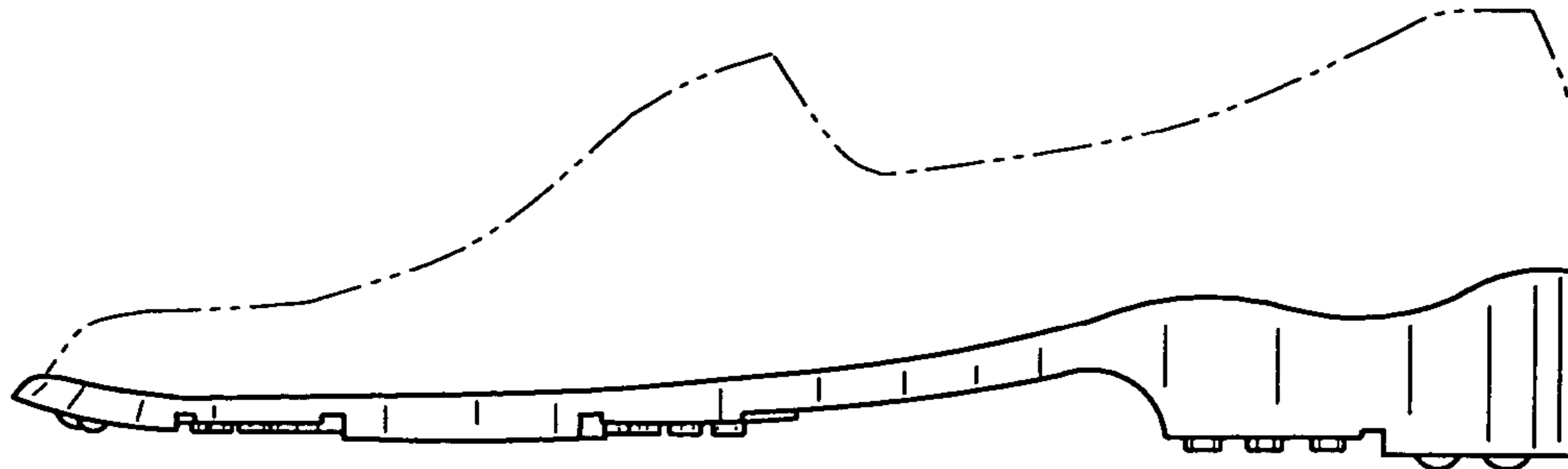


FIG. 4

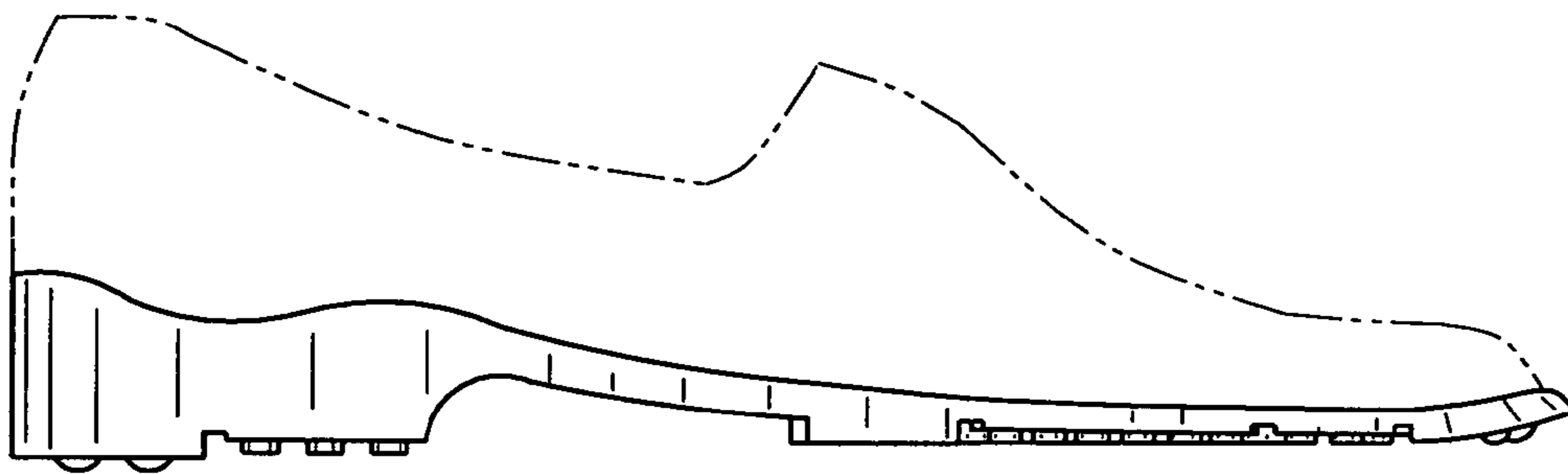


FIG. 5

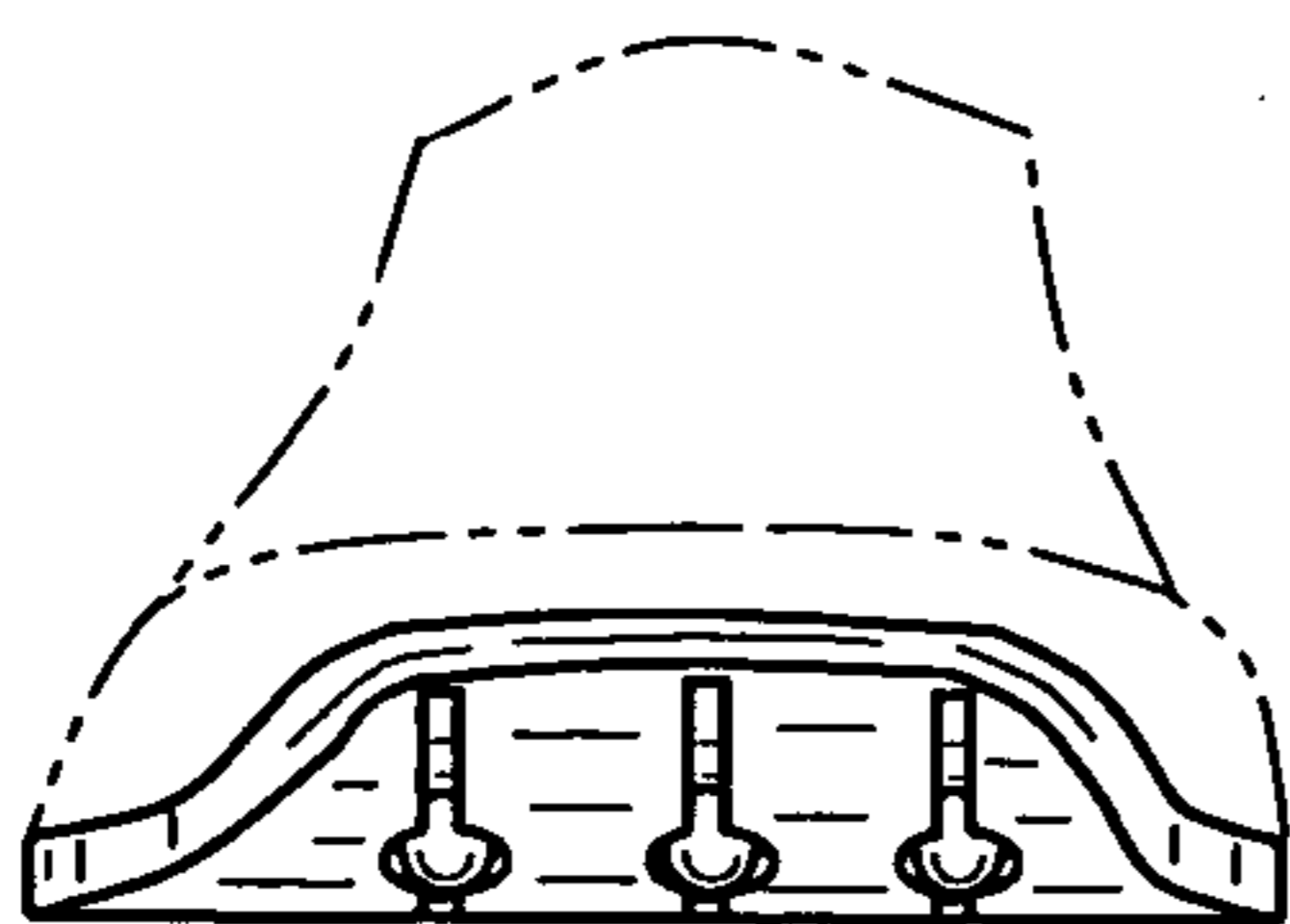


FIG. 6

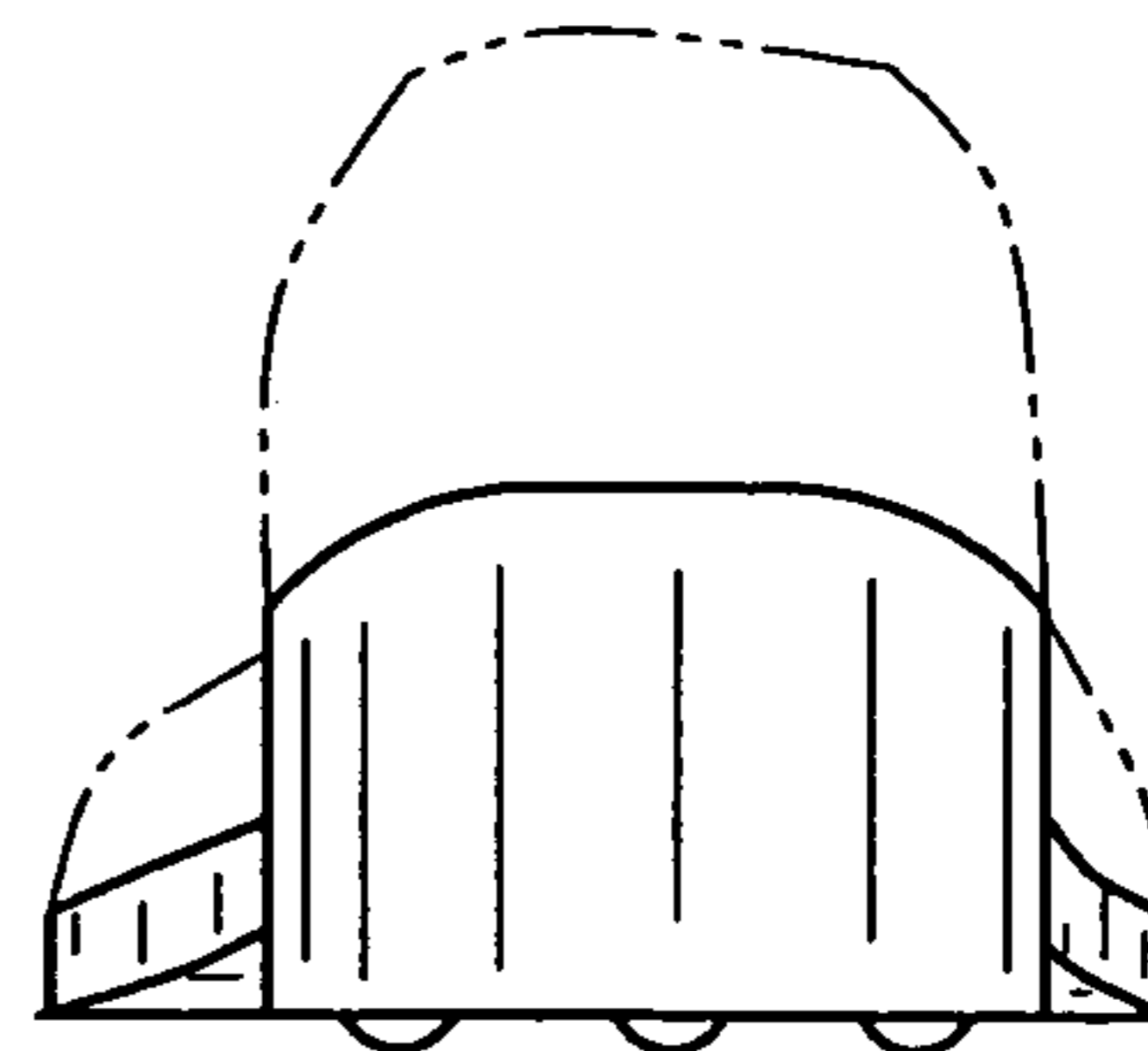


FIG. 7