



US00D586524S

(12) **United States Design Patent**
Mertes

(10) **Patent No.:** **US D586,524 S**

(45) **Date of Patent:** **** Feb. 10, 2009**

(54) **BOX SUPPORT AND LIFT ASSEMBLY**

D576,375 S * 9/2008 Carnevali D34/28
7,438,301 B2 * 10/2008 Schilling et al. 280/79.7

(76) Inventor: **Anthony J. Mertes**, 7912 Kerber Blvd.,
Chanhasen, MN (US) 55317

* cited by examiner

(**) Term: **14 Years**

Primary Examiner—Cynthia E Ramirez

(74) *Attorney, Agent, or Firm*—Richard John Bartz

(21) Appl. No.: **29/308,750**

(57) **CLAIM**

(22) Filed: **Jul. 7, 2008**

The ornamental design for a box support and lift assembly, as shown and described.

(51) **LOC (9) Cl.** **12-05**

(52) **U.S. Cl.** **D34/28**

(58) **Field of Classification Search** D34/28,
D34/33; 414/785, 917, 343, 546, 558, 921;
254/2 R, 8 R, 126; 187/204, 207, 218, 200,
187/208

DESCRIPTION

See application file for complete search history.

FIG. 1 is a left front perspective view of the box support and lift assembly of my new design;

FIG. 2 is an enlarged side elevational view of the left side thereof;

FIG. 3 is an enlarged side elevational view of the right side thereof;

FIG. 4 is a right front perspective view of the box support and lift assembly of FIG. 1;

FIG. 5 is an enlarged front elevational view thereof;

FIG. 6 is an enlarged rear elevational view thereof;

FIG. 7 is an enlarged top plan view thereof; and,

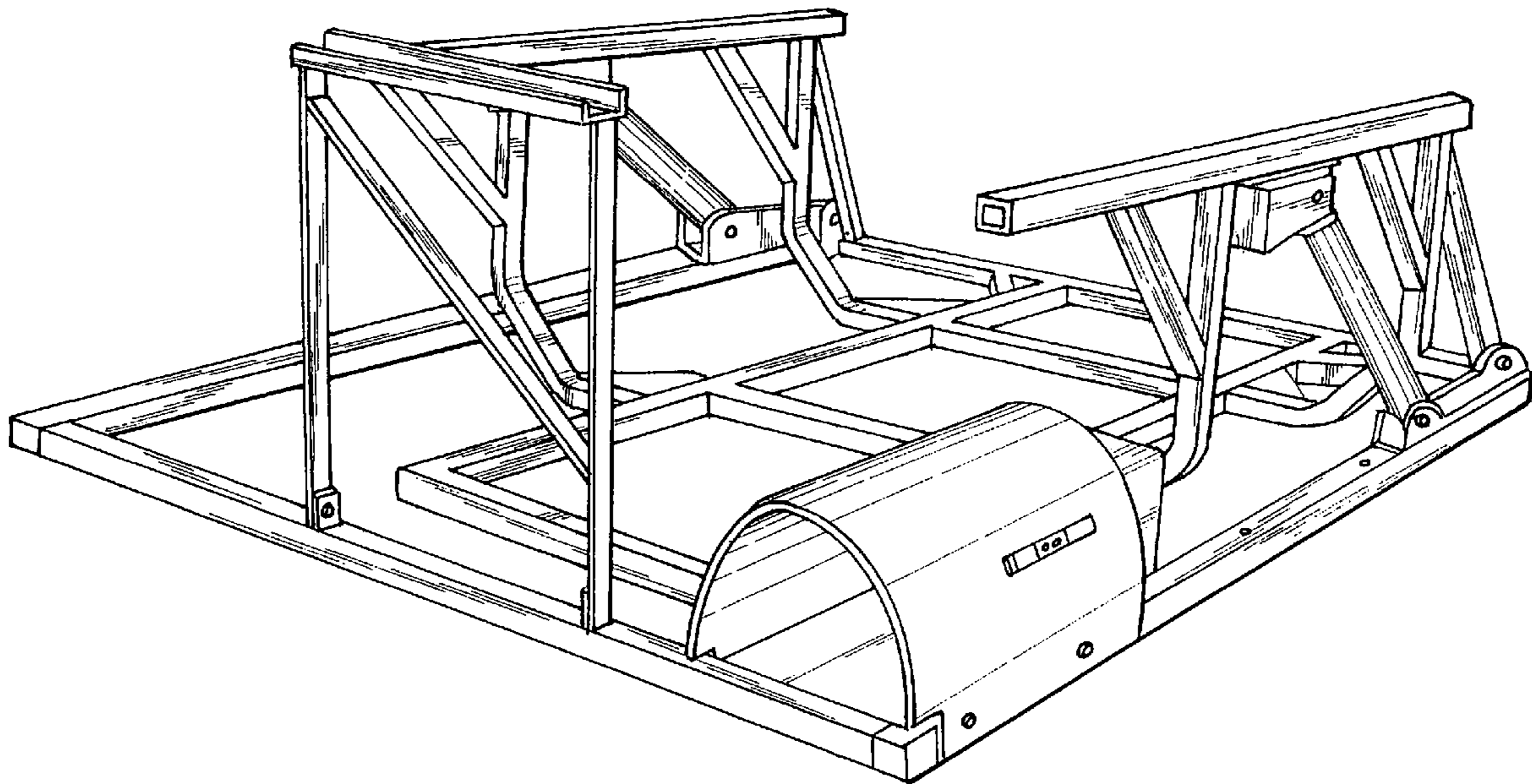
FIG. 8 is an enlarged bottom plan view thereof.

(56) **References Cited**

U.S. PATENT DOCUMENTS

2,342,934	A *	2/1944	Grundon, et al.	414/642
3,881,689	A *	5/1975	Bury et al.	254/45
5,395,202	A *	3/1995	Peters	414/495
D378,155	S *	2/1997	Bartow et al.	D34/28
5,624,225	A *	4/1997	Cox	414/495
D439,719	S *	3/2001	Kleinschmidt	D34/17
D468,512	S *	1/2003	Hernandez	D34/28
D529,252	S *	9/2006	Wu	D34/24
D538,002	S *	3/2007	Kuhn	D34/28

1 Claim, 7 Drawing Sheets



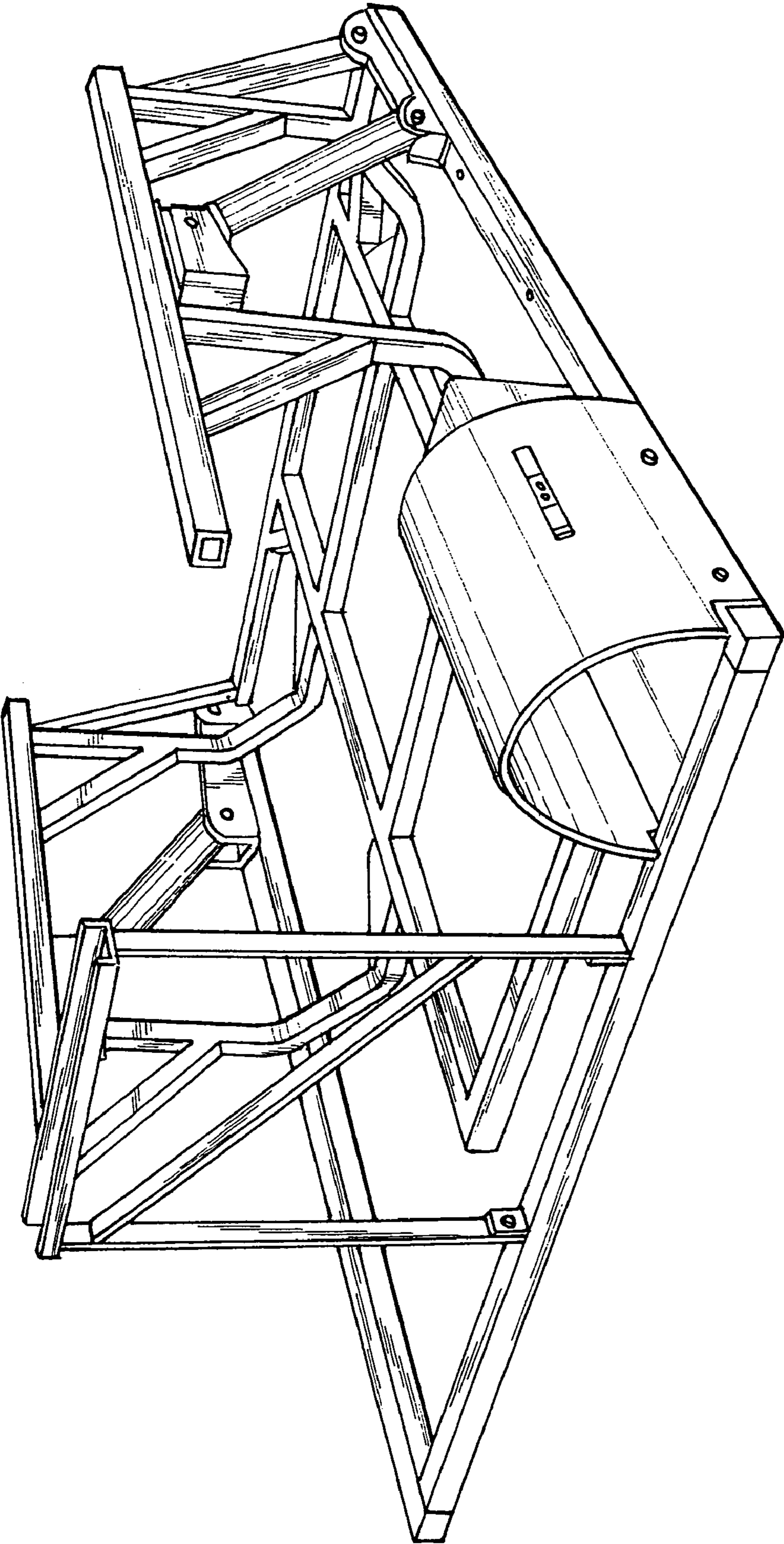


FIG. 1

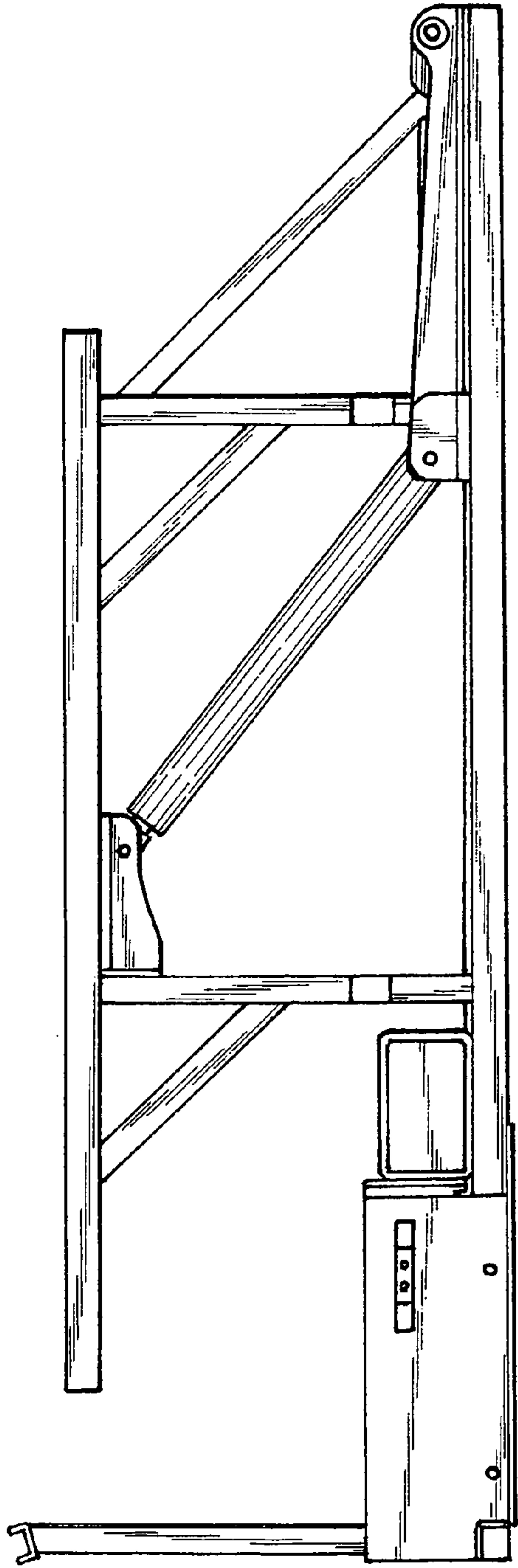


FIG. 2

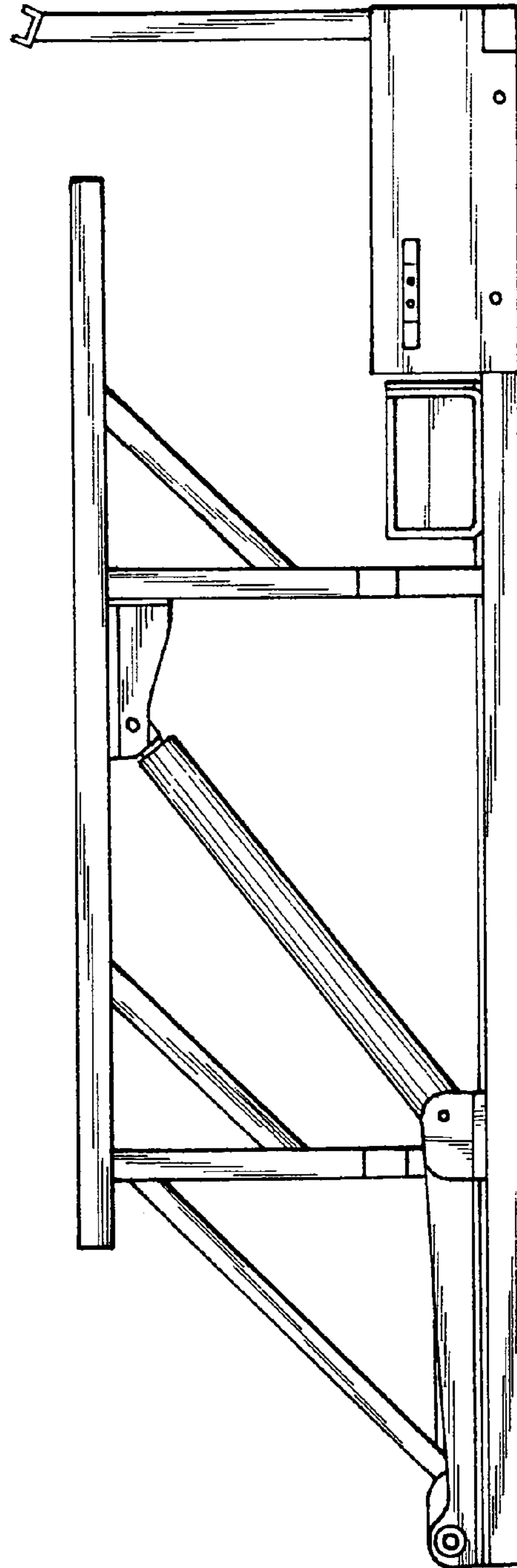


FIG. 3

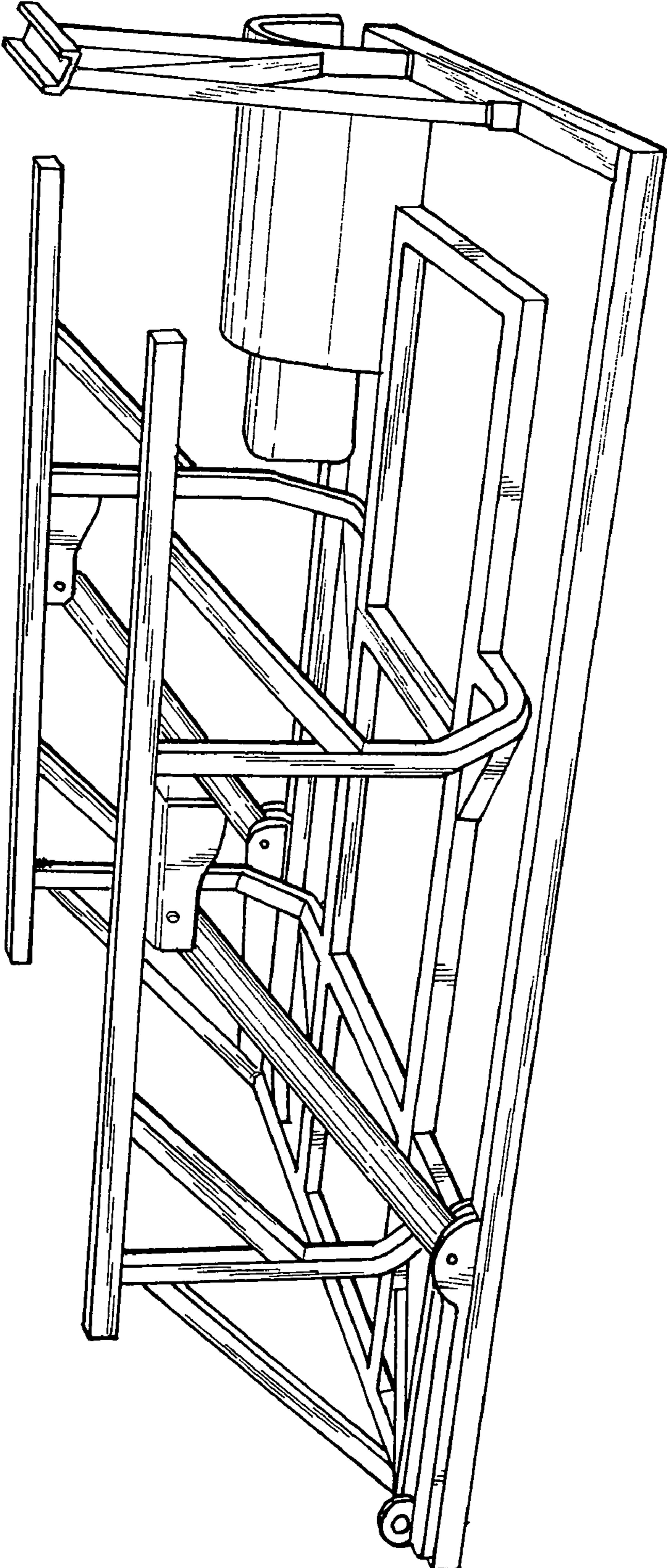


FIG. 4

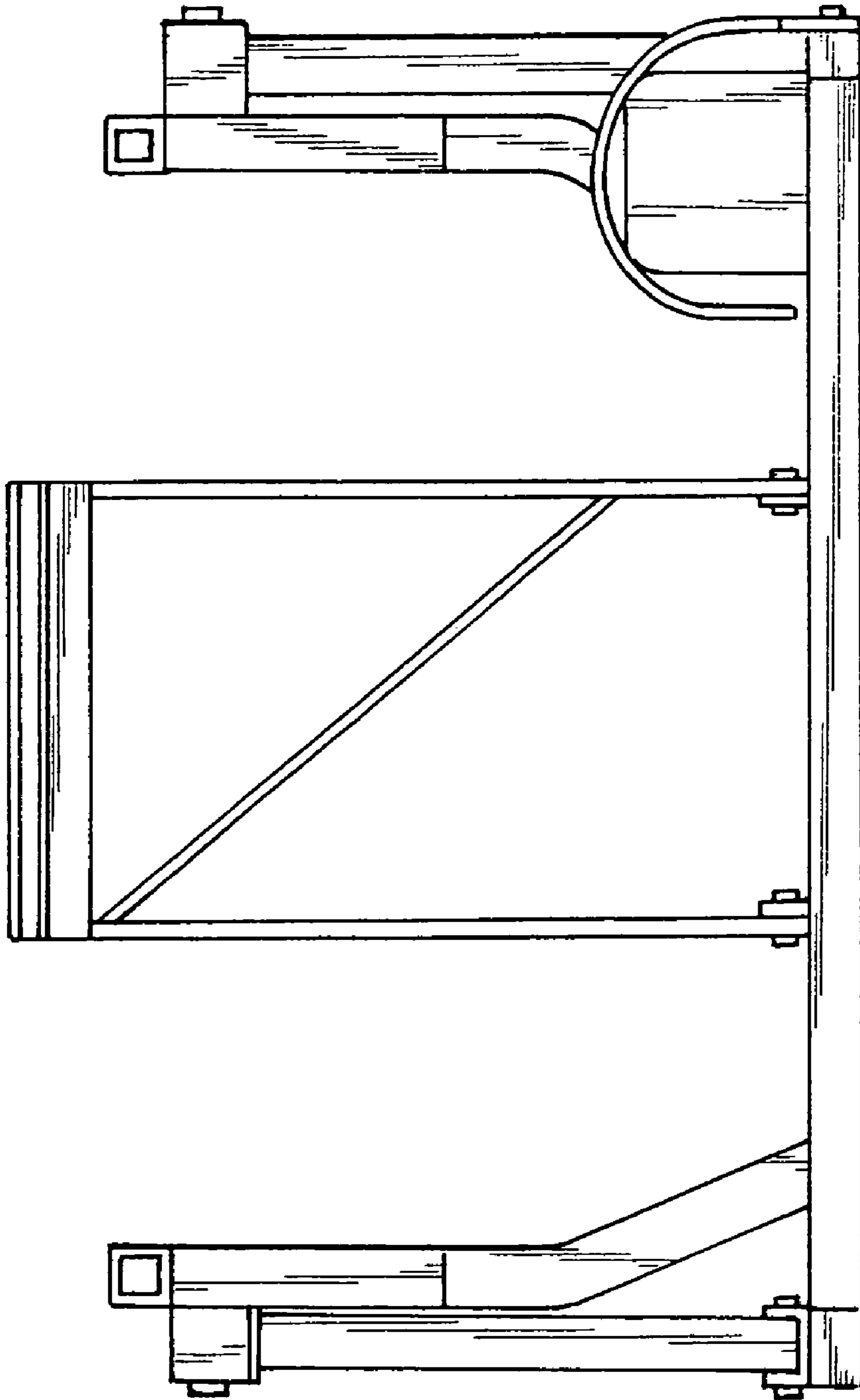


FIG. 5

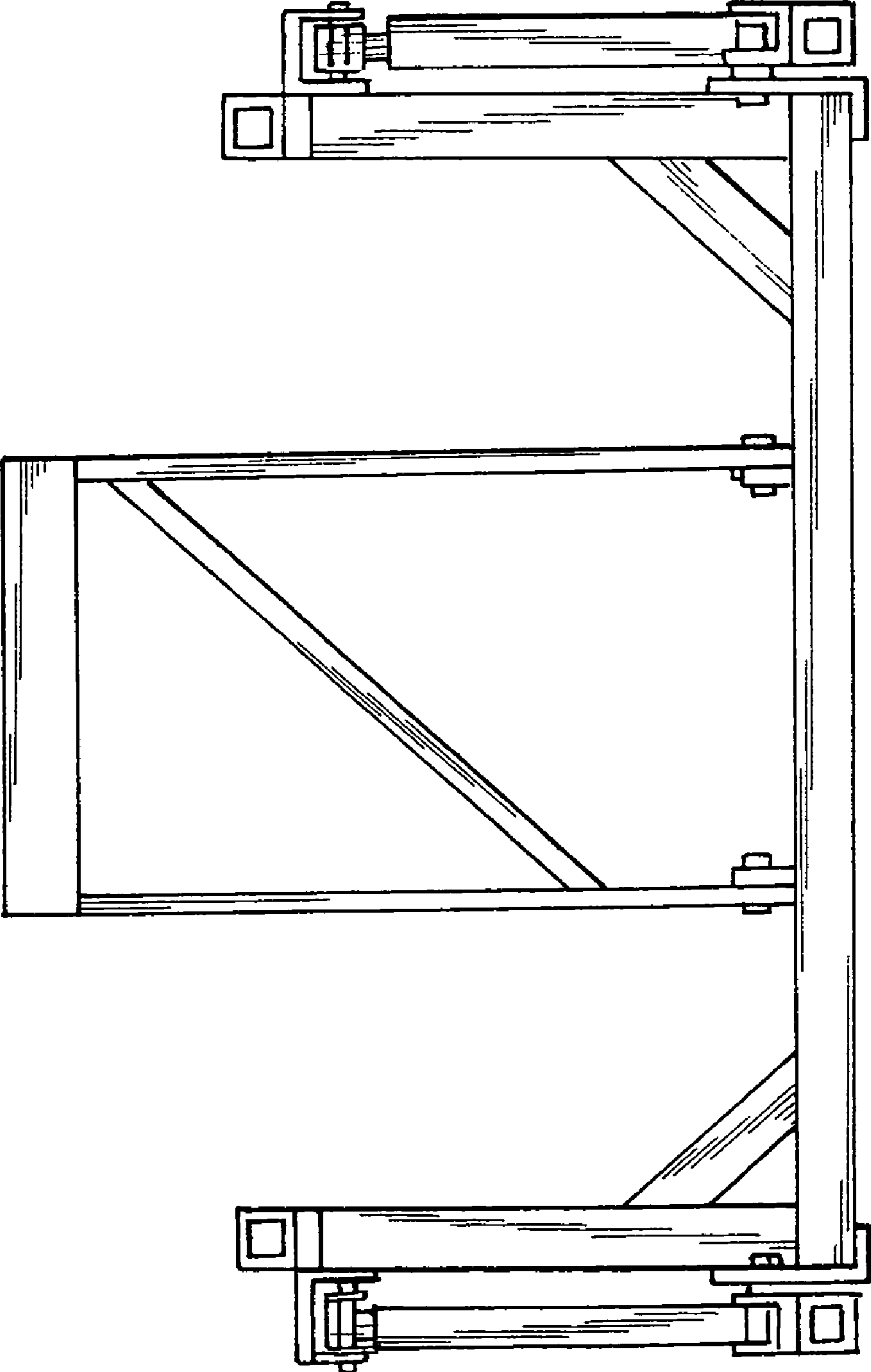


FIG. 6

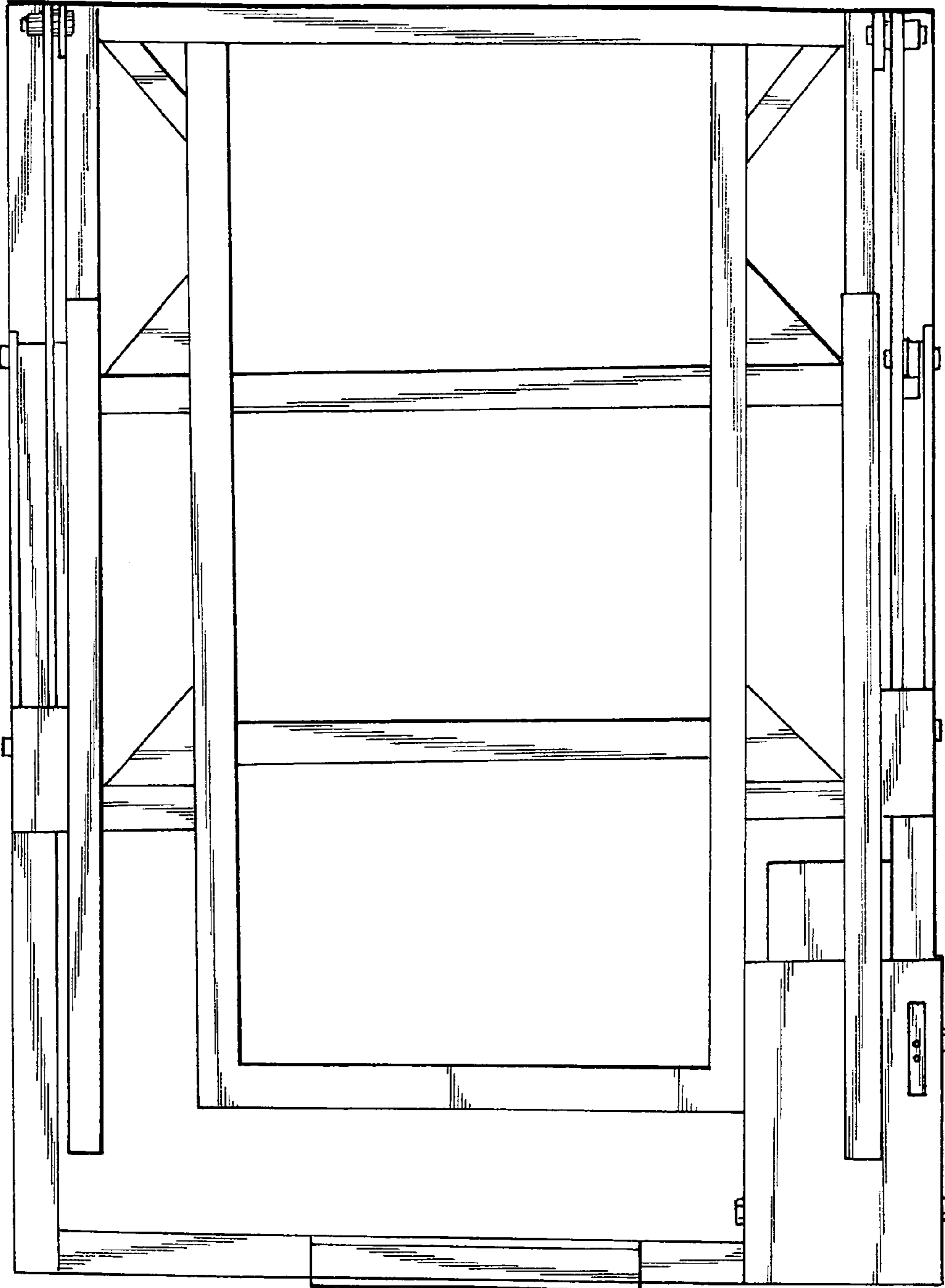


FIG. 7

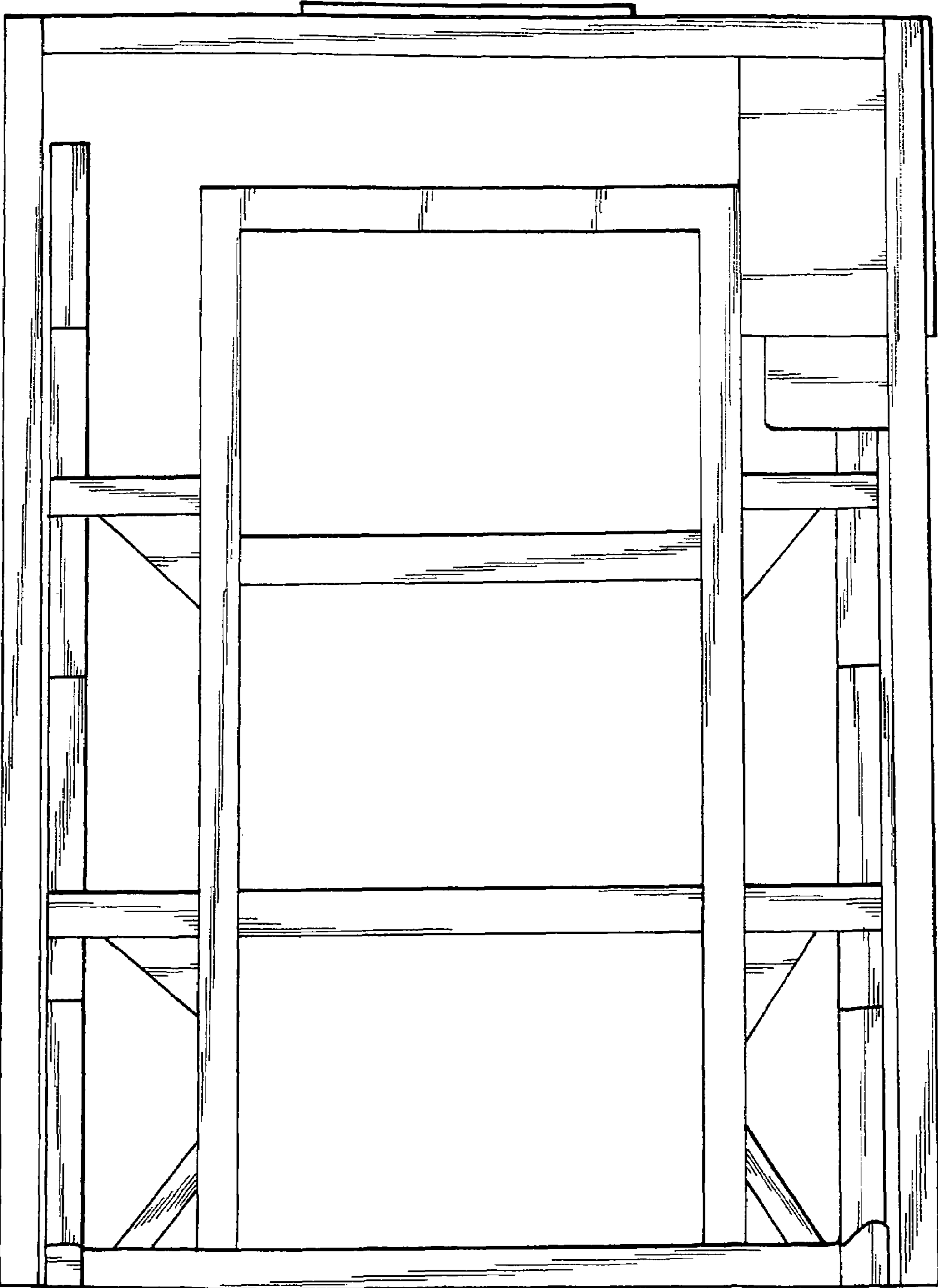


FIG. 8