



US00D586522S

(12) **United States Design Patent**
Liao

(10) **Patent No.:** **US D586,522 S**

(45) **Date of Patent:** **** Feb. 10, 2009**

(54) **GOLF CART**

(75) Inventor: **Gordon Liao**, Yung Kang (TW)

(73) Assignee: **Unique Product & Design Co., Ltd.**,
Tainan Hsien (TW)

(**) Term: **14 Years**

(21) Appl. No.: **29/305,907**

(22) Filed: **Mar. 31, 2008**

(51) **LOC (9) Cl.** **12-13**

(52) **U.S. Cl.** **D34/15**

(58) **Field of Classification Search** D34/12-27;
280/646, 652, 47.24, 47.26, 654, 655, 39,
280/40, 79.11, 33.991, 33.992, 33.993; 180/19.1,
180/19.3

See application file for complete search history.

(56) **References Cited**

U.S. PATENT DOCUMENTS

6,698,789	B2 *	3/2004	Reimers et al.	280/651
D493,018	S *	7/2004	Liao	D34/15
6,969,078	B2 *	11/2005	Liao	280/38
7,000,928	B2 *	2/2006	Liao	280/38
D549,421	S *	8/2007	Liao	D34/15
D574,571	S *	8/2008	Liao	D34/15

2004/0135331	A1 *	7/2004	Liao	280/47.2
2004/0195806	A1 *	10/2004	Reimers et al.	280/651
2006/0192366	A1 *	8/2006	Kimberley	280/651
2006/0226617	A1 *	10/2006	Lin	280/47.17

* cited by examiner

Primary Examiner—Cynthia E Ramirez

(74) *Attorney, Agent, or Firm*—Alan Kamrath; Kamrath & Associates PA

(57) **CLAIM**

The ornamental design for the golf cart, as shown and described.

DESCRIPTION

FIG. 1 is a perspective view of a golf cart showing my new design;

FIG. 2 is a front elevational view thereof;

FIG. 3 is a rear elevational view thereof;

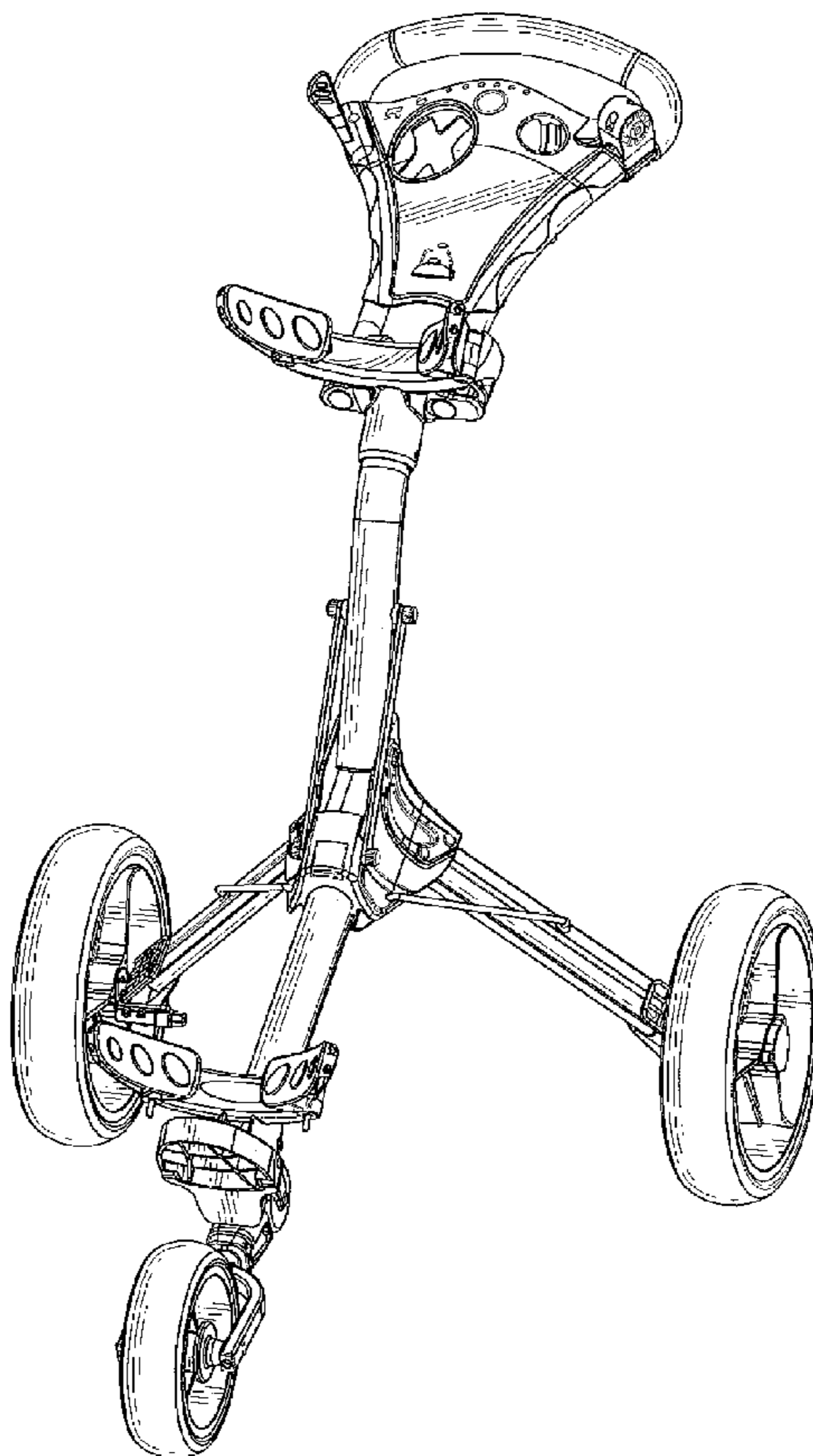
FIG. 4 is a left side elevational view thereof;

FIG. 5 is a right side elevational view thereof;

FIG. 6 is a top plan view thereof; and,

FIG. 7 is a bottom plan view thereof.

1 Claim, 7 Drawing Sheets



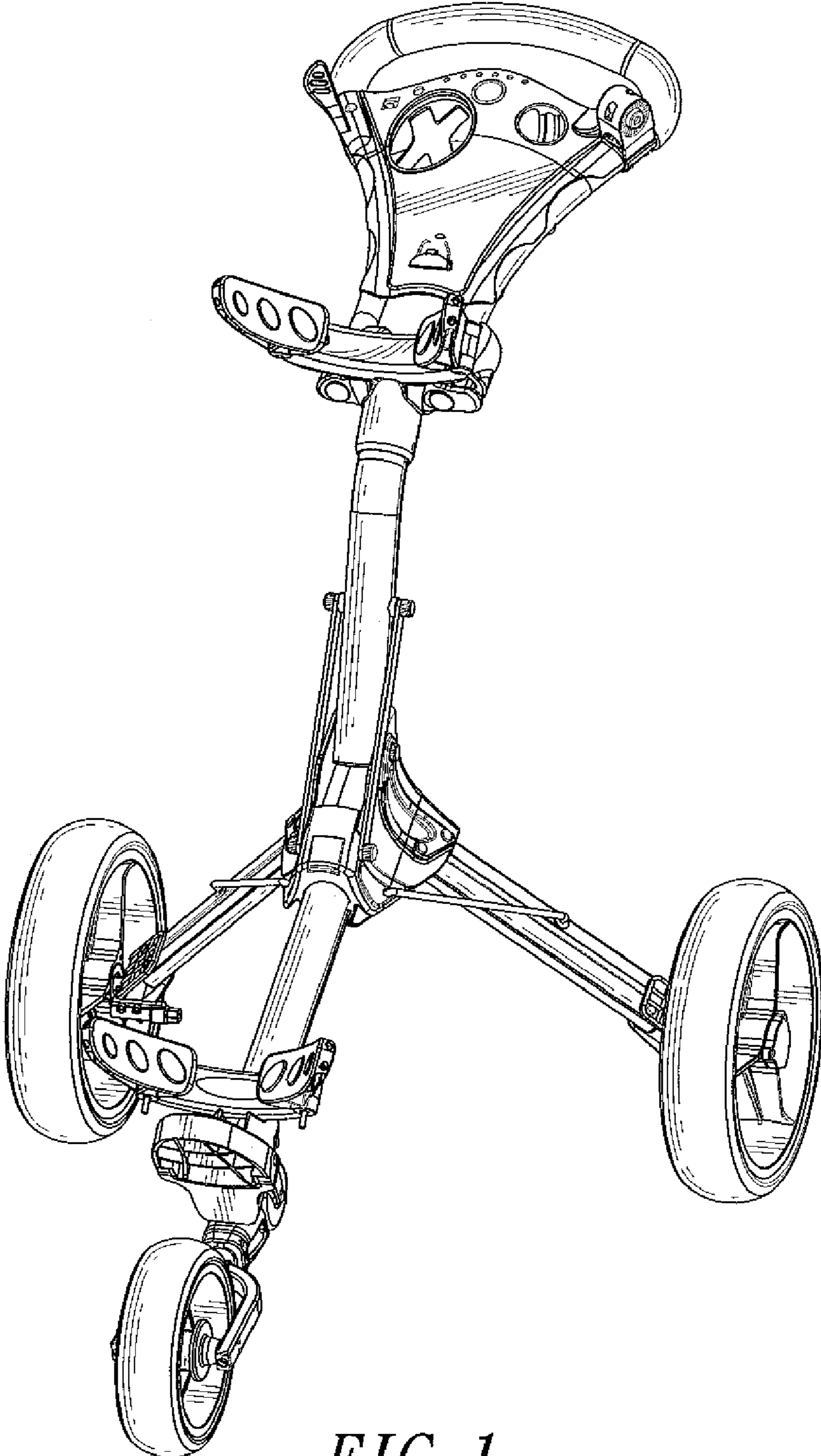


FIG. 1

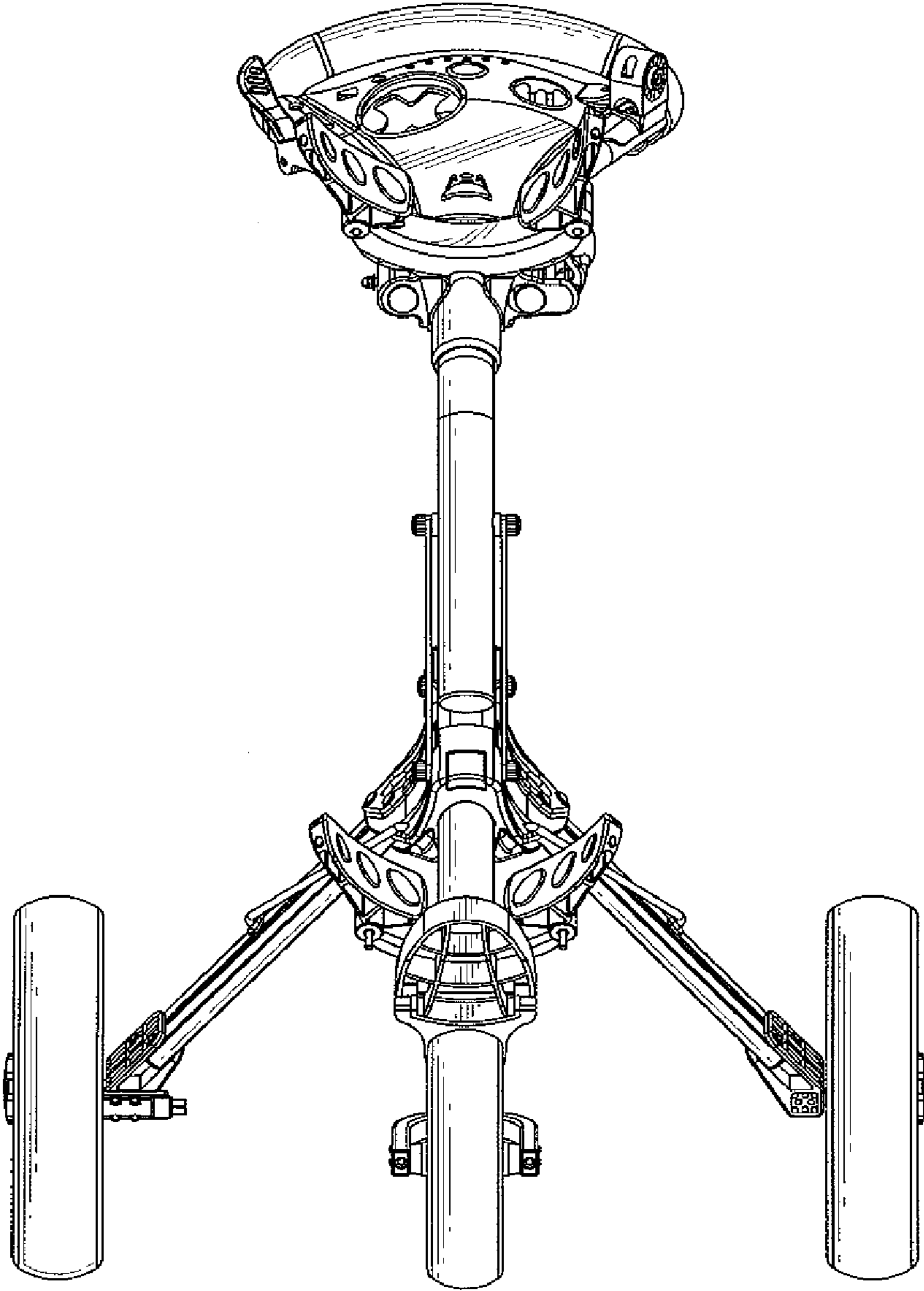


FIG. 2

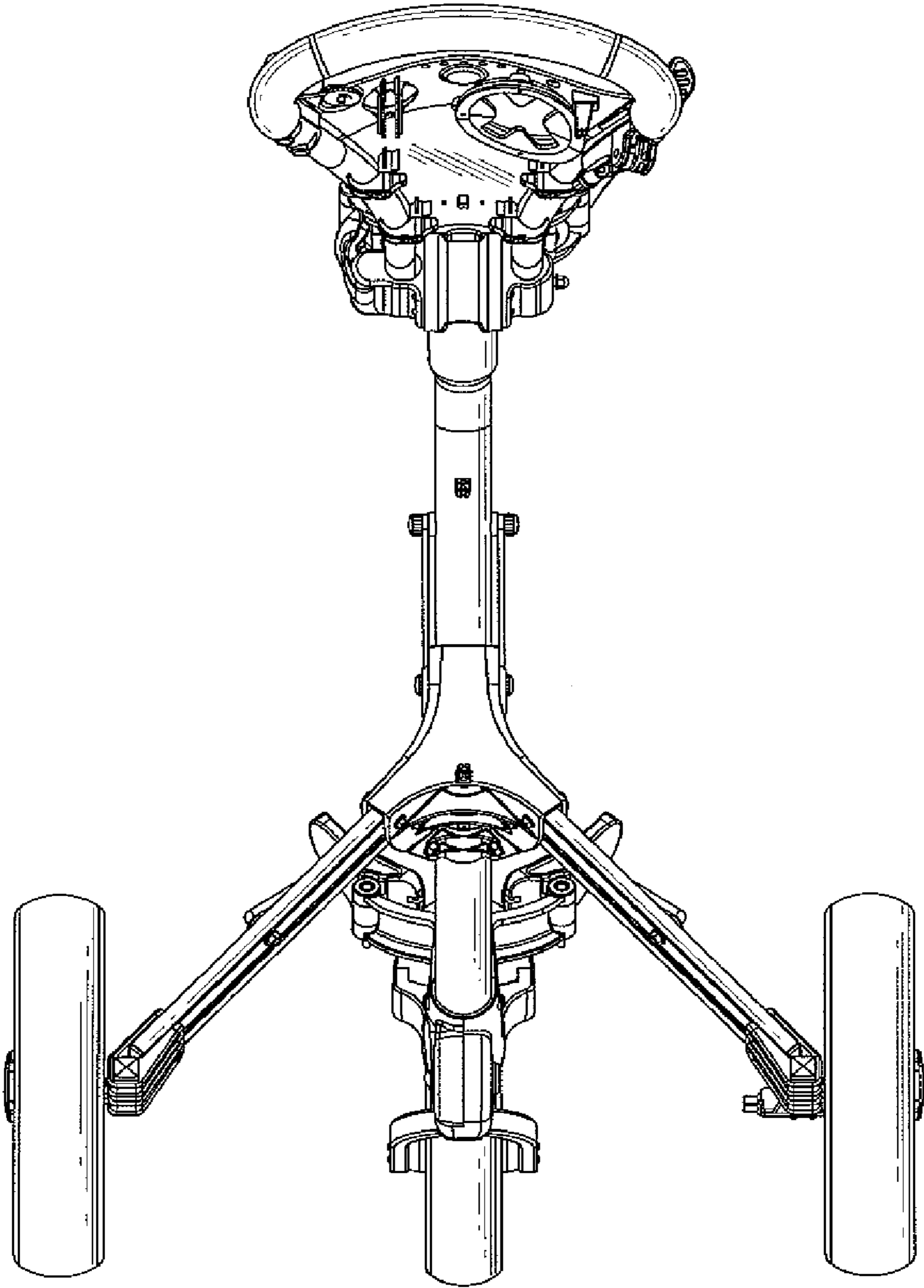


FIG. 3

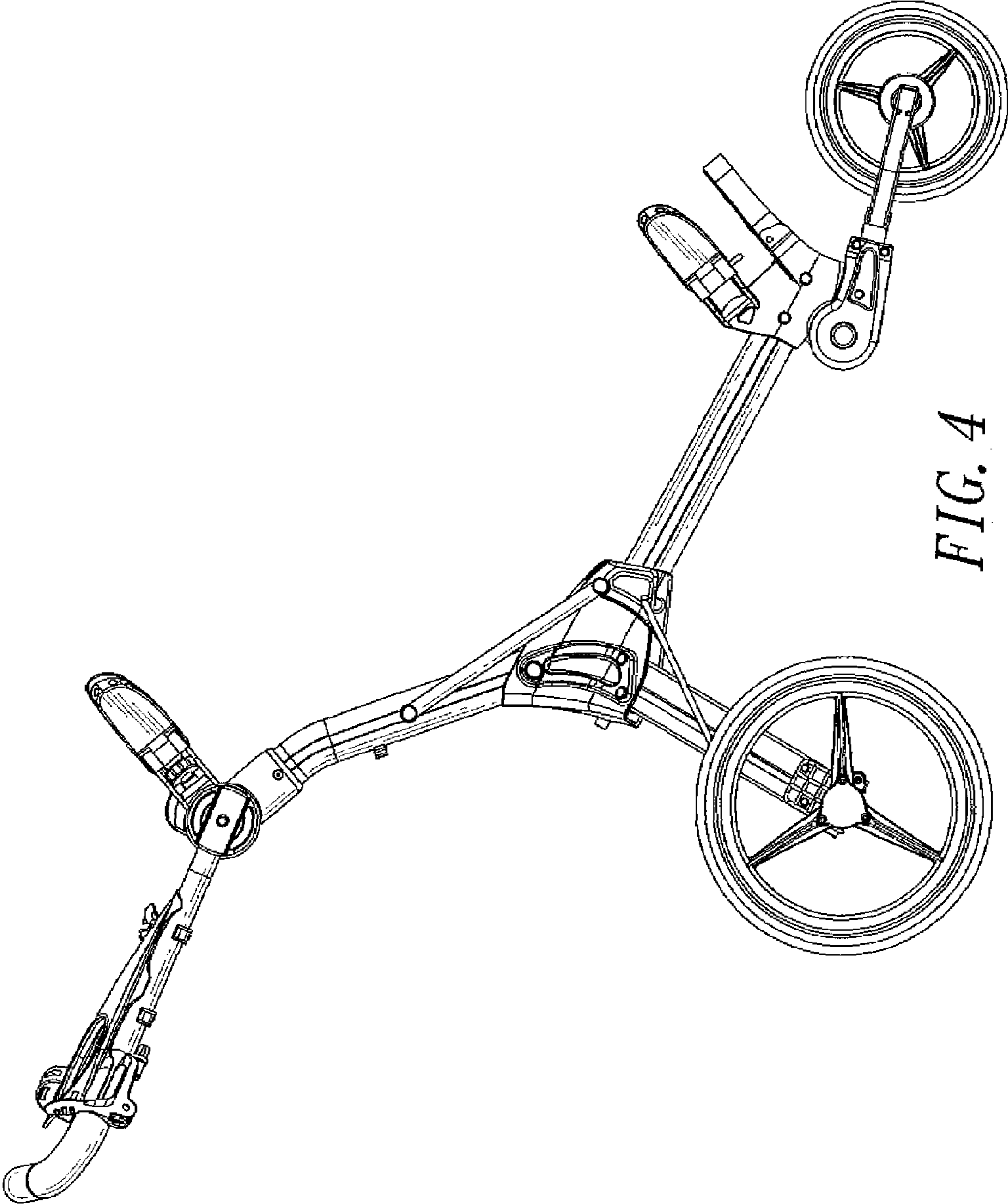


FIG. 4

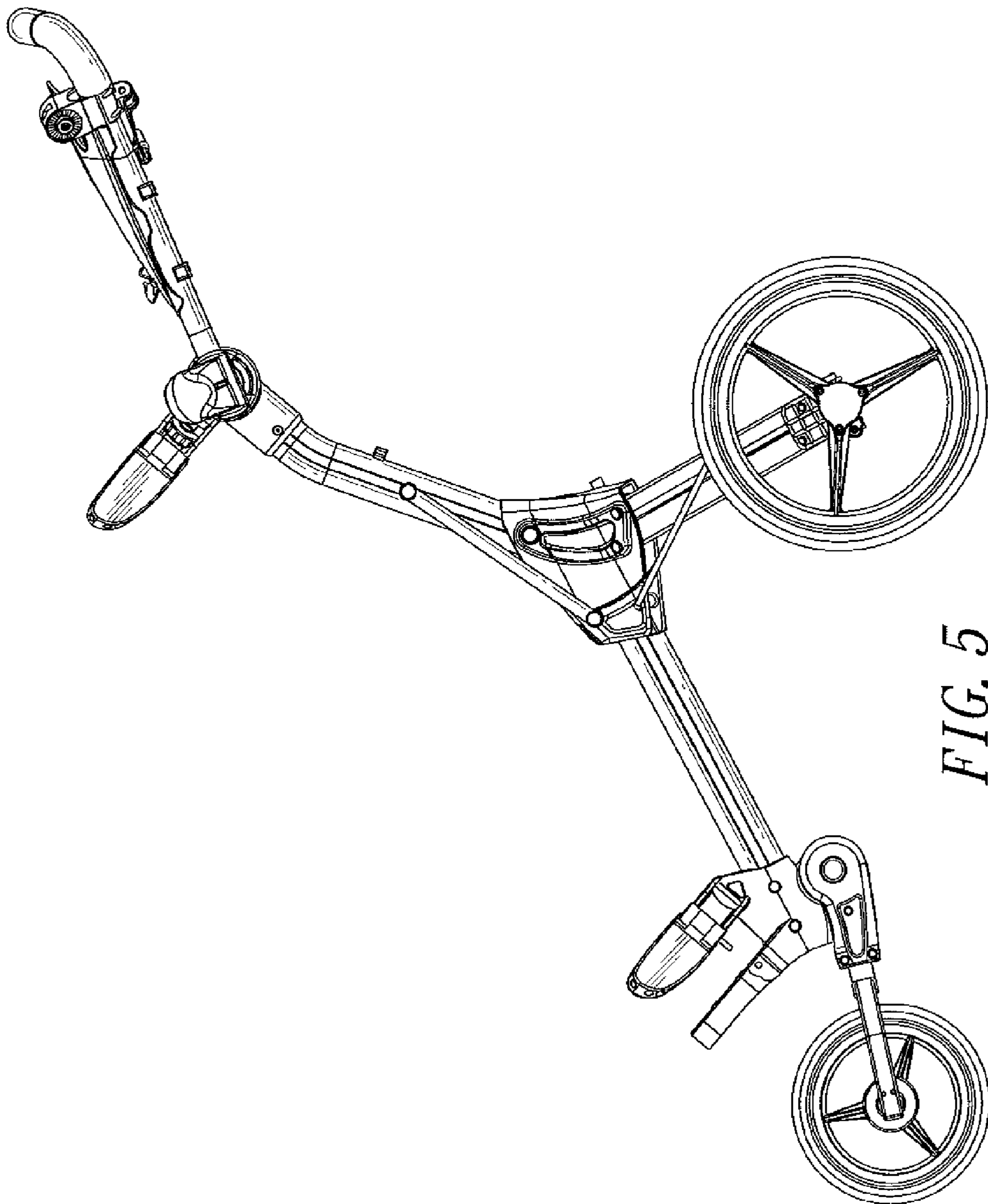


FIG. 5

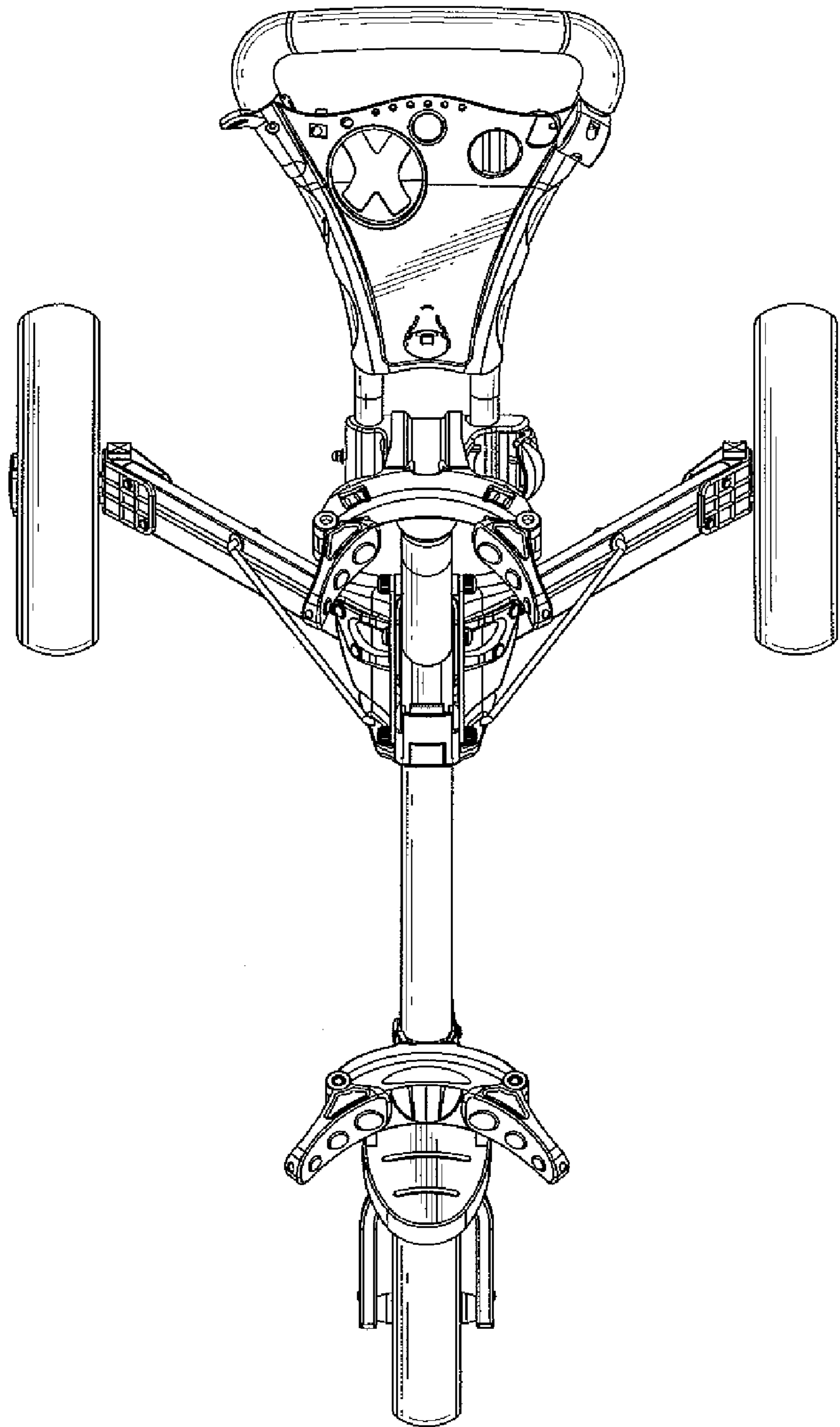


FIG. 6

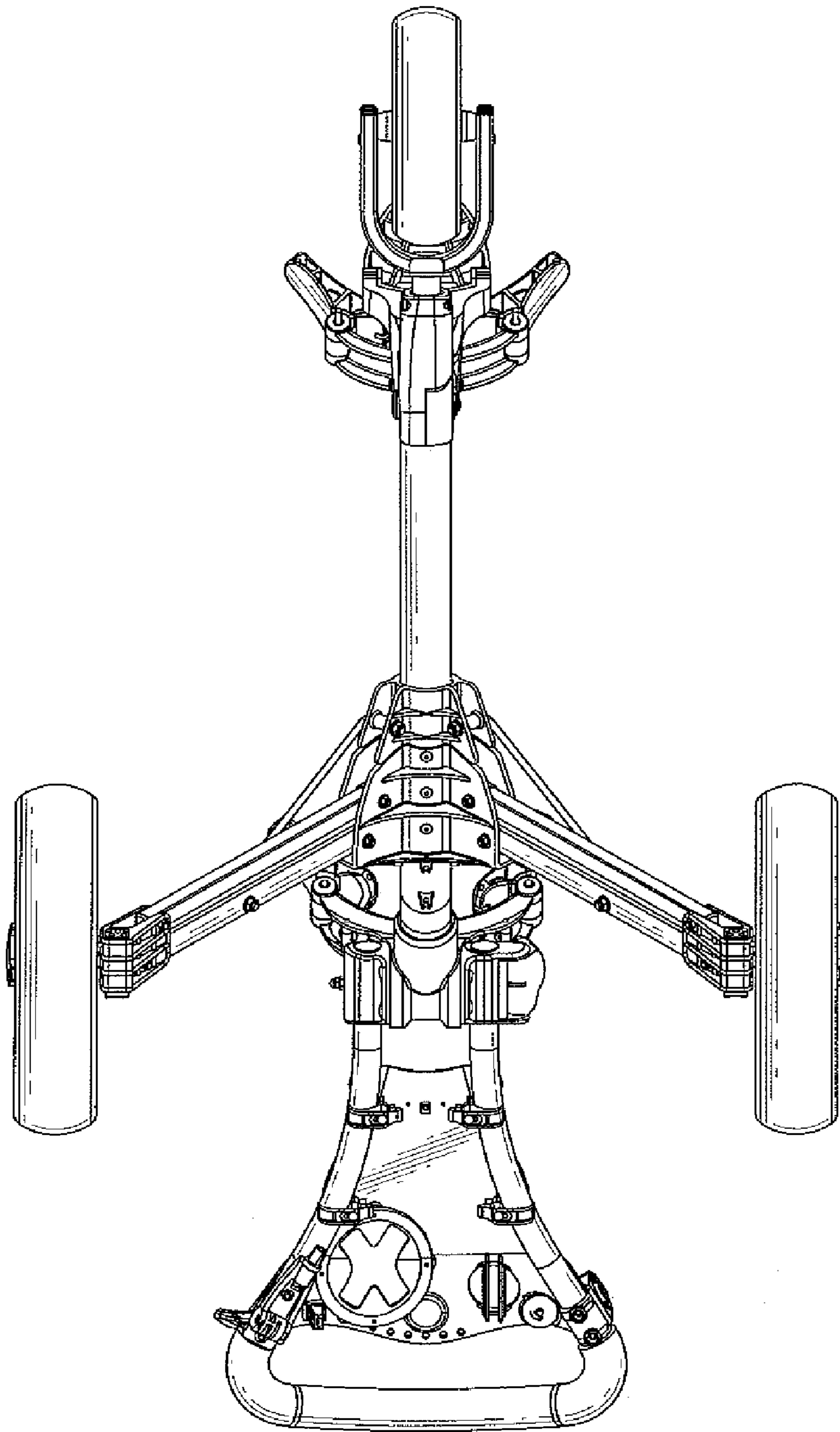


FIG. 7