



US00D586521S

(12) **United States Design Patent**
Pho et al.

(10) **Patent No.:** **US D586,521 S**
(45) **Date of Patent:** **** Feb. 10, 2009**

(54) **LID FOR CONTAINER**

(75) Inventors: **Ashley Perry Zang Wentz Pho**,
Winchester, VA (US); **Thomas Perelli**,
Winchester, VA (US)

(73) Assignee: **Rubbermaid Commercial Products**
LLC, Winchester, VA (US)

(**) Term: **14 Years**

(21) Appl. No.: **29/302,856**

(22) Filed: **Jan. 25, 2008**

(51) **LOC (9) Cl.** **09-09**

(52) **U.S. Cl.** **D34/11**

(58) **Field of Classification Search** D34/1-11;
220/908-913, 675, 253, 200; D9/434, 435,
D9/436, 499

See application file for complete search history.

(56) **References Cited**

U.S. PATENT DOCUMENTS

4,729,489	A *	3/1988	Papaianni	220/23.8
D324,933	S *	3/1992	Giacobe et al.	D34/7
D332,681	S *	1/1993	Waterson et al.	D34/7
D344,381	S *	2/1994	Martin et al.	D34/7
5,390,813	A *	2/1995	Anderson et al.	220/495.11
D466,666	S *	12/2002	Vize	D34/7
D481,509	S *	10/2003	Perelli	D34/11

* cited by examiner

Primary Examiner—Cynthia E Ramirez

(74) *Attorney, Agent, or Firm*—Foley & Lardner LLP

(57) **CLAIM**

The ornamental design for a lid for container, as shown and described.

DESCRIPTION

FIG. 1 is a top frontal perspective view of a lid for container according to my new design;

FIG. 2 is a front view of the lid for container shown in FIG. 1;

FIG. 3 is a back view of the lid for container shown in FIG. 1;

FIG. 4 is a left side view of the lid for container shown in FIG. 1;

FIG. 5 is a right side view of the lid for container shown in FIG. 1;

FIG. 6 is a top view of the lid for container shown in FIG. 1; and,

FIG. 7 is a bottom view of the lid for container shown in FIG. 1.

The ornamental design which is claimed is shown in solid lines in the drawings. The broken lines in the drawings are for illustrative purposes only and form no part of the claimed design.

1 Claim, 4 Drawing Sheets

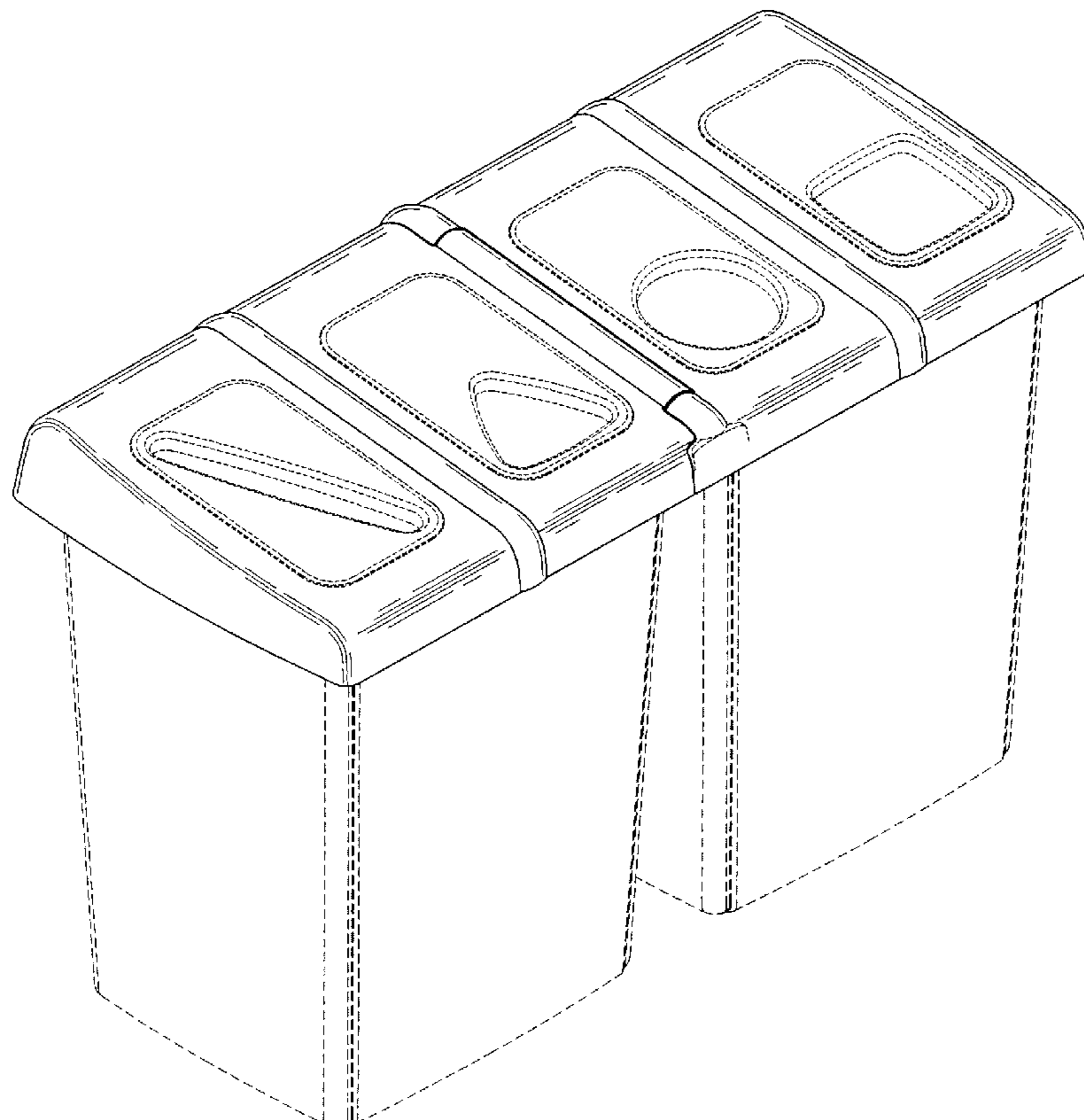


Fig. 1

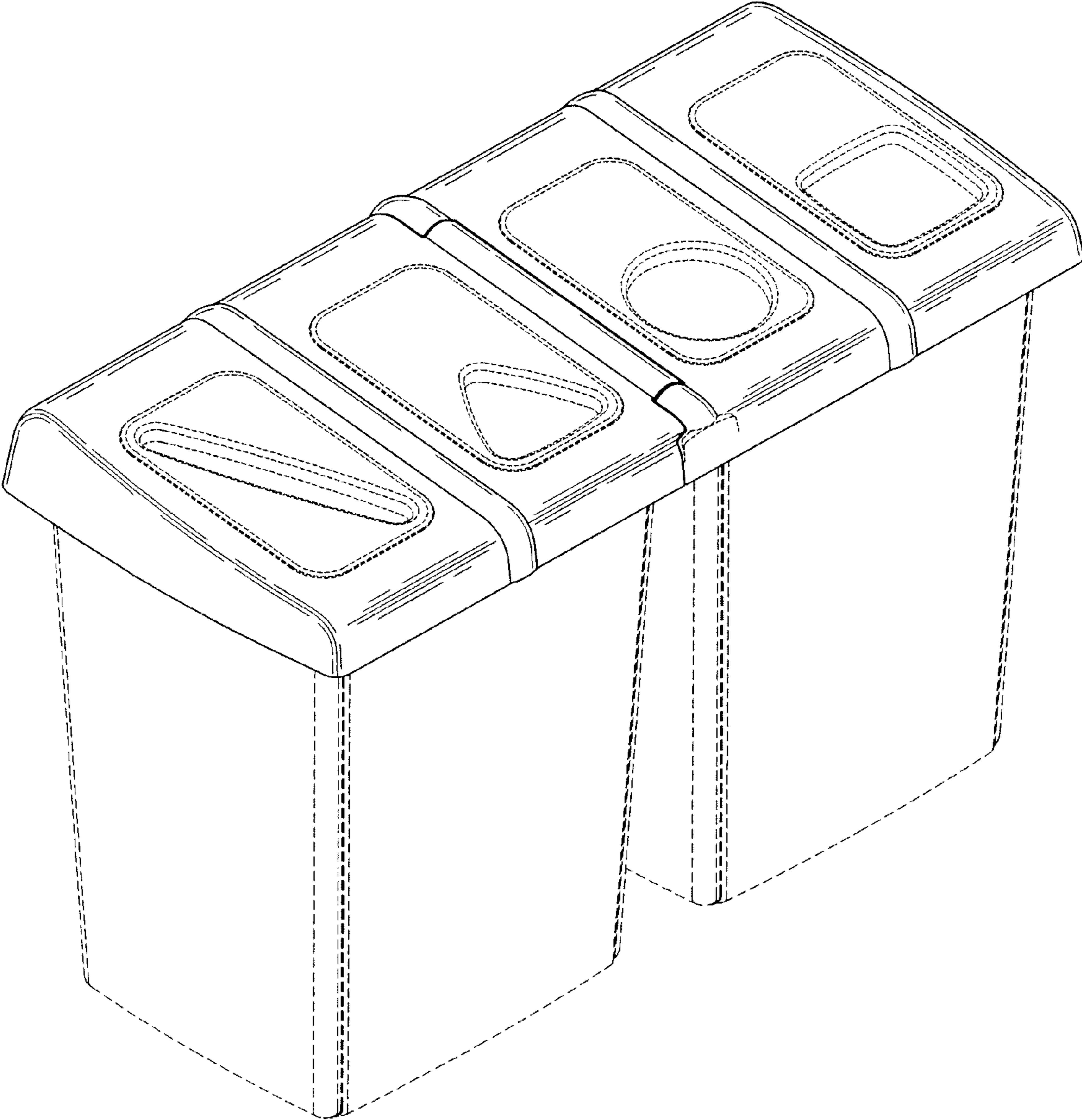


Fig. 2

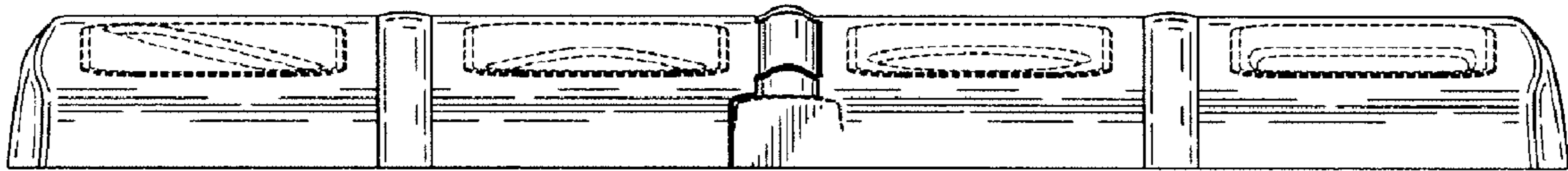


Fig. 3

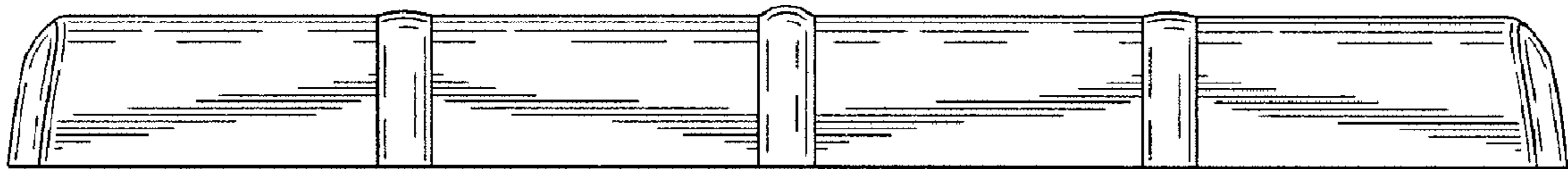


Fig. 4



Fig. 5

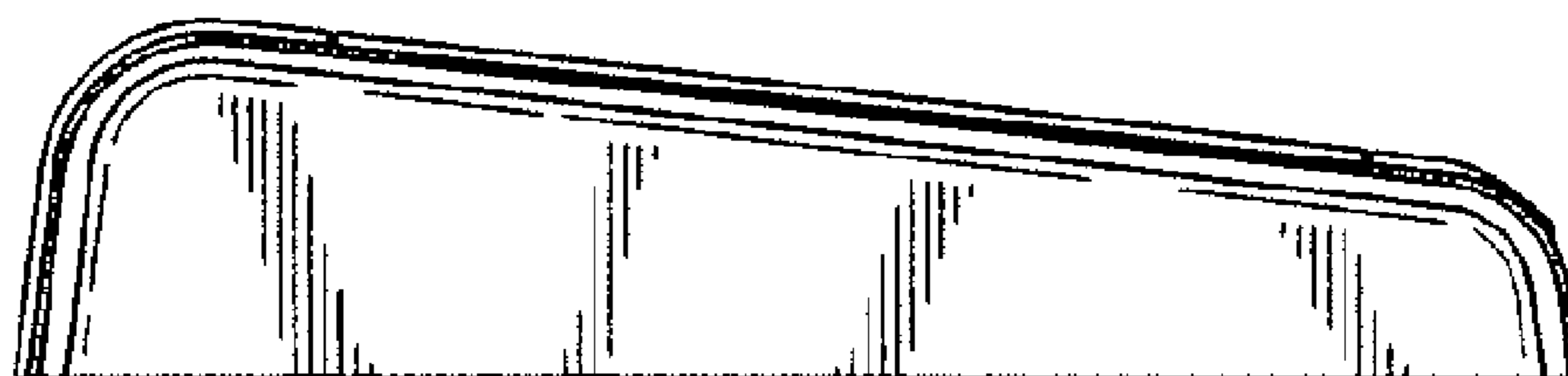


Fig. 6

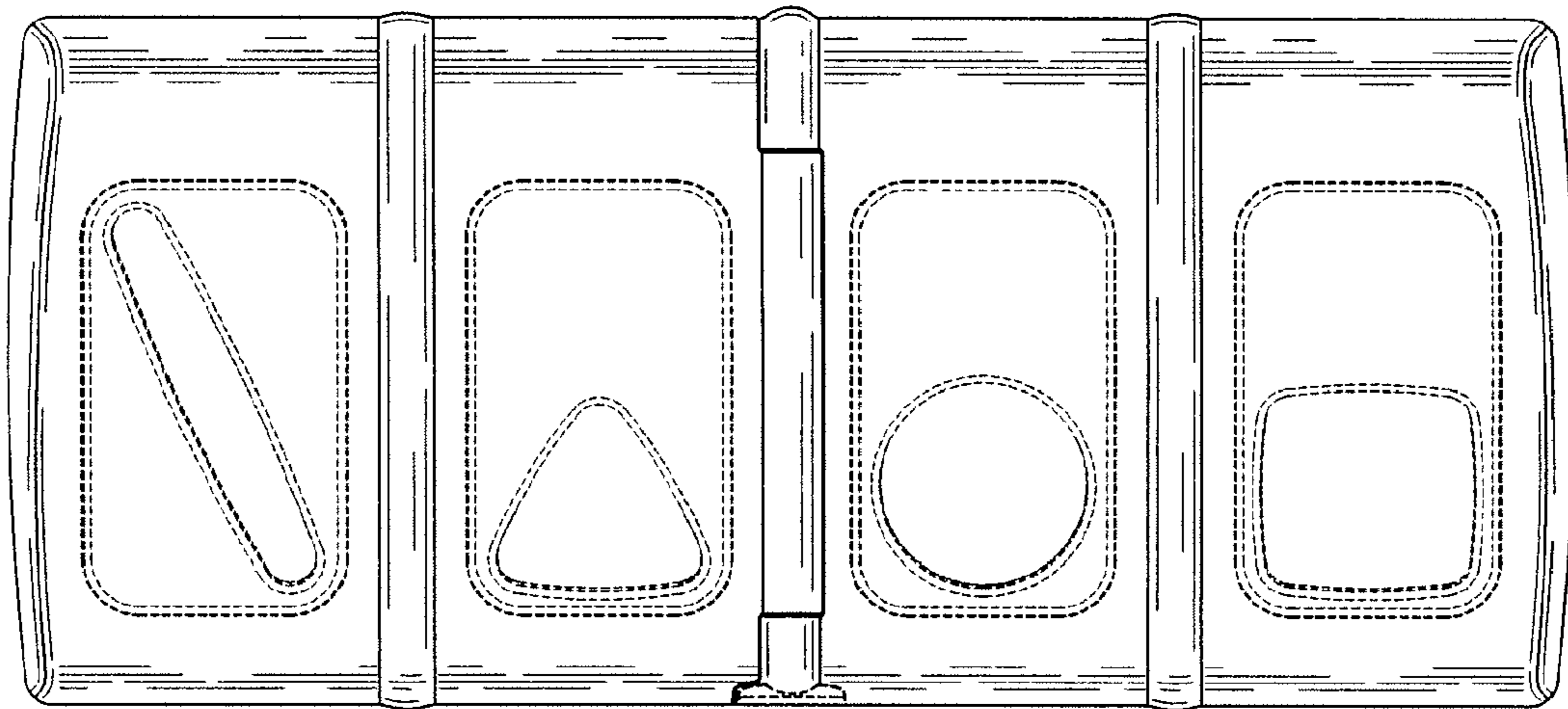


Fig. 7

