



US00D586520S

(12) **United States Design Patent**  
**Shea**

(10) **Patent No.:** **US D586,520 S**

(45) **Date of Patent:** **\*\* Feb. 10, 2009**

(54) **WASTE CONTAINER**

D537,599 S \* 2/2007 Lin ..... D34/7  
D545,374 S \* 6/2007 Gollob ..... D20/6

(75) Inventor: **Donald Lee Shea**, 708 Georgia Ave.,  
Statesville, NC (US) 28677

\* cited by examiner

*Primary Examiner*—Cynthia E Ramirez

(73) Assignee: **Donald Lee Shea**, Statesville, NC (US)

(57) **CLAIM**

(\*\*) Term: **14 Years**

The ornamental design for a waste container, as shown and described.

(21) Appl. No.: **29/273,512**

(22) Filed: **Mar. 7, 2007**

**DESCRIPTION**

(51) **LOC (9) Cl.** ..... **09-09**

FIG. 1 is an isometric view of a waste container showing my new design;

(52) **U.S. Cl.** ..... **D34/7**

FIG. 2 is an isometric view of the base of the container;

(58) **Field of Classification Search** ..... D34/1,  
D34/5, 6, 7, 8, 9, 10, 11; 220/908–913

FIG. 3 is a top isometric view of the cover of the container;

See application file for complete search history.

FIG. 4 is a bottom isometric view of the cover of the container;

(56) **References Cited**

FIG. 5 is a rear elevation view of FIG. 1;

**U.S. PATENT DOCUMENTS**

FIG. 6 is a front elevation view thereof;

2,625,973 A \* 1/1953 Weldon et al. .... 206/459.5

FIG. 7 is a right side elevation view thereof; and,

4,487,331 A \* 12/1984 Hawker ..... 220/495.06

FIG. 8 is a left side elevation view thereof.

D299,391 S \* 1/1989 Meehan ..... D6/440

The base and the cover are being shown separated in FIGS. 2, 3 and 4 for convenience of illustration.

D322,701 S \* 12/1991 Siewert ..... D34/5

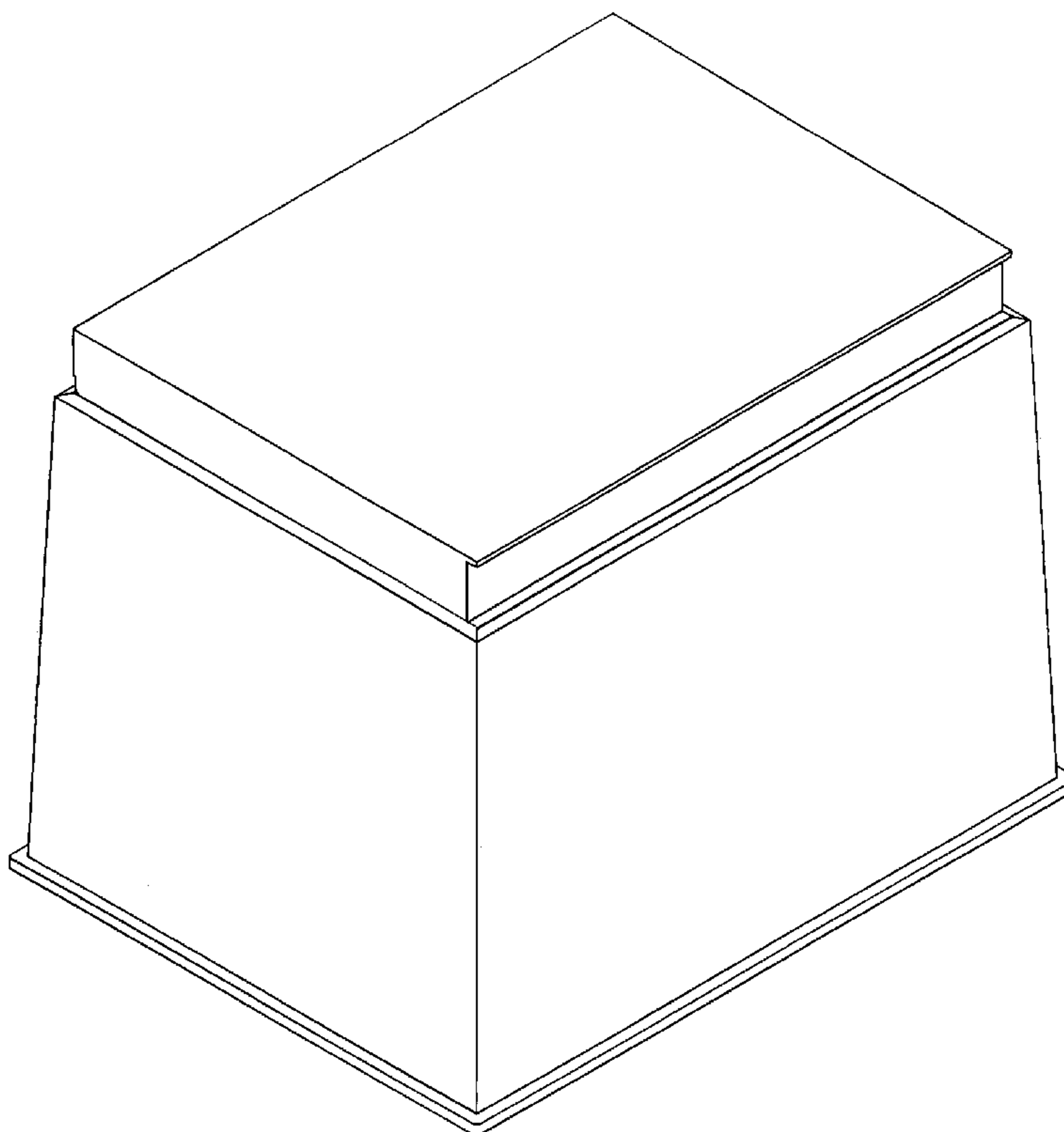
5,628,424 A \* 5/1997 Gola ..... 220/495.07

5,984,134 A \* 11/1999 Mario ..... 220/661

D448,133 S \* 9/2001 Windle ..... D34/1

D535,799 S \* 1/2007 Epps ..... D34/7

**1 Claim, 5 Drawing Sheets**



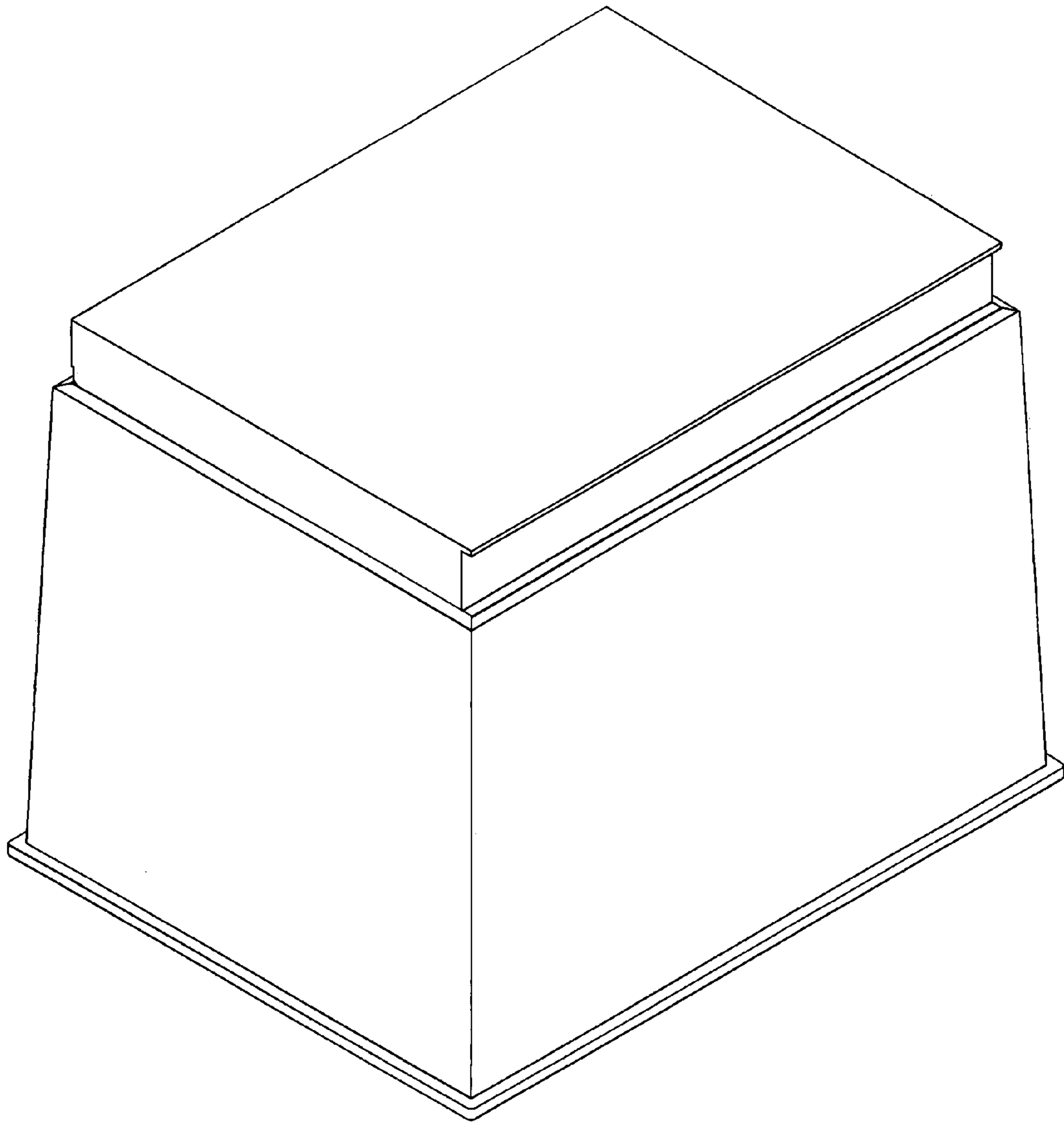


FIG. 1

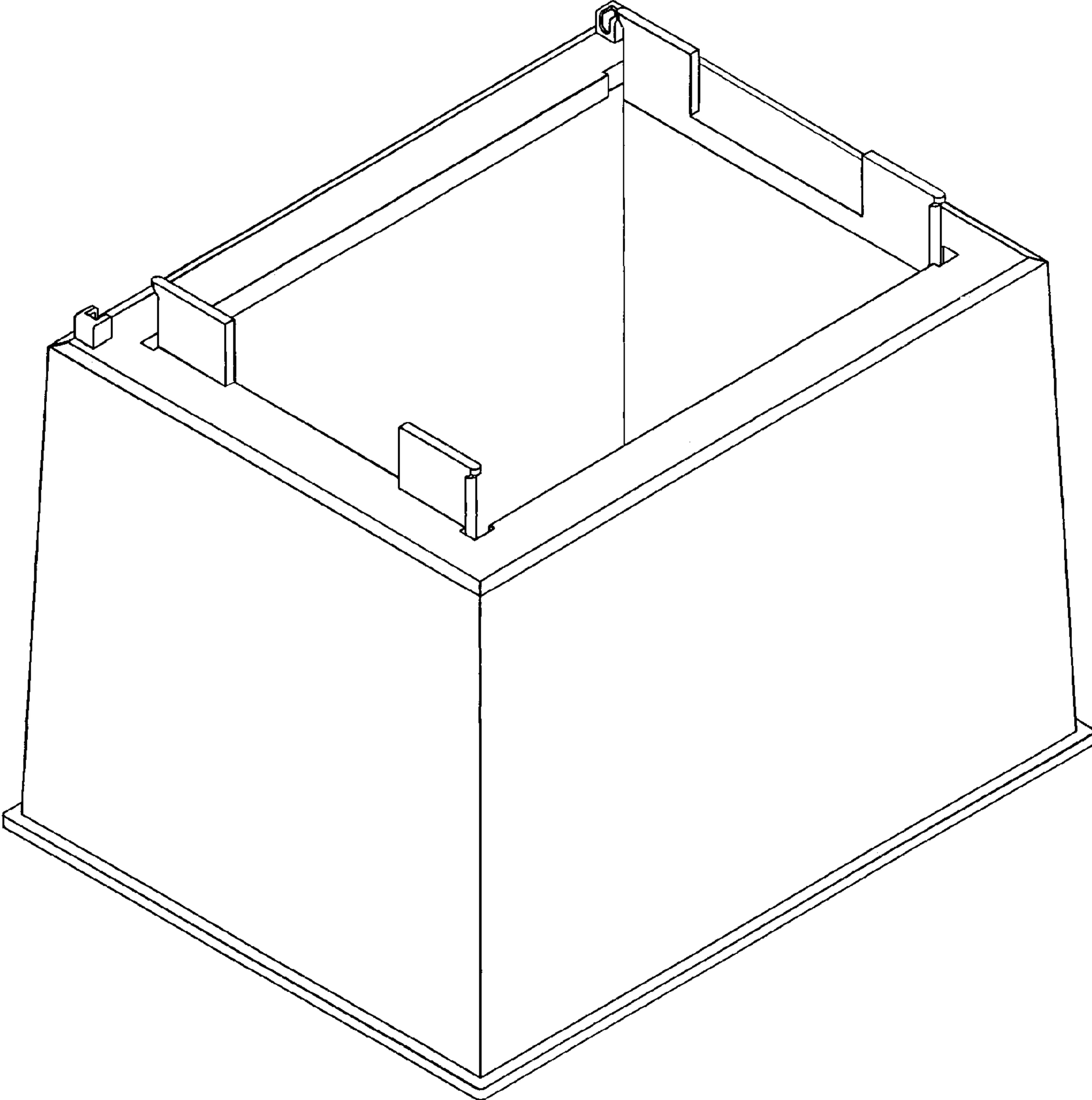
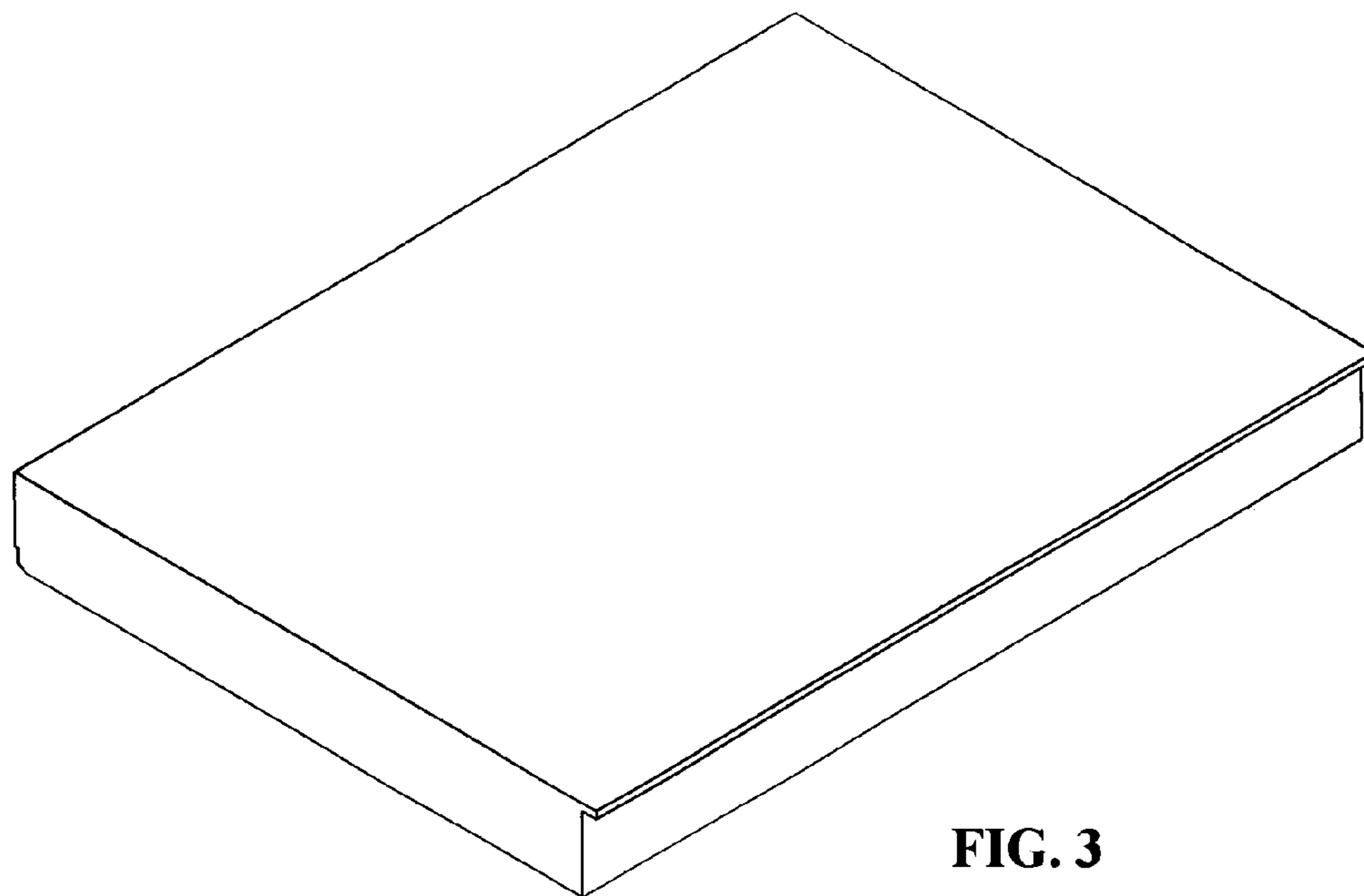
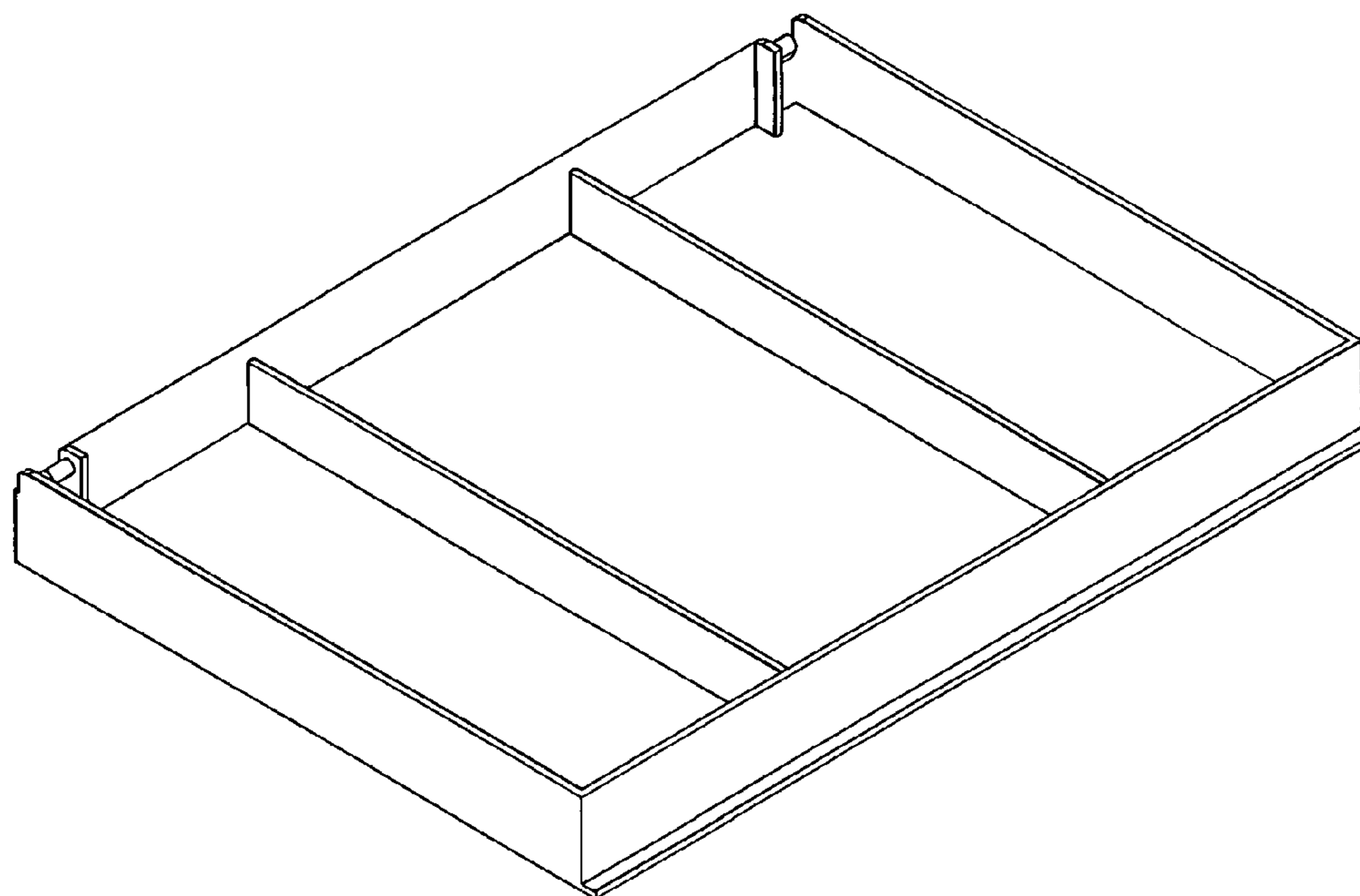


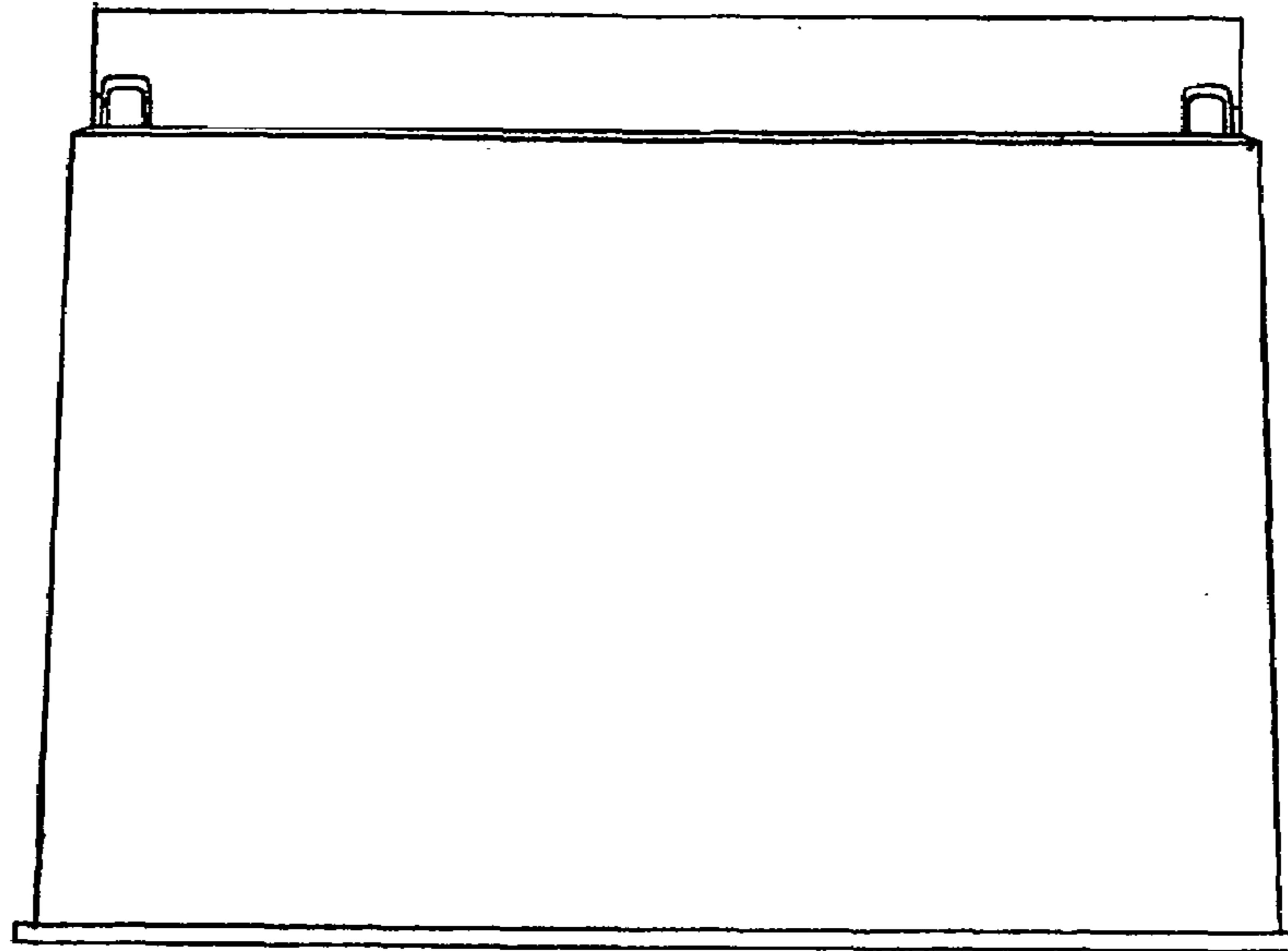
FIG. 2



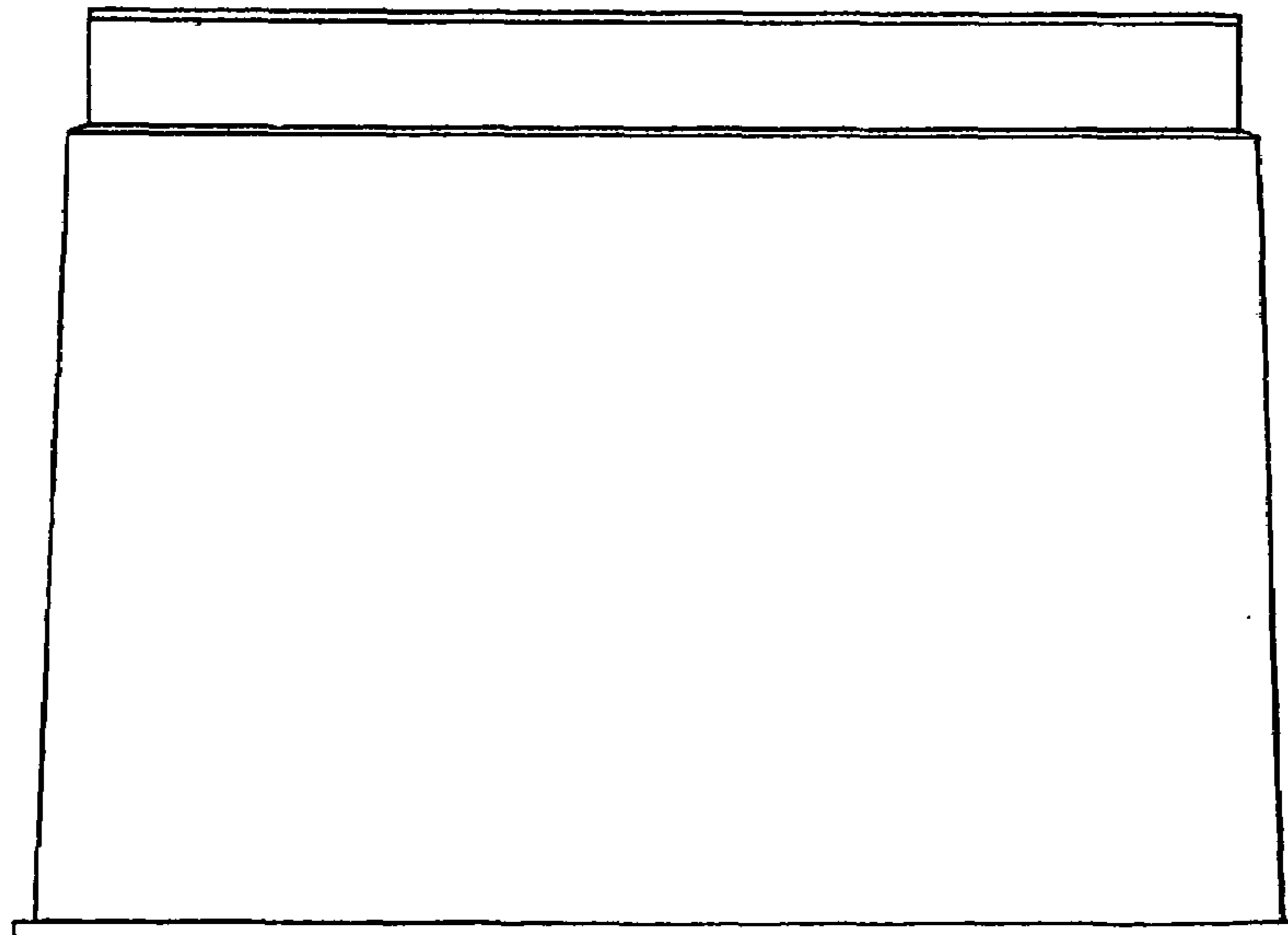
**FIG. 3**



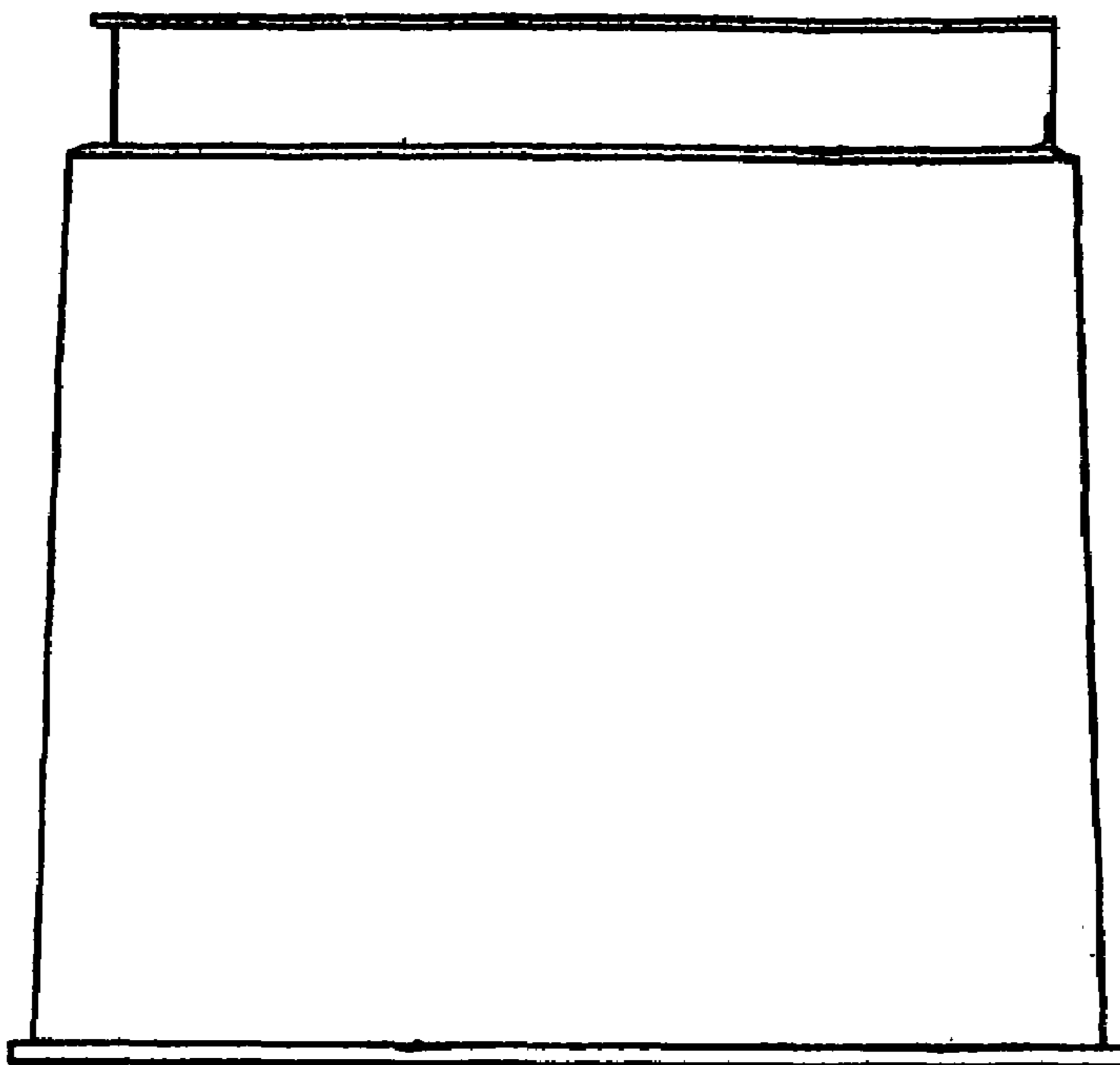
**FIG. 4**



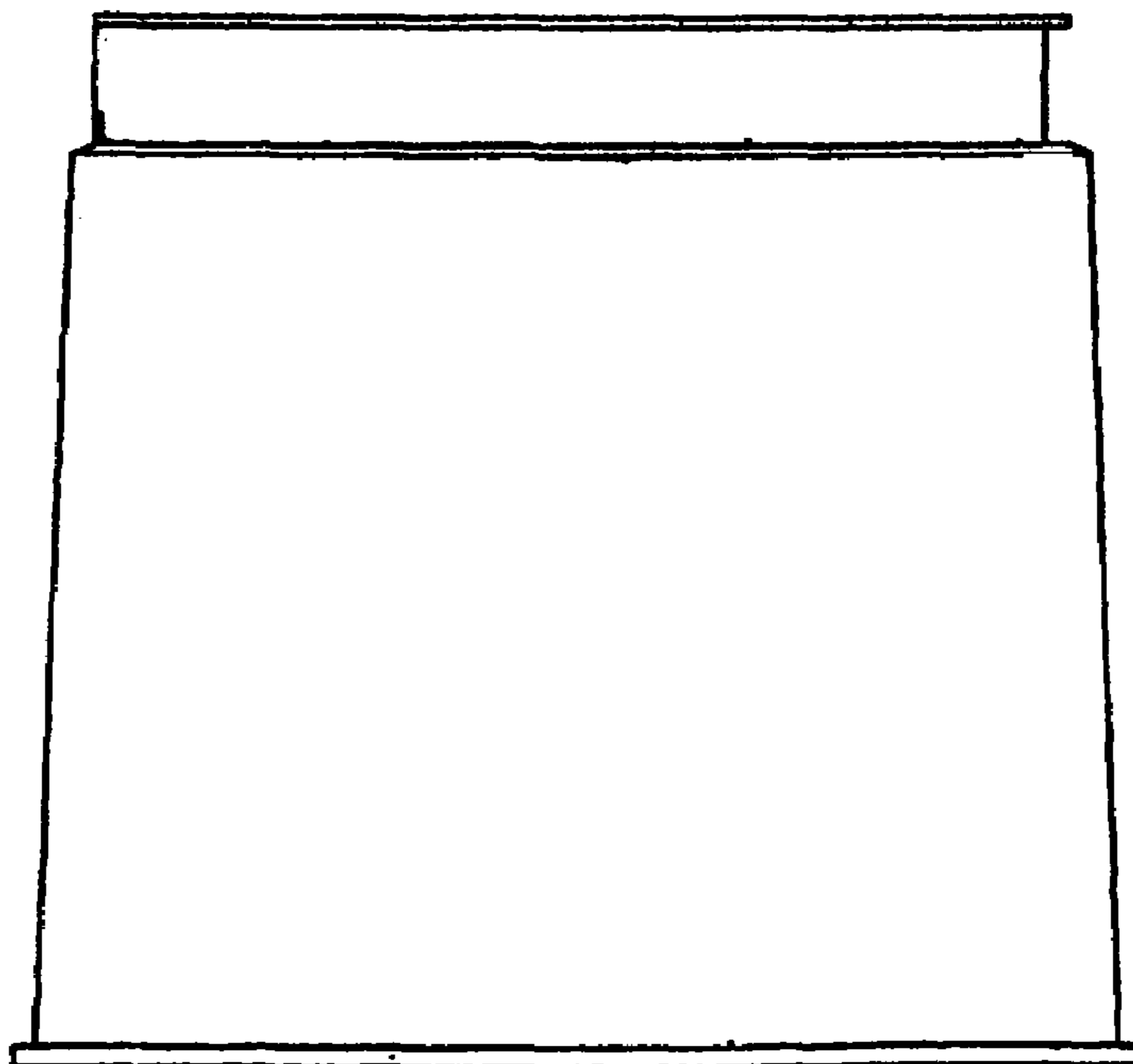
**FIG. 5**



**FIG. 6**



**FIG. 7**



**FIG. 8**