



US00D586519S

(12) **United States Design Patent**  
**Casteel et al.**

(10) **Patent No.:** **US D586,519 S**  
(45) **Date of Patent:** **\*\* Feb. 10, 2009**

(54) **LOBBY DUST PAN**

(75) Inventors: **Steve Casteel**, Wooster, OH (US);  
**Michael W. Jackson**, Wooster, OH (US);  
**Randy C. Cox**, Greenville, NC (US)

(73) Assignee: **Harper Brush Works**, Fairfield, IA (US)

(\*\*) Term: **14 Years**

(21) Appl. No.: **29/267,831**

(22) Filed: **Oct. 23, 2006**

(51) **LOC (9) Cl.** ..... **07-05**

(52) **U.S. Cl.** ..... **D32/74**

(58) **Field of Classification Search** ..... D32/74;  
15/257.1, 257.4, 257.8, 257.9, 257.3; D34/1  
See application file for complete search history.

(56) **References Cited**

**U.S. PATENT DOCUMENTS**

5,012,542	A *	5/1991	Lynn	.....	15/1
5,325,565	A *	7/1994	Suzuki	.....	15/257.4
5,343,589	A *	9/1994	Davenport	.....	15/257.4
5,457,844	A *	10/1995	Hanna et al.	.....	15/257.3
5,715,564	A *	2/1998	Knouse	.....	15/257.3
D393,120	S *	3/1998	Leonard et al.	.....	D32/74

D402,780	S *	12/1998	Alt	.....	D32/74
D441,933	S *	5/2001	Savage et al.	.....	D34/1
6,282,745	B1 *	9/2001	Alt	.....	15/257.4
D468,879	S *	1/2003	Perelli	.....	D32/74

\* cited by examiner

*Primary Examiner*—Pamela J. Burgess

(74) *Attorney, Agent, or Firm*—Welsh & Katz, Ltd.

(57) **CLAIM**

The ornamental design for lobby dust pan, as shown and described.

**DESCRIPTION**

FIG. 1 is a perspective view of the lobby dust pan of the subject invention.

FIG. 2 is a top view of the lobby dust pan of FIG. 1.

FIG. 3 is a bottom view of the lobby dust pan of FIG. 1.

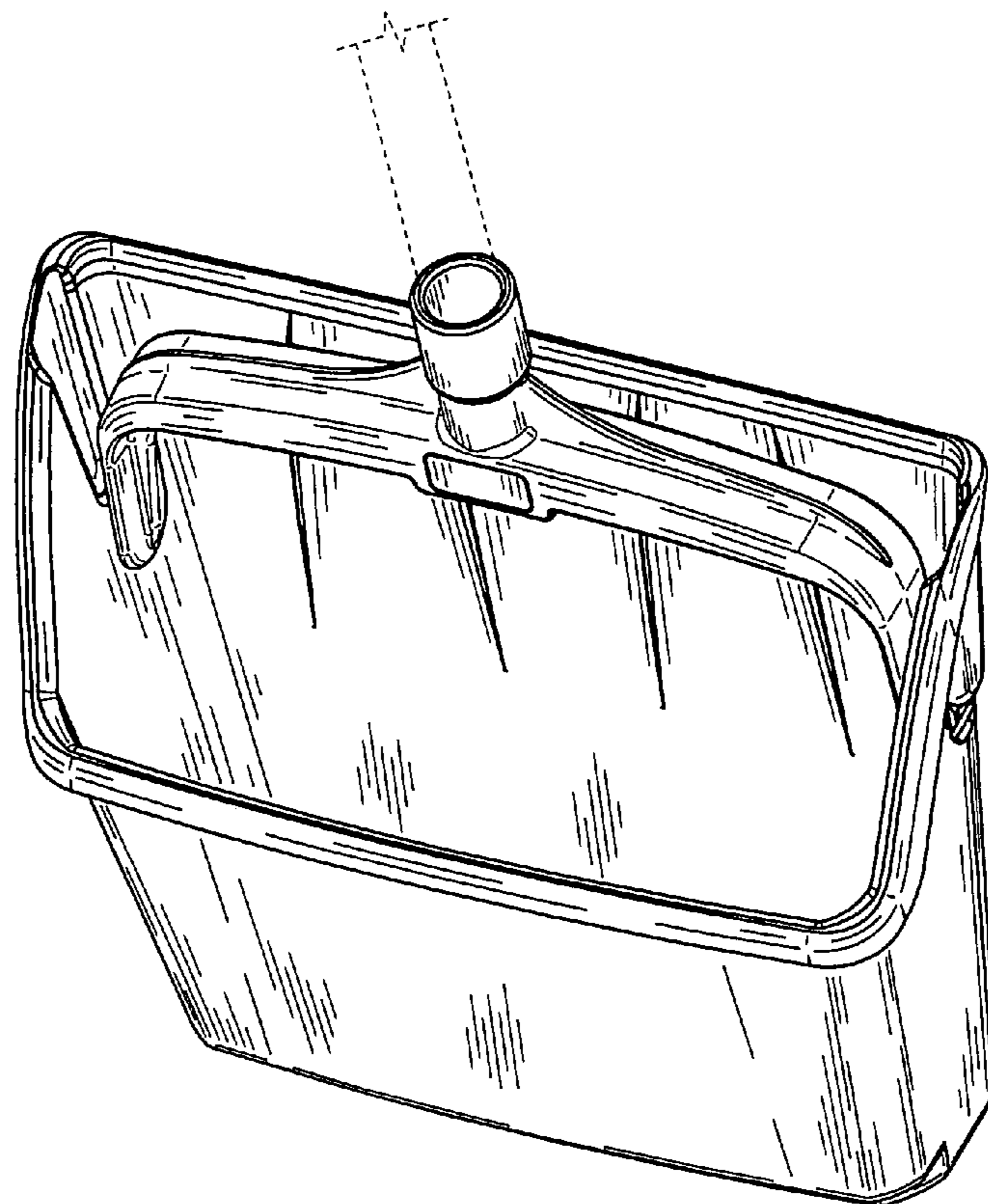
FIG. 4 is a left side view of the lobby dust pan of FIG. 1., the opposite side being a mirror image thereof.

FIG. 5 is a rear view of the lobby dust pan of FIG. 1; and,

FIG. 6 is a front view of the lobby dust pan of FIG. 1.

The broken lines shown in the drawings are for illustrative purposes only and form no part of the claimed design.

**1 Claim, 2 Drawing Sheets**



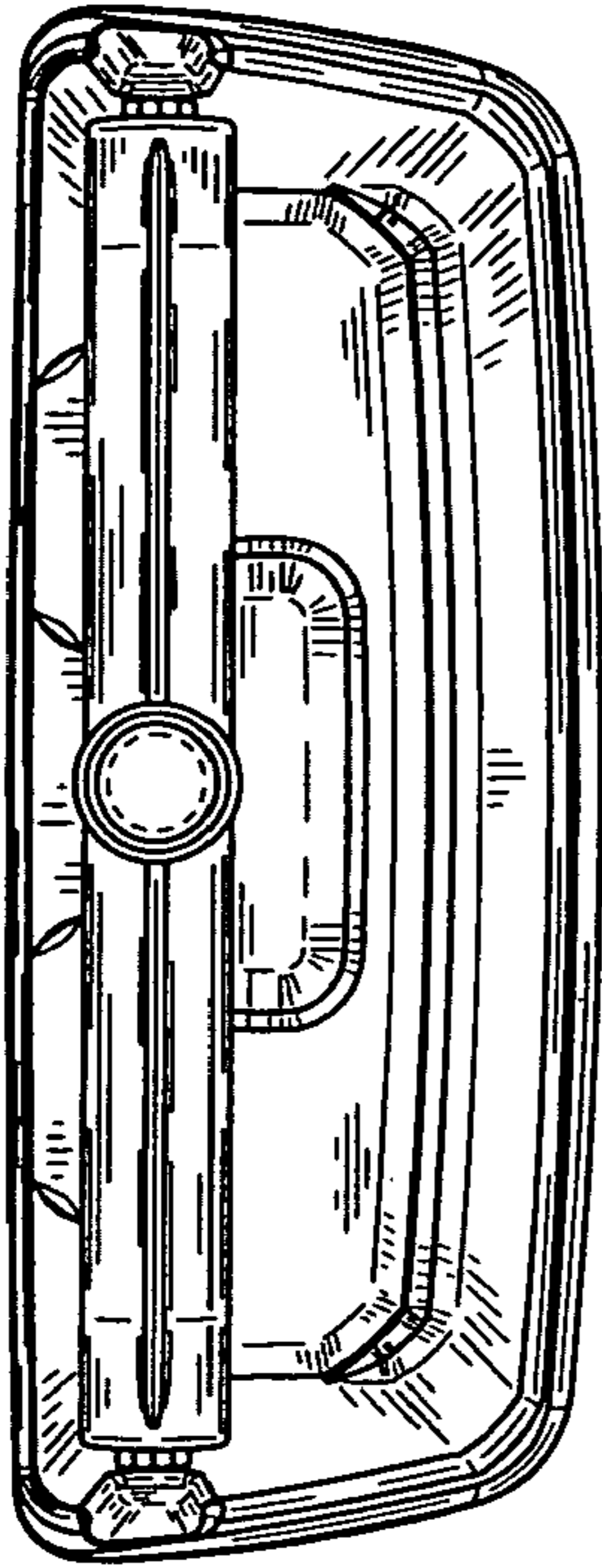


FIG. 2

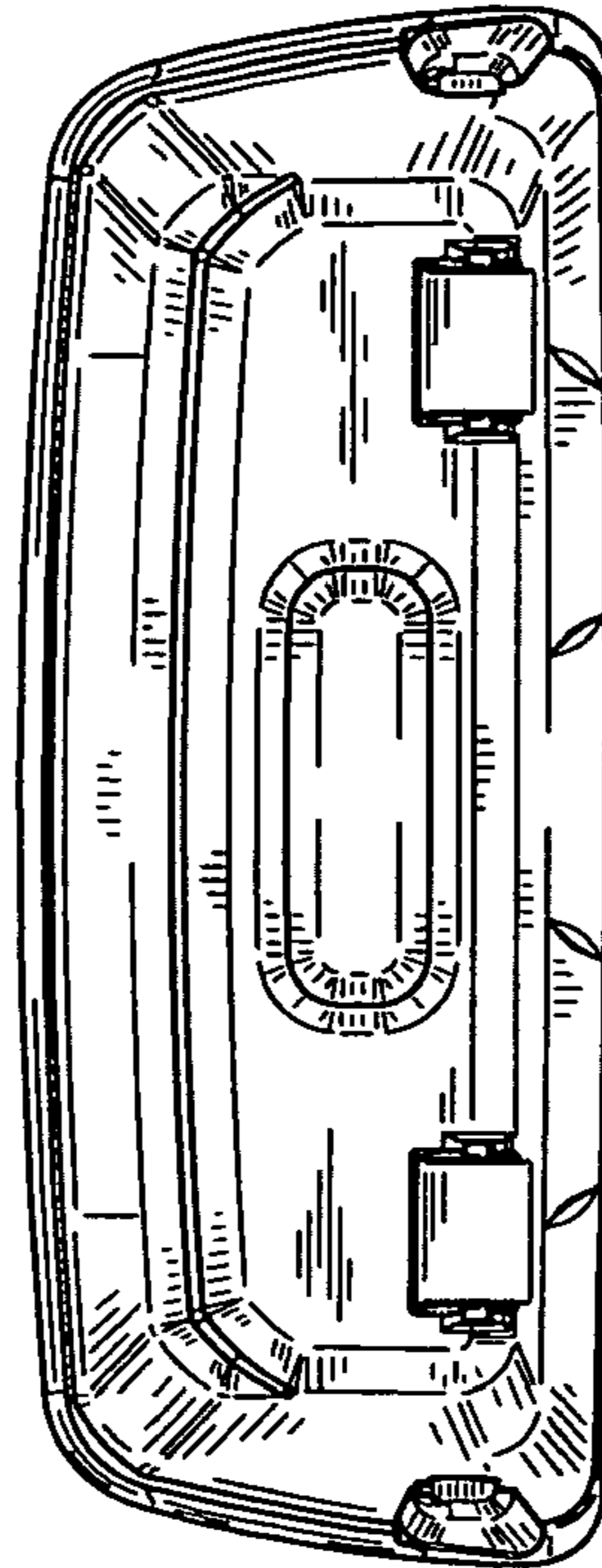


FIG. 3

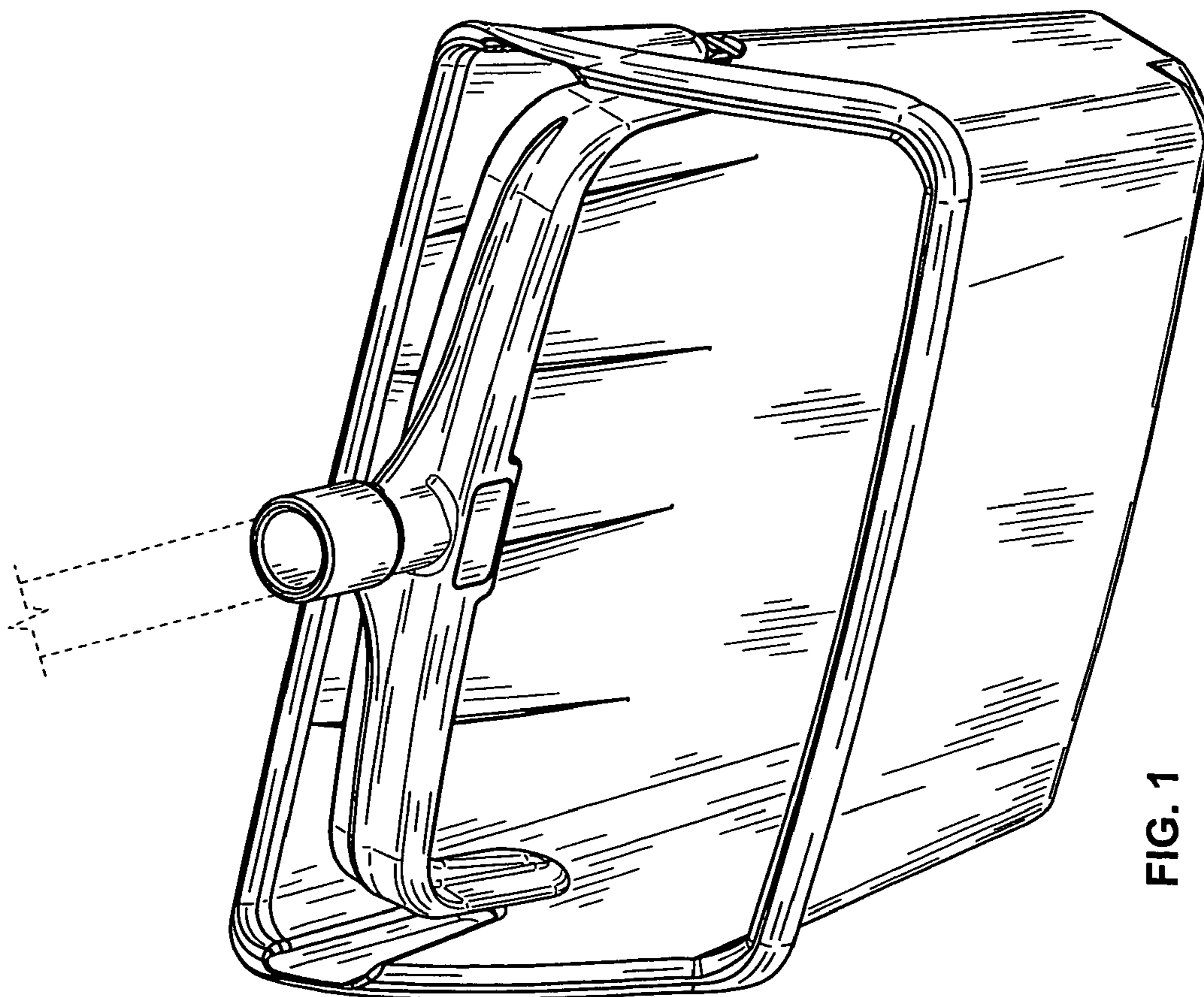


FIG. 1

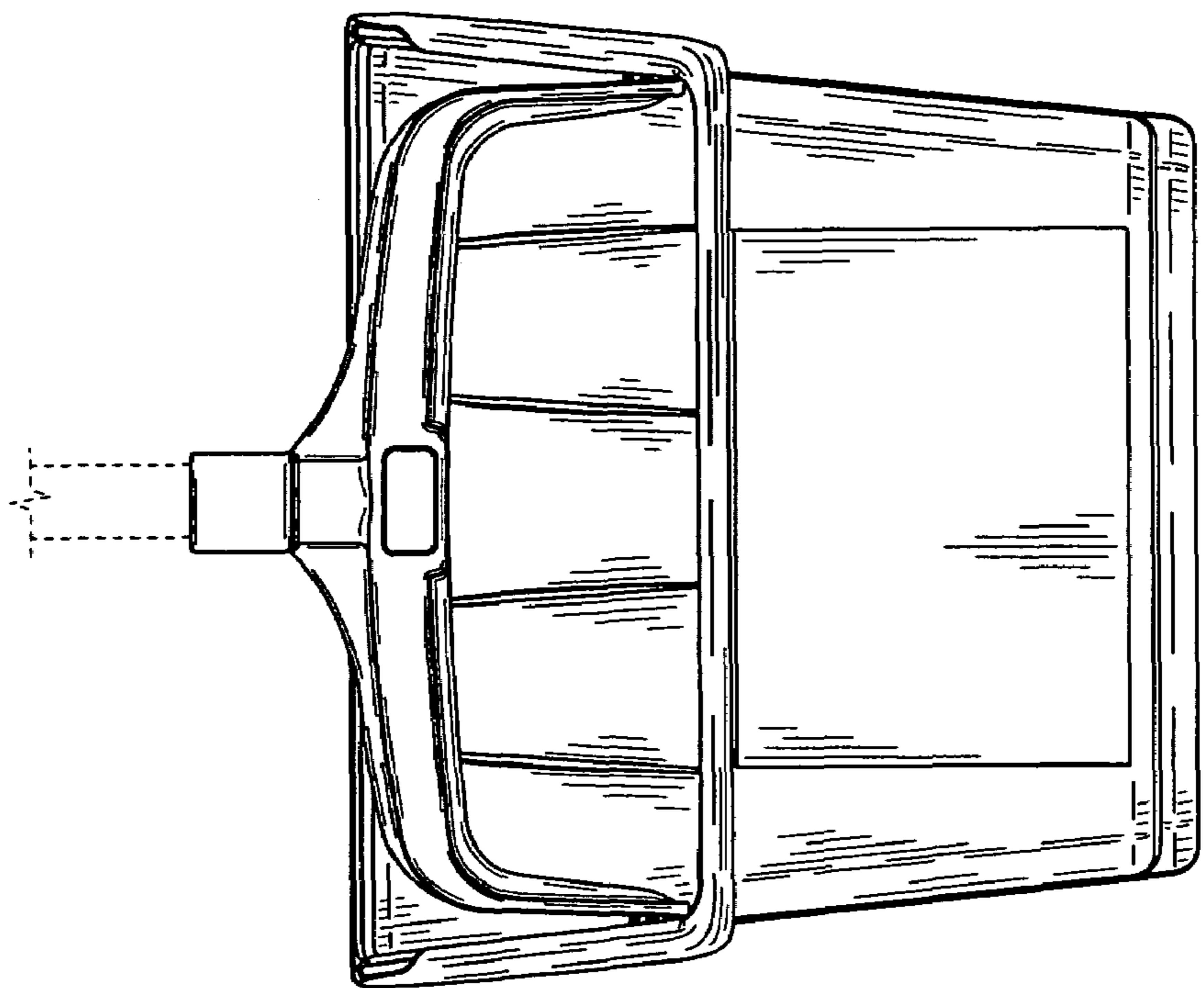


FIG. 6

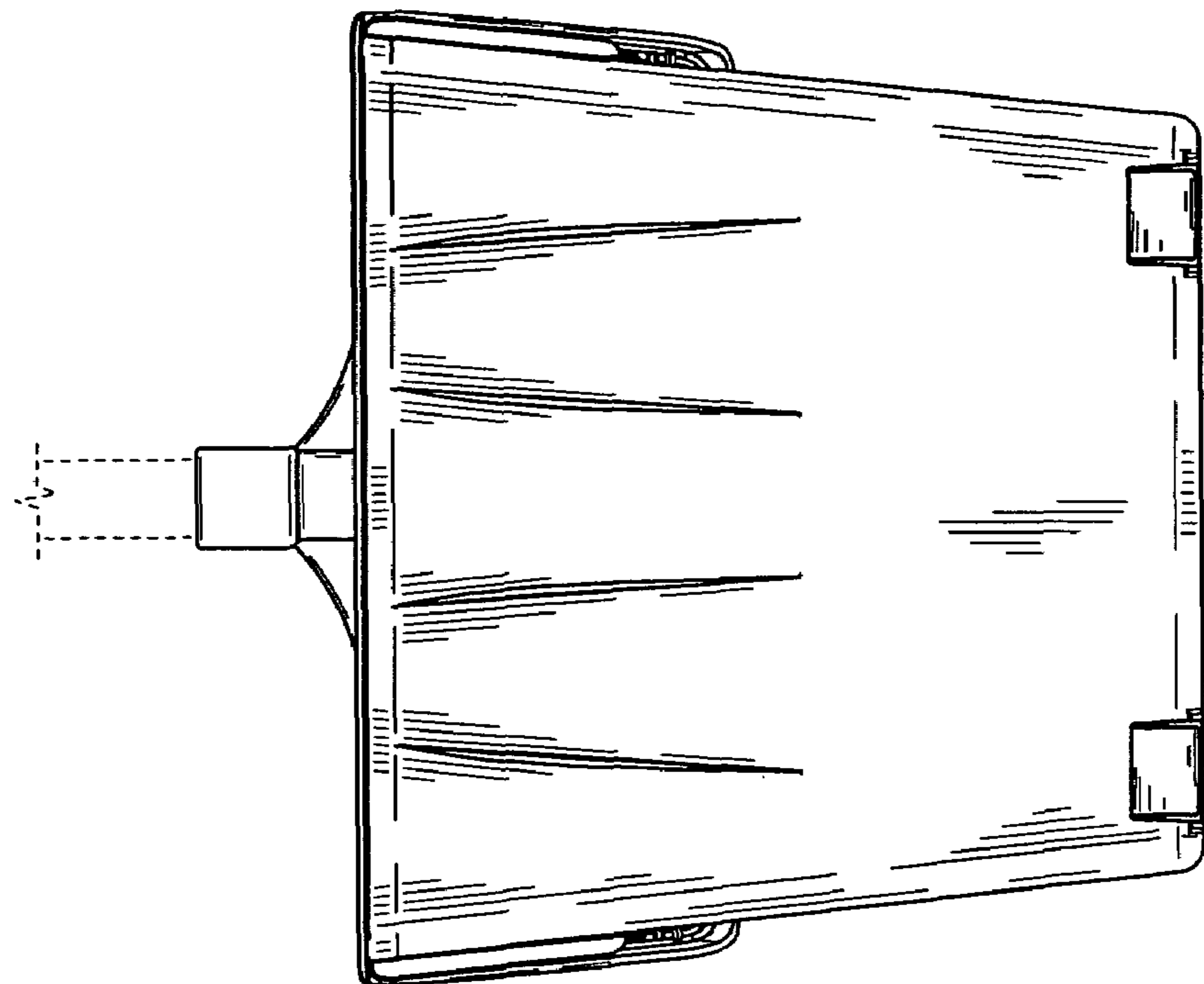


FIG. 5

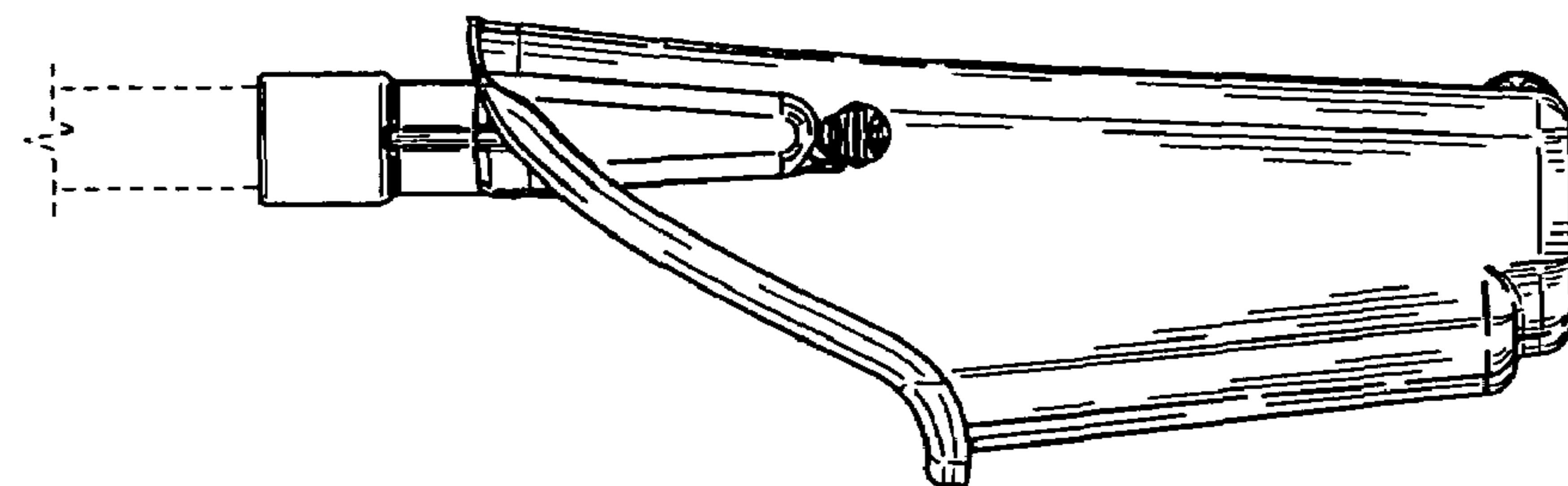


FIG. 4