



US00D586515S

(12) **United States Design Patent**
Arvinte et al.

(10) **Patent No.:** **US D586,515 S**
(45) **Date of Patent:** **** Feb. 10, 2009**

(54) **PAINT PAN**

(75) Inventors: **Romeo Arvinte**, Laval-des-Rapides
(CA); **Francois Panfili**, Berthierville
(CA)

(73) Assignee: **A. Richard Tools Co./Outils A.**
Richard Co., Berthierville, Quebec (CA)

(**) Term: **14 Years**

(21) Appl. No.: **29/305,941**

(22) Filed: **Mar. 31, 2008**

(30) **Foreign Application Priority Data**

Oct. 31, 2007 (CA) 122965

(51) **LOC (9) Cl.** **07-07**

(52) **U.S. Cl.** **D32/53.1**

(58) **Field of Classification Search** D32/53.1,
D32/53, 54; 222/570; 220/570, 757, 754,
220/697, 507, 695, 793, 571, 571.1; 15/257.05-257.06,
15/257.01; 206/216; 401/118-119, 121;
D6/610

See application file for complete search history.

(56) **References Cited**

U.S. PATENT DOCUMENTS

D244,827 S * 6/1977 Nevai D32/55
4,651,379 A * 3/1987 Kern 15/257.06
D289,456 S * 4/1987 Florentino D32/53.1

D332,512 S * 1/1993 Bernard D32/53.1
5,316,137 A * 5/1994 Kyllonen 206/209
D371,876 S * 7/1996 Albert et al. D32/53.1
5,553,701 A * 9/1996 Jarecki et al. 206/15.2
D400,329 S * 10/1998 Lindo D32/53.1
D461,288 S * 8/2002 Tennant D32/53.1
D553,817 S * 10/2007 Moon D32/53.1
D553,818 S * 10/2007 Moon D32/53.1

* cited by examiner

Primary Examiner—Pamela J Burgess

(74) *Attorney, Agent, or Firm*—Darby & Darby PC

(57) **CLAIM**

The ornamental design for a paint pan, as shown and described.

DESCRIPTION

FIG. 1 is a top perspective view of a paint pan showing our new design.

FIG. 2 is another top perspective view thereof.

FIG. 3 is a top plan view thereof.

FIG. 4 is a left elevational side view thereof.

FIG. 5 is a right elevational side view thereof.

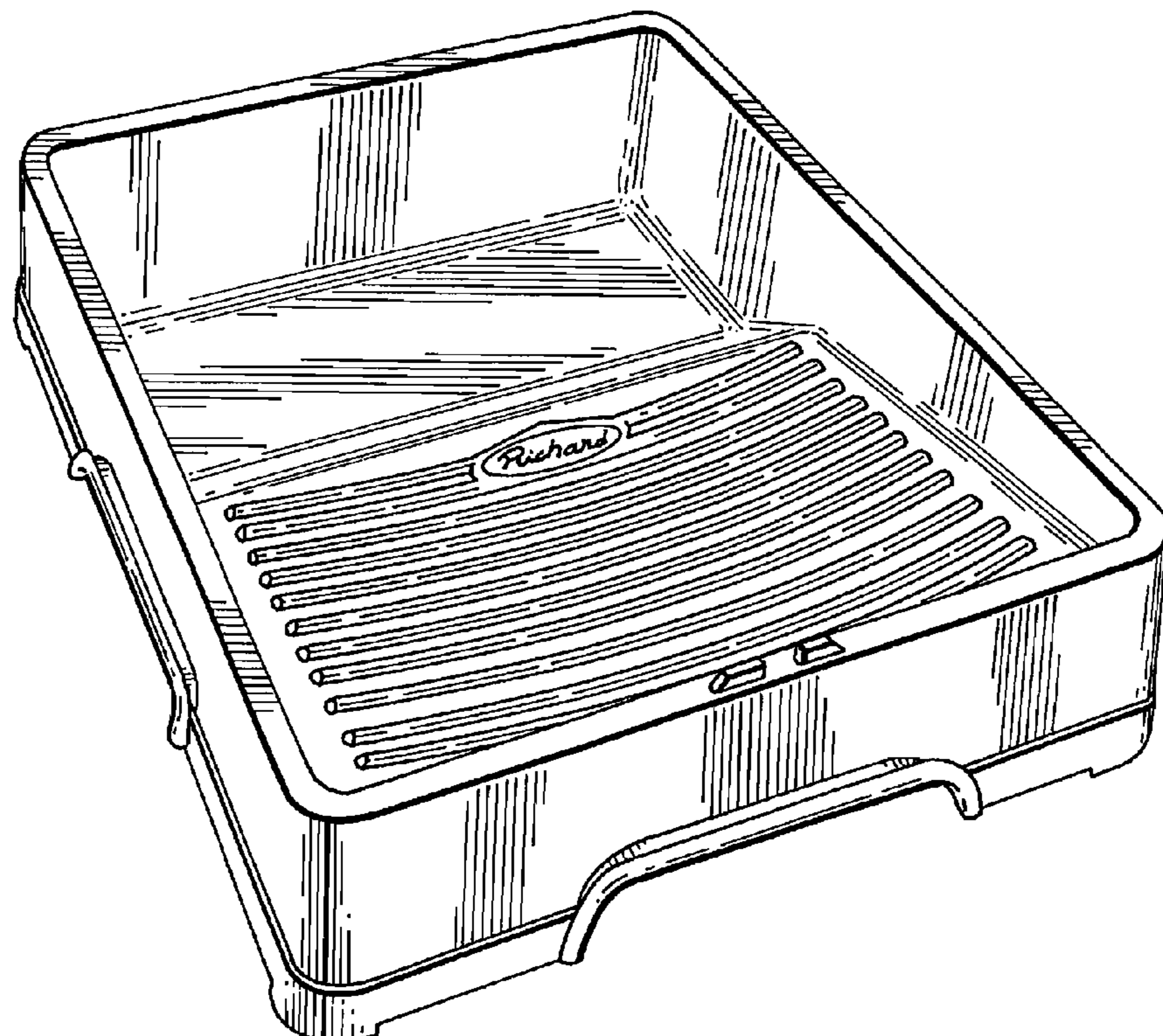
FIG. 6 is a front elevational view thereof.

FIG. 7 is a rear elevational view thereof.

FIG. 8 is a bottom perspective view thereof; and,

FIG. 9 is a bottom plan view thereof.

1 Claim, 7 Drawing Sheets



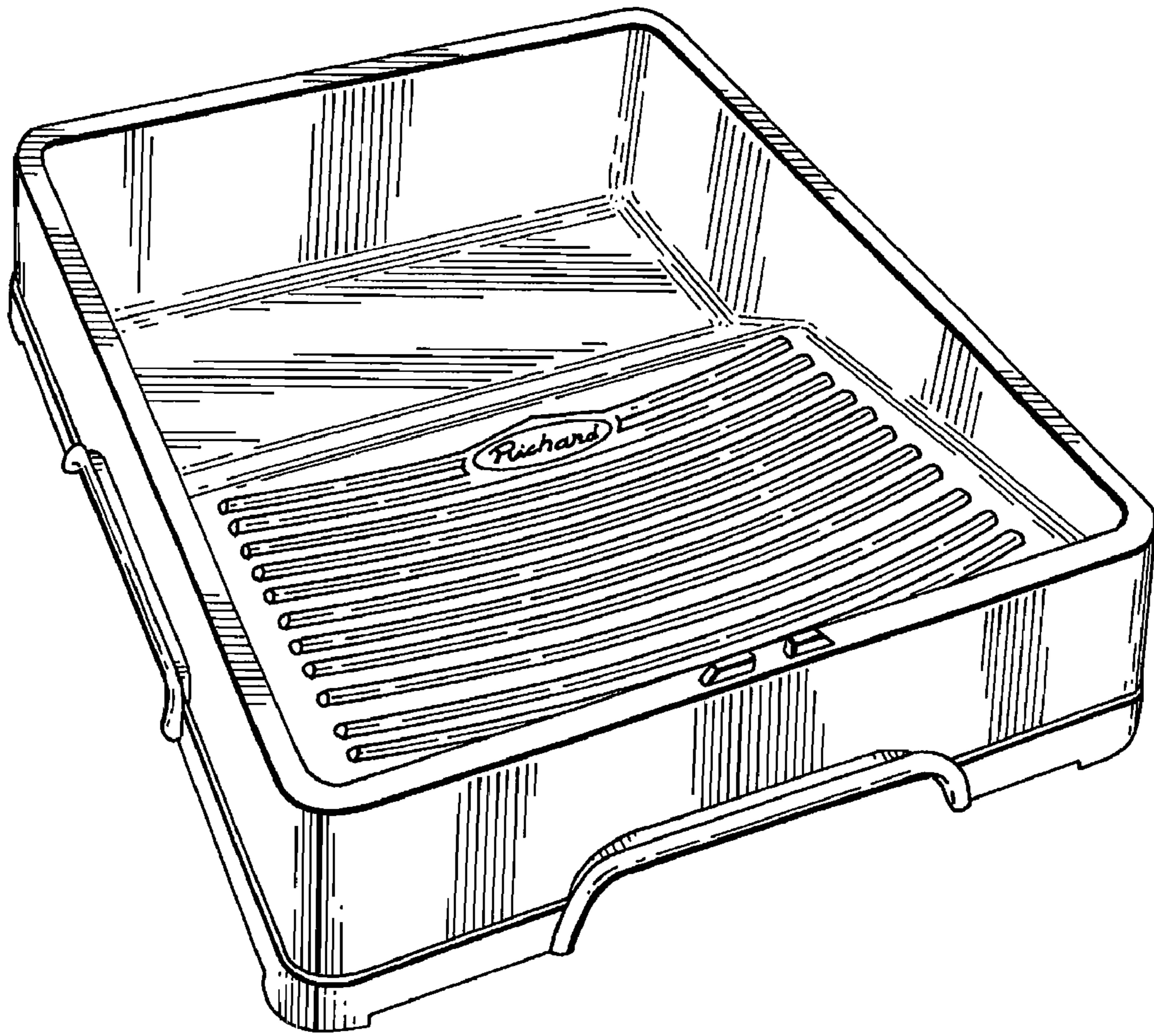


FIG. 1

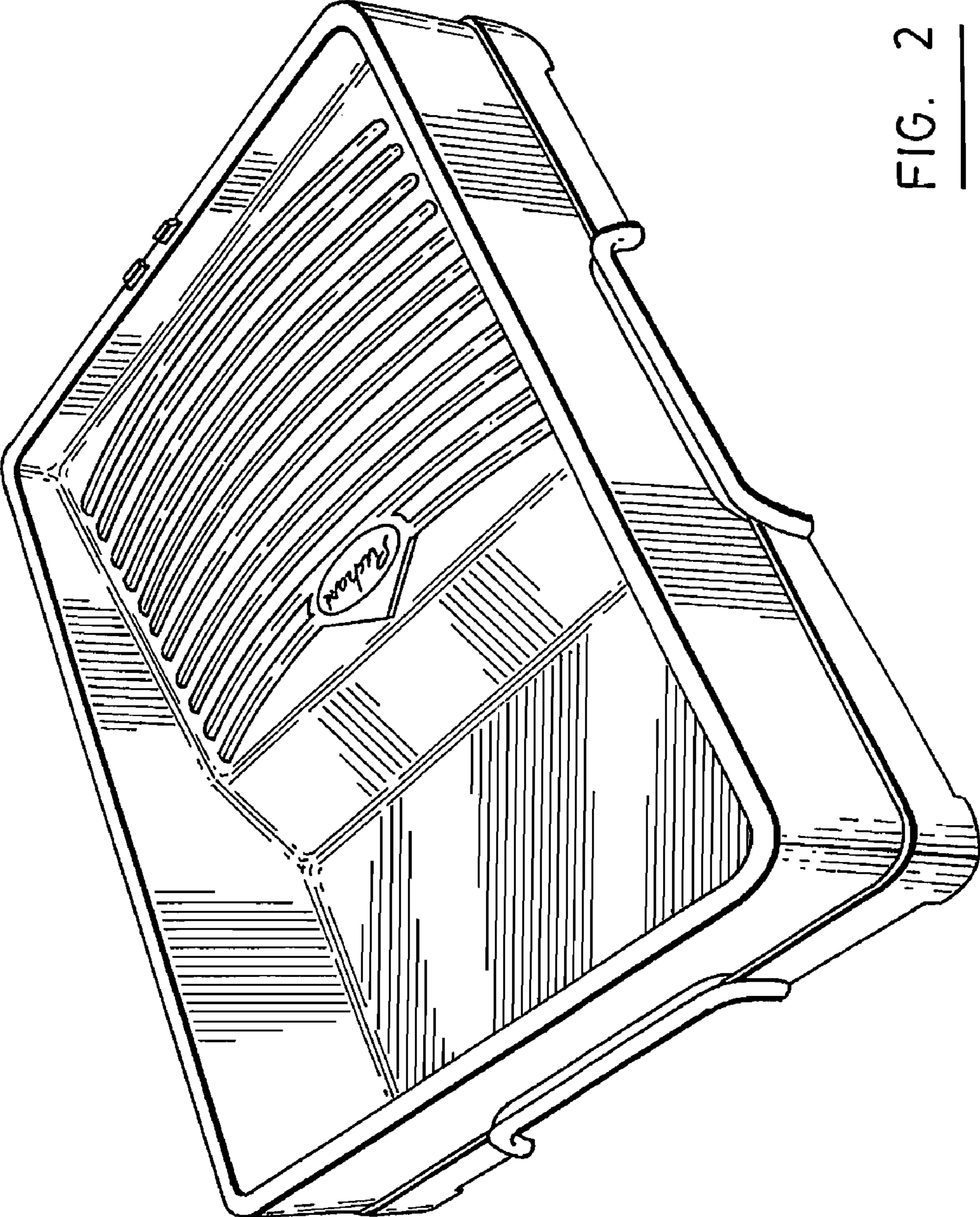


FIG. 2

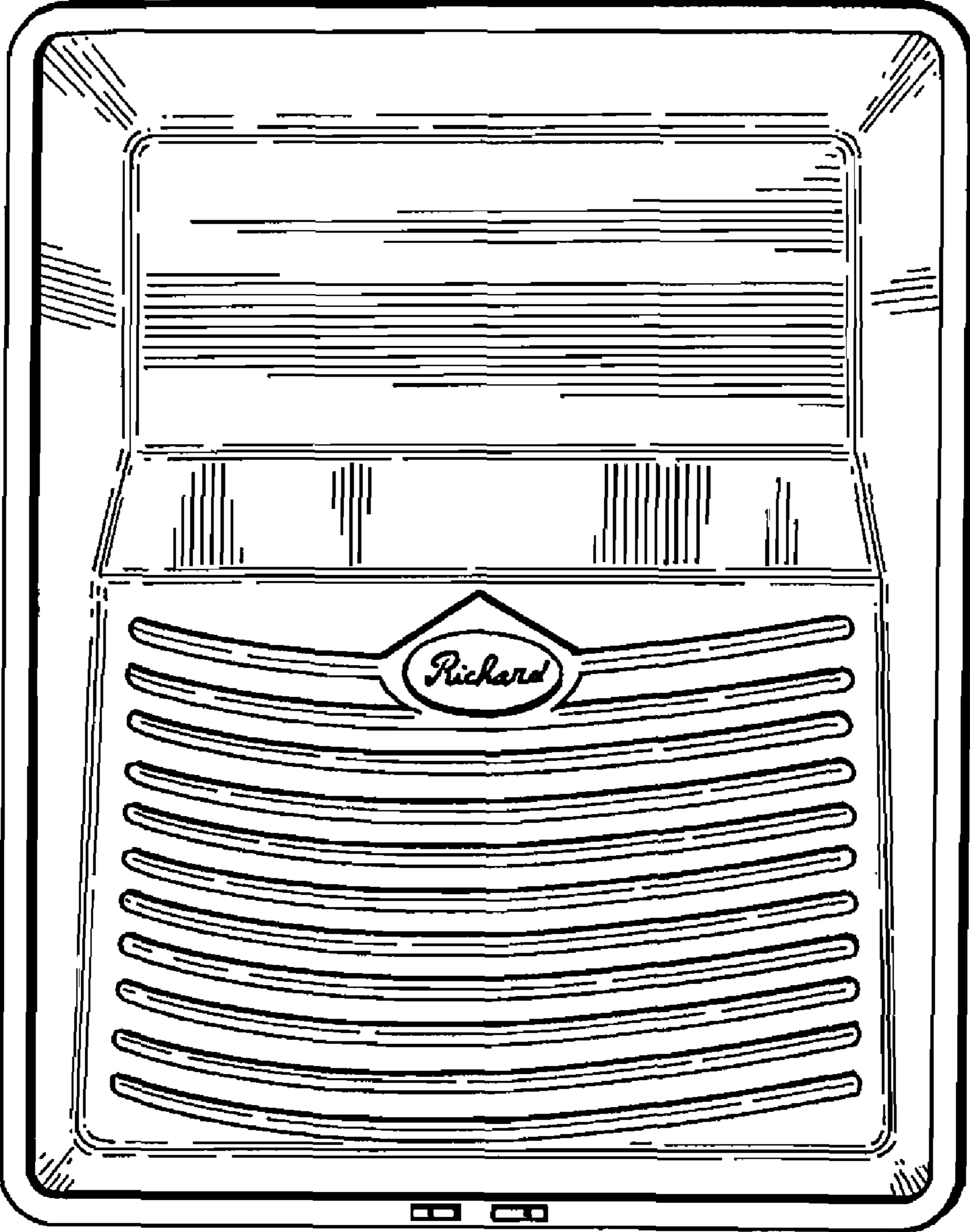


FIG. 3

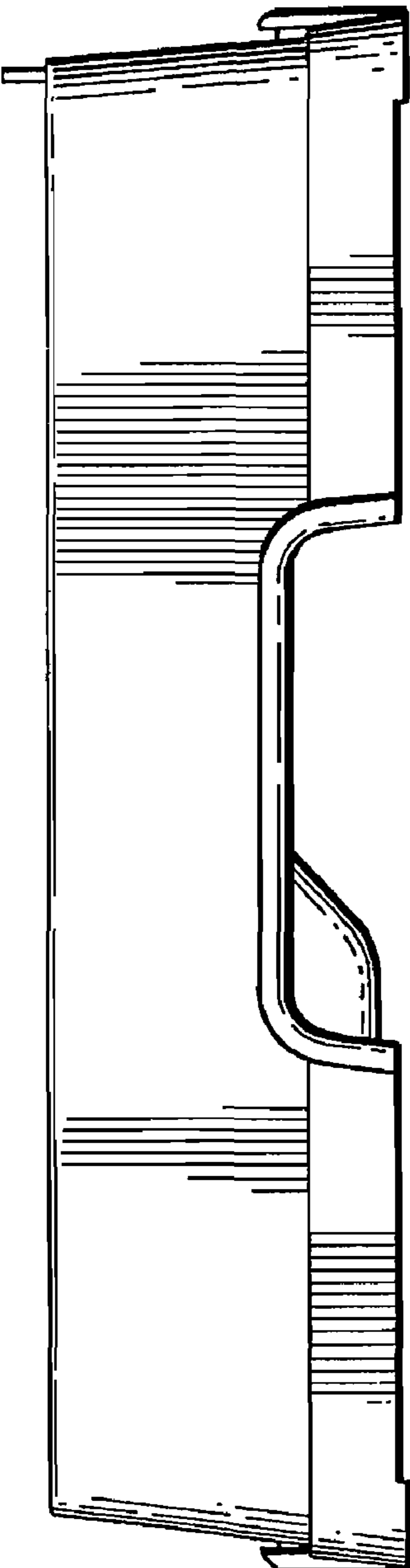


FIG. 4

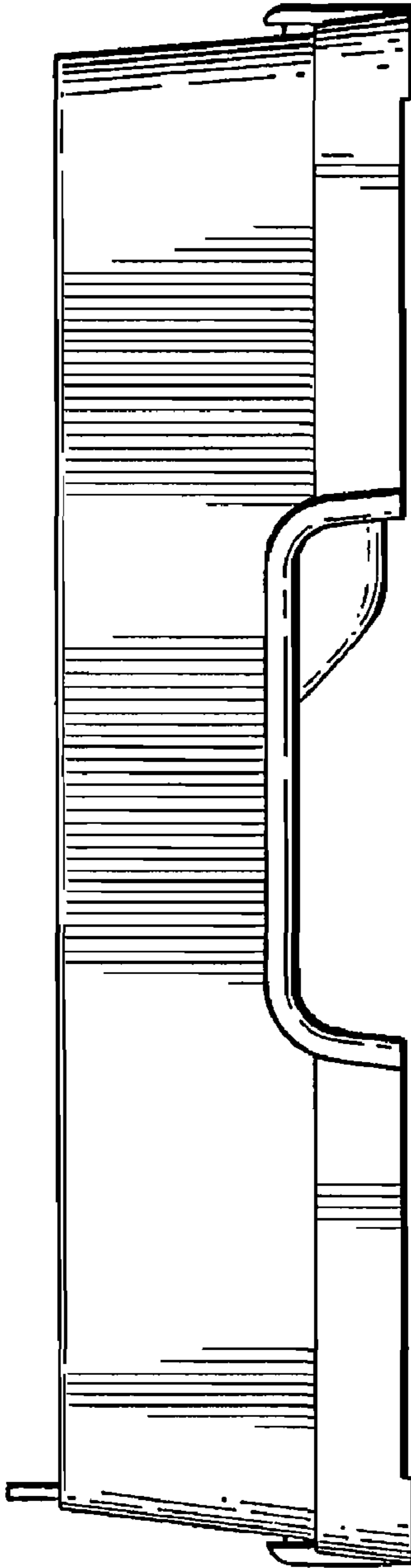


FIG. 5

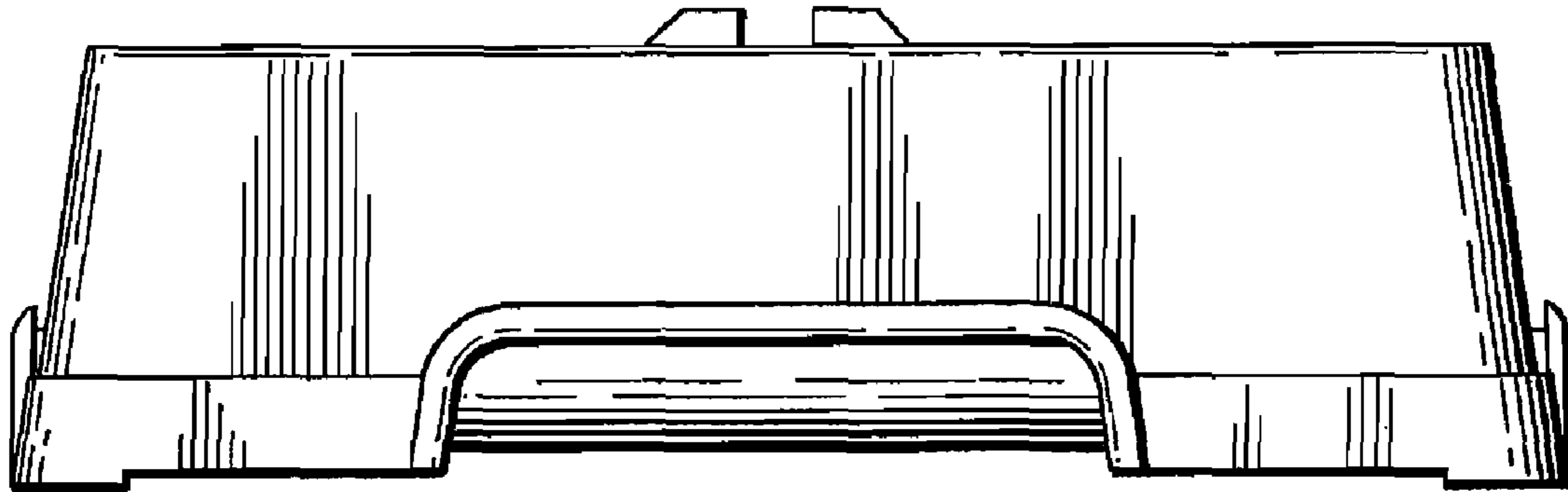


FIG. 6

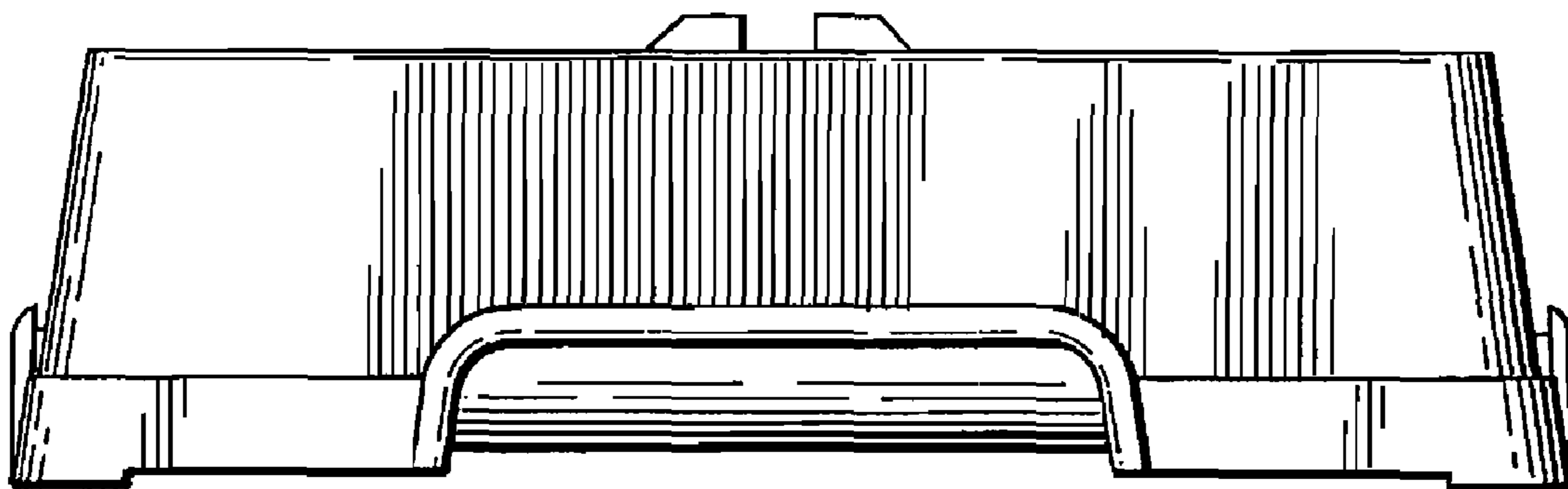


FIG. 7

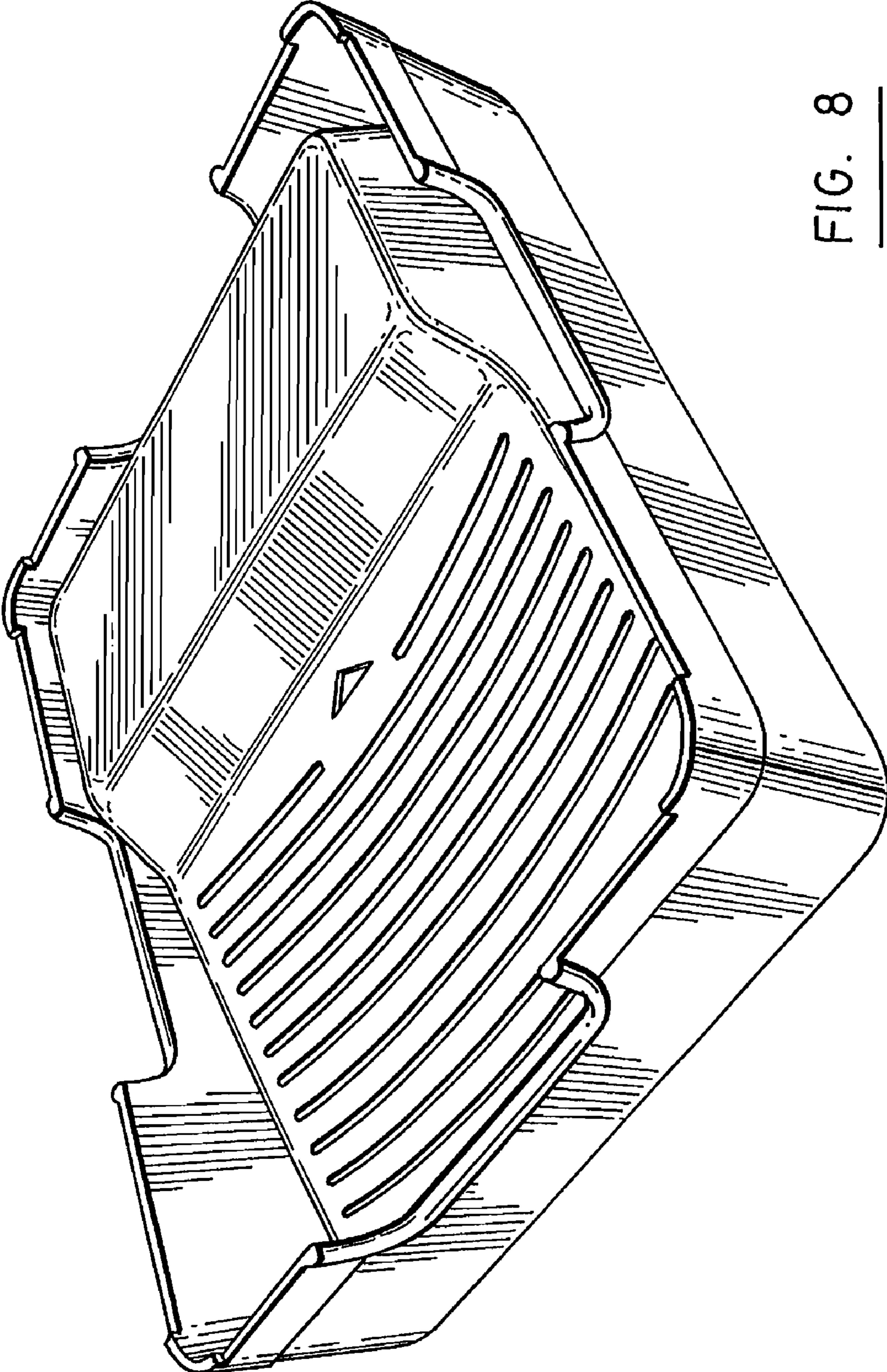


FIG. 8

FIG. 9

