



US00D586514S

(12) **United States Design Patent**
Perelli et al.

(10) **Patent No.:** **US D586,514 S**

(45) **Date of Patent:** **** Feb. 10, 2009**

(54) **MOP**

Primary Examiner—Pamela J Burgess

(74) *Attorney, Agent, or Firm*—Foley & Lardner LLP

(75) Inventors: **Thomas Perelli**, Winchester, VA (US);
Ashley P Z W Pho, Leesburg, VA (US)

(57) **CLAIM**

(73) Assignee: **Rubbermaid Commercial Products LLC**, Winchester, VA (US)

I claim the ornamental design for a mop, as shown and described.

(**) Term: **14 Years**

DESCRIPTION

(21) Appl. No.: **29/318,308**

FIG. 1 is a top rear perspective view of a first embodiment of a mop according to our new design;

(22) Filed: **May 16, 2008**

FIG. 2 is a rear view of the mop shown in FIG. 1;

(51) **LOC (9) Cl.** **04-01**

FIG. 3 is a front view of the mop shown in FIG. 1;

(52) **U.S. Cl.** **D32/50**

FIG. 4 is a right side view of the mop shown in FIG. 1;

(58) **Field of Classification Search** D32/40,
D32/50–51; 15/146, 147.1, 149, 159.1, 171,
15/190, 209.1, 228, 231–232, 210.1, 119.2,
15/150, 236.01–236.07, 337; 401/137–140;
30/169, 171–172, 228

FIG. 5 is a left side view of the mop shown in FIG. 1;

FIG. 6 is a top view of the mop shown in FIG. 1;

FIG. 7 is a bottom view of the mop shown in FIG. 1;

FIG. 8 is a top rear perspective view of a second embodiment of a mop according to our new design;

See application file for complete search history.

FIG. 9 is a rear view of the mop shown in FIG. 8;

FIG. 10 is a front view of the mop shown in FIG. 8;

(56) **References Cited**

U.S. PATENT DOCUMENTS

D302,759	S	*	8/1989	Batchelor	D32/44
5,960,508	A	*	10/1999	Holt et al.	15/228
D423,742	S	*	4/2000	Kingry et al.	D32/40
6,484,346	B2	*	11/2002	Kingry et al.	15/231
6,588,045	B2	*	7/2003	Fernandez	15/119.2
6,651,290	B2	*	11/2003	Kingry et al.	15/231
D497,699	S	*	10/2004	Chi-Hsiang et al.	D32/45
7,096,531	B2	*	8/2006	Policicchio	15/228
D544,668	S	*	6/2007	Harper et al.	D32/51

FIG. 11 is a right side view of the mop shown in FIG. 8;

FIG. 12 is a left side view of the mop shown in FIG. 8;

FIG. 13 is a top view of the mop shown in FIG. 8; and,

FIG. 14 is a bottom view of the mop shown in FIG. 8.

The ornamental design which is claimed is shown in solid lines in the drawings. The broken lines in the drawings are for illustrative purposes only and form no part of the claimed design.

* cited by examiner

1 Claim, 10 Drawing Sheets

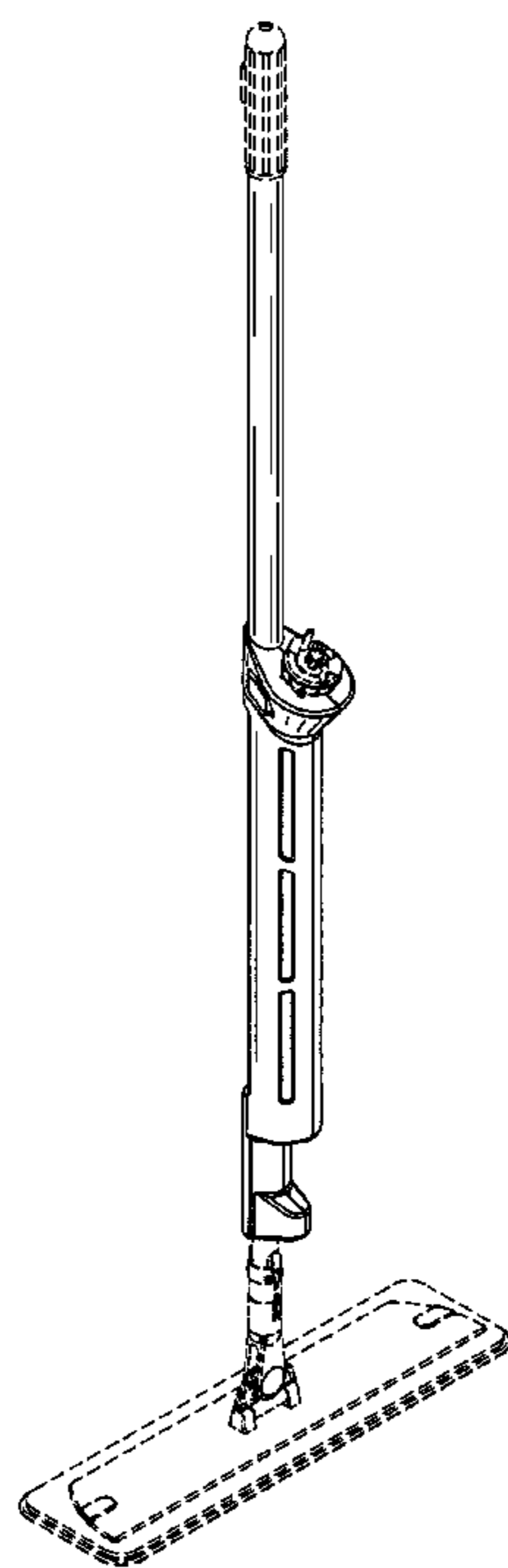


Fig. 1

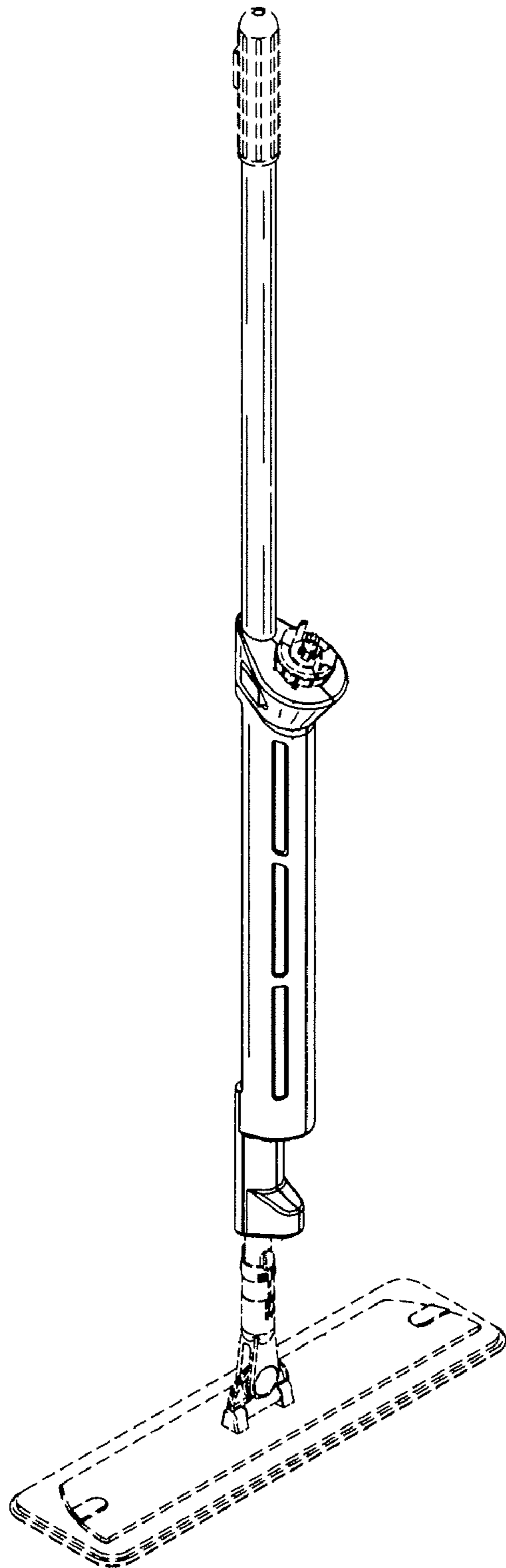


Fig. 2

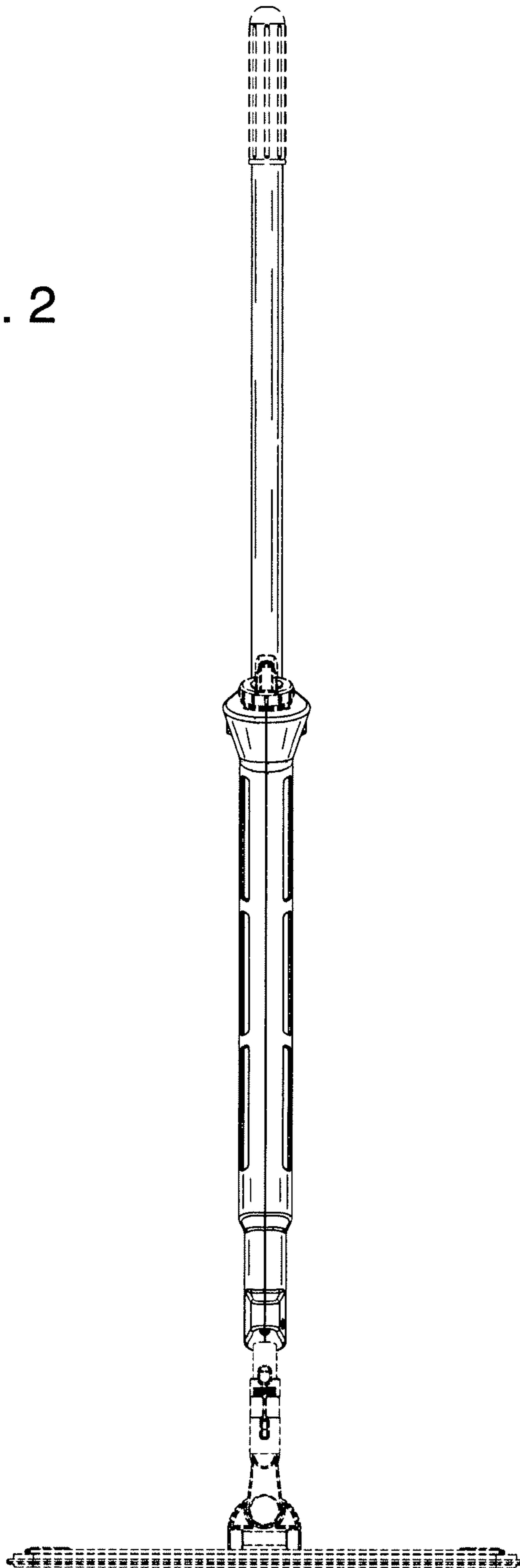


Fig. 3

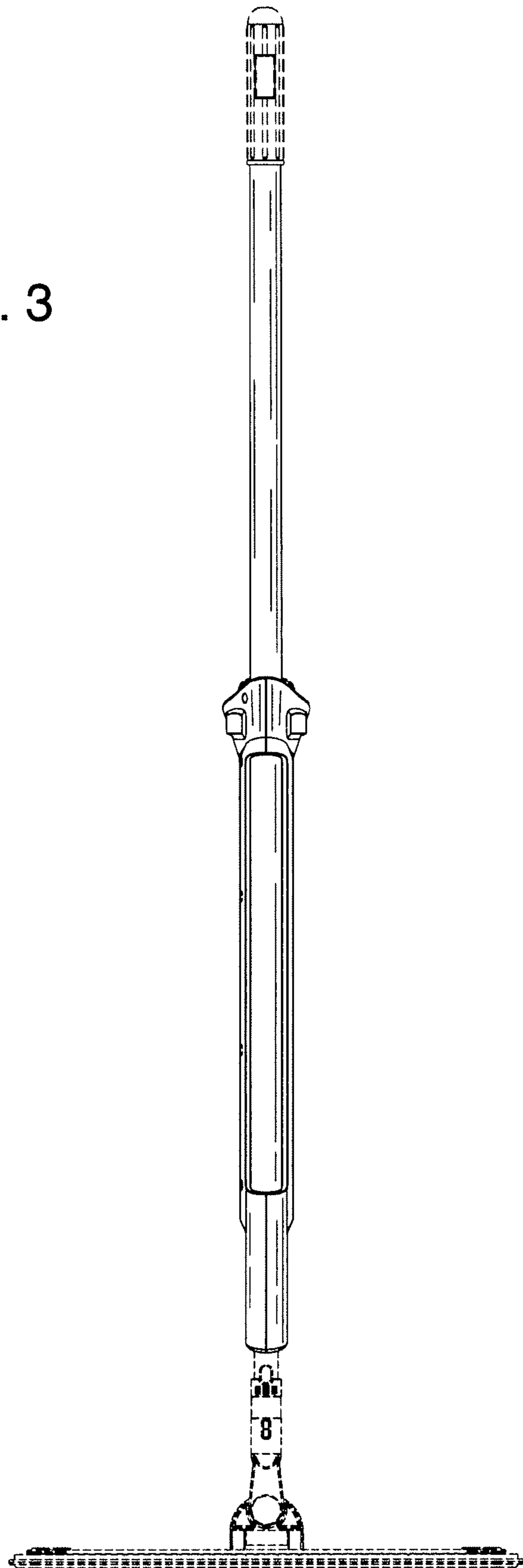


Fig. 4

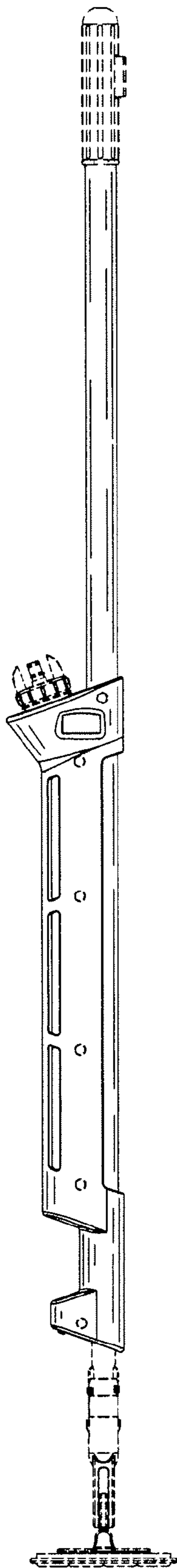


Fig. 5

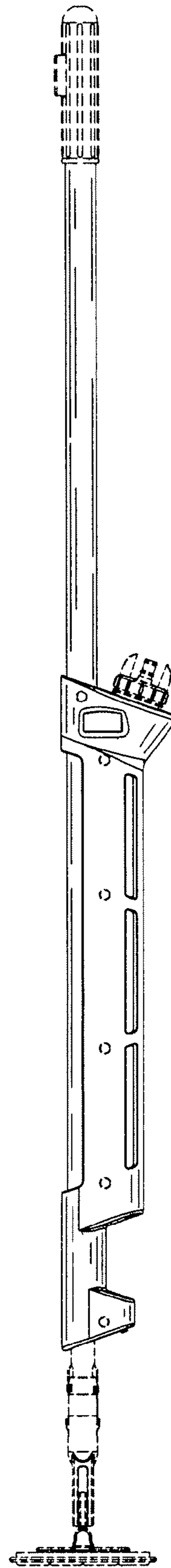


Fig. 6

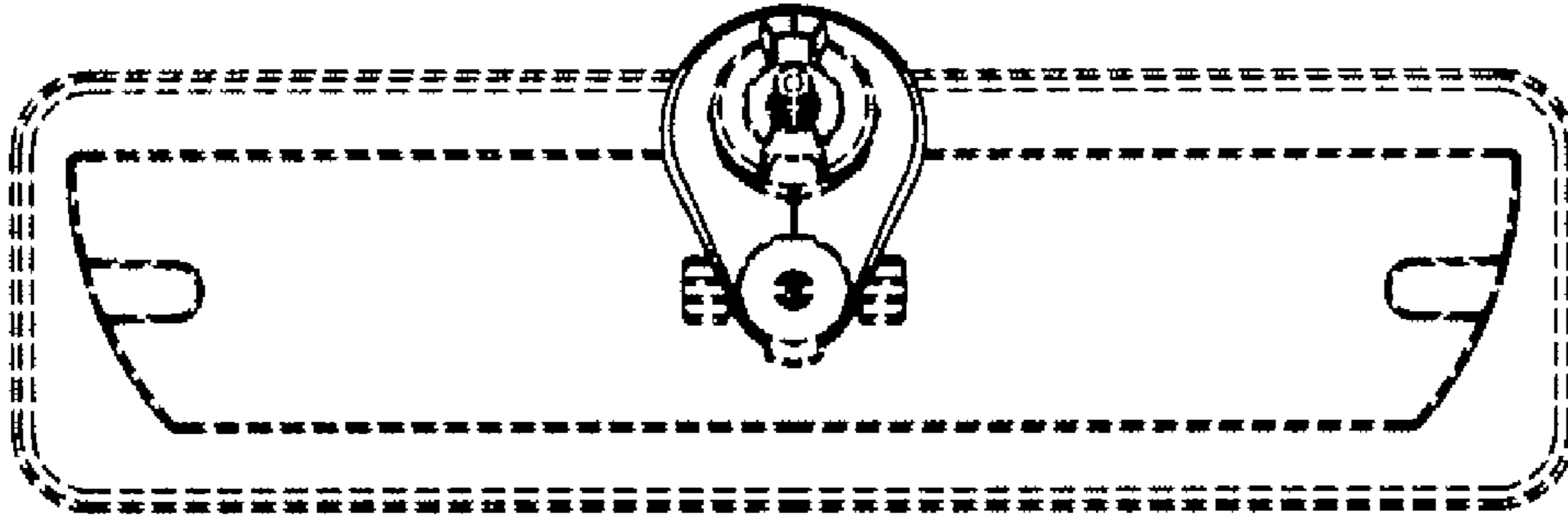


Fig. 7

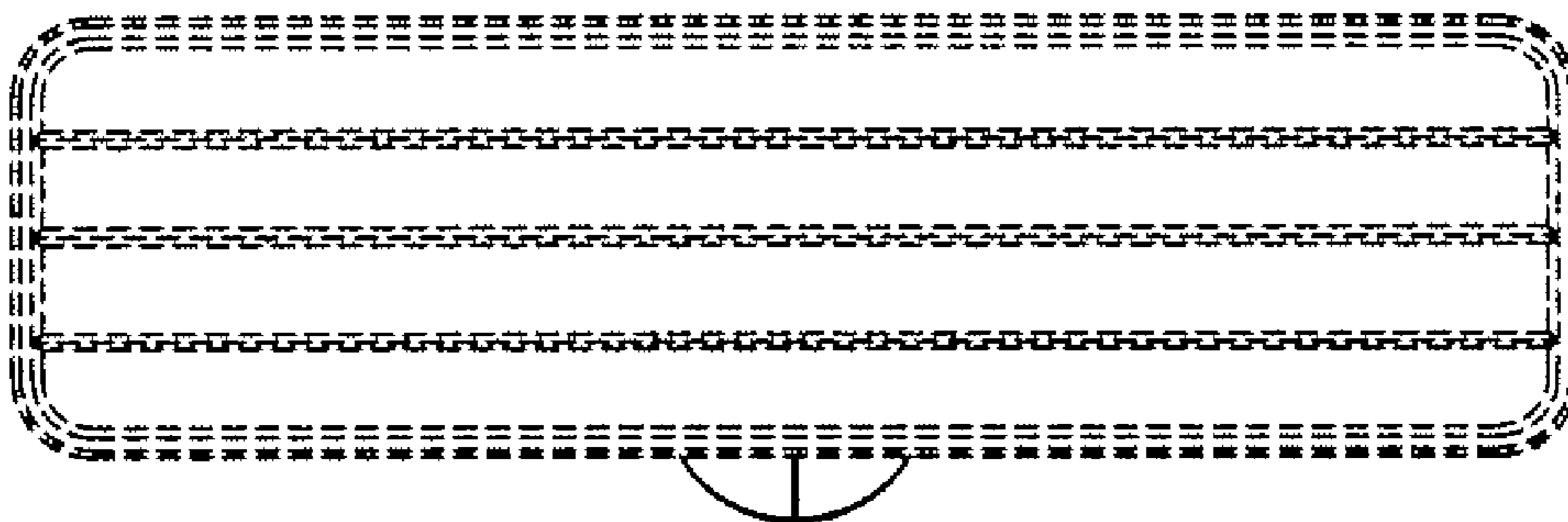


Fig. 8

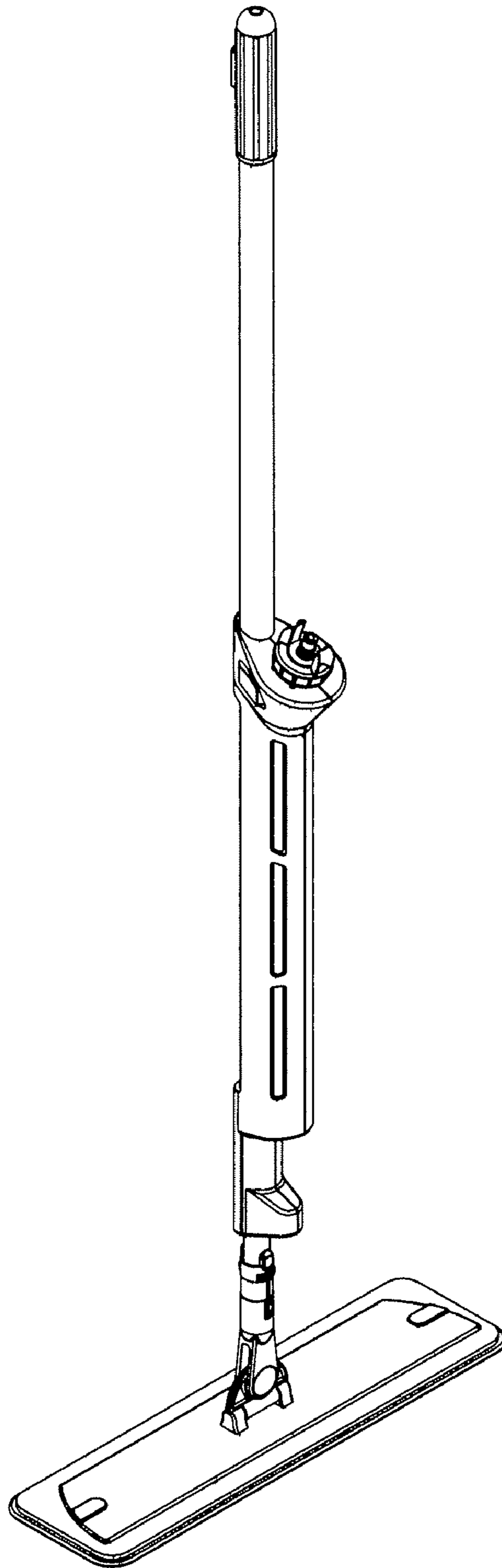


Fig. 9

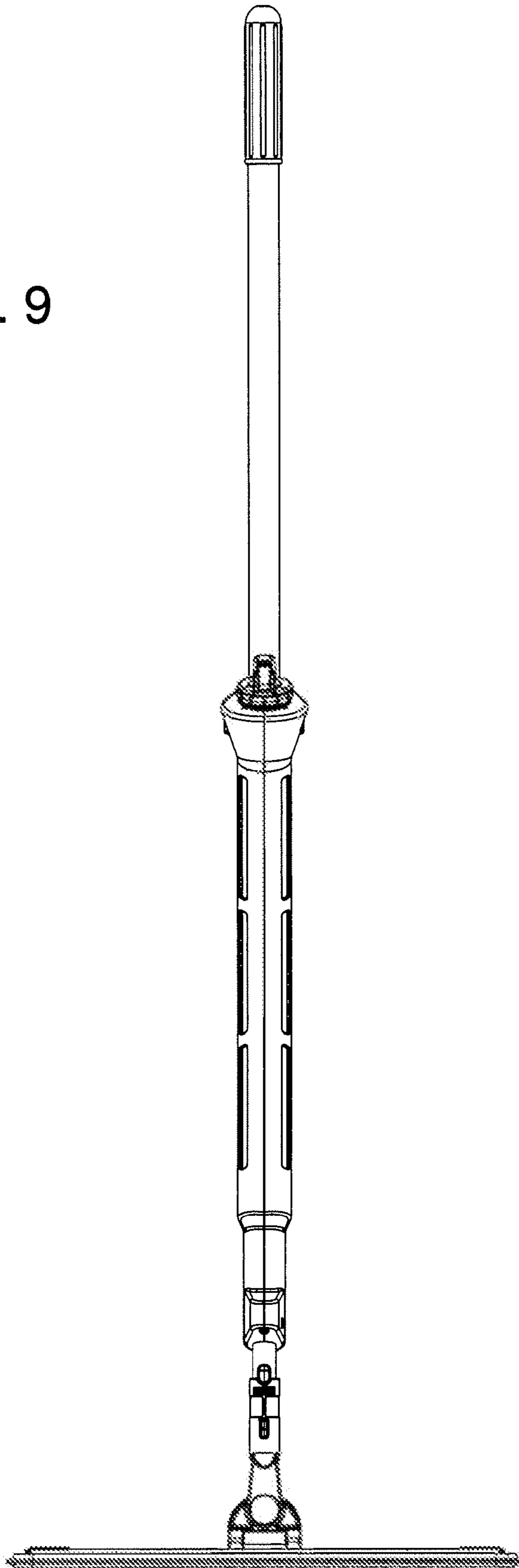


Fig. 10

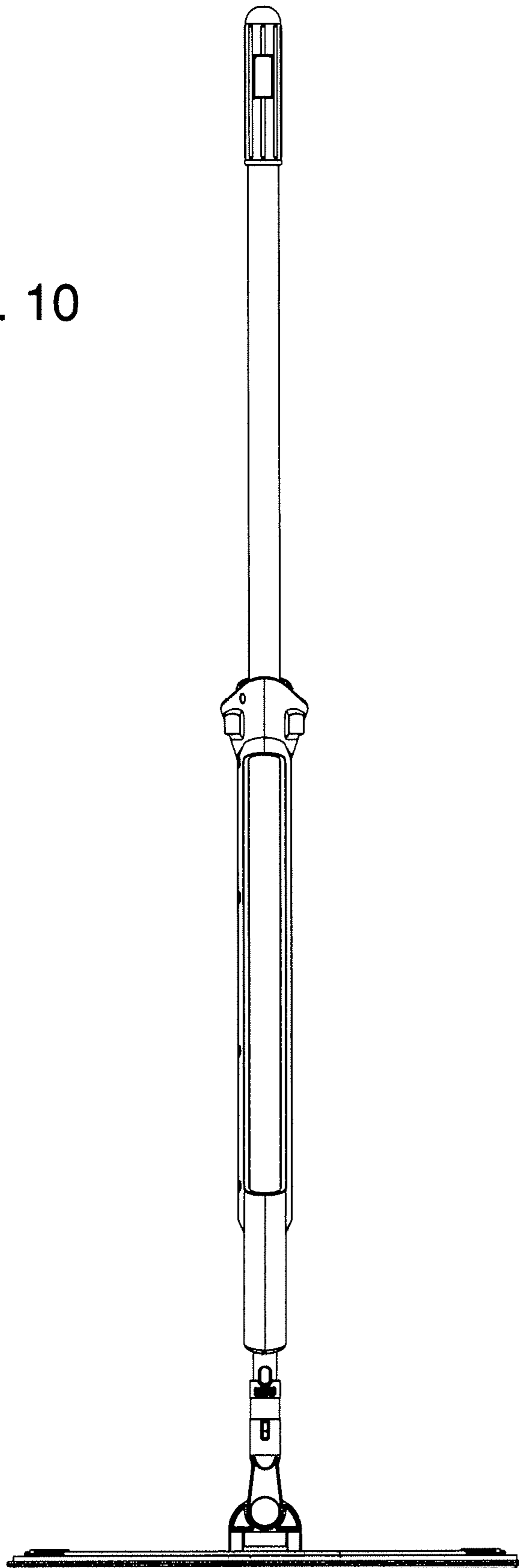


Fig. 11

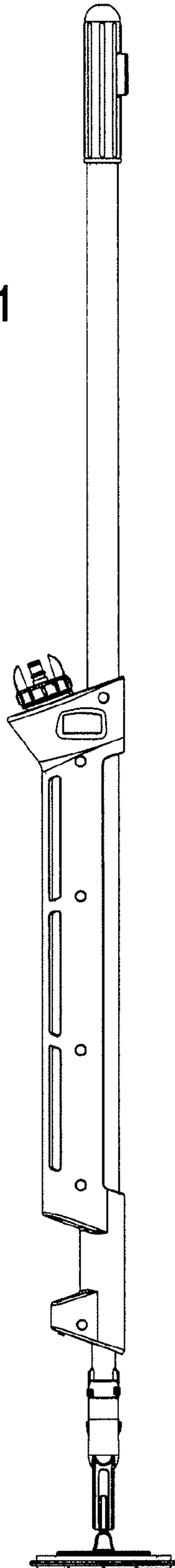


Fig. 12

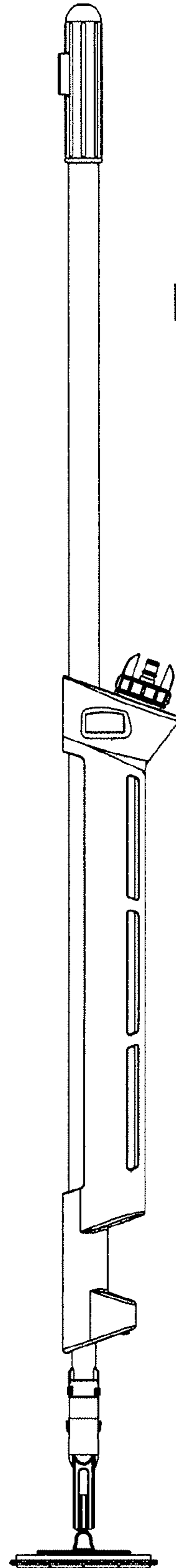


Fig. 13

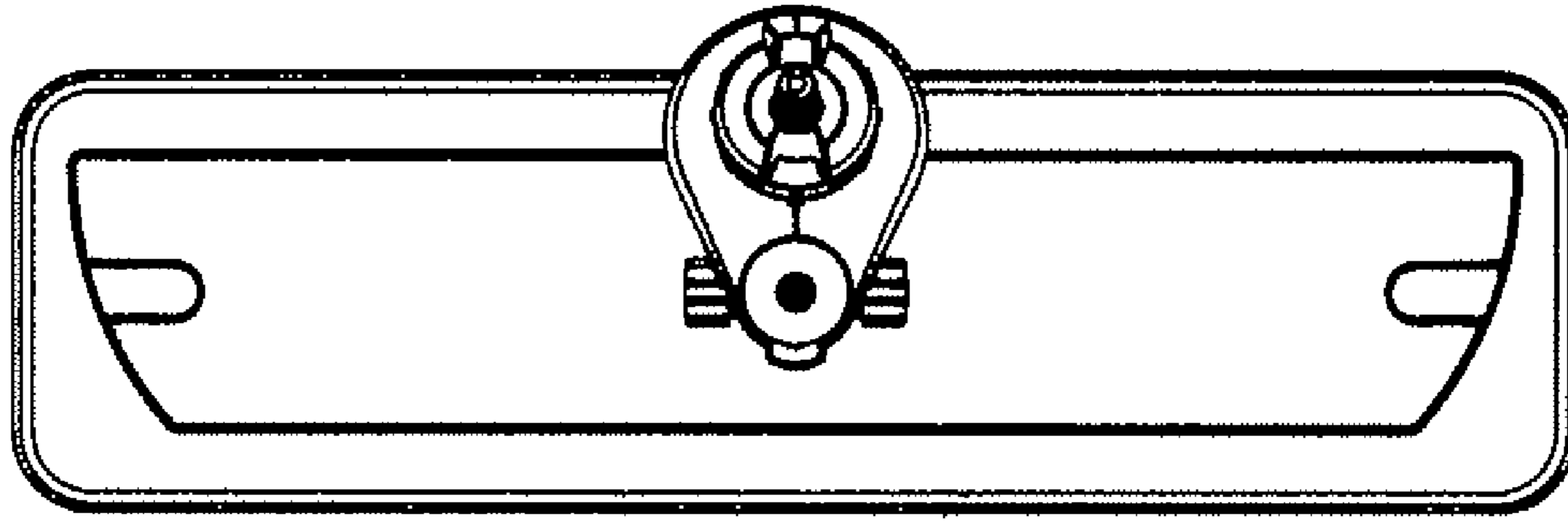


Fig. 14

