

US00D586513S

(12) **United States Design Patent**
PZW Pho

(10) **Patent No.:** **US D586,513 S**

(45) **Date of Patent:** **** Feb. 10, 2009**

(54) **MOP**

(75) Inventor: **Ashley PZW Pho**, Leesburg, VA (US)

(73) Assignee: **Rubbermaid Commercial Products LLC**, Winchester, VA (US)

(**) Term: **14 Years**

(21) Appl. No.: **29/317,612**

(22) Filed: **May 2, 2008**

(51) **LOC (9) Cl.** **04-01**

(52) **U.S. Cl.** **D32/50**

(58) **Field of Classification Search** D32/40,
D32/50-51; 15/146, 147.1, 149, 159.1, 171,
15/190, 209.1, 228, 231-232, 210.1, 119.2,
15/150, 236.01-236.07, 337; 401/137-140;
30/169, 171-172, 228

See application file for complete search history.

(56) **References Cited**

U.S. PATENT DOCUMENTS

D302,759	S *	8/1989	Batchelor	D32/44
5,960,508	A *	10/1999	Holt et al.	15/228
D423,742	S *	4/2000	Kingry et al.	D32/40
6,484,346	B2 *	11/2002	Kingry et al.	15/231
6,588,045	B2 *	7/2003	Fernandez	15/119.2
6,651,290	B2 *	11/2003	Kingry et al.	15/231
D497,699	S *	10/2004	Chi-Hsiang et al.	D32/45
7,096,531	B2 *	8/2006	Policicchio	15/228
D544,668	S *	6/2007	Harper et al.	D32/51

* cited by examiner

Primary Examiner—Pamela J Burgess

(74) *Attorney, Agent, or Firm*—Foley & Lardner LLP

(57) **CLAIM**

I claim the ornamental design for a mop, as shown and described.

DESCRIPTION

FIG. 1 is a top rear perspective view of a first embodiment of a mop according to my new design;

FIG. 2 is a front view of the mop shown in FIG. 1;

FIG. 3 is a rear view of the mop shown in FIG. 1;

FIG. 4 is a left side view of the mop shown in FIG. 1;

FIG. 5 is a right side view of the mop shown in FIG. 1;

FIG. 6 is a top view of the mop shown in FIG. 1;

FIG. 7 is a bottom view of the mop shown in FIG. 1;

FIG. 8 is a top rear perspective view of a second embodiment of a mop according to my new design;

FIG. 9 is a front view of the mop shown in FIG. 8;

FIG. 10 is a rear view of the mop shown in FIG. 8;

FIG. 11 is a left side view of the mop shown in FIG. 8;

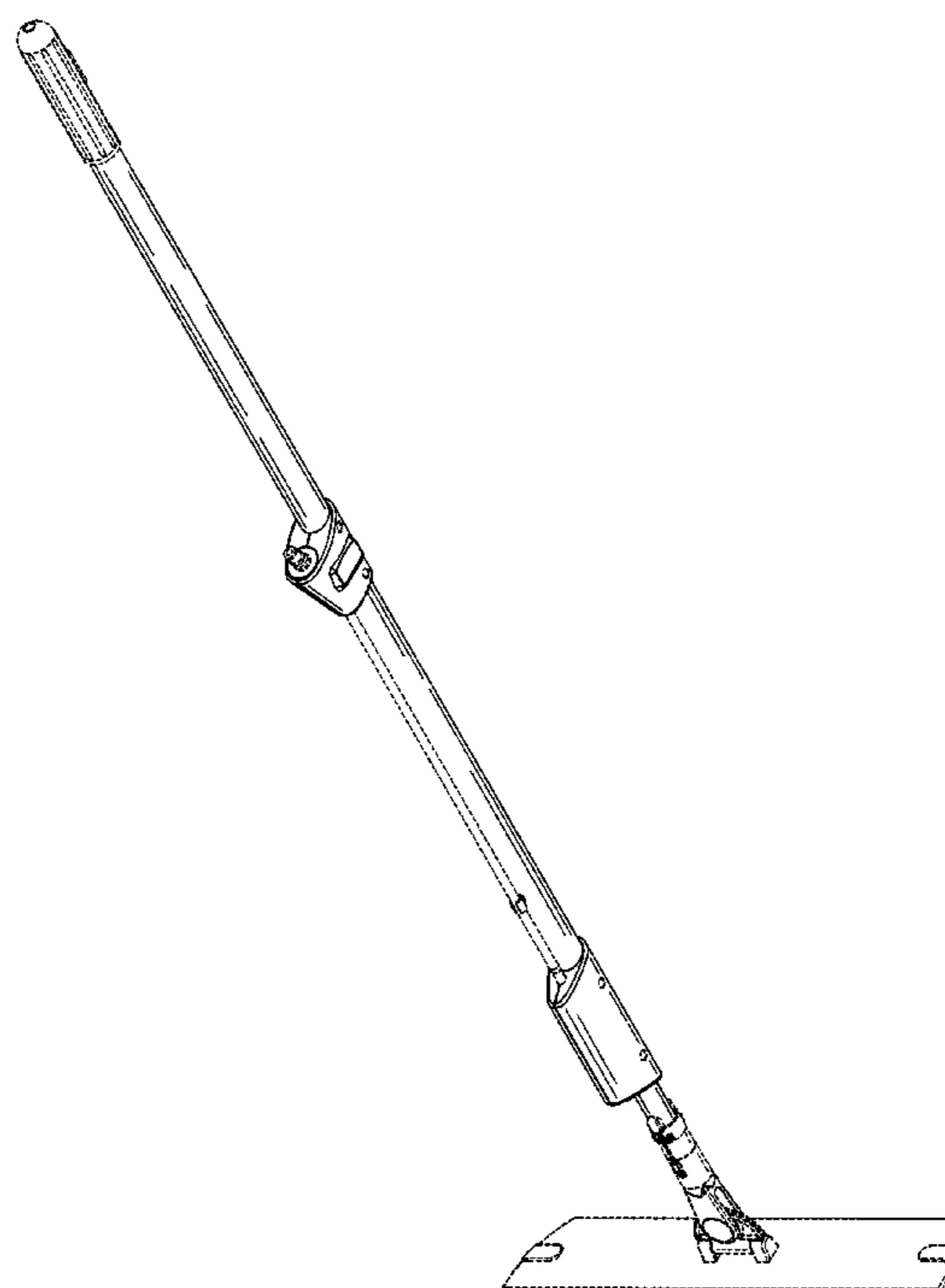
FIG. 12 is a right side view of the mop shown in FIG. 8;

FIG. 13 is a top view of the mop shown in FIG. 8; and,

FIG. 14 is a bottom view of the mop shown in FIG. 8.

The ornamental design which is claimed is shown in solid lines in the drawings. The broken lines in the drawings are for illustrative purposes only and form no part of the claimed design.

1 Claim, 8 Drawing Sheets



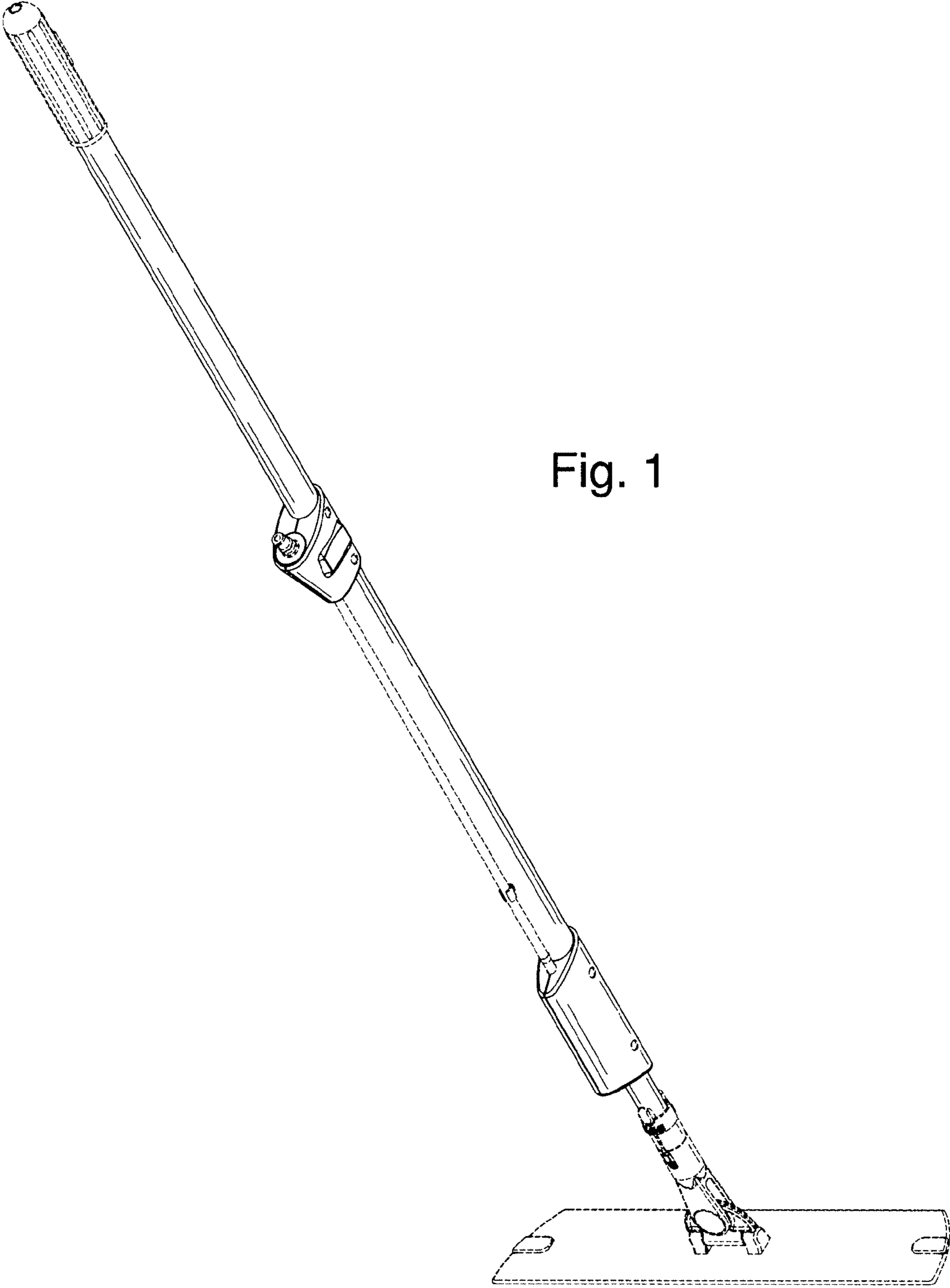


Fig. 1

Fig. 2

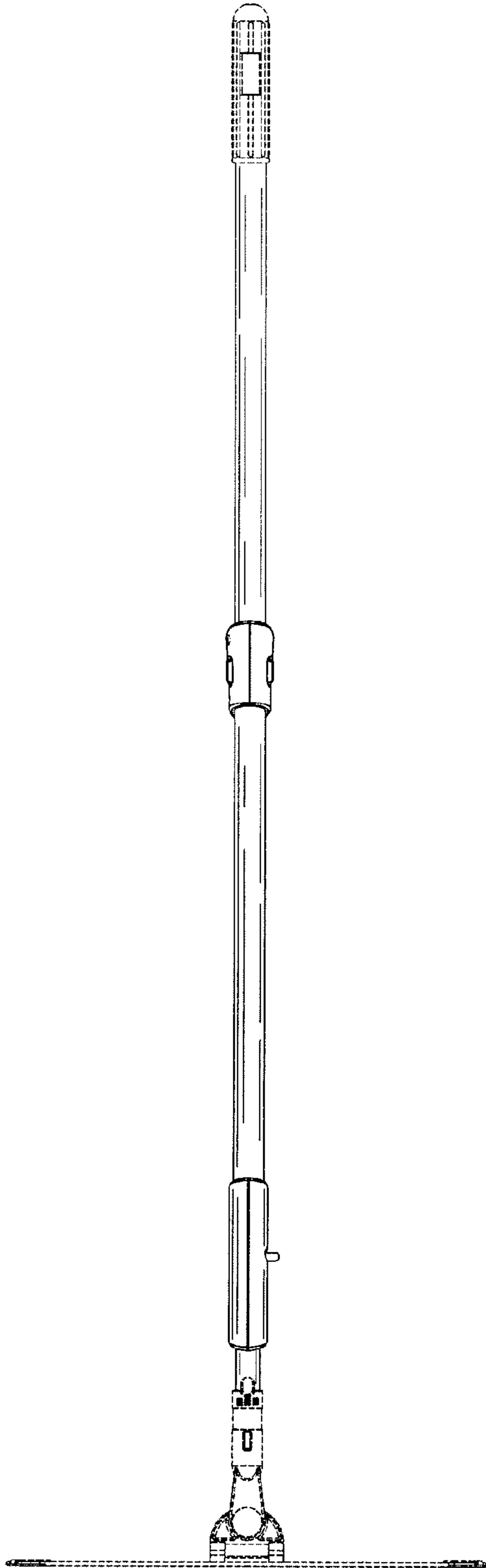


Fig. 3

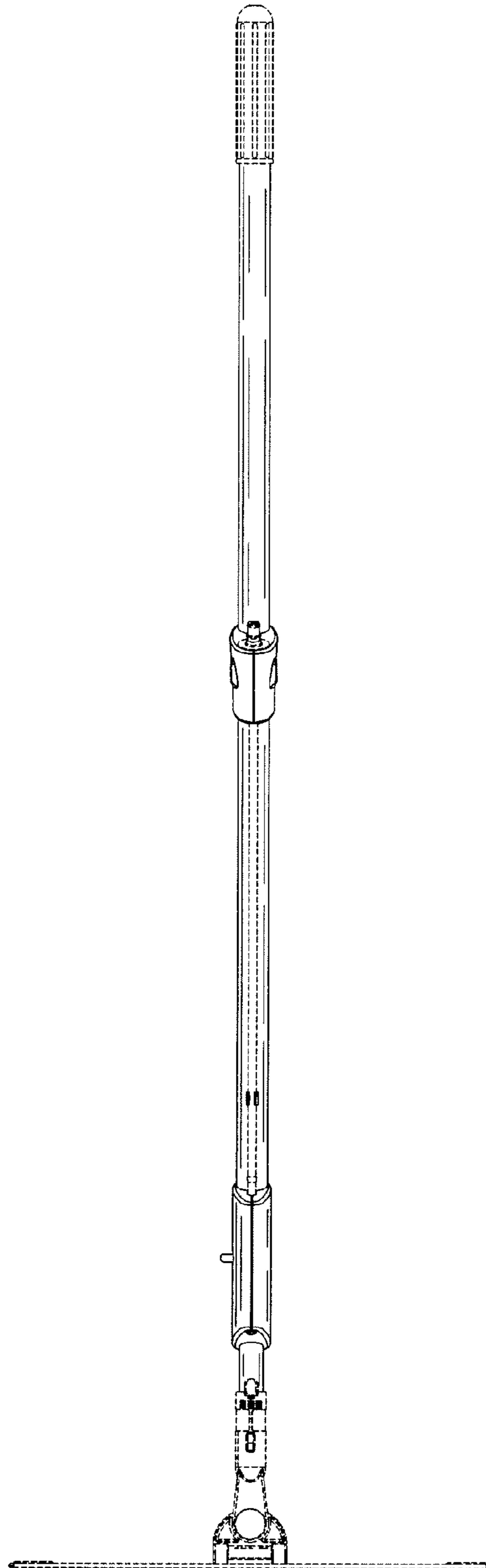


Fig. 4

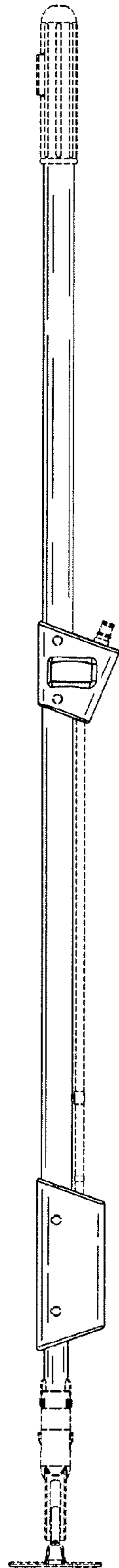


Fig. 5

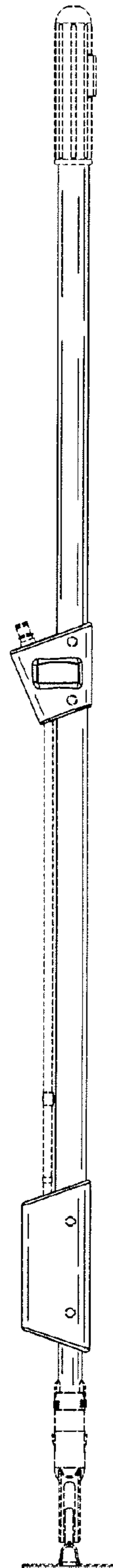


Fig. 6

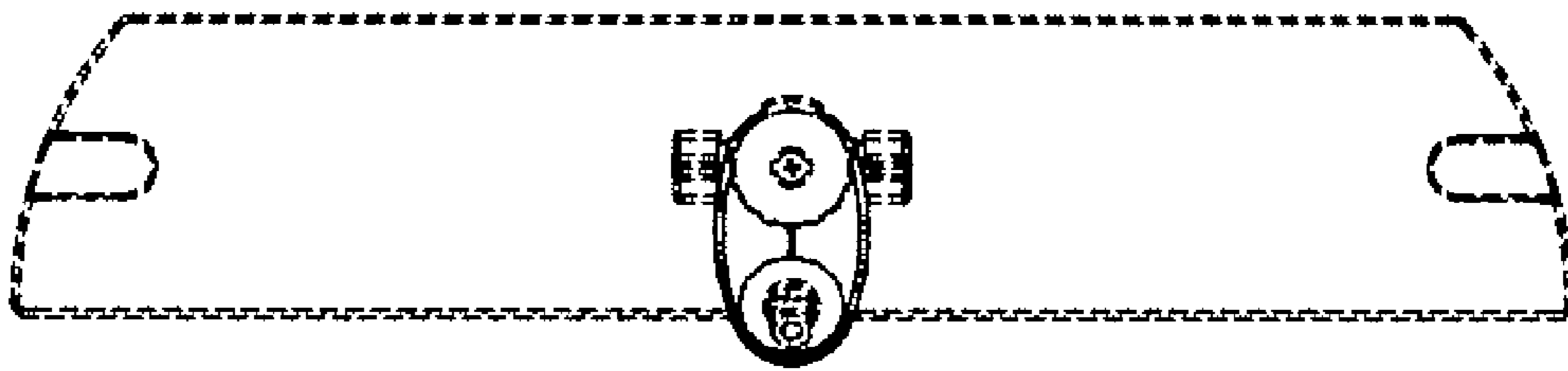
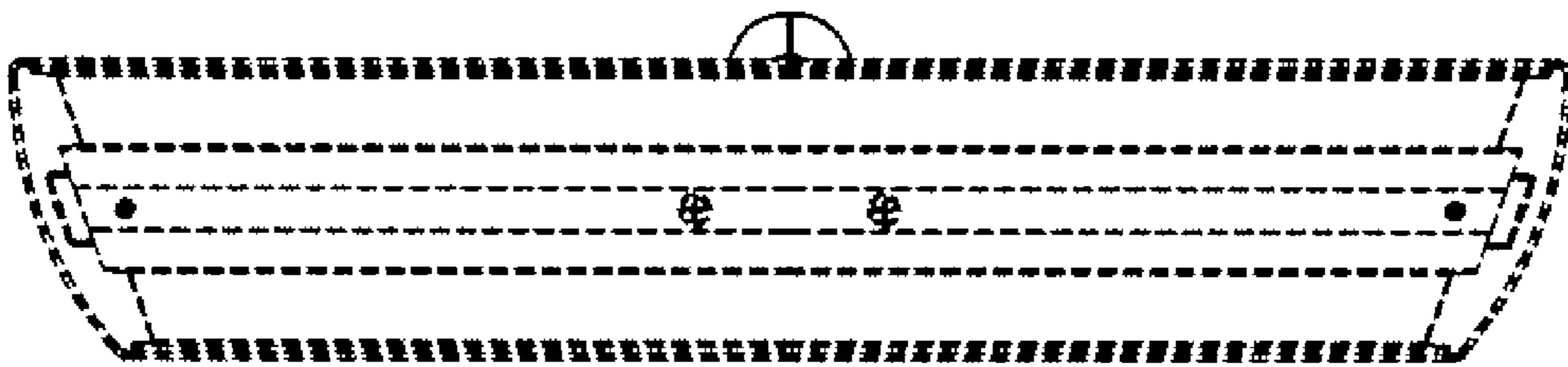


Fig. 7



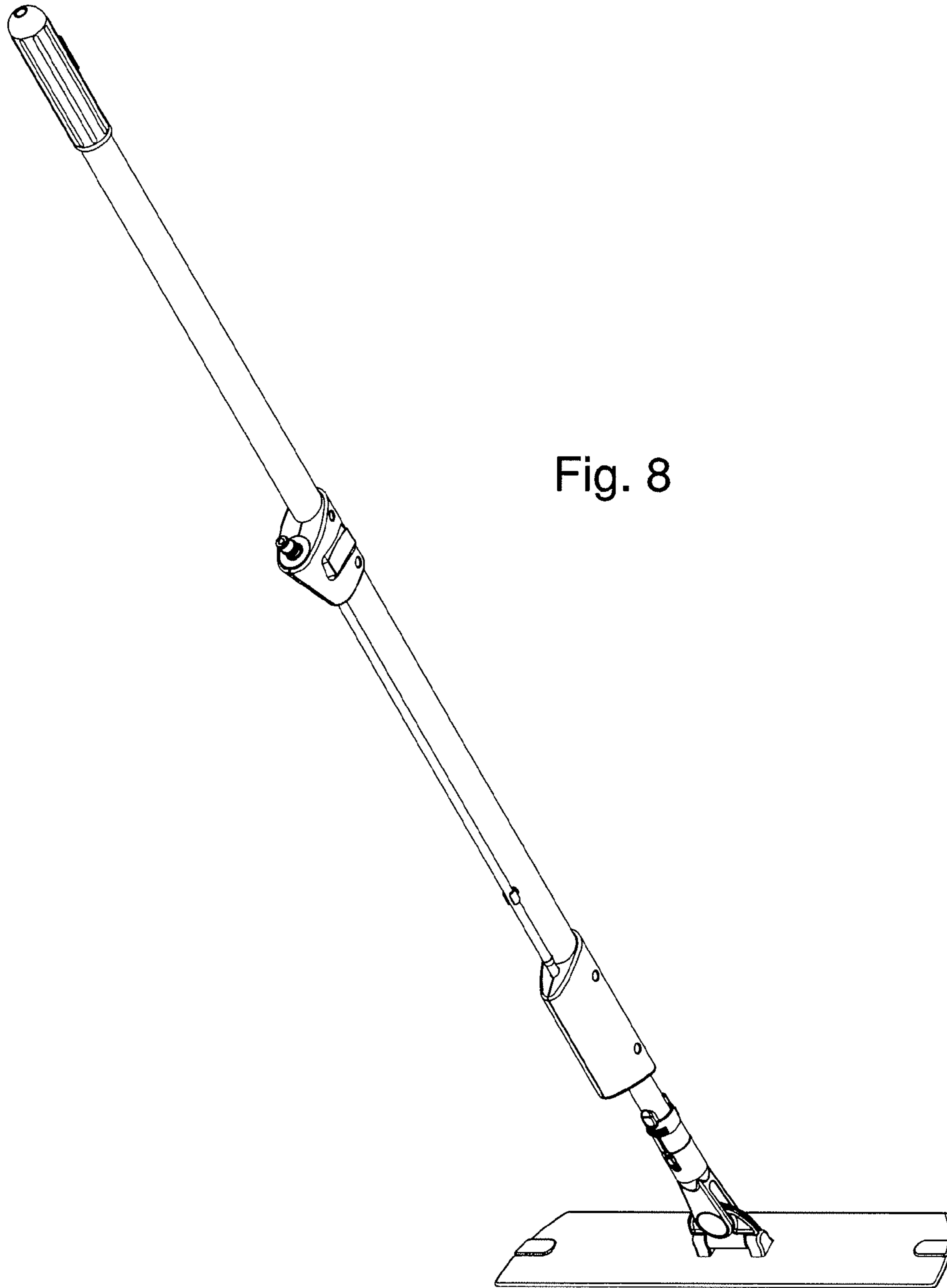


Fig. 8

Fig. 9

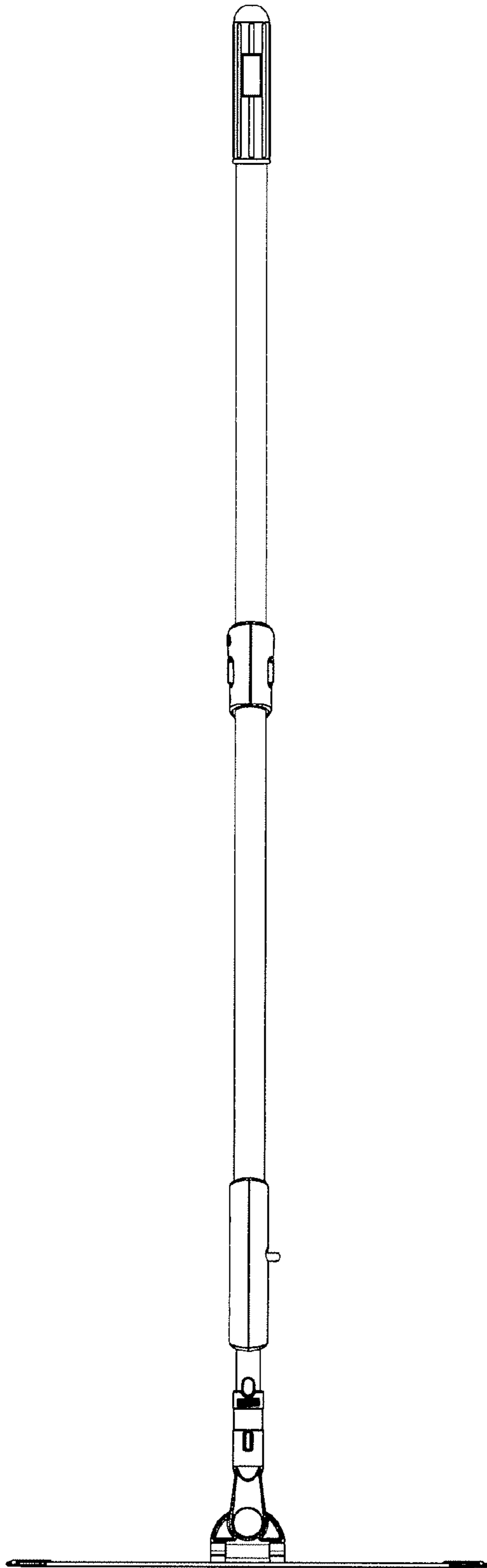


Fig. 10

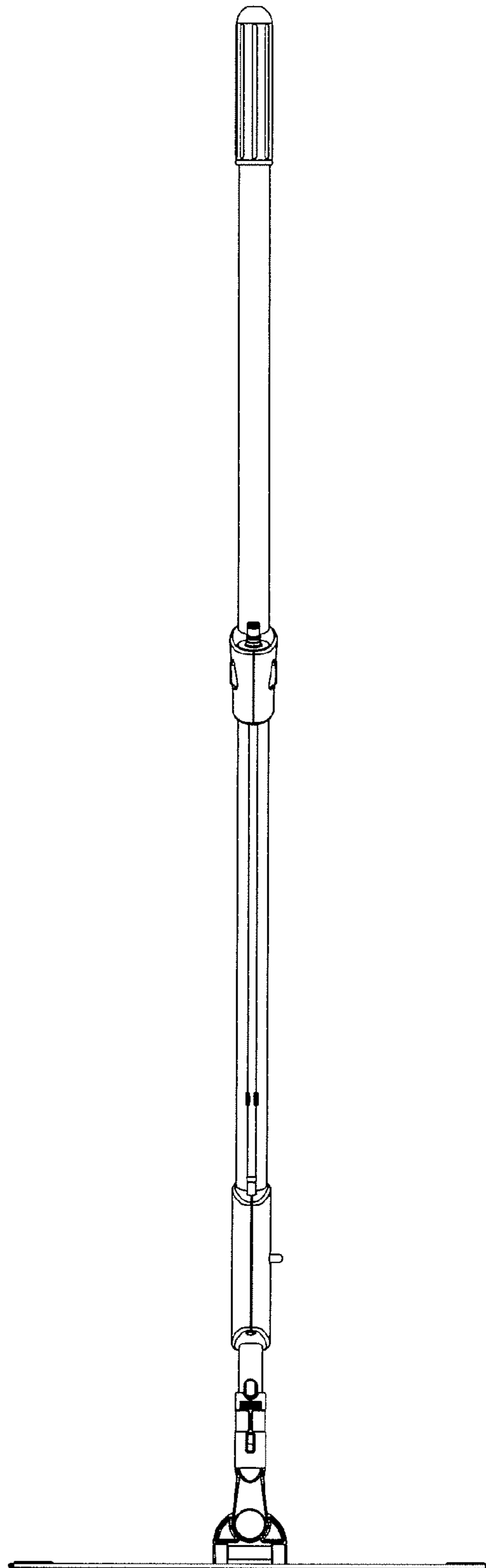


Fig. 11

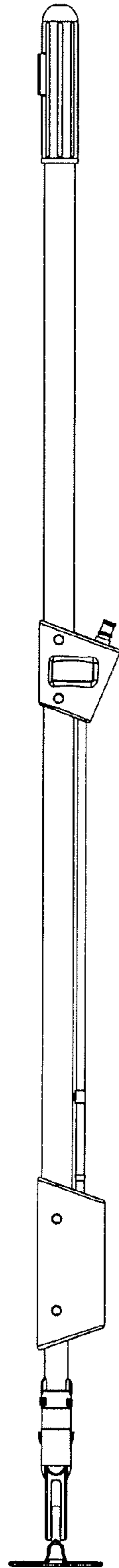


Fig. 12

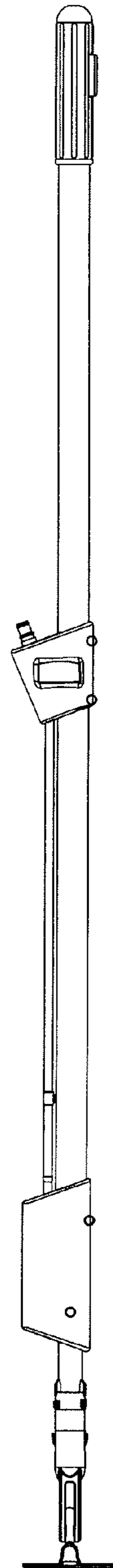


Fig. 13

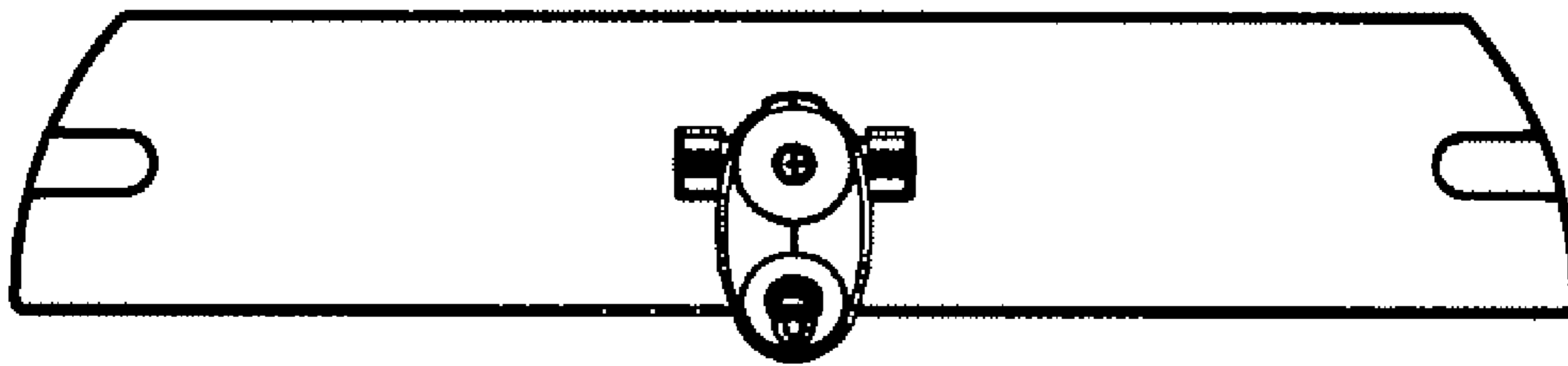


Fig. 14

