



US00D586512S

(12) **United States Design Patent**  
**van Deursen**

(10) **Patent No.:** **US D586,512 S**

(45) **Date of Patent:** **\*\* Feb. 10, 2009**

(54) **MINI SCRAPER**

(75) **Inventor:** **Gary E. van Deursen**, Essex, CT (US)

(73) **Assignee:** **American Safety Razor**, Verona, VA (US)

(\*\*) **Term:** **14 Years**

(21) **Appl. No.:** **29/290,898**

(22) **Filed:** **Jan. 28, 2008**

(51) **LOC (9) Cl.** ..... **07-05**

(52) **U.S. Cl.** ..... **D32/46**

(58) **Field of Classification Search** ..... D32/46-49;  
D8/105, 45; 15/236.01, 236.05-236.08,  
15/245; 30/169, 164.9, 172

See application file for complete search history.

(56) **References Cited**

**U.S. PATENT DOCUMENTS**

D117,388 S *	10/1939	Woinarovicz	.....	D8/45
2,601,723 A	7/1952	Keller		
D169,837 S *	6/1953	Blander	.....	D8/45
3,178,747 A *	4/1965	Peterson	.....	15/236.01
3,964,162 A	6/1976	Gerson et al.		
4,238,883 A	12/1980	Jacobson et al.		
D269,944 S *	8/1983	Young	.....	D8/349
4,558,517 A	12/1985	Gringer		
4,612,707 A	9/1986	Shea		
4,803,751 A	2/1989	Cousins		
D302,880 S *	8/1989	Terry	.....	D32/46
4,955,138 A	9/1990	Henke et al.		
4,979,300 A	12/1990	Blank et al.		
5,321,868 A *	6/1994	Coulson et al.	.....	15/245.1
D349,592 S *	8/1994	Stoll	.....	D32/46
RE34,979 E	6/1995	Gringer		
5,433,004 A	7/1995	Thompson et al.		
5,528,832 A	6/1996	Schmidt		
D450,412 S *	11/2001	Hajduk	.....	D32/46
D463,639 S	9/2002	Panfili et al.		

D467,395 S	12/2002	McCool		
D489,851 S	5/2004	Jones et al.		
6,775,912 B2	8/2004	Panfili et al.		
D499,851 S *	12/2004	Kortleven	.....	D32/46
D500,644 S *	1/2005	Cavanaugh	.....	D7/696
6,898,855 B2	5/2005	Jones et al.		
2005/0081318 A1	4/2005	Boutilier		
2005/0120564 A1	6/2005	Lin		

**FOREIGN PATENT DOCUMENTS**

JP	3-286067	12/1991
JP	2005-224303	8/2005

**OTHER PUBLICATIONS**

“Mini-Glass Scraper,” Allway, Aubuchon Hardware, <http://www.paint-and-supplies.hardwarestore.com/50-273-razor-scrapers/mini-glass-scraper-140095.aspx>, retrieved on Feb. 6, 2008.

\* cited by examiner

*Primary Examiner*—Pamela J Burgess

(74) *Attorney, Agent, or Firm*—McDermott Will & Emery LLP

(57) **CLAIM**

The ornamental design for a mini scraper, as shown and described.

**DESCRIPTION**

FIG. 1 is a front perspective view of the mini scraper, showing the new design;

FIG. 2 is a front view of the mini scraper;

FIG. 3 is a rear view of the mini scraper;

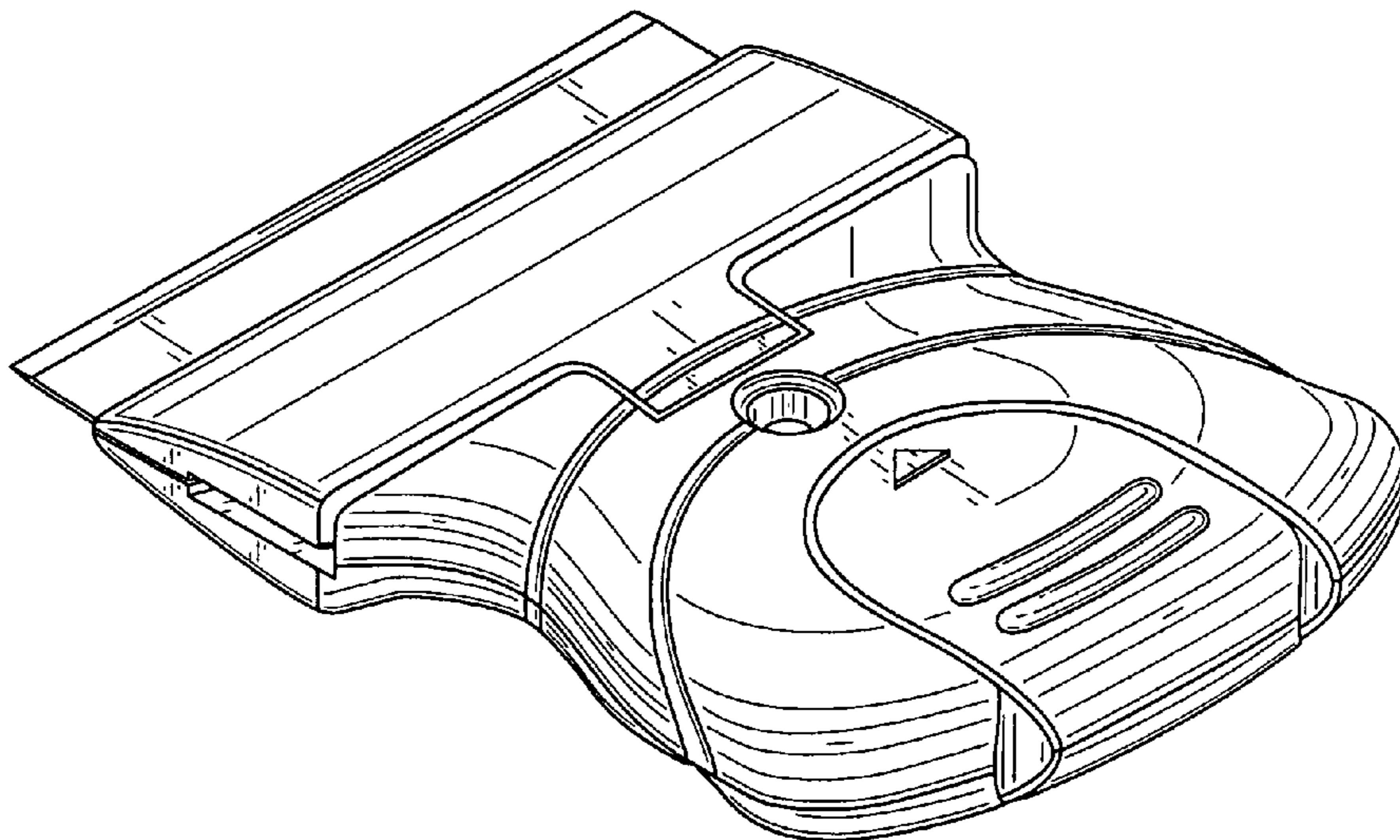
FIG. 4 is a side view of the mini scraper;

FIG. 5 is another side view of the mini scraper;

FIG. 6 is a top view of the mini scraper; and,

FIG. 7 is a bottom view of the mini scraper.

**1 Claim, 5 Drawing Sheets**



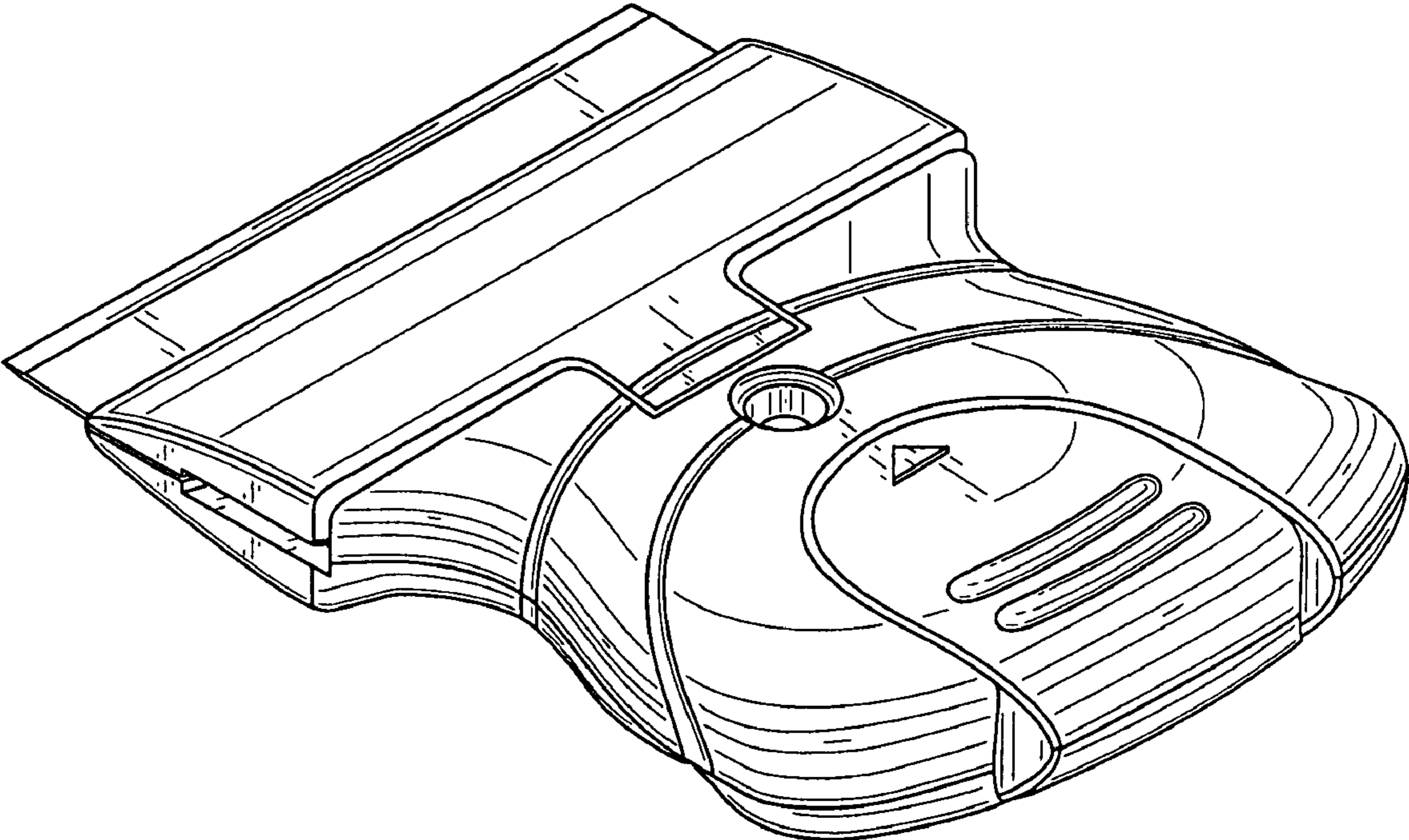


FIG. 1

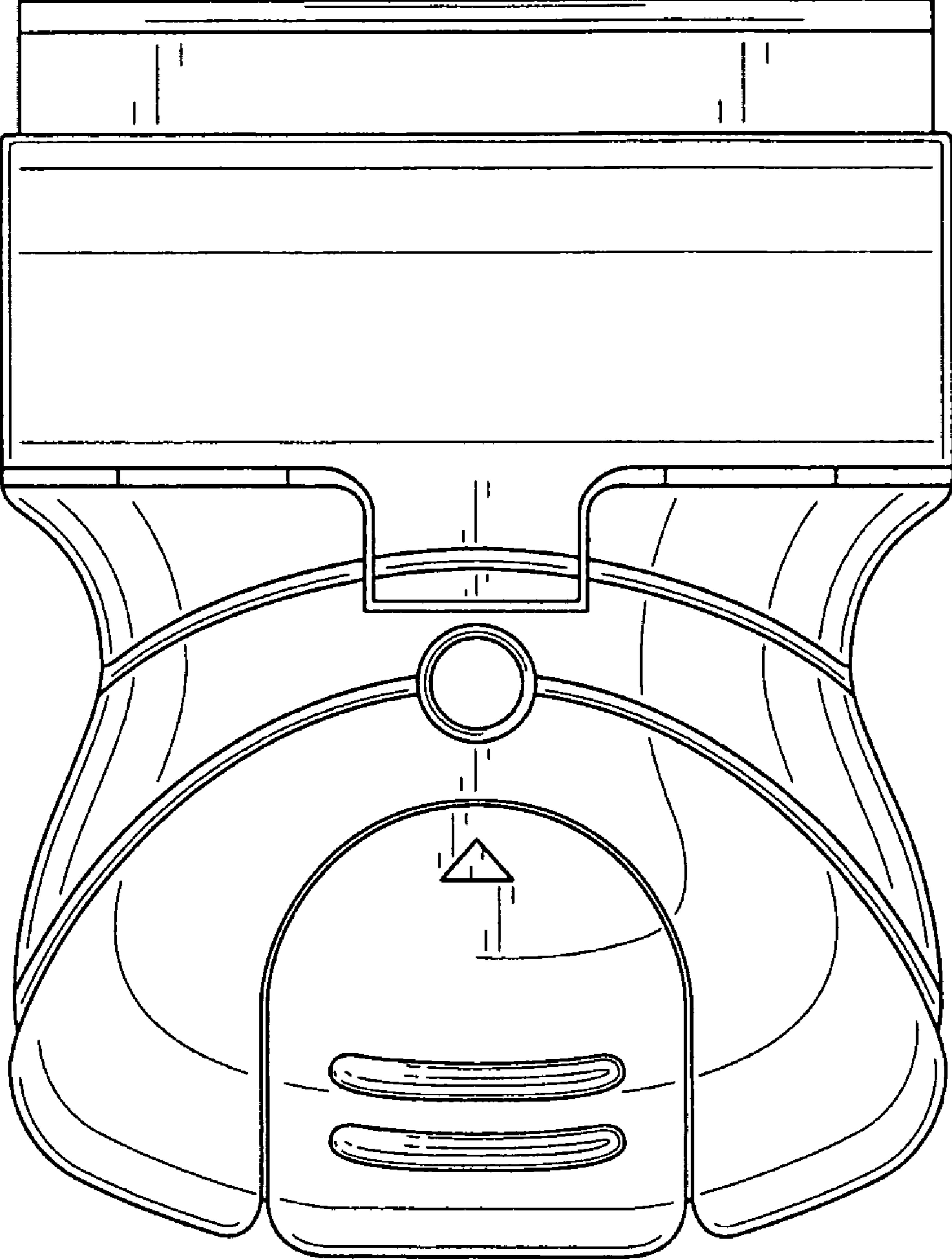


FIG. 2

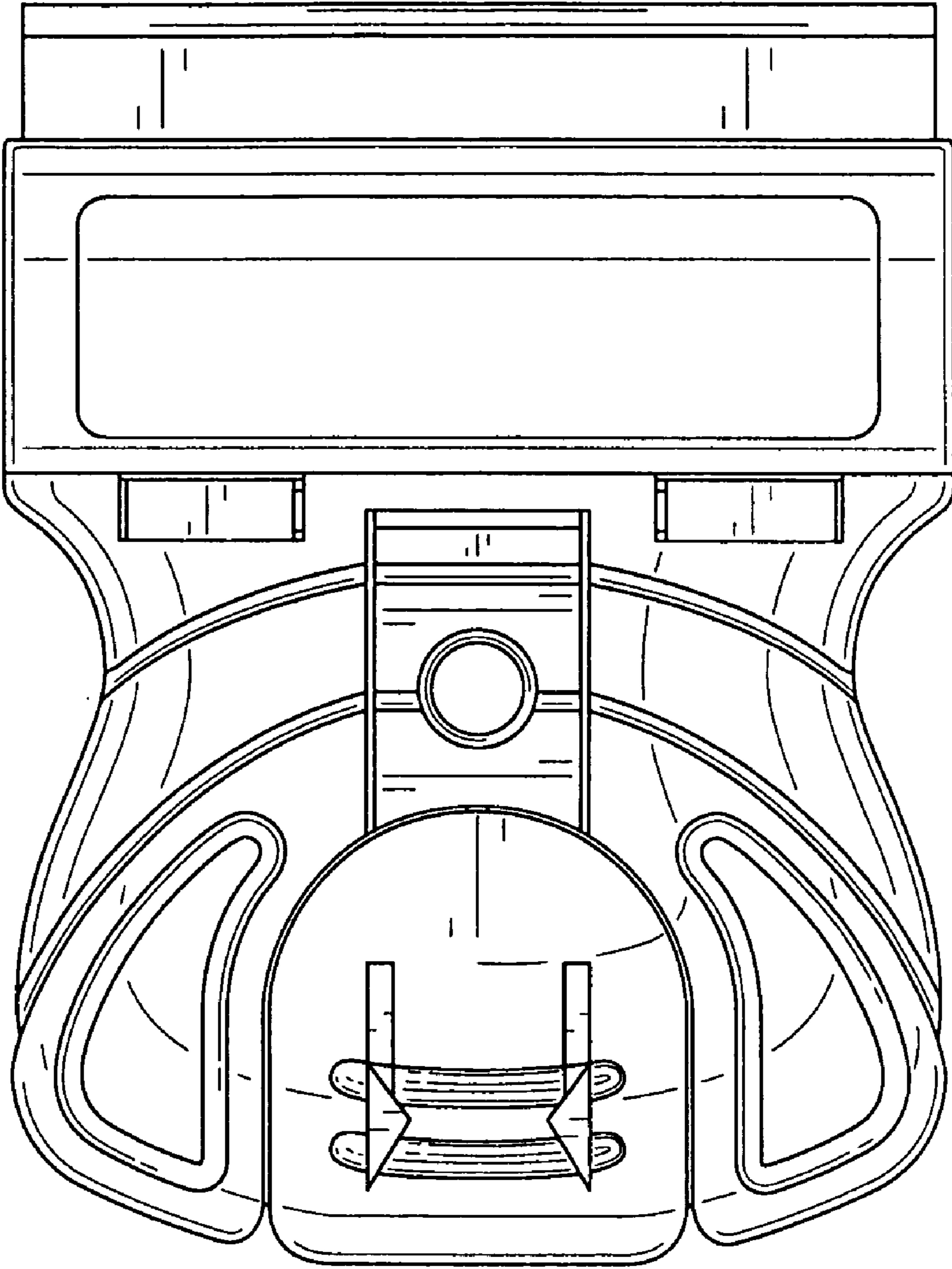


FIG. 3

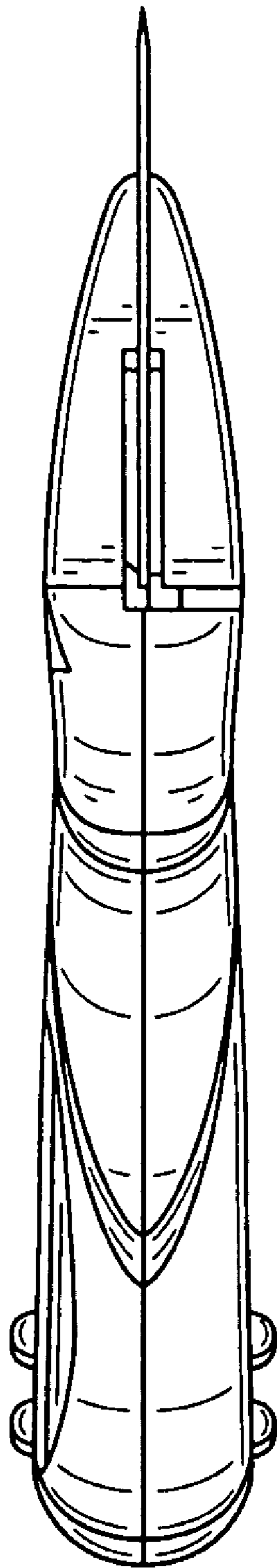


FIG. 4

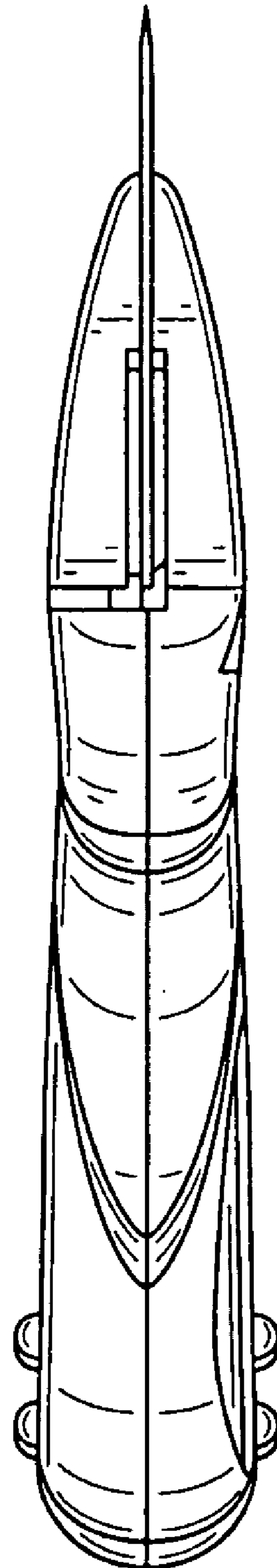


FIG. 5

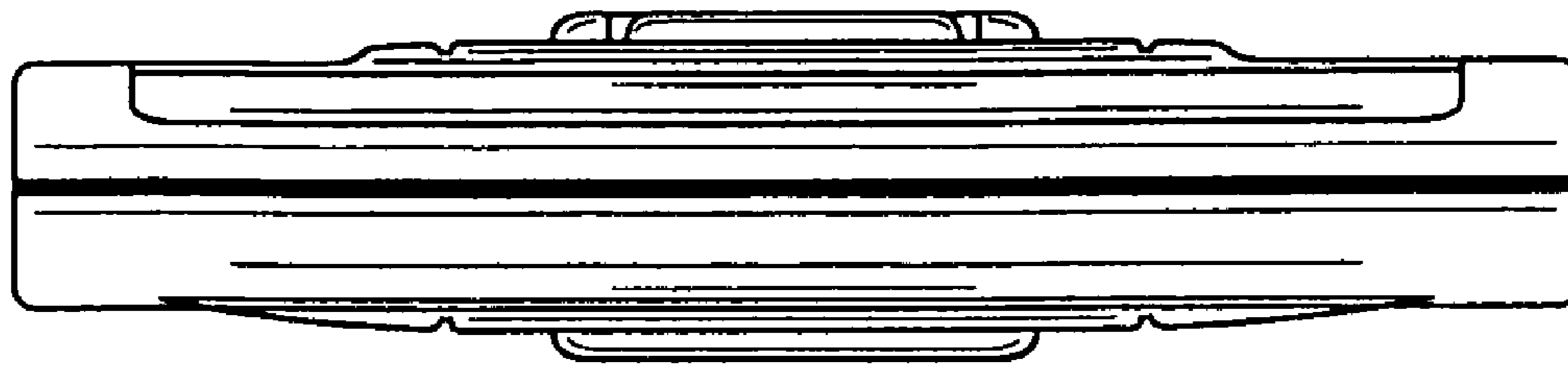


FIG. 6

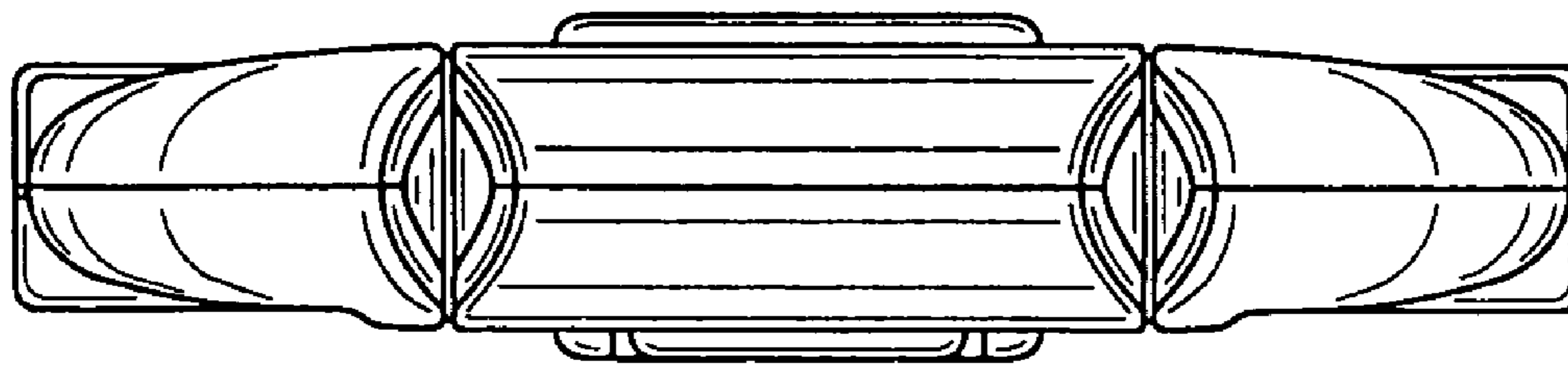


FIG. 7