



US00D586505S

(12) **United States Design Patent**
Moon

(10) **Patent No.:** **US D586,505 S**
(45) **Date of Patent:** **** Feb. 10, 2009**

(54) **COMPACT**

(75) Inventor: **Hyun-Myung Moon**, Yongin (KR)

(73) Assignee: **Interwork Korea Co., Ltd.**,
Yeongdeungpo-Gu, Seoul (KR)

(**) Term: **14 Years**

(21) Appl. No.: **29/296,762**

(22) Filed: **Oct. 26, 2007**

(51) **LOC (9) Cl.** **28-03**

(52) **U.S. Cl.** **D28/82**

(58) **Field of Classification Search** D28/76-84;
132/312-318, 293-307, 286-288; 220/DIG. 26;
206/581, 823

See application file for complete search history.

(56) **References Cited**

U.S. PATENT DOCUMENTS

- D138,341 S * 7/1944 Dawer D28/83
- D300,268 S * 3/1989 Holterscheidt D28/83
- D437,664 S * 2/2001 Thorpe et al. D28/83
- D438,346 S * 2/2001 Thorpe et al. D28/77
- D517,245 S * 3/2006 Ditrichstein et al. D28/83

* cited by examiner

Primary Examiner—Jennifer Rivard
(74) *Attorney, Agent, or Firm*—Sheridan Ross P.C.

(57) **CLAIM**

The ornamental design for a compact, as shown and described.

DESCRIPTION

FIG. 1 is a perspective view of a compact showing my new design;

FIG. 2 is a front elevational view thereof;

FIG. 3 is a rear elevational view thereof;

FIG. 4 is a left side elevational view thereof;

FIG. 5 is a right side elevational view thereof;

FIG. 6 is a top plan view thereof; and,

FIG. 7 is a bottom plan view thereof.

FIG. 8 is a perspective view of the compact according to our new design in a state in which an inner portion of the compact is pulled out from its original position.

The surface(s) or portion(s) of the article not shown in the drawing or described in the specification form(s) no part of the claimed design.

1 Claim, 8 Drawing Sheets

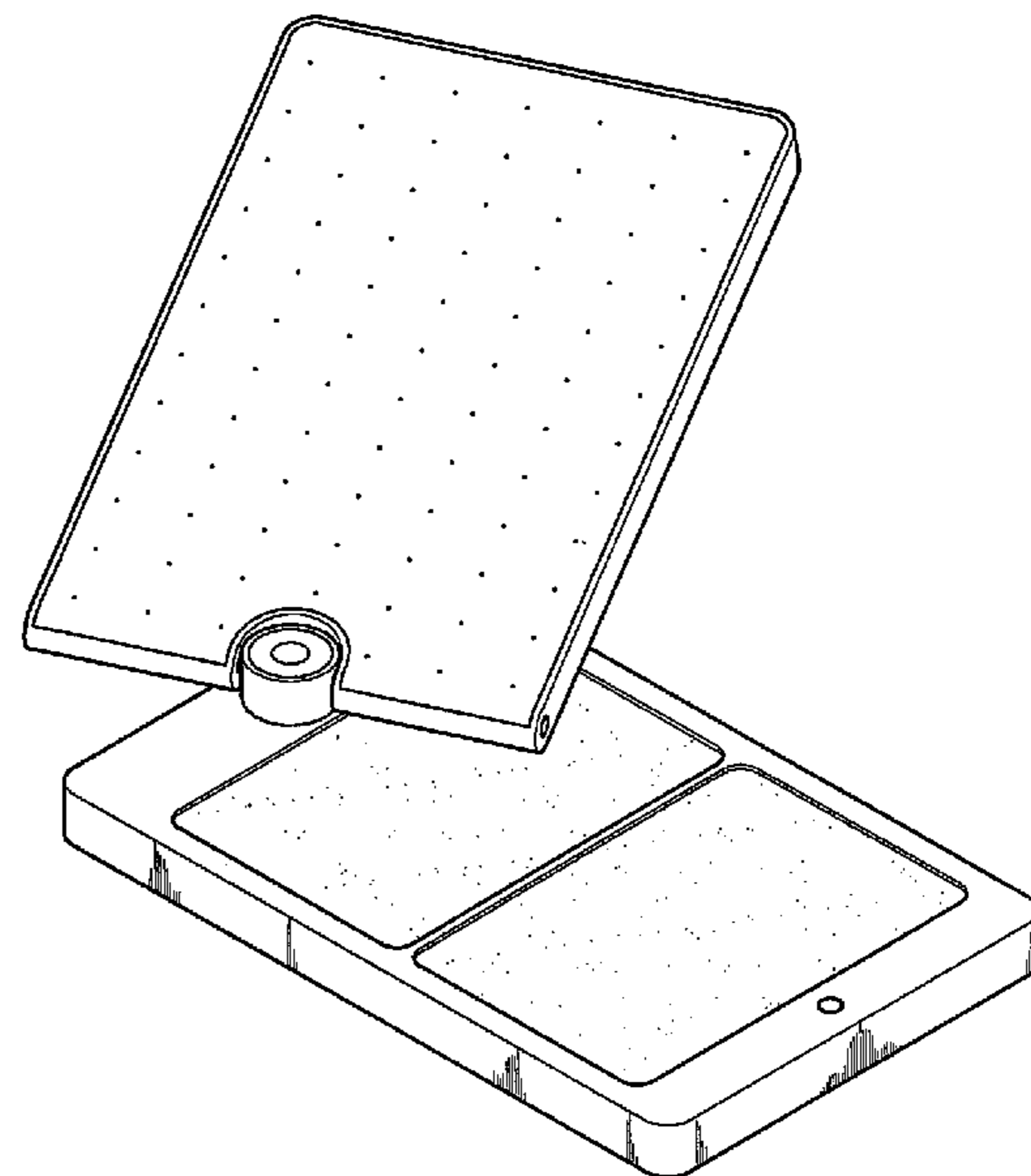
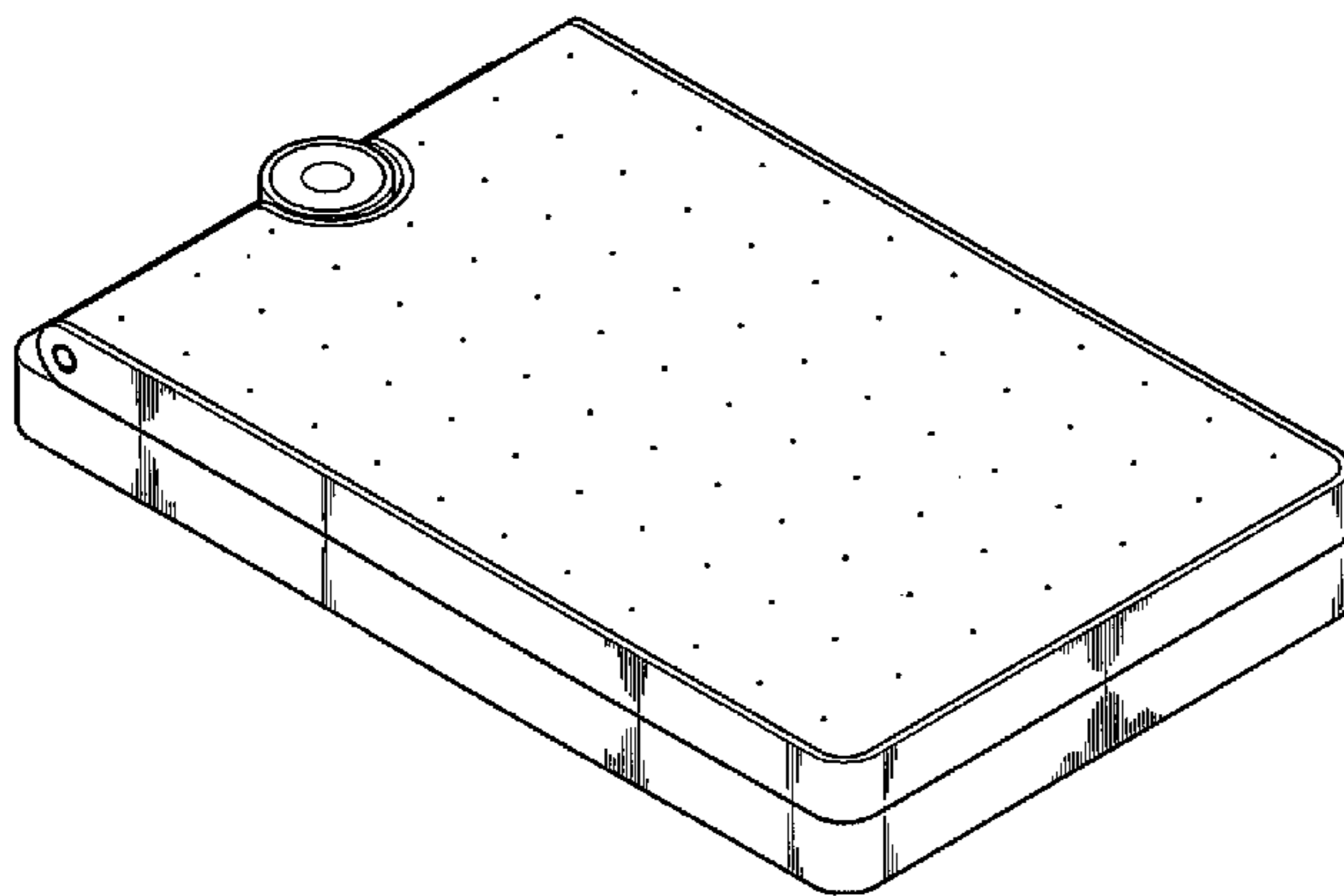


FIG. 1

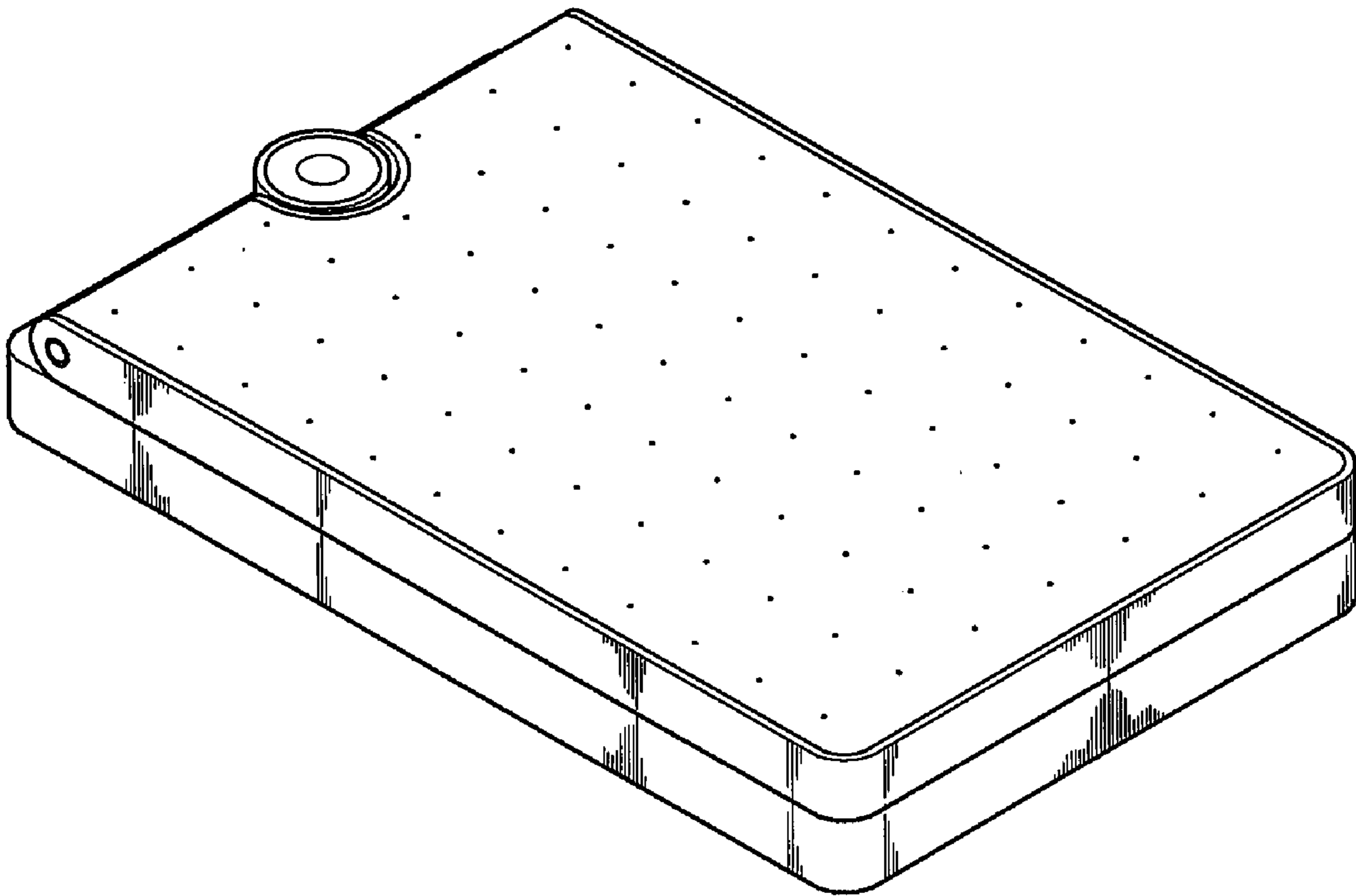


FIG. 2

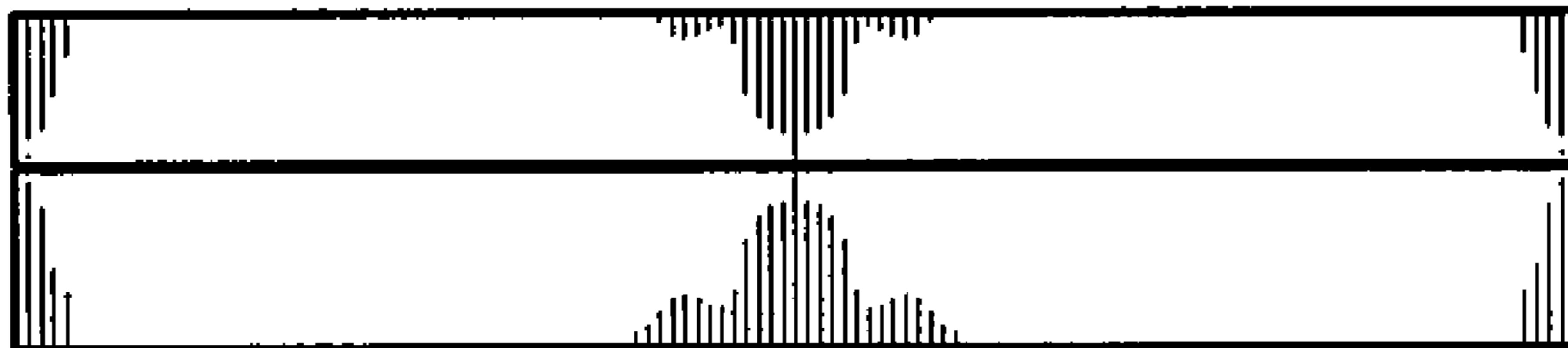


FIG. 3

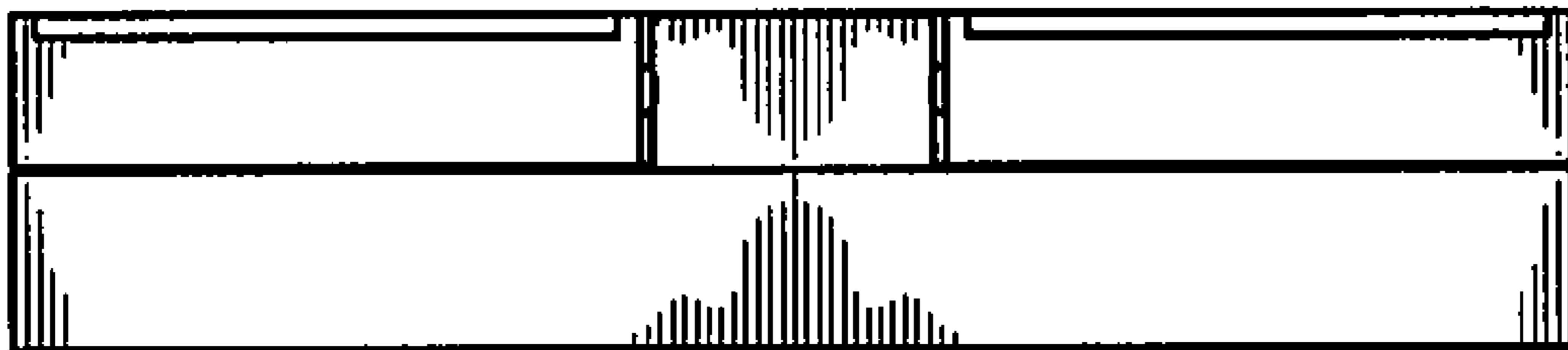


FIG. 4

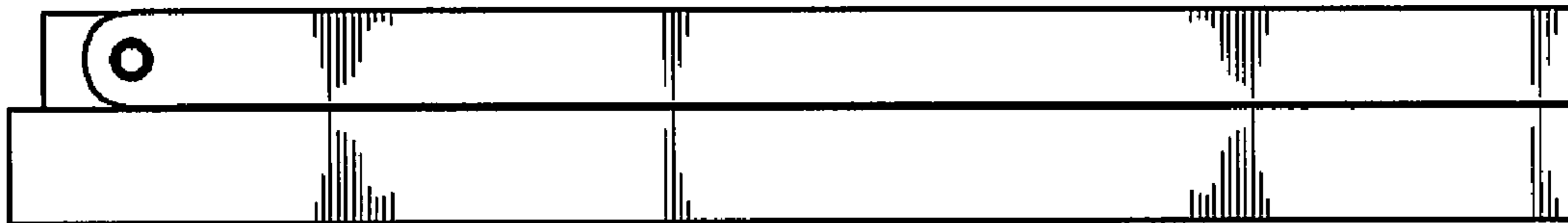


FIG. 5

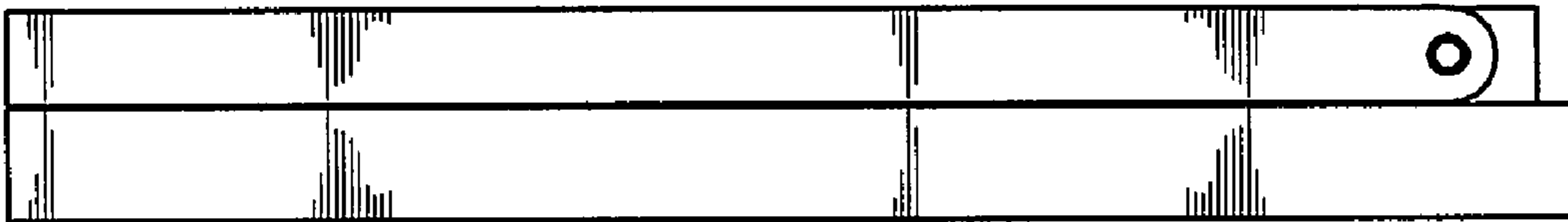


FIG. 6

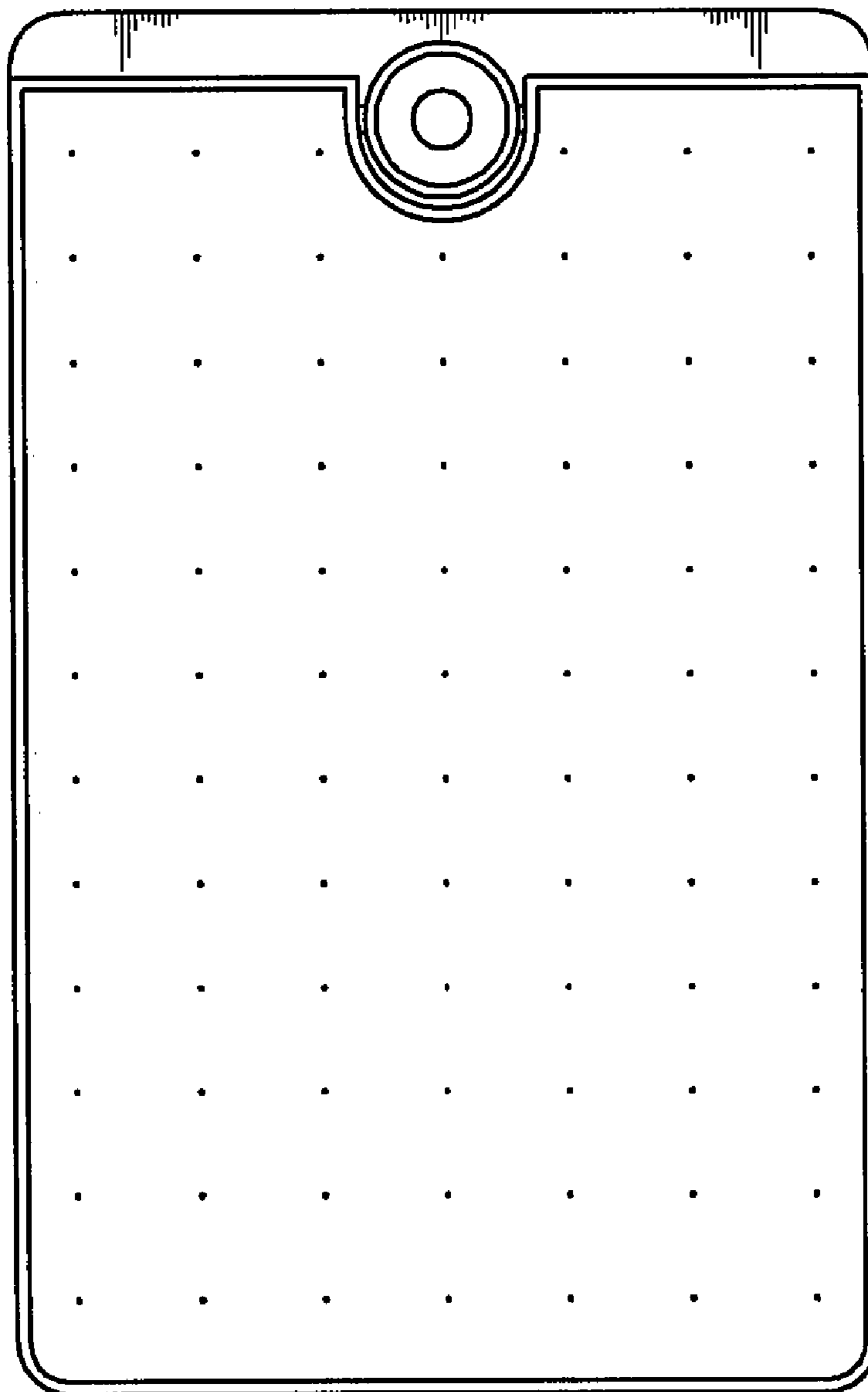


FIG. 7

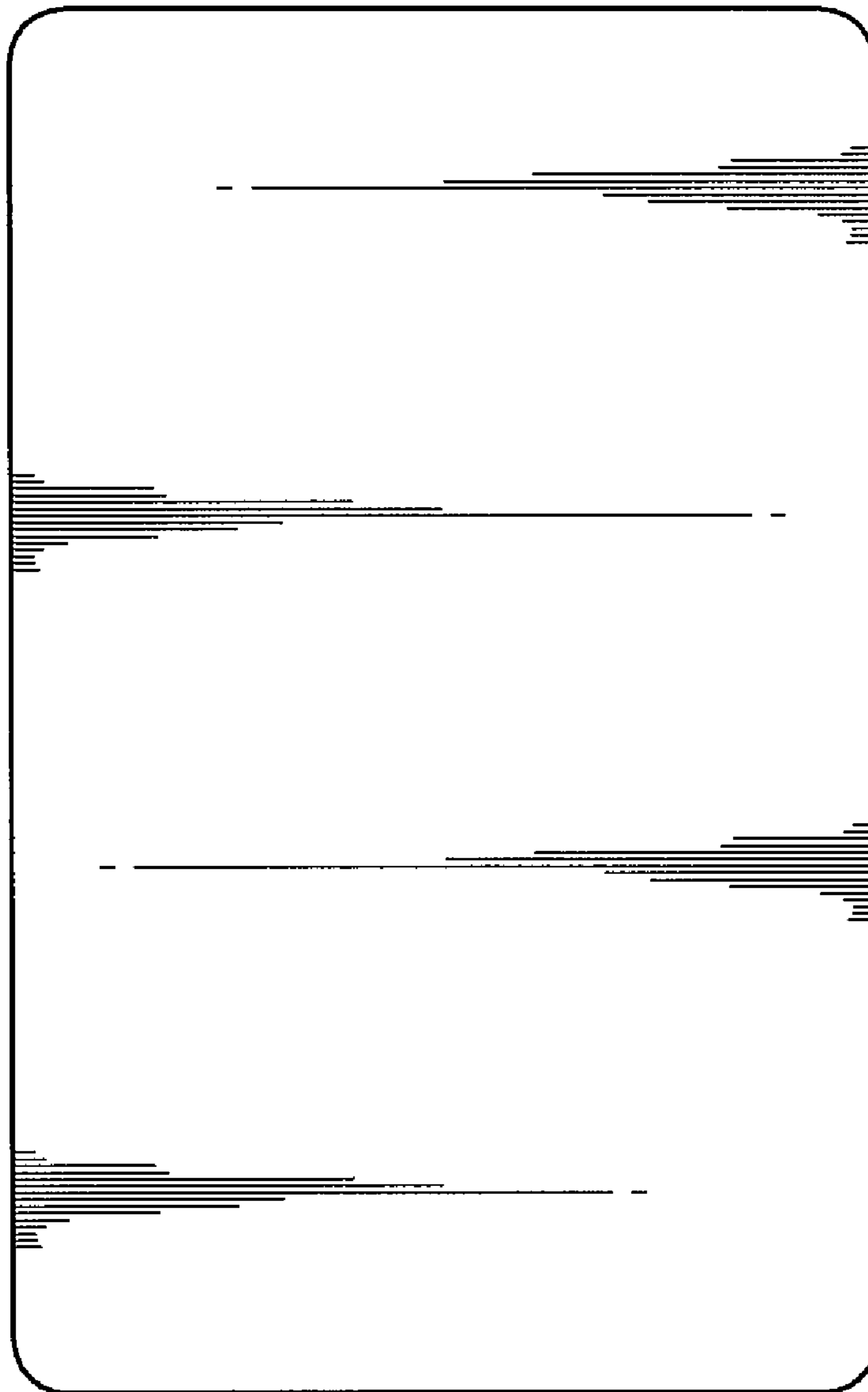


FIG. 8

