



US00D586504S

(12) **United States Design Patent**  
**Moon**

(10) **Patent No.:** **US D586,504 S**

(45) **Date of Patent:** **\*\* Feb. 10, 2009**

(54) **COMPACT**

(75) Inventor: **Hyun-Myung Moon**, Yongin (KR)

(73) Assignee: **Interwork Korea Co., Ltd.**,  
Yeongdeungpo-Gu, Seoul (KR)

(\*\*) Term: **14 Years**

(21) Appl. No.: **29/296,758**

(22) Filed: **Oct. 26, 2007**

(51) **LOC (9) Cl.** ..... **28-03**

(52) **U.S. Cl.** ..... **D28/82**

(58) **Field of Classification Search** ..... D28/76-84;  
132/312-318, 293-307, 286-288; 220/DIG. 26;  
206/581, 823

See application file for complete search history.

(56) **References Cited**

U.S. PATENT DOCUMENTS

D138,341 S *	7/1944	Dawer	.....	D28/83
D300,268 S *	3/1989	Holterscheidt	.....	D28/83
D373,221 S *	8/1996	Lai	.....	D28/83
D438,346 S *	2/2001	Thorpe et al.	.....	D28/77
D482,498 S *	11/2003	Jeong	.....	D28/86
D517,245 S *	3/2006	Ditrichstein et al.	.....	D28/83

\* cited by examiner

*Primary Examiner*—Jennifer Rivard

(74) *Attorney, Agent, or Firm*—Sheridan Ross P.C.

(57) **CLAIM**

The ornamental design for a compact, as shown and described.

**DESCRIPTION**

FIG. 1 is a perspective view of a compact showing my new design;

FIG. 2 is a front elevational view thereof;

FIG. 3 is a rear elevational view thereof;

FIG. 4 is a left side elevational view thereof;

FIG. 5 is a right side elevational view thereof;

FIG. 6 is a top plan view thereof; and

FIG. 7 is a bottom plan view thereof; and,

FIG. 8 is a perspective view of the compact according to our new design in a state in which a opened cover plate of the compact is rotated from its original position.

The surface(s) or portion(s) of the article not shown in the drawing or described in the specification form(s) no part of the claimed design.

**1 Claim, 8 Drawing Sheets**

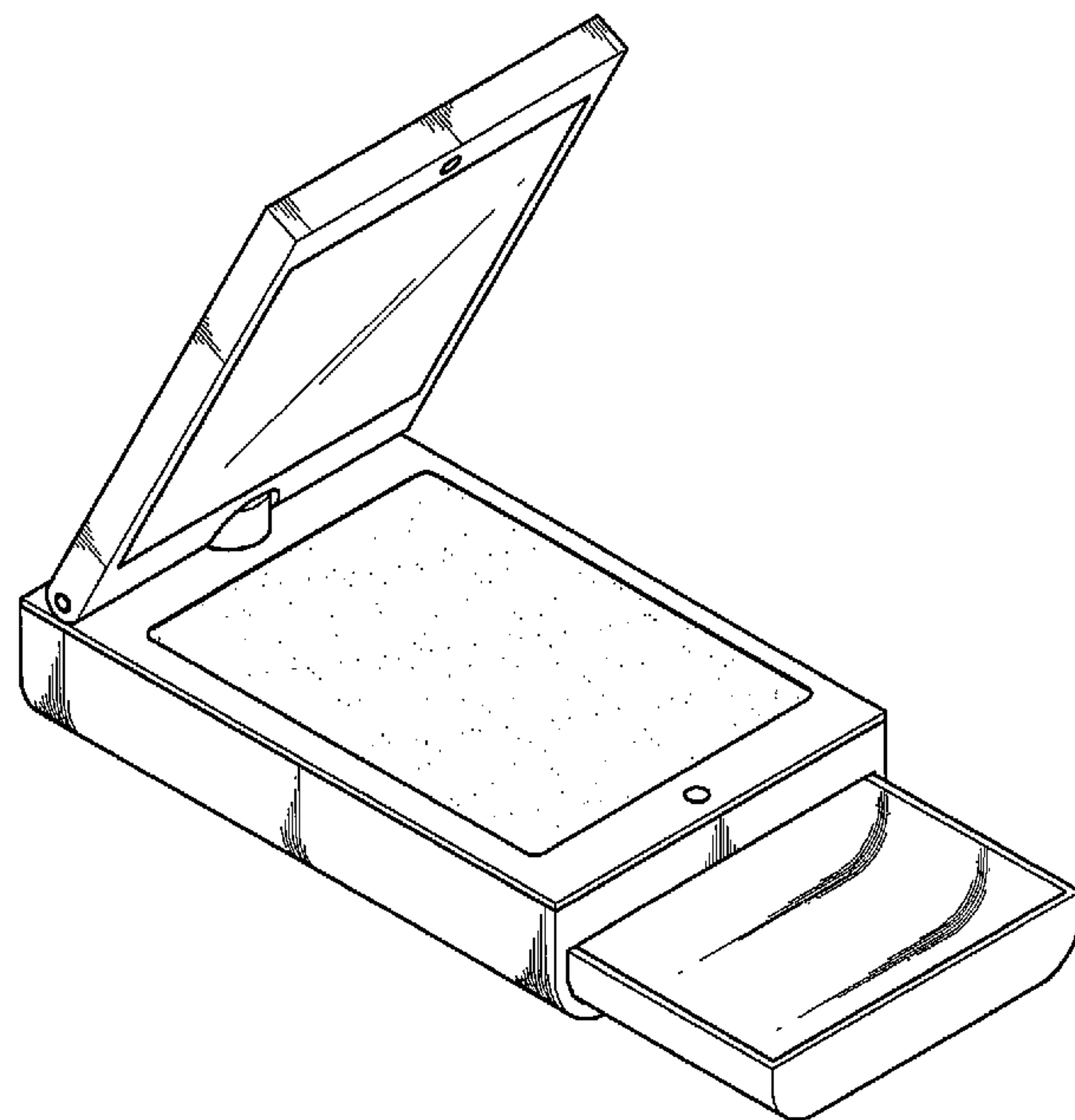
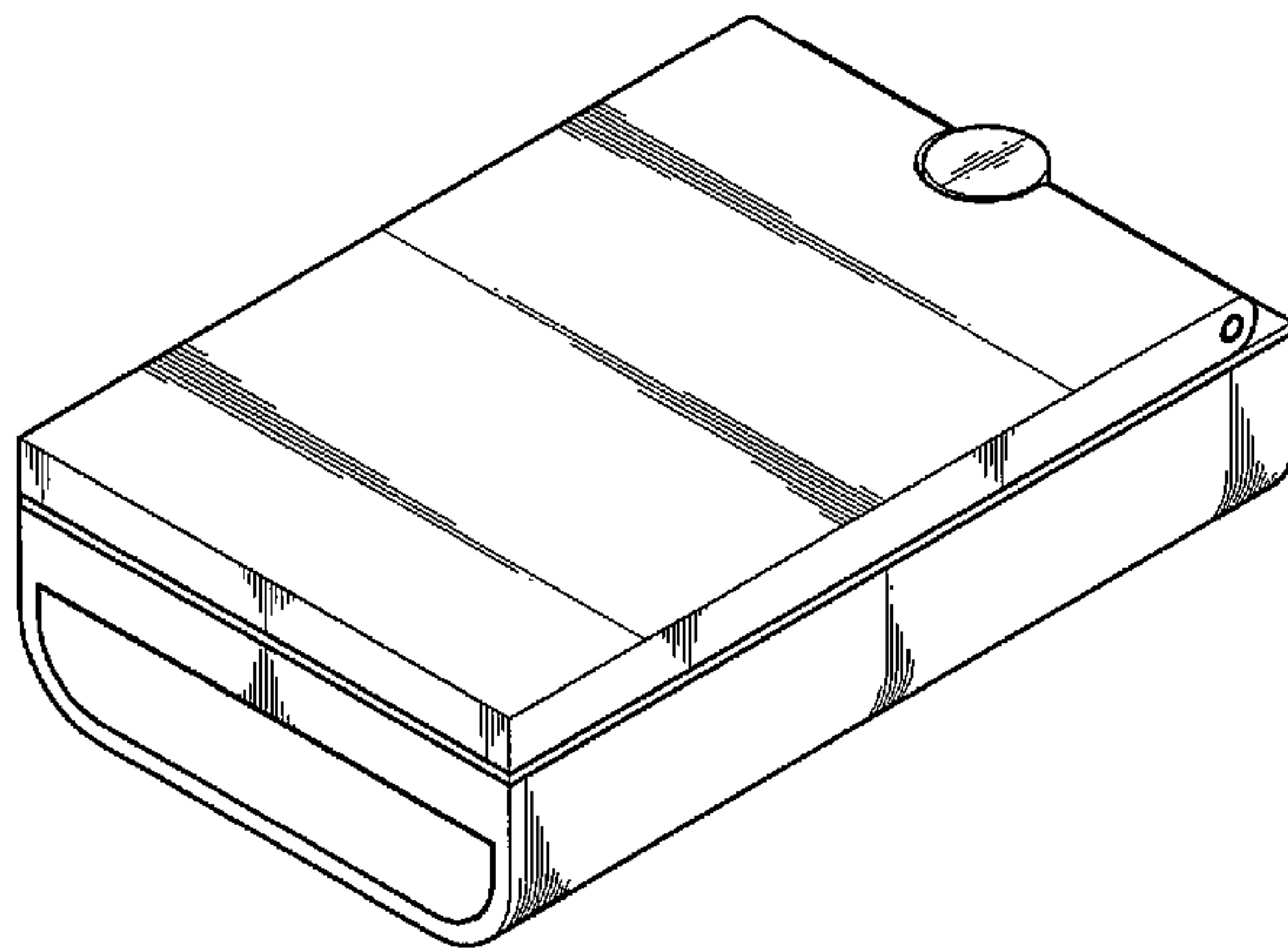


FIG. 1

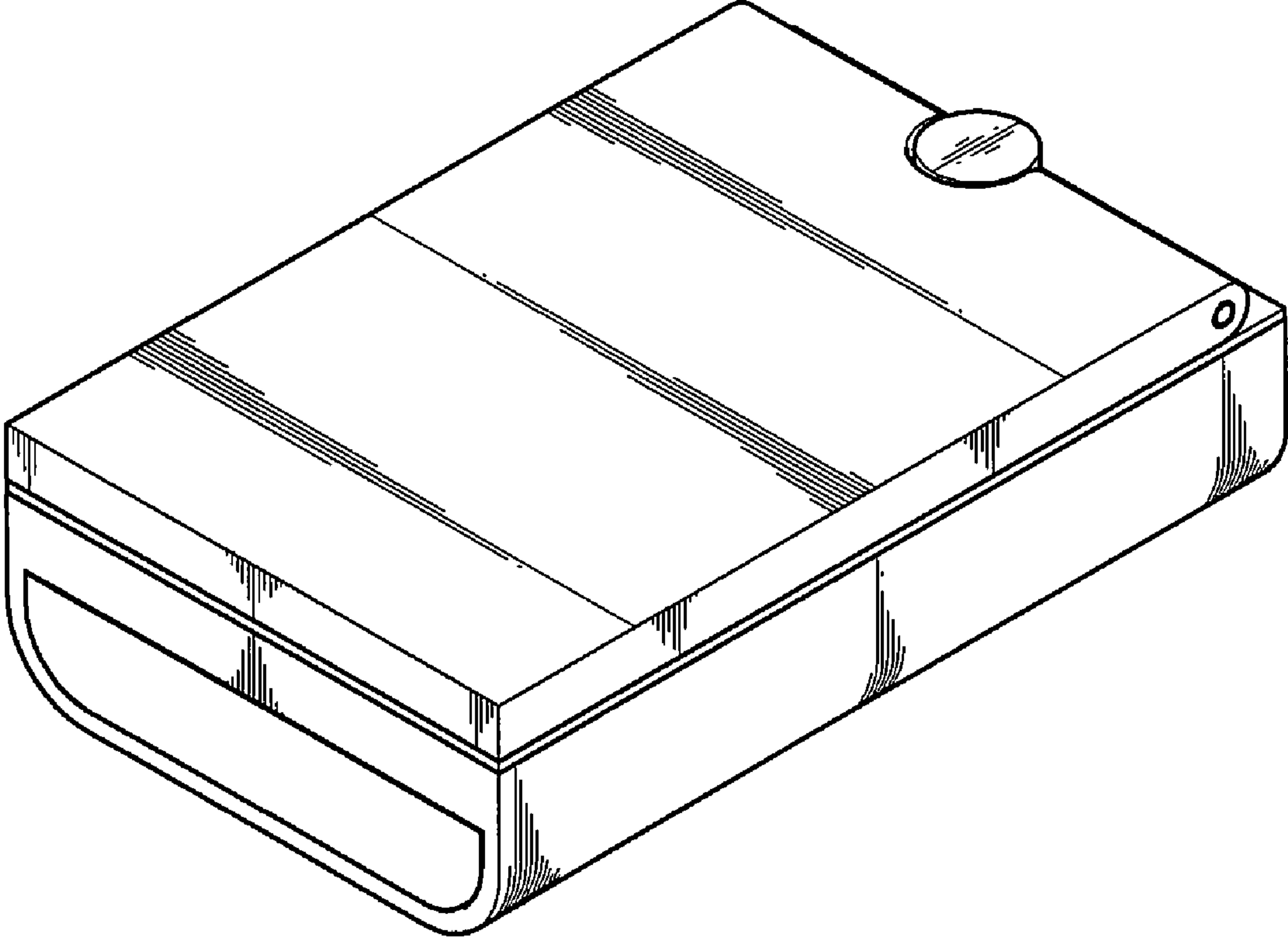


FIG. 2

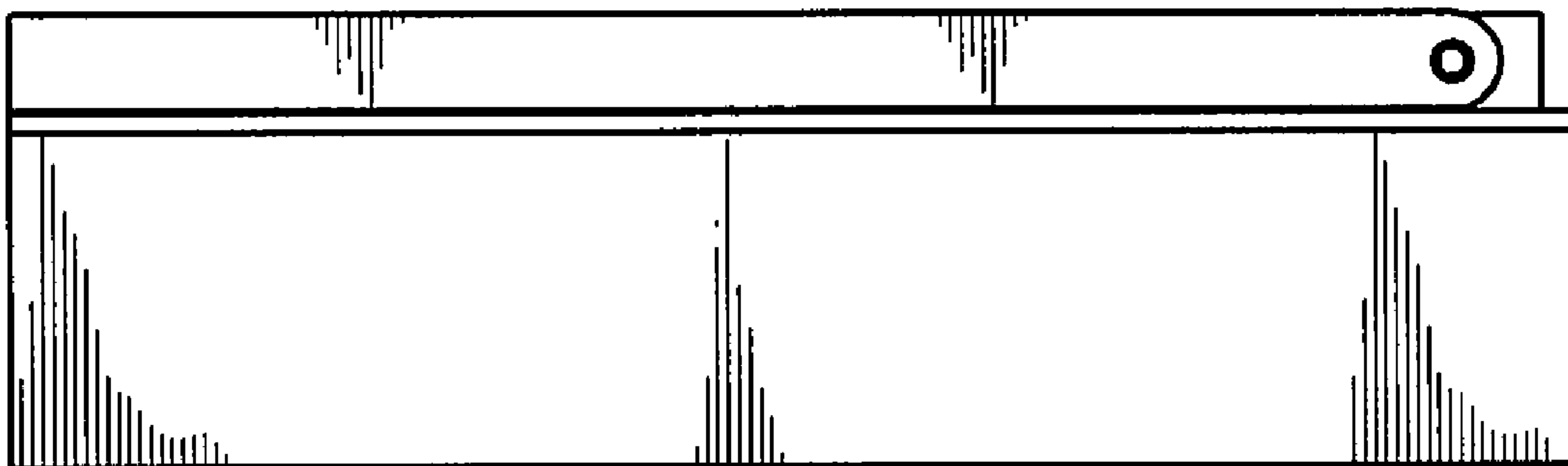


FIG. 3

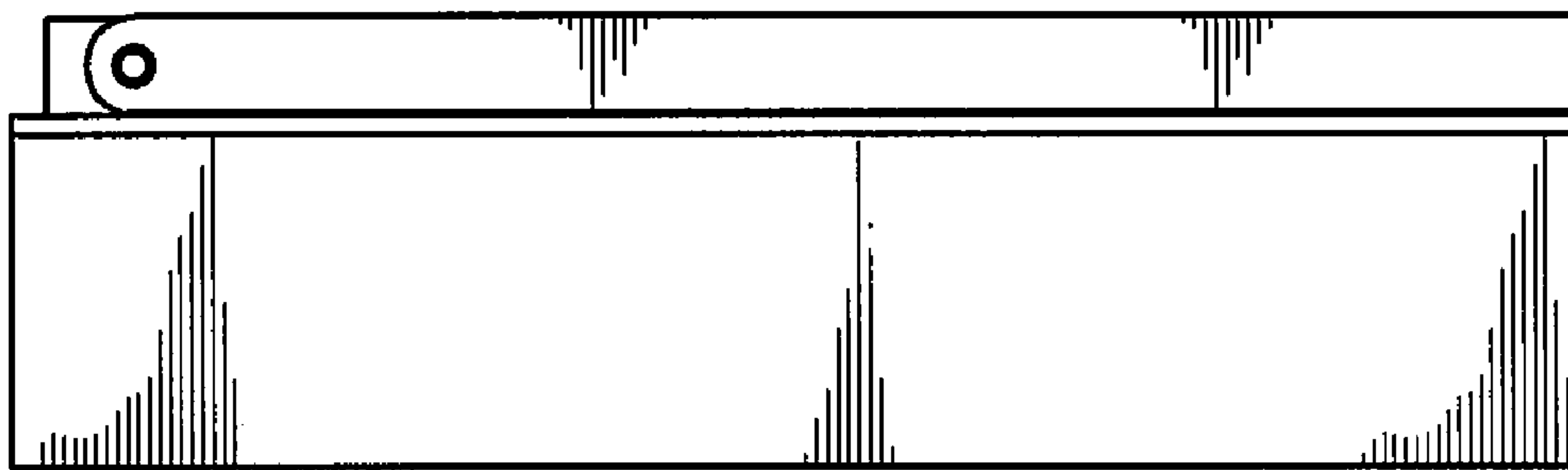


FIG. 4

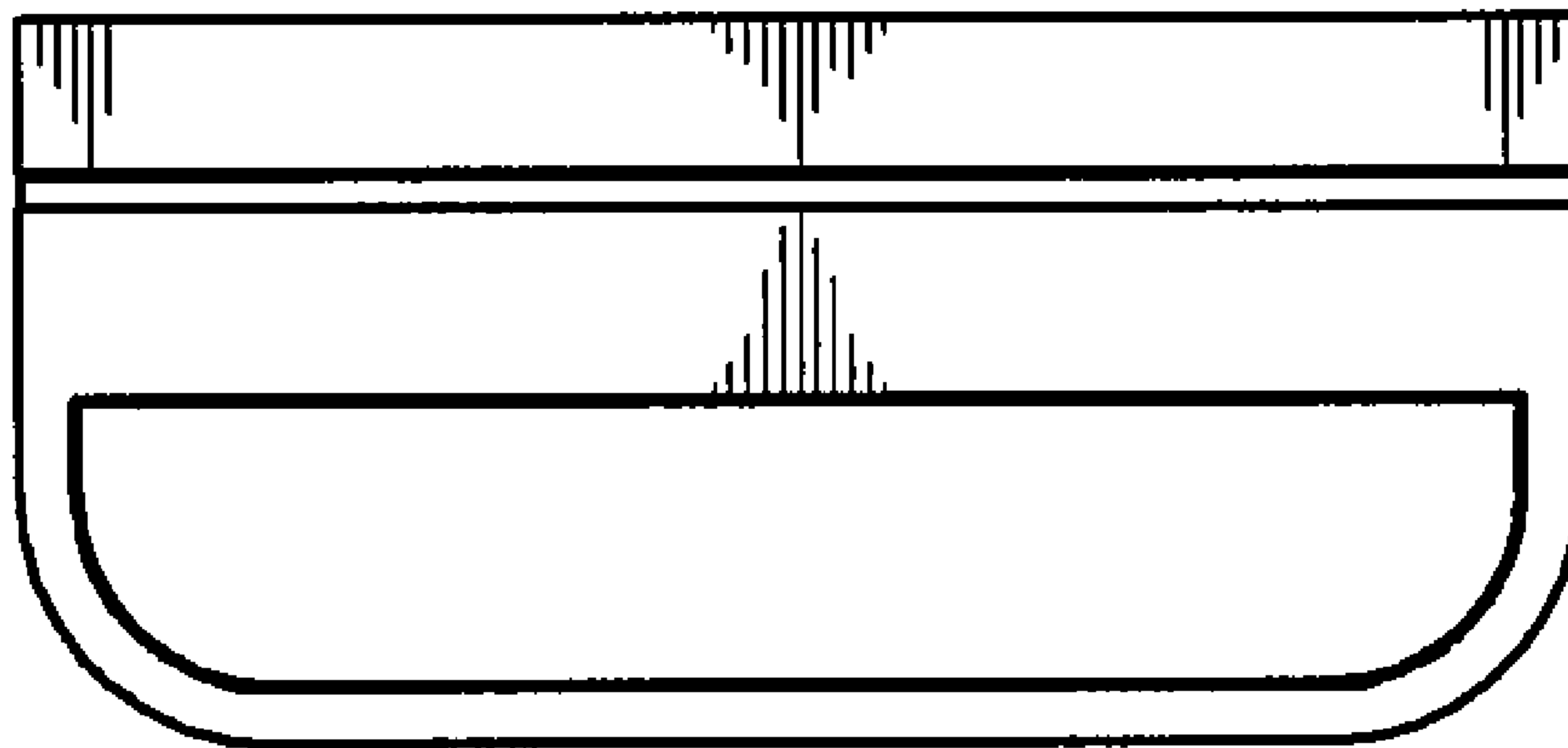


FIG. 5

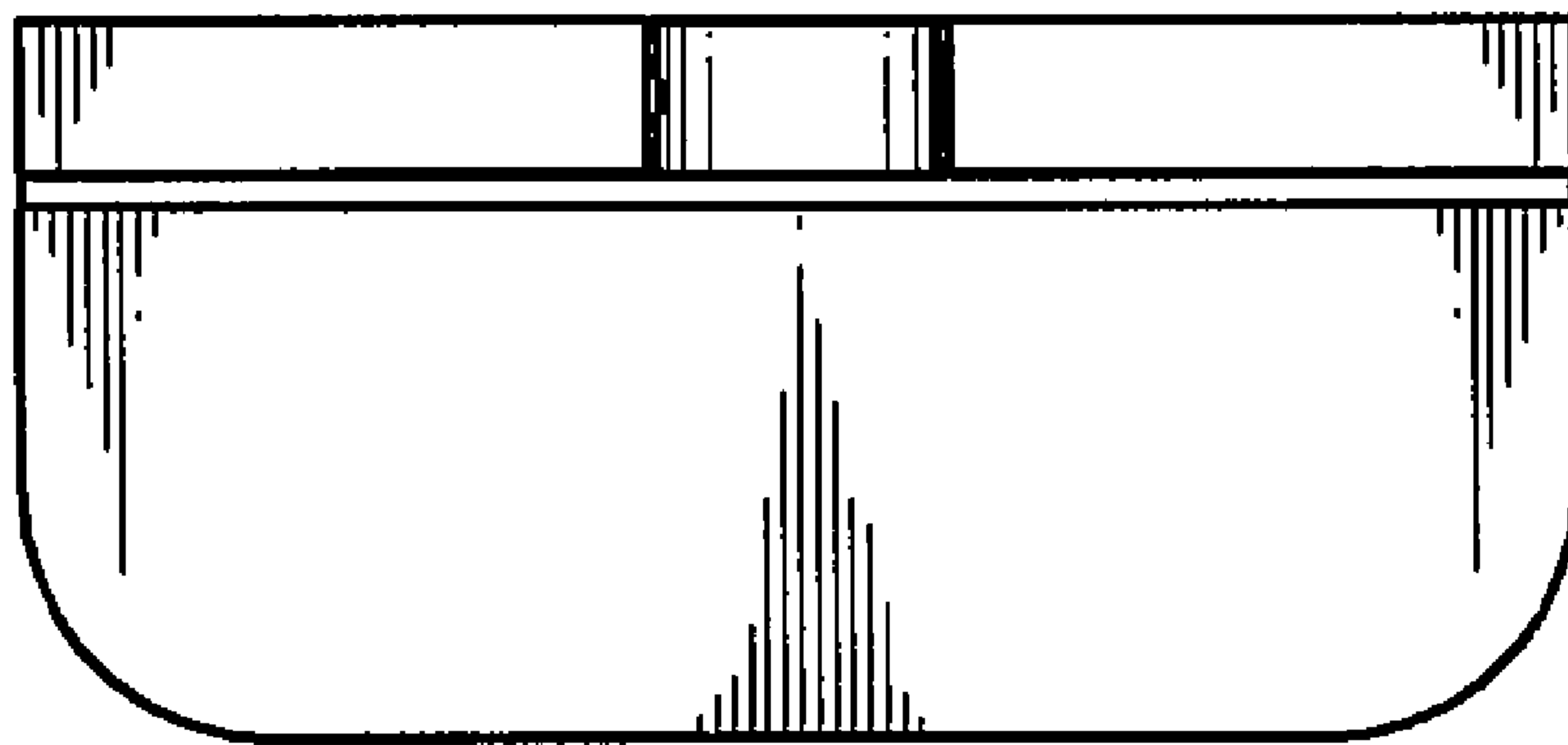


FIG. 6

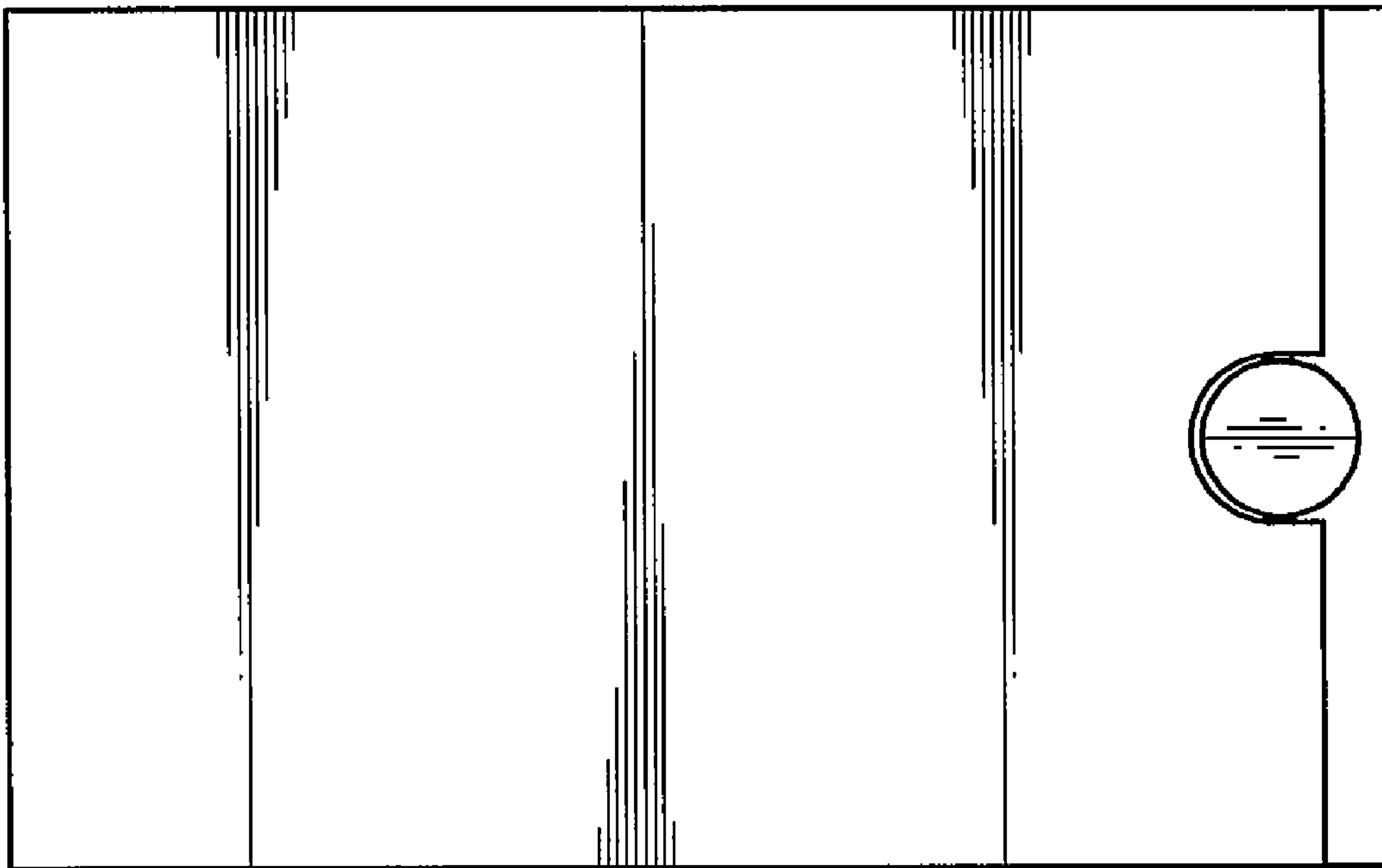


FIG. 7

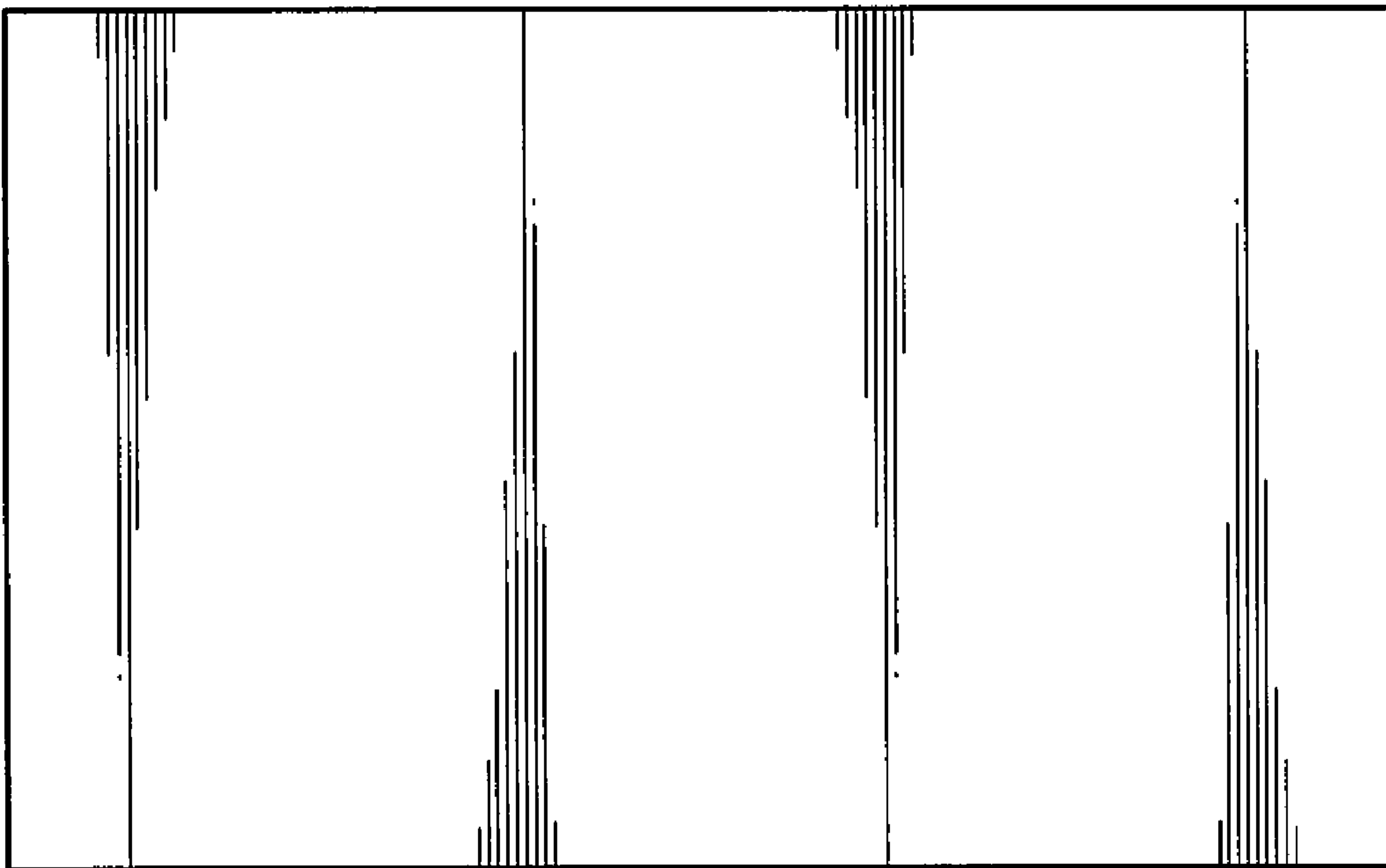




FIG. 8

