



US00D586500S

(12) **United States Design Patent**  
**Mayer et al.**

(10) **Patent No.:** **US D586,500 S**  
(45) **Date of Patent:** **\*\* Feb. 10, 2009**

(54) **REFLECTOR FOR LED LUMINAIRE**

D171,505 S \* 2/1954 Krueger ..... D23/388  
D214,939 S \* 8/1969 Arrigoni ..... D26/120  
6,350,043 B1 \* 2/2002 Gloisten ..... 362/287  
D545,487 S \* 6/2007 Bynum et al. .... D26/120

(75) Inventors: **Mark J. Mayer**, Sagamore Hills, OH  
(US); **Matthew Mrakovich**,  
Streetsborough, OH (US); **Nicolo Machi**,  
Solon, OH (US)

\* cited by examiner

(73) Assignee: **Lumination LLC**, Valley View, OH  
(US)

*Primary Examiner*—Clare E Heflin

(74) *Attorney, Agent, or Firm*—Fay Sharpe LLP

(\*\*) Term: **14 Years**

(57) **CLAIM**

(21) Appl. No.: **29/302,958**

The ornamental design for a reflector for LED luminaire, as shown and described.

(22) Filed: **Jan. 29, 2008**

**DESCRIPTION**

(51) **LOC (9) Cl.** ..... **26-99**

FIG. 1 is a perspective view a lower side of an reflector for LED luminaire;

(52) **U.S. Cl.** ..... **D26/118**

FIG. 2 is a plan view of the lower side of the reflector for LED luminaire shown in FIG. 1;

(58) **Field of Classification Search** ..... D26/72,  
D26/76, 83, 89, 120, 121, 118, 122, 74; 362/147,  
362/404, 453–456, 451, 488, 490, 319, 325,  
362/354, 520–522; D14/290

FIG. 3 is a side view of the reflector for LED luminaire shown in FIG. 1, each side being the same; and,

See application file for complete search history.

FIG. 4 is a plan view of the upper side of the reflector for LED luminaire shown in FIG. 1.

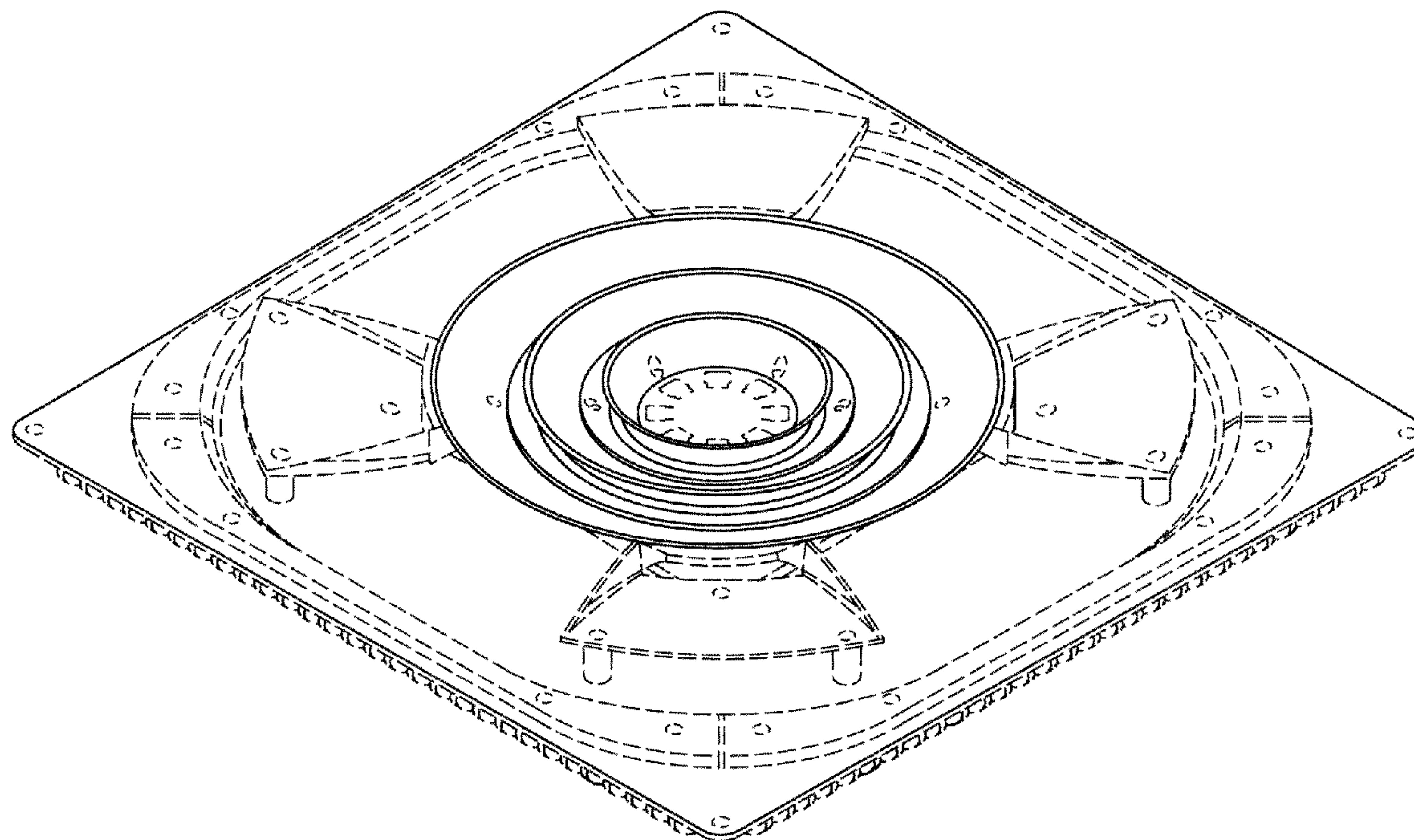
(56) **References Cited**

The broken lines showing environmental structure are for illustrative purposes only and form no part of the claimed design.

**U.S. PATENT DOCUMENTS**

1,450,862 A \* 4/1923 Nelson ..... 362/354  
1,580,373 A \* 4/1926 Hixson ..... 362/354  
D106,281 S \* 10/1937 Browne ..... D26/74  
2,143,149 A \* 1/1939 Guth ..... 362/354

**1 Claim, 3 Drawing Sheets**



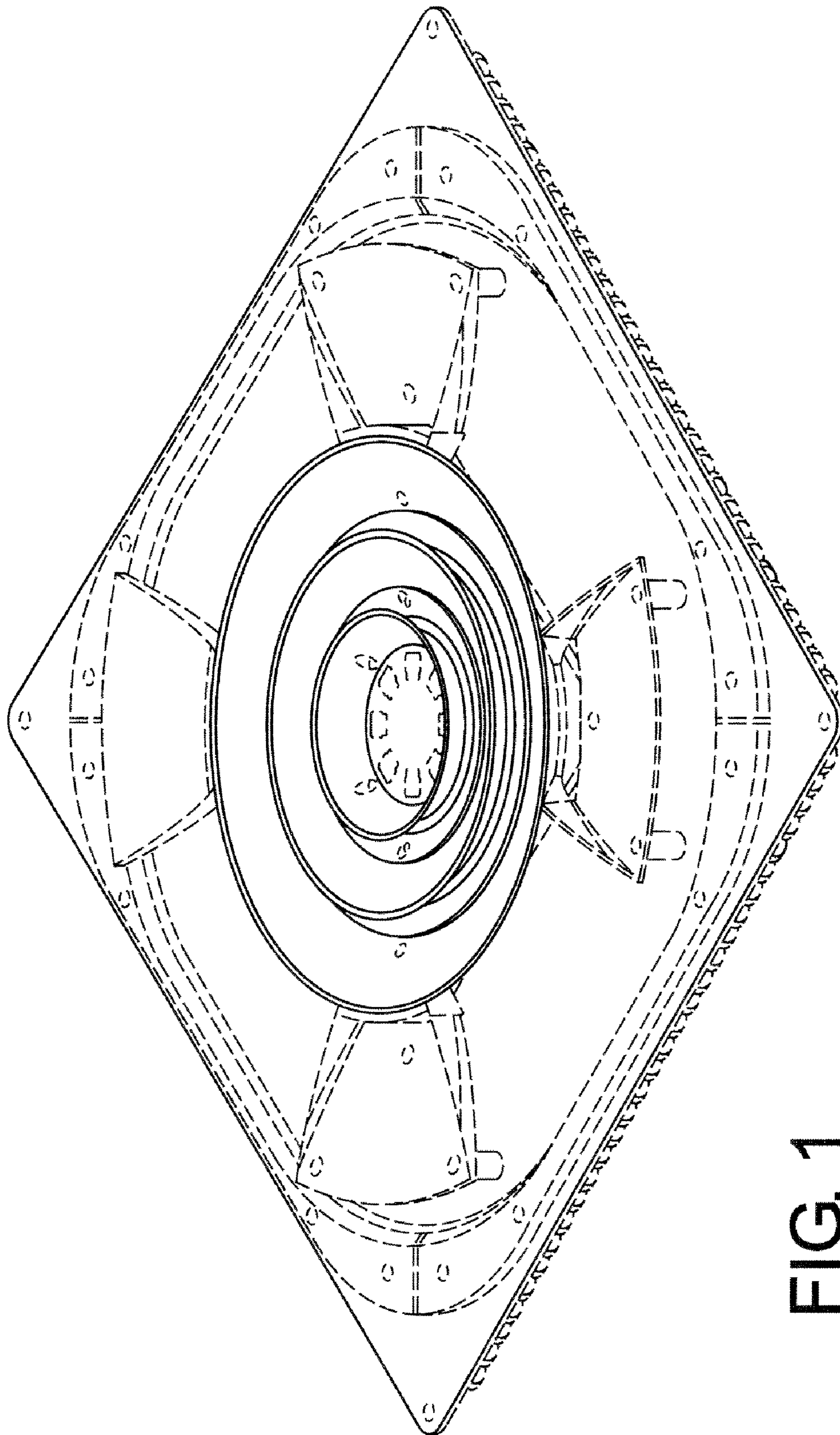


FIG. 1



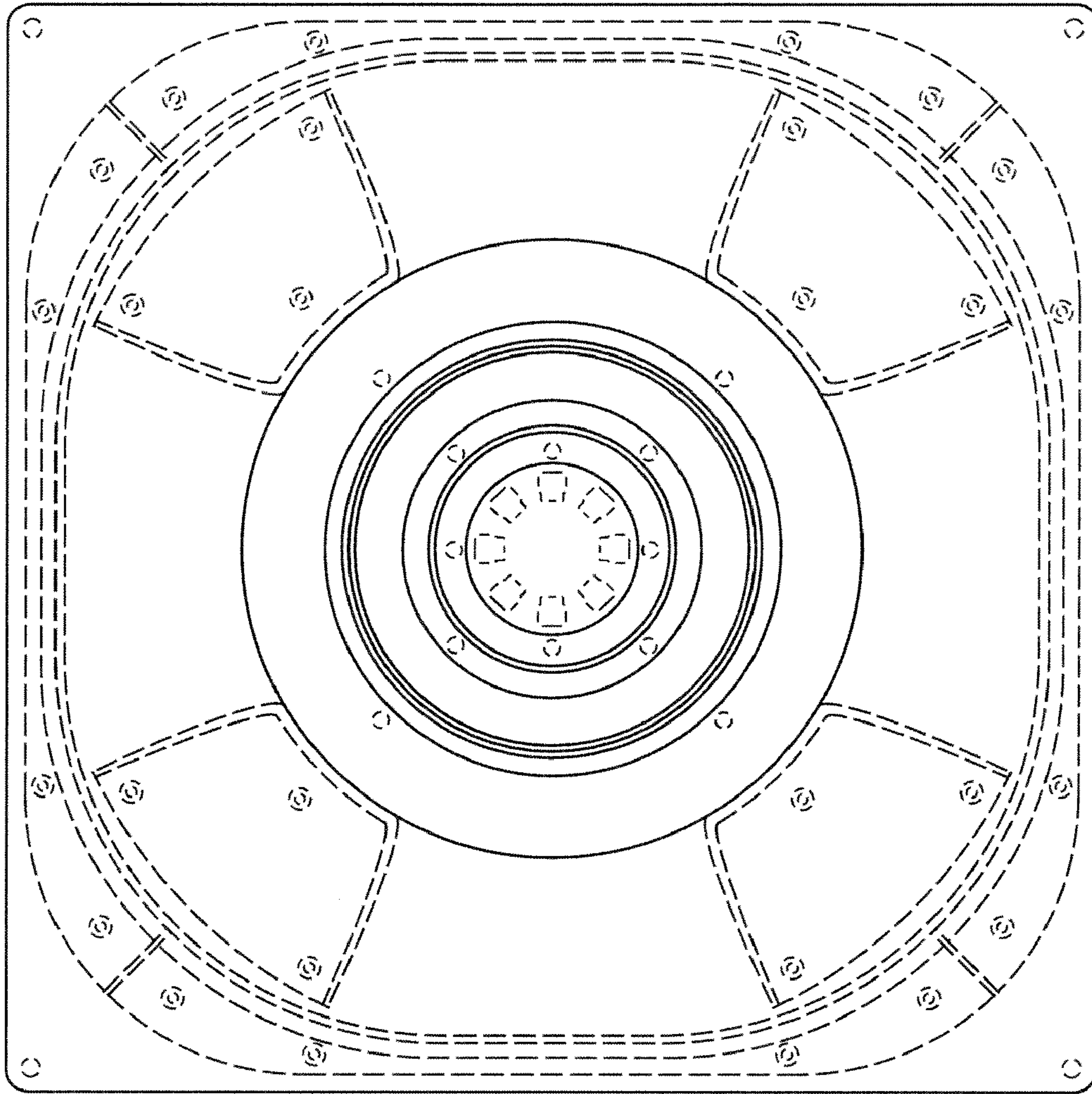


FIG. 2

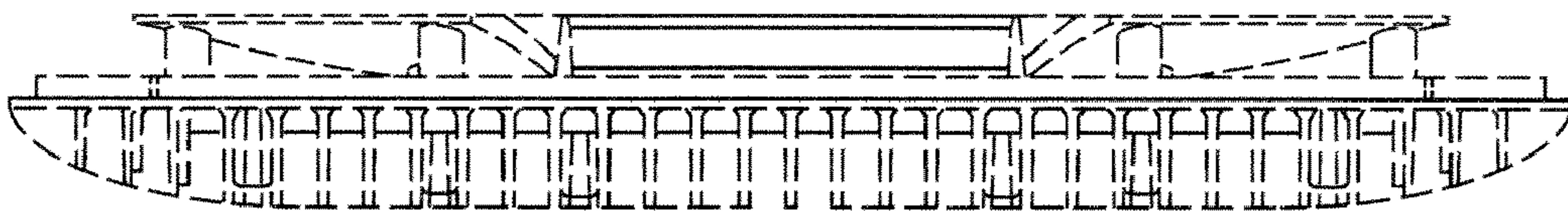


FIG. 3



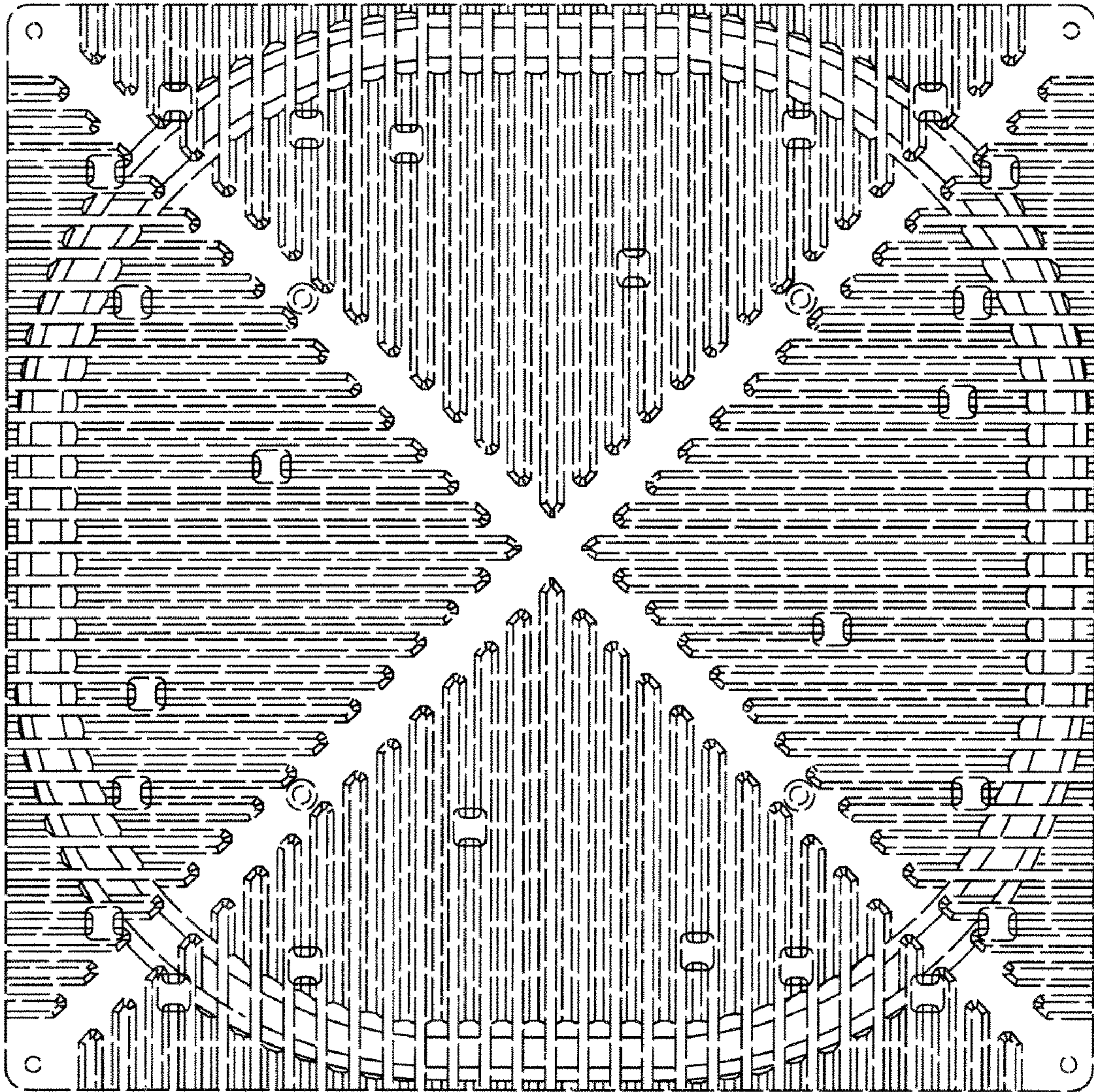


FIG. 4