



US00D586499S

(12) **United States Design Patent**  
**Mayer et al.**

(10) **Patent No.:** **US D586,499 S**

(45) **Date of Patent:** **\*\* Feb. 10, 2009**

(54) **REFLECTOR FOR LED LUMINAIRE**

(75) Inventors: **Mark J. Mayer**, Sagamore Hills, OH (US); **Matthew Mrakovich**, Streetsborough, OH (US); **Nicolo Machi**, Solon, OH (US)

(73) Assignee: **Lumination LLC**, Valley View, OH (US)

(\*\*) Term: **14 Years**

(21) Appl. No.: **29/302,952**

(22) Filed: **Jan. 29, 2008**

(51) **LOC (9) Cl.** ..... **26-99**

(52) **U.S. Cl.** ..... **D26/118**

(58) **Field of Classification Search** ..... D26/72, D26/76, 83, 89, 120, 121, 118, 122, 74; 362/147, 362/404, 453-456, 451, 488, 490, 319, 325, 362/354, 520-522; D14/290

See application file for complete search history.

(56) **References Cited**

**U.S. PATENT DOCUMENTS**

1,502,617	A *	7/1924	Cline	.....	362/348
D104,383	S *	5/1937	Sibbert	.....	D26/121
D108,644	S *	3/1938	Holmes	.....	D26/121
D111,214	S *	9/1938	Petzold	.....	D26/121
2,142,395	A *	1/1939	Herron	.....	362/291
D147,093	S *	7/1947	Vorsanger	.....	D26/83

D179,847	S *	3/1957	Griner	.....	D23/388
D197,187	S *	12/1963	Lasker	.....	D26/89
D209,536	S *	12/1967	McCain	.....	D26/74
D301,628	S *	6/1989	Fuller	.....	D26/28
D472,669	S *	4/2003	Homann	.....	D26/118
D545,487	S *	6/2007	Bynum et al.	.....	D26/120
D549,689	S *	8/2007	Gould et al.	.....	D14/209

\* cited by examiner

*Primary Examiner*—Clare E Heflin

(74) *Attorney, Agent, or Firm*—Fay Sharpe LLP

(57) **CLAIM**

The ornamental design for a reflector for LED luminaire, as shown and described.

**DESCRIPTION**

FIG. 1 is a perspective view a lower side of an reflector for LED luminaire;

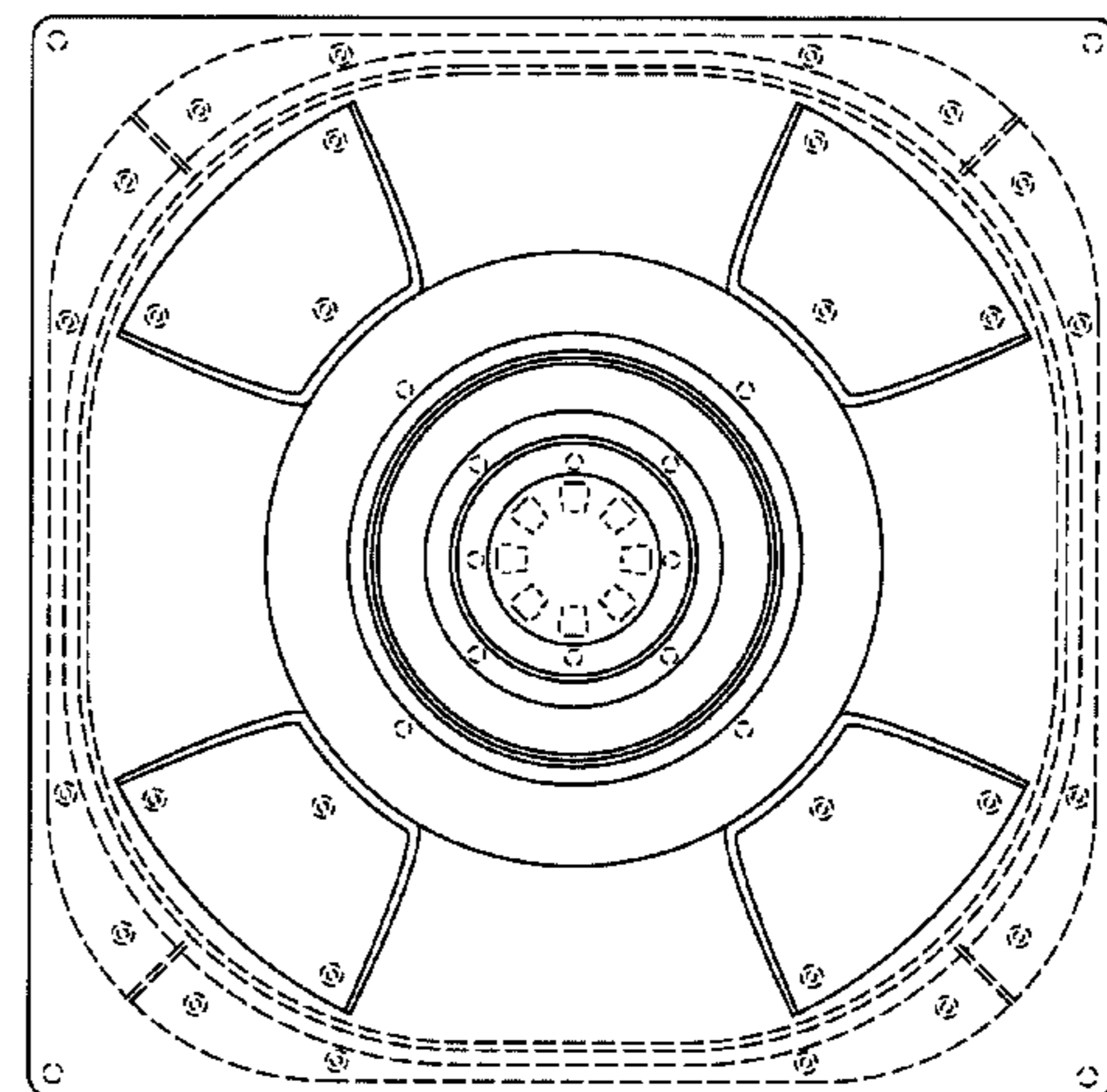
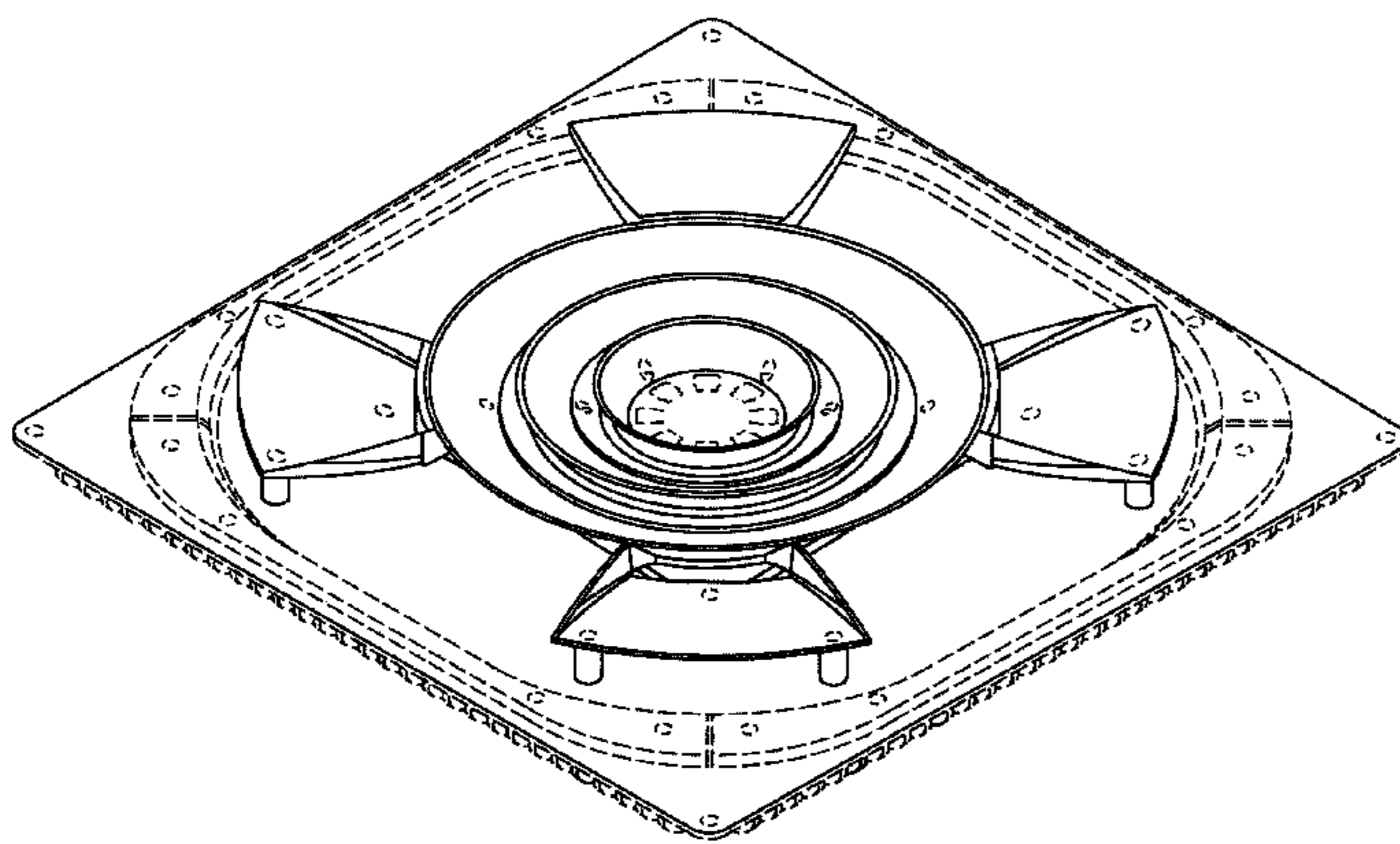
FIG. 2 is a plan view of the lower side of the reflector for LED luminaire shown in FIG. 1;

FIG. 3 is a side view of the reflector for LED luminaire shown in FIG. 1, each side being the same; and,

FIG. 4 is a plan view of the upper side of the LED luminaire shown in FIG. 1.

The broken lines showing environmental structure are for illustrative purposes only and form no part of the claimed design.

**1 Claim, 3 Drawing Sheets**



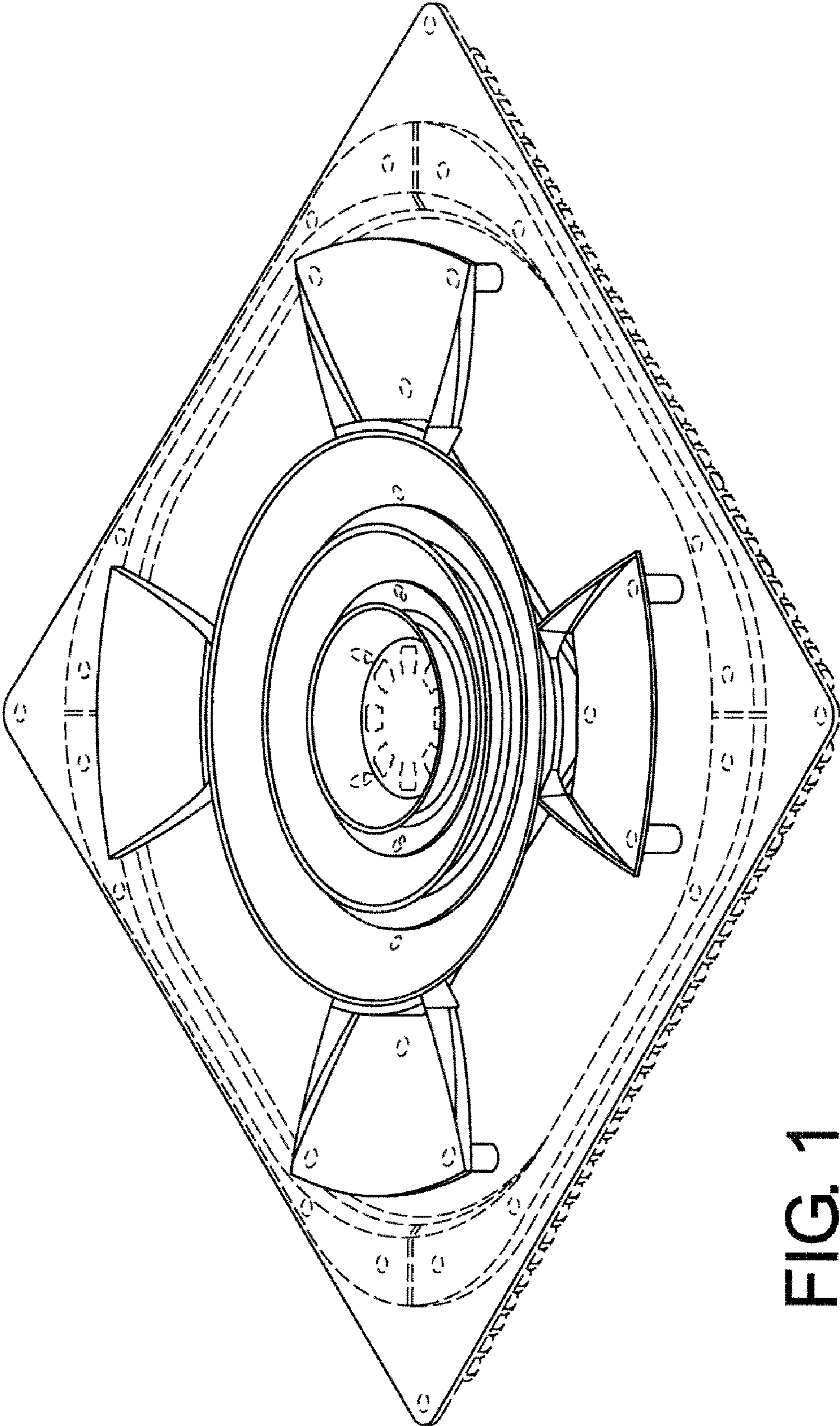


FIG. 1

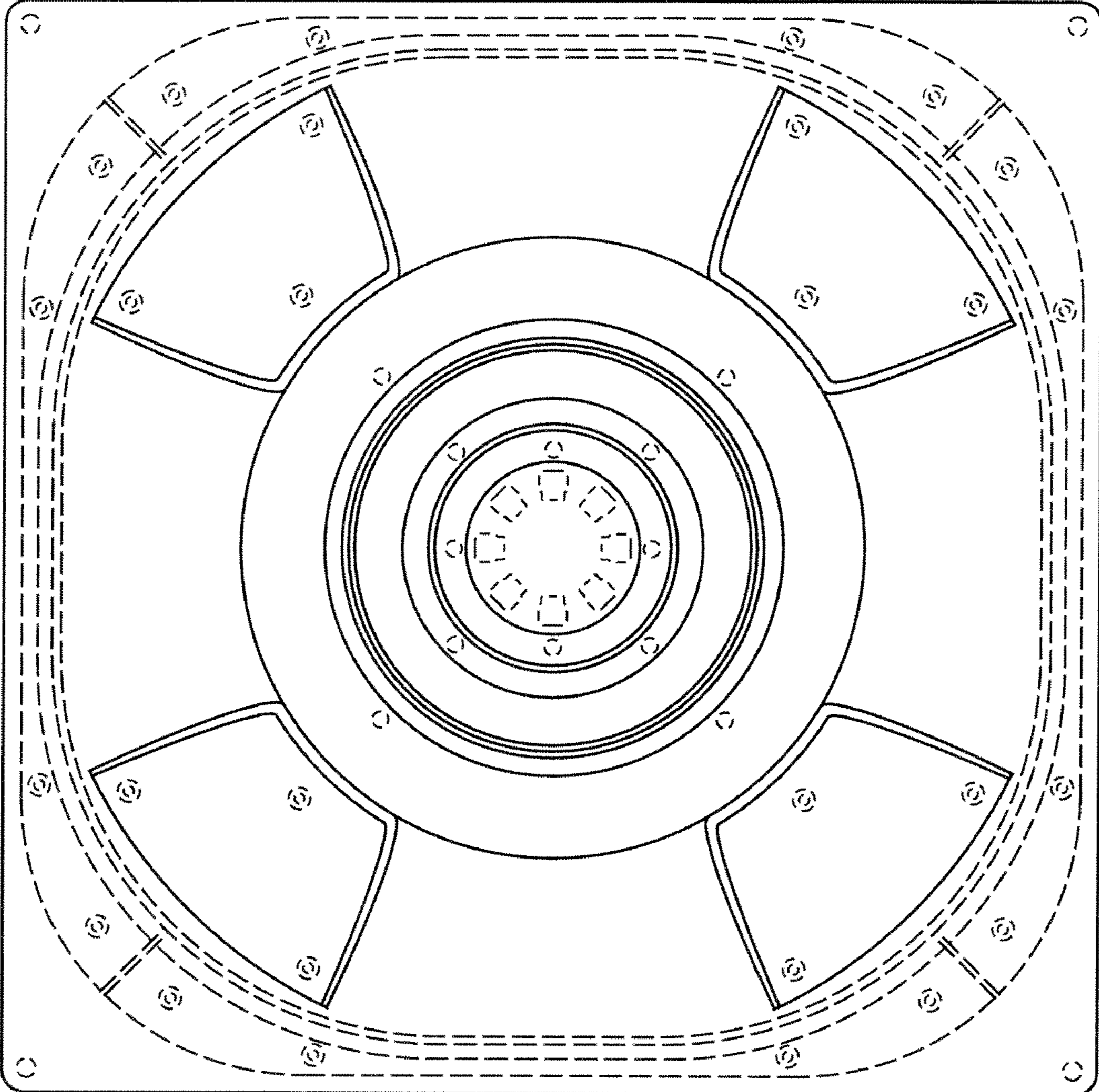


FIG. 2

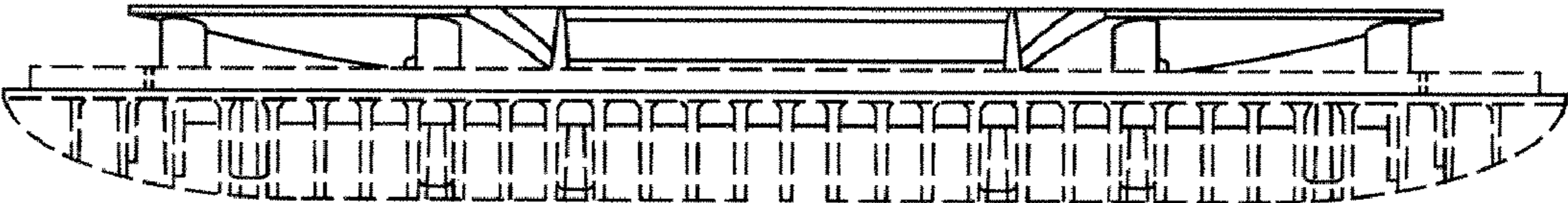


FIG. 3

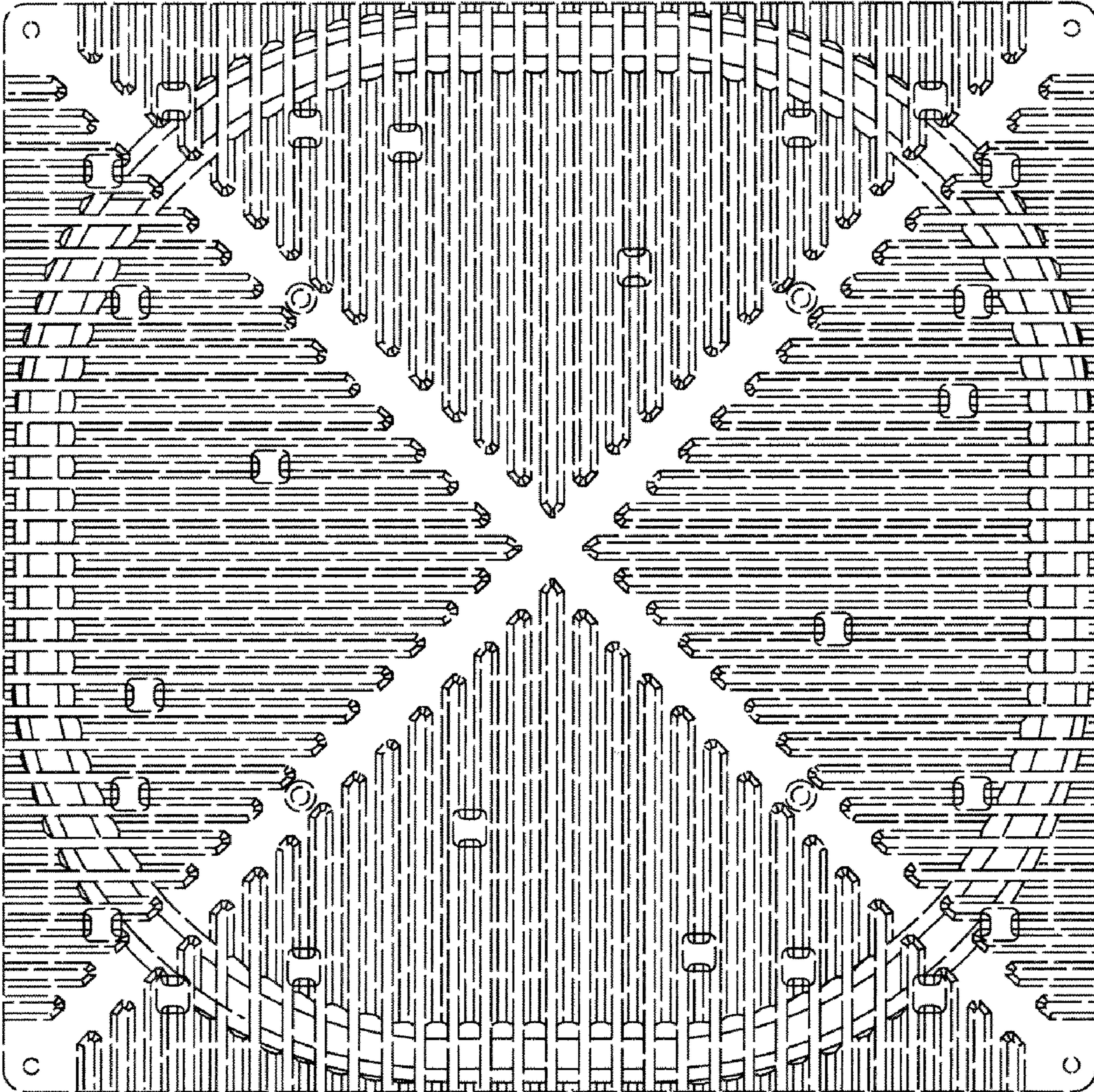


FIG. 4