



US00D586496S

(12) **United States Design Patent**
Flindt

(10) **Patent No.:** **US D586,496 S**

(45) **Date of Patent:** **** Feb. 10, 2009**

(54) **LAMPSHADE**

(75) **Inventor:** **Christian Flindt, Frederiksberg C (DK)**

(73) **Assignee:** **Louis Poulsen Lighting A/S,**
Kobenhavn K (DK)

(**) **Term:** **14 Years**

(21) **Appl. No.:** **29/287,656**

(22) **Filed:** **Sep. 4, 2007**

(51) **LOC (9) Cl.** **26-99**

(52) **U.S. Cl.** **D26/118**

(58) **Field of Classification Search** D26/152,
D26/154, 144, 145, 146, 147, 138, 142, 143,
D26/126, 130, 131, 136, 24, 78, 83, 88, 92,
D26/99, 98, 104, 106, 108, 110, 111, 121,
D26/122, 133, 128, 134, 127, 89, 94, 85,
D26/118, 135, 81, 68, 67, 60, 61, 69, 72,
D26/73, 79, 86, 90, 91, 93, 102, 105, 107,
D26/112, 113, 119, 120, 123, 124, 125, 129,
D26/137; 362/352, 353, 147, 151, 173, 186,
362/235, 244, 241, 247, 257, 317, 329, 350,
362/351, 355, 356, 404, 405, 410, 416, 431

See application file for complete search history.

(56) **References Cited**

U.S. PATENT DOCUMENTS

D89,305	S	*	2/1933	Hale	D26/88
2,899,543	A	*	8/1959	Rasmussen	362/354
2,979,606	A	*	4/1961	Koehler	362/291
3,211,906	A	*	10/1965	Zucchi	362/360
D238,295	S	*	12/1975	Tongson	D26/134
D243,472	S	*	2/1977	Leung	D26/137

D244,875	S	*	6/1977	Baca	D26/105
4,212,052	A	*	7/1980	Chambard	362/352
4,344,112	A	*	8/1982	Brown	362/96
4,473,866	A	*	9/1984	Davis	362/35
D438,327	S	*	2/2001	Chelf et al.	D26/80
D473,002	S	*	4/2003	Hoernig	D26/87
D485,006	S	*	1/2004	Huang	D26/118
D525,739	S	*	7/2006	Wu	D26/93
D532,147	S	*	11/2006	Crosby	D26/118

* cited by examiner

Primary Examiner—Freda S. Nunn

Assistant Examiner—Kevin K Rudzinski

(74) *Attorney, Agent, or Firm*—Jacobson Holman PLLC

(57) **CLAIM**

The ornamental design for a lampshade, as shown and described.

DESCRIPTION

FIG. 1 is a top perspective view showing my new design for a lampshade,

FIG. 2 is a bottom perspective view thereof, the portion shown in dotted lines is for illustrative purposes only, forming no part of the claimed design,

FIG. 3 is a top view thereof,

FIG. 4 is a bottom view thereof, the portion shown in dotted lines is for illustrative purposes only, forming no part of the claimed design,

FIG. 5 is a left side view thereof; and,

FIG. 6 is a right side view thereof.

1 Claim, 6 Drawing Sheets

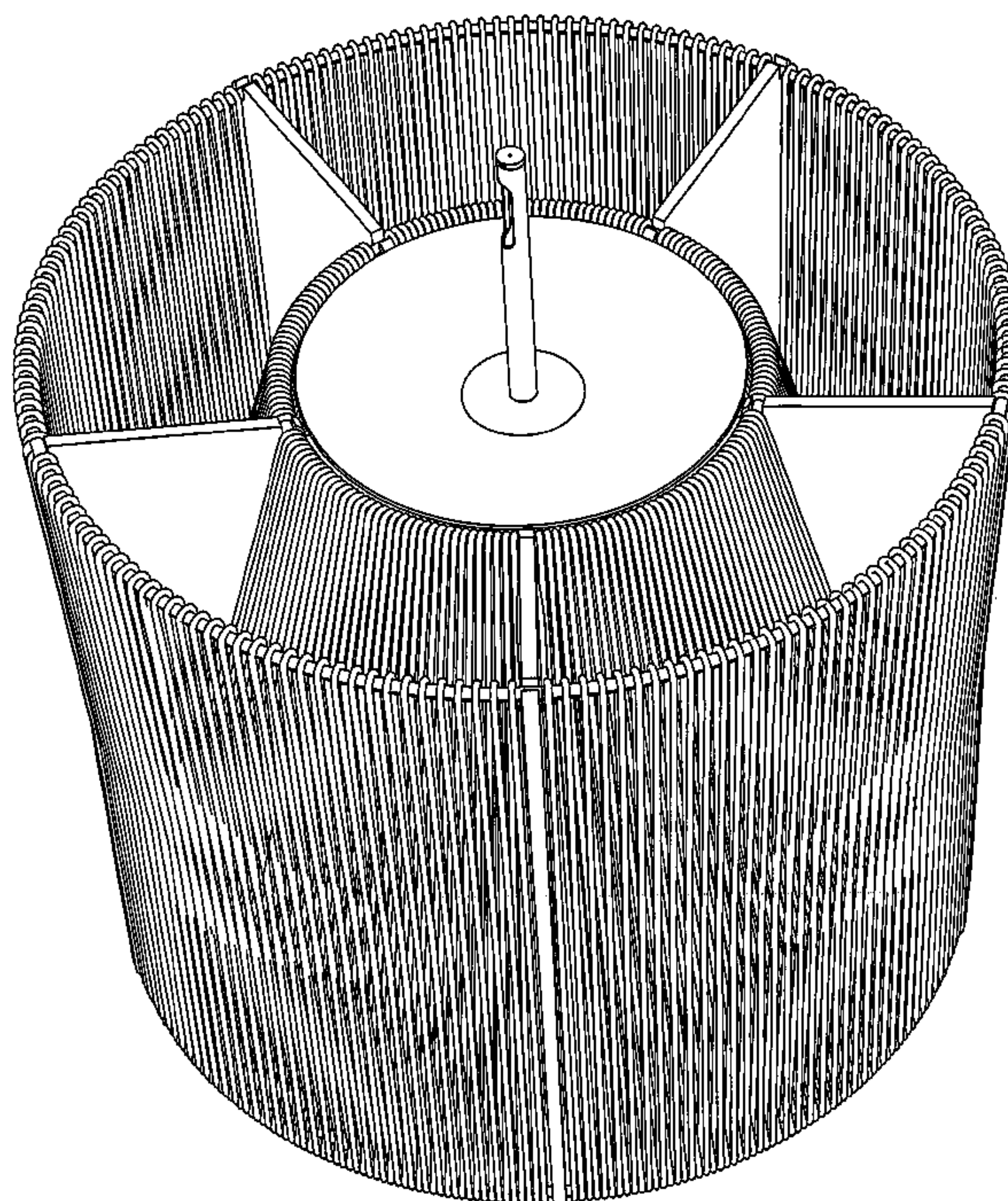


FIG. 1

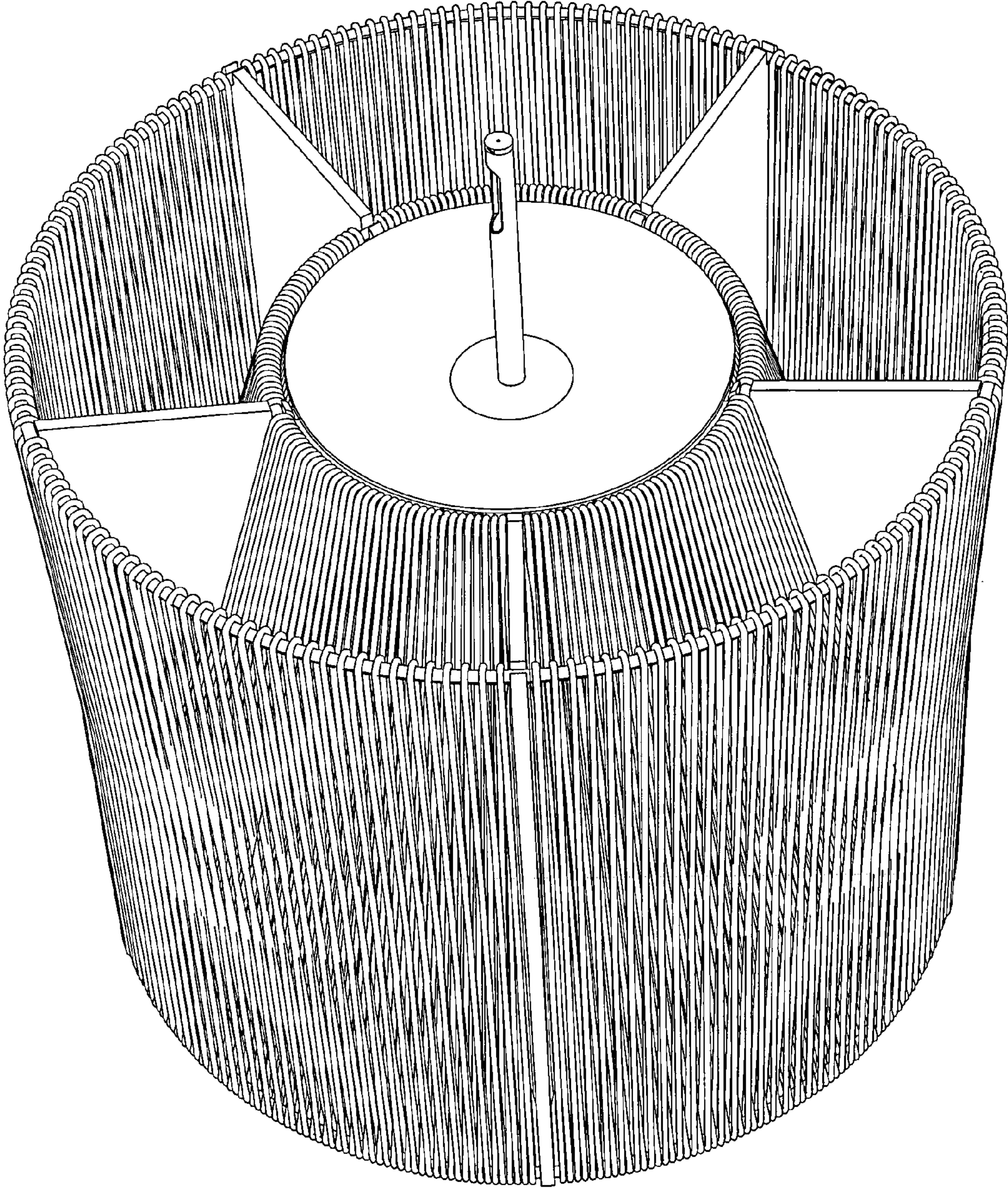


FIG. 2

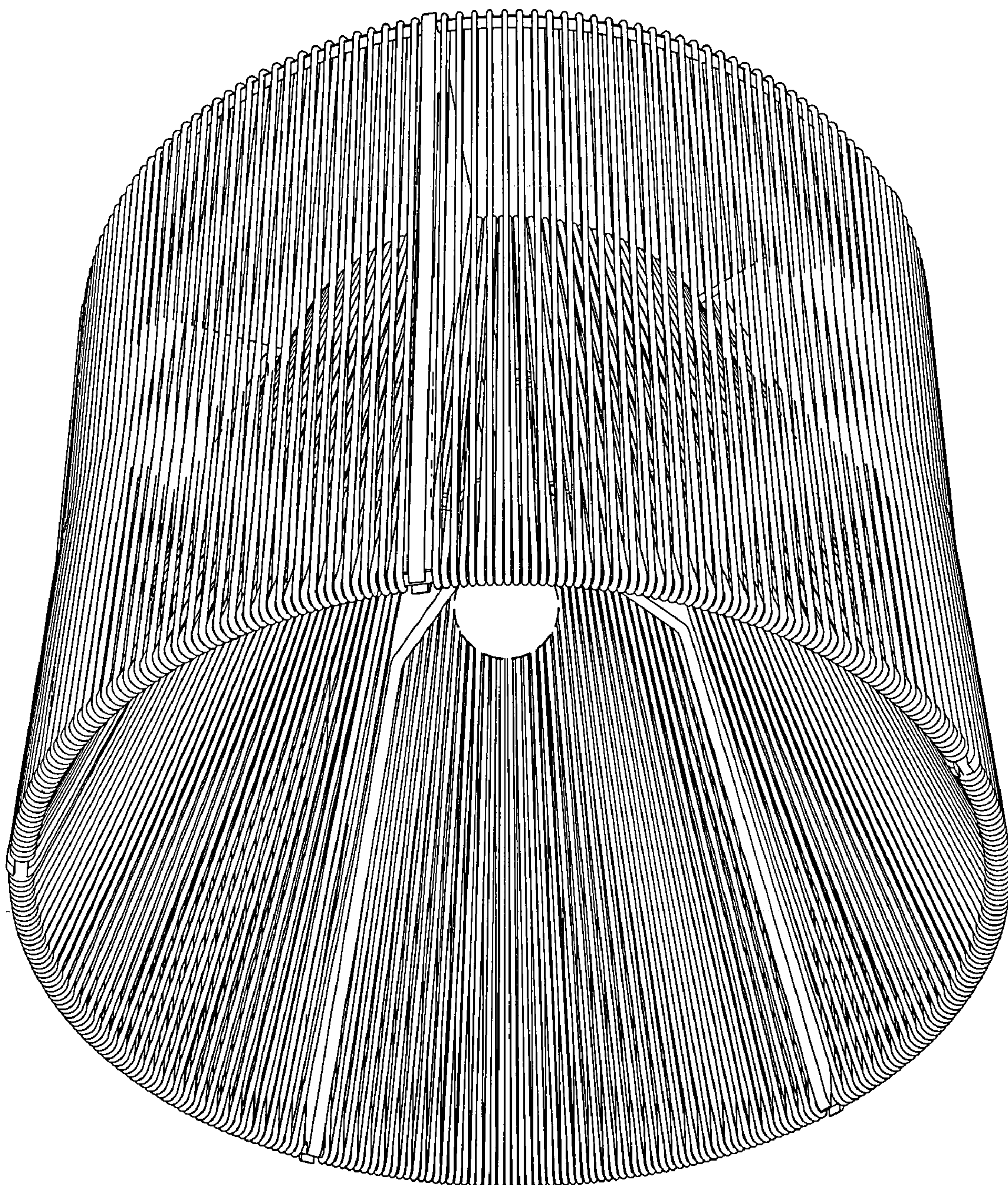


FIG. 3

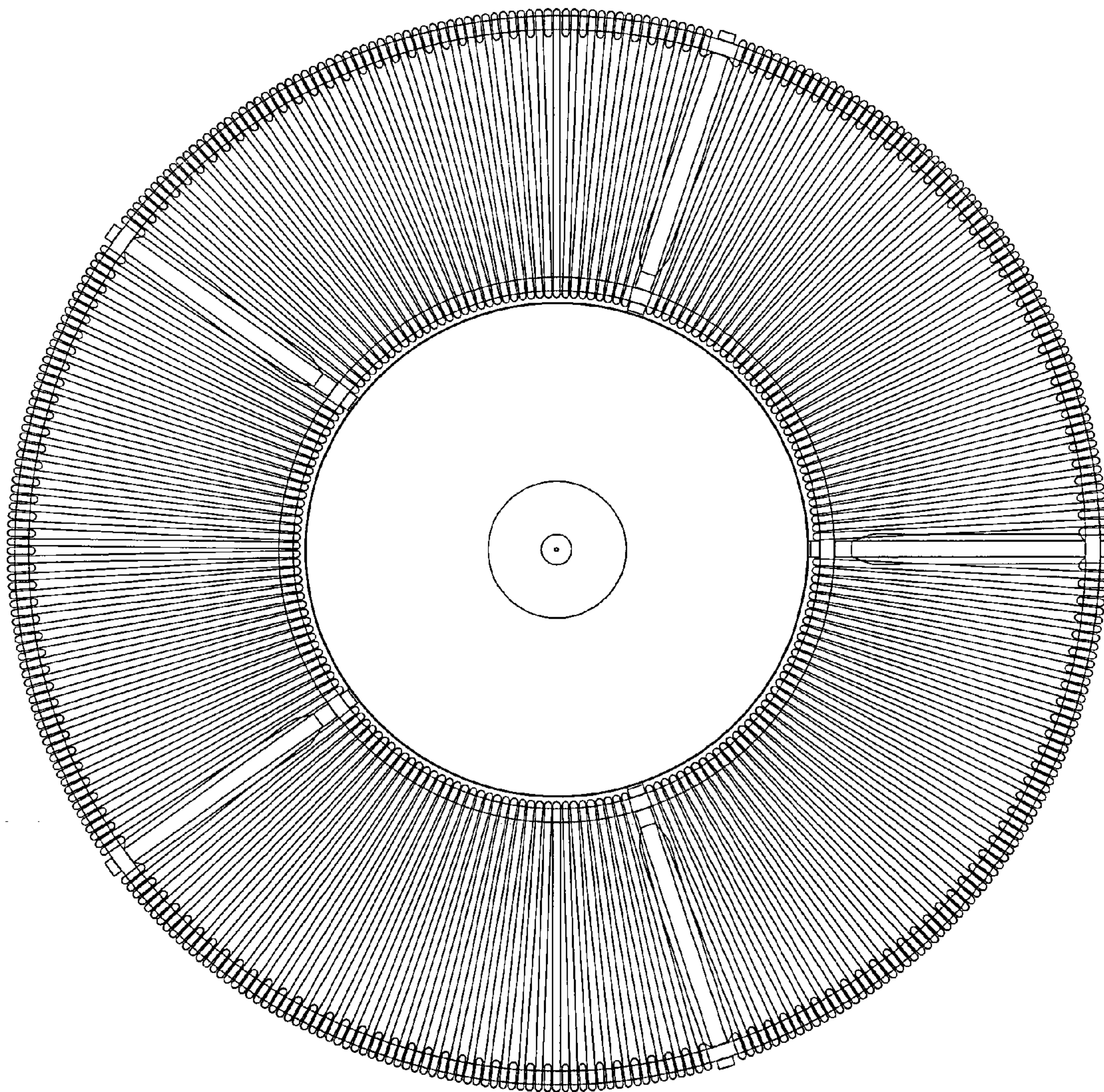


FIG. 4

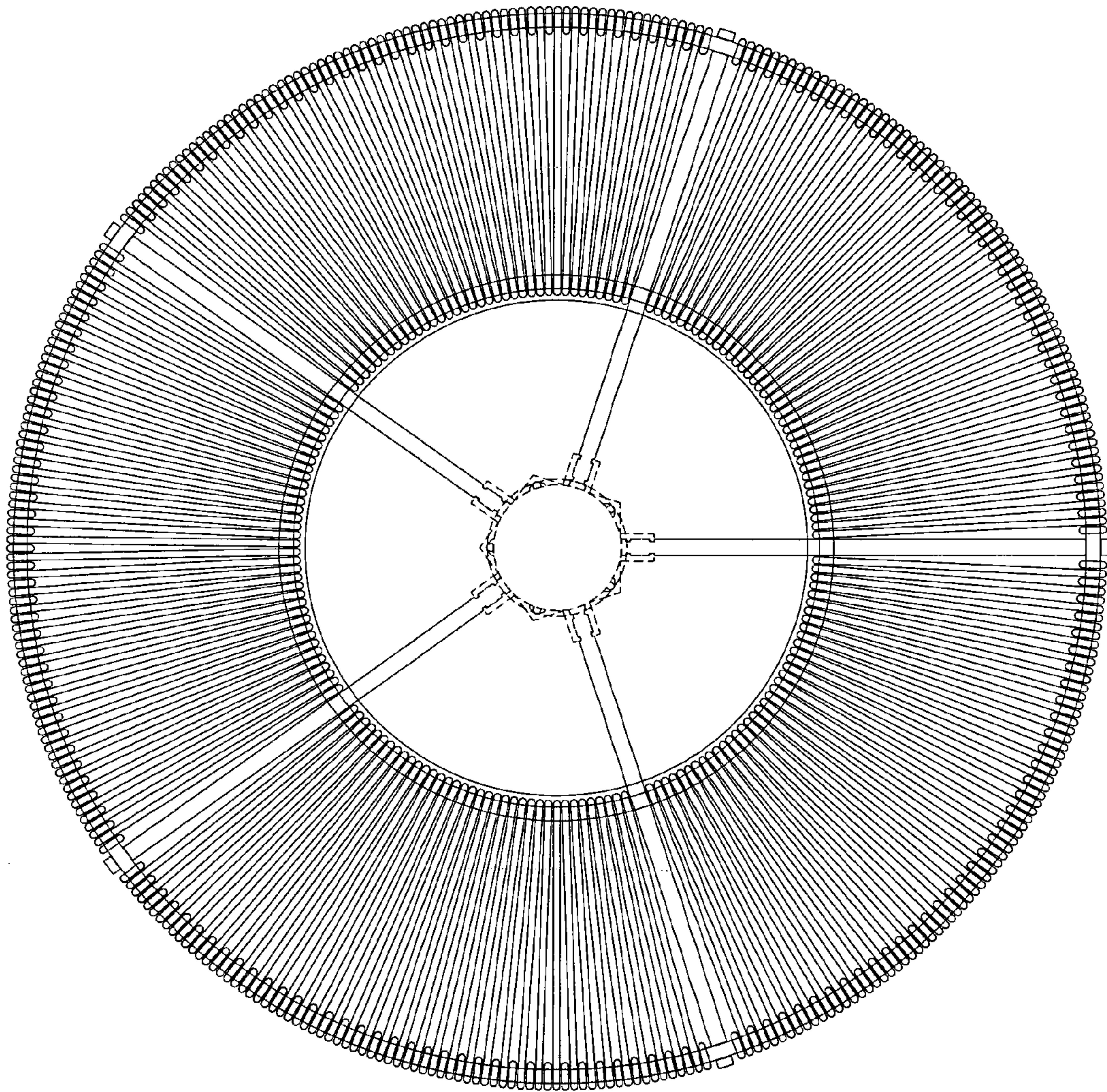


FIG. 5

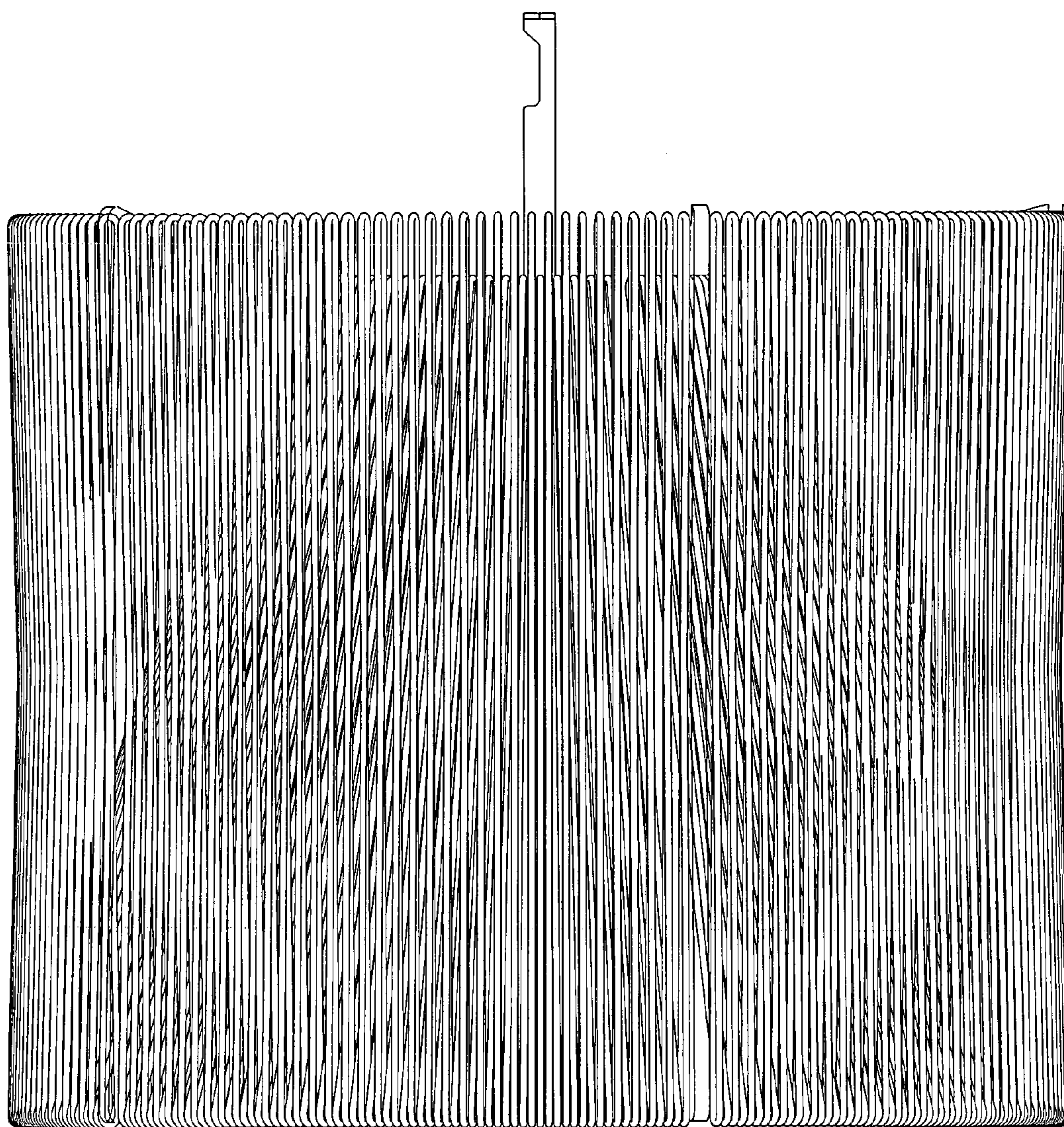


FIG. 6

