



US00D586495S

(12) **United States Design Patent**  
**Watanabe et al.**

(10) **Patent No.:** **US D586,495 S**

(45) **Date of Patent:** **\*\* Feb. 10, 2009**

(54) **TUBULAR LAMP**

(75) Inventors: **Akio Watanabe**, Imabari (JP);  
**Naomitsu Aoki**, Imabari (JP); **Takafumi Ishida**, Imabari (JP); **Hidenori Shigeeda**, Imabari (JP); **Seiji Sakamoto**, Imabari (JP); **Yuji Itakura**, Imabari (JP); **Tetsuo Ootani**, Imabari (JP)

(73) Assignee: **Harison Toshiba Lighting Corp.**, Imabari (JP)

(\*\*) Term: **14 Years**

(21) Appl. No.: **29/290,608**

(22) Filed: **Dec. 26, 2007**

(30) **Foreign Application Priority Data**

Jun. 29, 2007 (JP) ..... 2007-017600

(51) **LOC (9) Cl.** ..... **26-99**

(52) **U.S. Cl.** ..... **D26/113**

(58) **Field of Classification Search** ..... D26/81,  
D26/155, 145, 86, 87, 113, 118, 128, 138,  
D26/85, 92, 97, 94, 65, 63, 62, 107, 142,  
D26/140, 120, 2, 25, 26, 37, 46, 72, 75, 76,  
D26/79, 103, 119, 124; 362/311, 309, 308,  
362/242, 147, 360, 151, 644, 654, 260, 363,  
362/382, 395, 410, 432

See application file for complete search history.

(56) **References Cited**

**U.S. PATENT DOCUMENTS**

3,039,015 A \* 6/1962 Jolly ..... 313/279  
3,211,938 A \* 10/1965 Holcomb ..... 313/113  
3,286,116 A \* 11/1966 Malm ..... 313/274  
4,442,374 A \* 4/1984 Morris et al. .... 313/316  
D280,025 S \* 8/1985 Waters ..... D26/24  
D315,800 S \* 3/1991 Hayakawa et al. .... D26/2

D316,154 S \* 4/1991 Gecchelin ..... D26/63  
5,260,859 A \* 11/1993 Lettenmayer ..... 362/219  
D390,673 S \* 2/1998 Sato et al. .... D26/2  
D465,038 S \* 10/2002 Bragg et al. .... D26/27  
6,555,948 B1 \* 4/2003 Noll ..... 313/112

\* cited by examiner

*Primary Examiner*—Freda S. Nunn

*Assistant Examiner*—Kevin K Rudzinski

(74) *Attorney, Agent, or Firm*—Finnegan, Henderson, Farabow, Garrett & Dunner, LLP

(57) **CLAIM**

The ornamental design for a tubular lamp, as shown and described.

**DESCRIPTION**

FIG. 1 is a front view of a tubular lamp showing our new design, the portion of the device depicted in broken lines being environment and forming no part of the claimed design;

FIG. 2 is a perspective front view of the right end thereof, the portion of the device depicted in broken lines being environment and no part of the claimed design;

FIG. 3 is a top view thereof, the portion of the device depicted in broken lines being environment and no part of the claimed design;

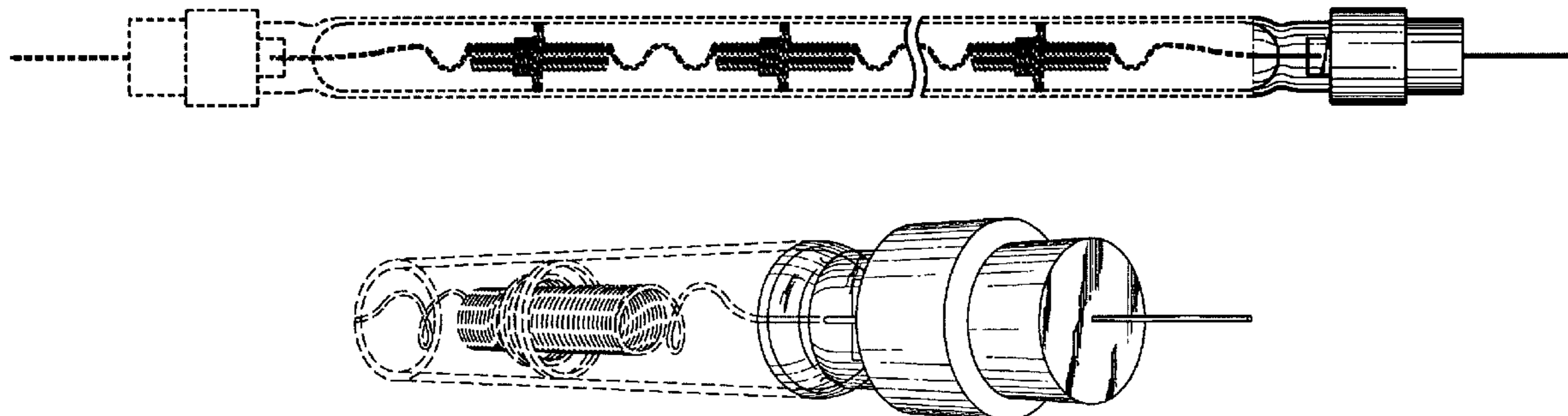
FIG. 4 is a bottom view thereof, the portion of the device depicted in broken lines being environment and no part of the claimed design;

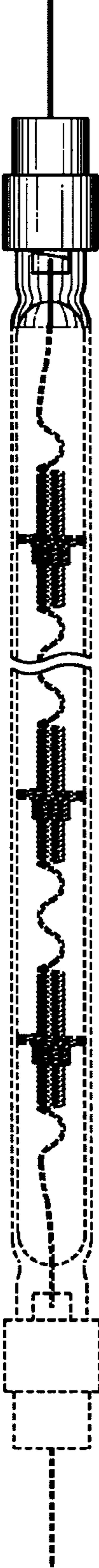
FIG. 5 is a front view thereof, the portion of the device depicted in broken lines being environment and no part of the claimed design;

FIG. 6 is an end view thereof; and,

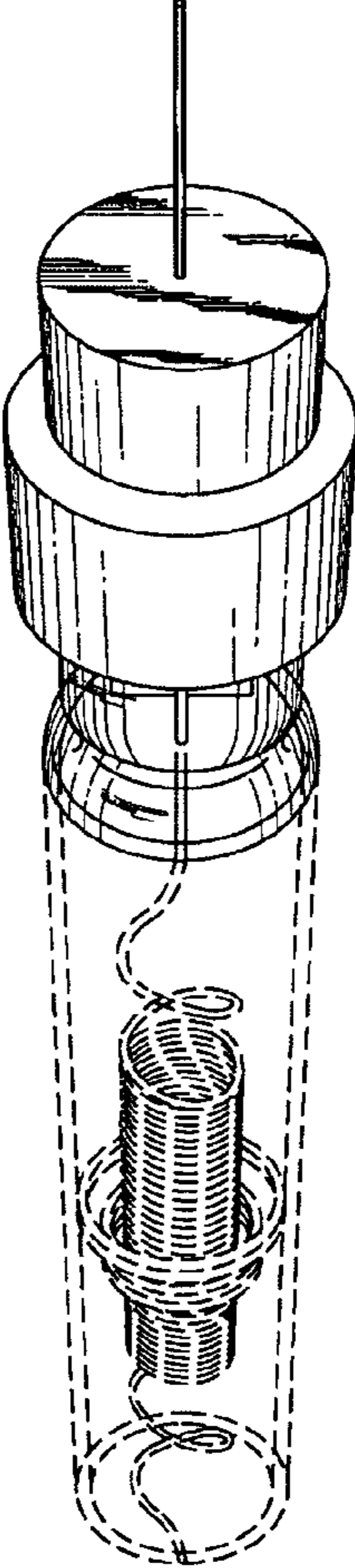
FIG. 7 is a rear view thereof, the portion of the device depicted in broken lines being environment and no part of the claimed design.

**1 Claim, 2 Drawing Sheets**

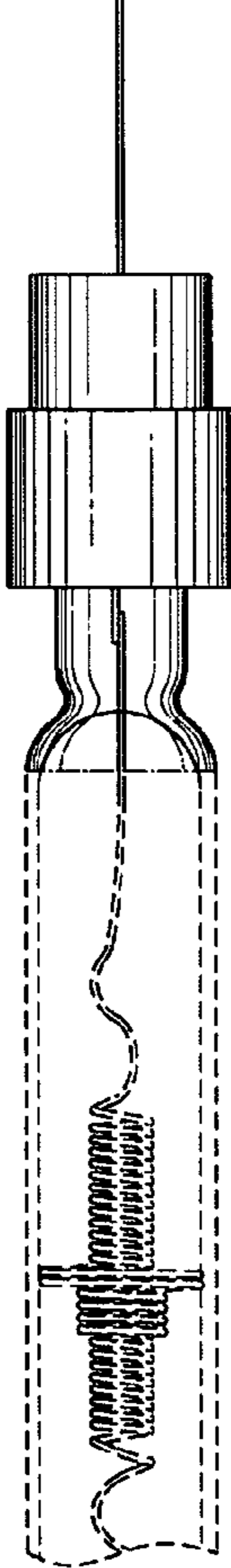




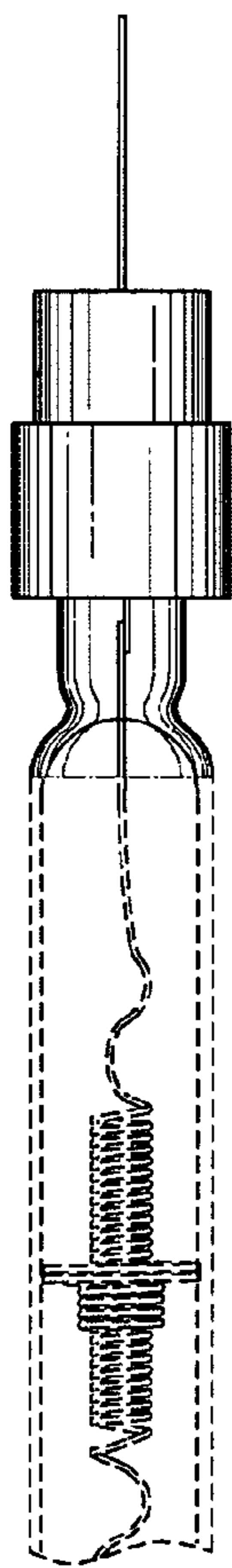
**FIG. 1**



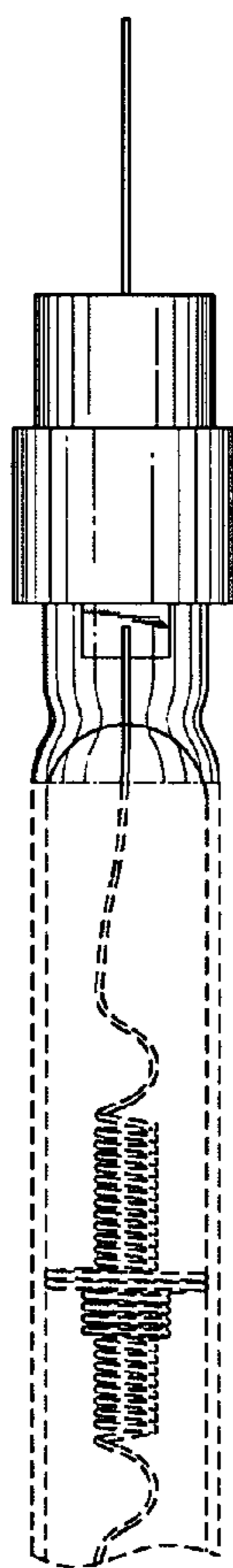
**FIG. 2**



**FIG. 3**



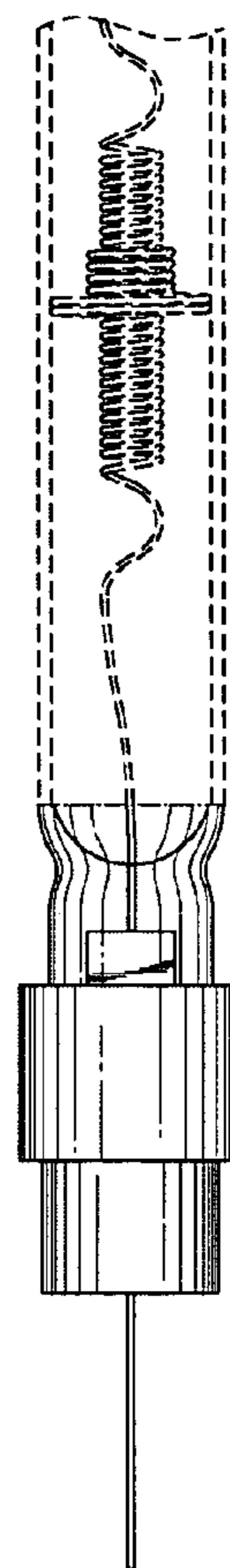
**FIG. 4**



**FIG. 5**



**FIG. 6**



**FIG. 7**