



US00D586490S

(12) **United States Design Patent**  
**Kong et al.**

(10) **Patent No.:** **US D586,490 S**

(45) **Date of Patent:** **\*\* Feb. 10, 2009**

(54) **TABLE LAMP**

D479,351 S \* 9/2003 Ashfield ..... D26/44  
D564,114 S \* 3/2008 Wei ..... D26/44

(75) Inventors: **Kin-man Kong**, North Point (HK);  
**Chung-fong Eddy Leung**, North Point  
(HK)

\* cited by examiner

*Primary Examiner*—Cathron C Brooks

*Assistant Examiner*—Barbara Fox

(73) Assignee: **Foster Kenergy Products Limited**,  
North Point (HK)

(74) *Attorney, Agent, or Firm*—Law Office of Sergei Orel,  
LLC

(\*\*) Term: **14 Years**

(57) **CLAIM**

(21) Appl. No.: **29/301,017**

We claim the ornamental design for a table lamp, as shown  
and described.

(22) Filed: **Feb. 6, 2008**

**DESCRIPTION**

(51) **LOC (9) Cl.** ..... **26-05**

FIG. 1 is a perspective view of the table lamp showing our  
new design;

(52) **U.S. Cl.** ..... **D26/63**

FIG. 2 is an additional perspective view thereof;

(58) **Field of Classification Search** ..... D26/24,  
D26/37, 43, 44, 51, 56, 60–66, 71, 72, 85,  
D26/93, 107, 118, 138; 362/410, 413, 414,  
362/419, 427, 285, 287, 282, 277, 275, 274,  
362/271, 270, 269, 431; D13/110, 133, 139.2;  
D16/135; D10/106

FIG. 3 is a front view thereof;

FIG. 4 is a rear view thereof;

FIG. 5 is a side view thereof;

FIG. 6 is an opposite side view thereof;

FIG. 7 is a top view thereof; and,

FIG. 8 is a bottom view thereof.

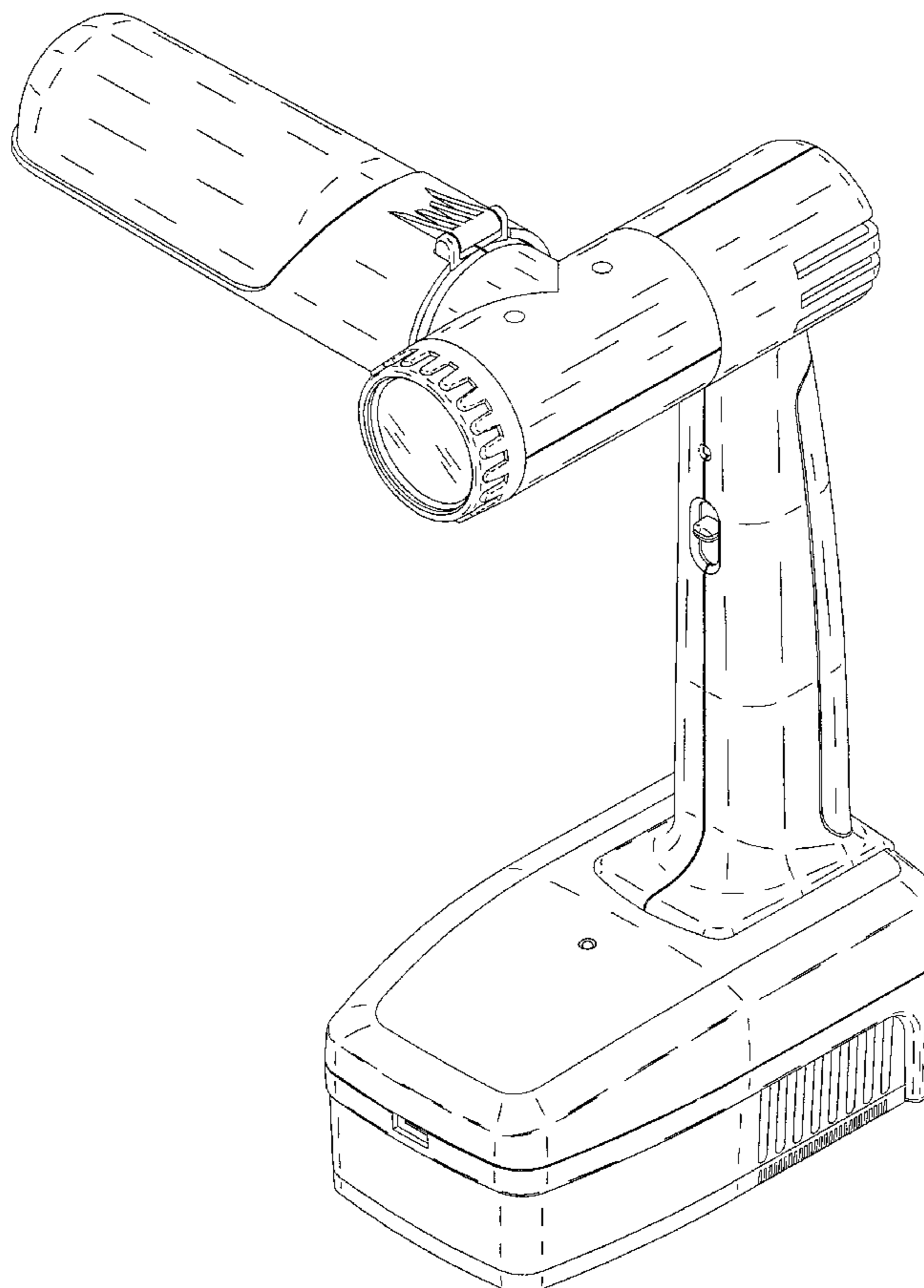
See application file for complete search history.

(56) **References Cited**

**U.S. PATENT DOCUMENTS**

D300,876 S \* 4/1989 Sakai ..... D26/107

**1 Claim, 8 Drawing Sheets**



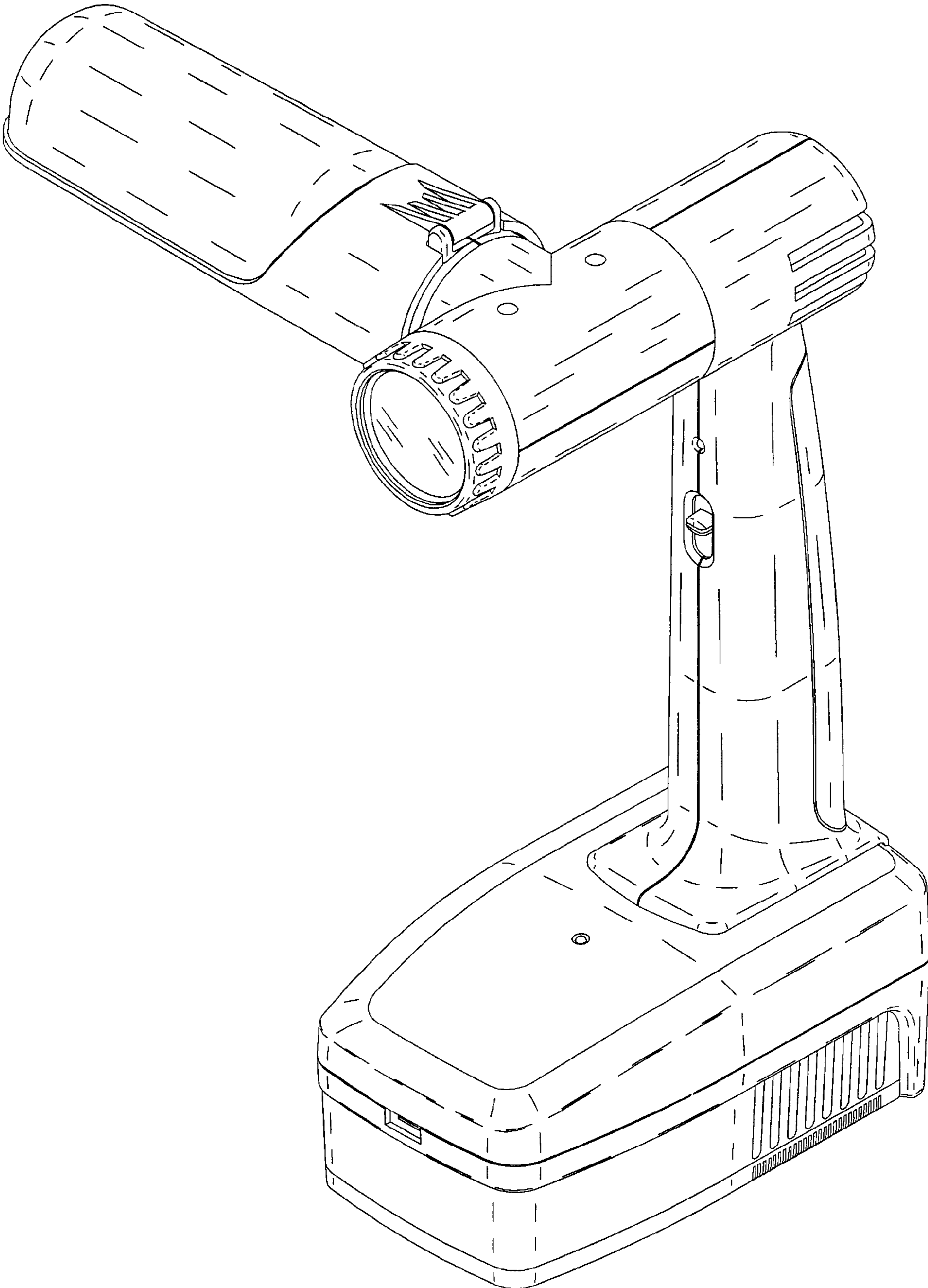


FIG. 1

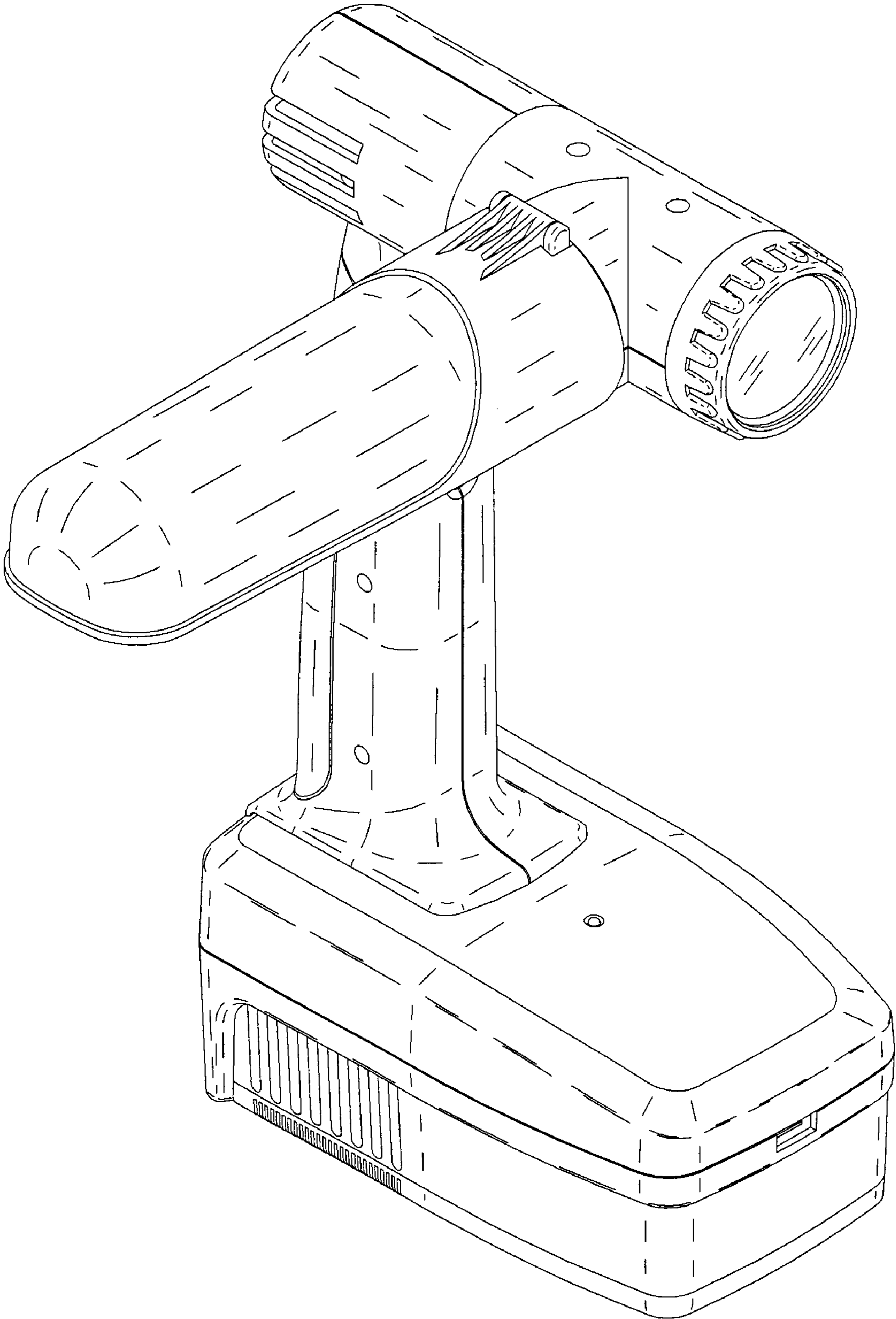


FIG. 2

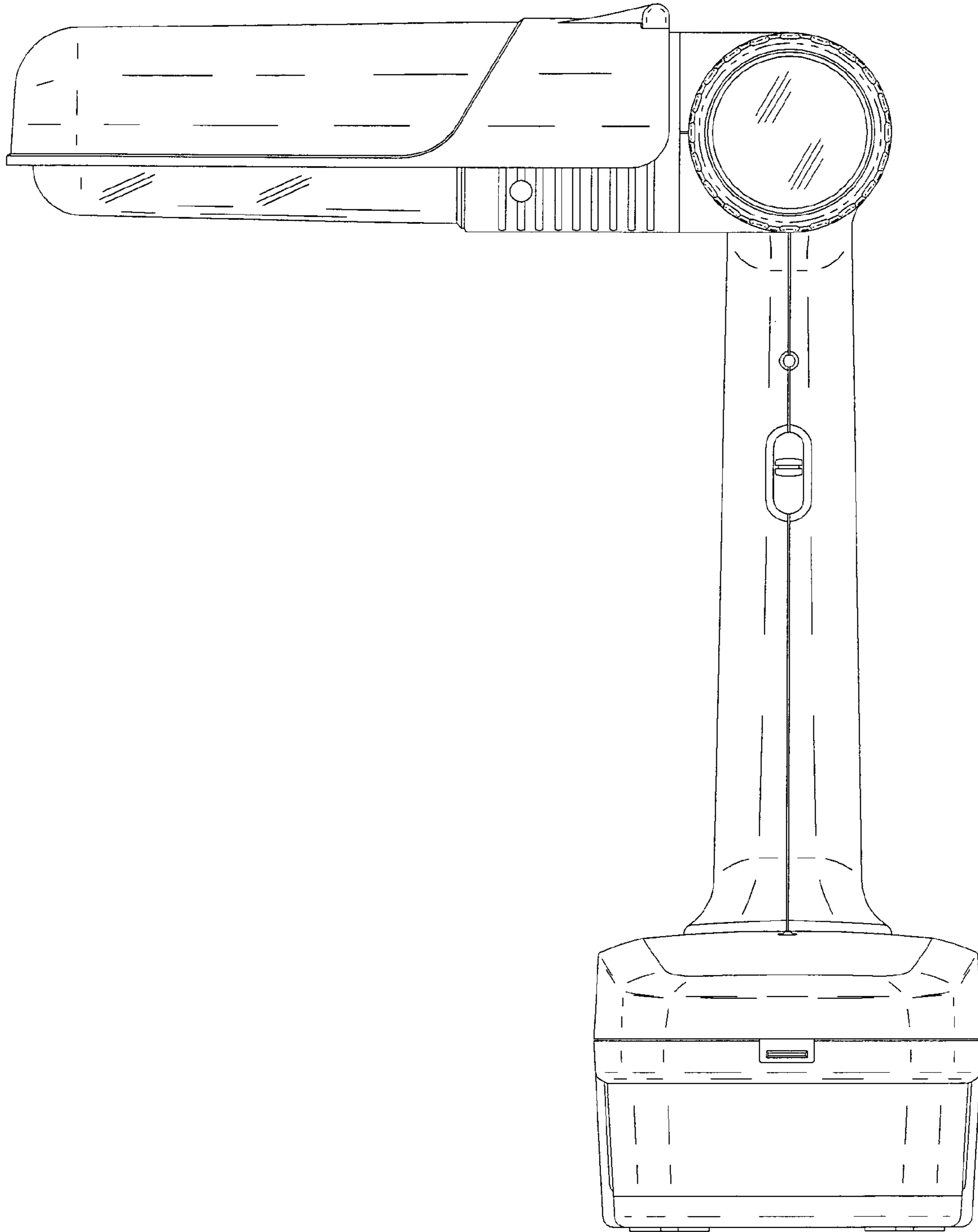


FIG. 3

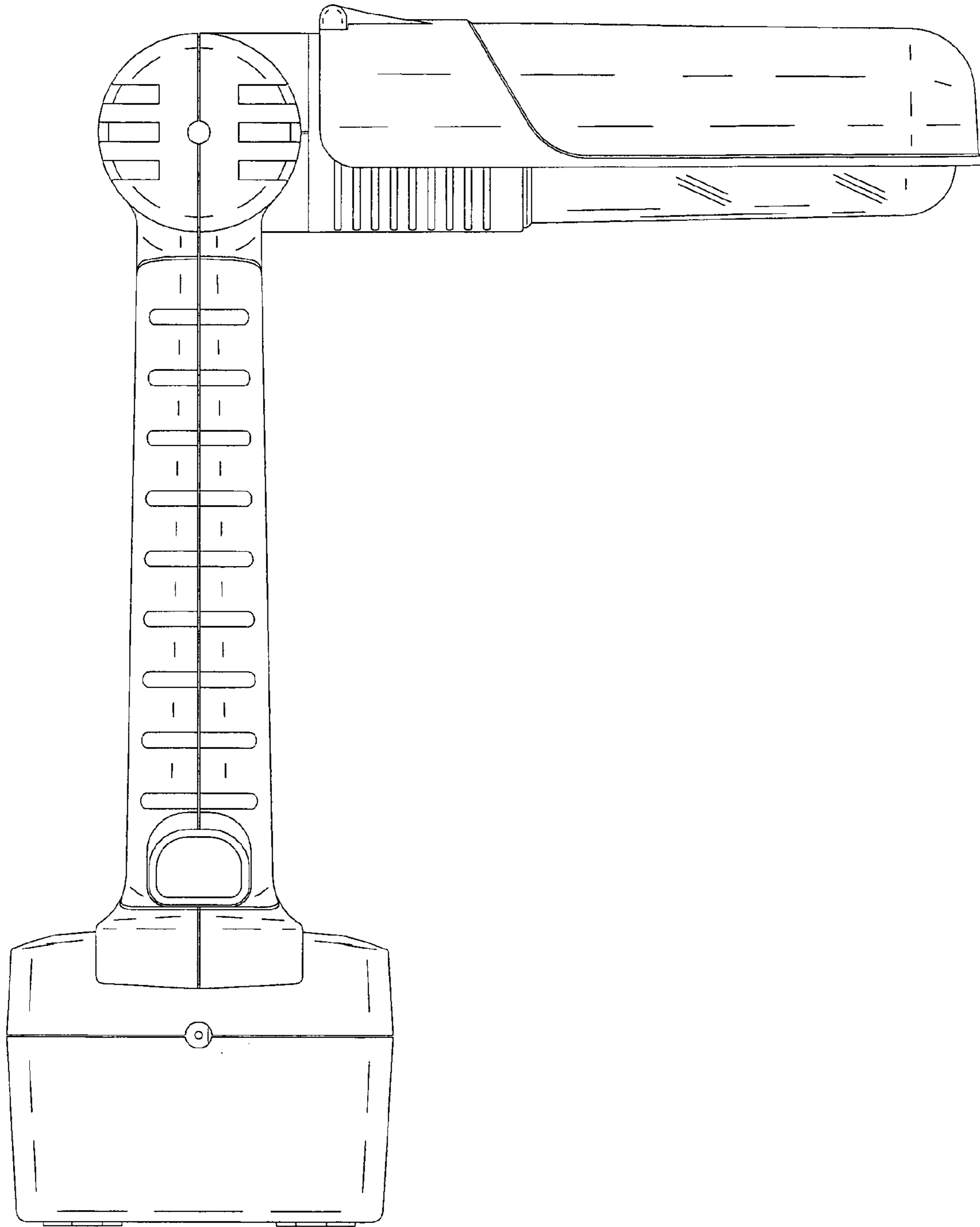


FIG. 4



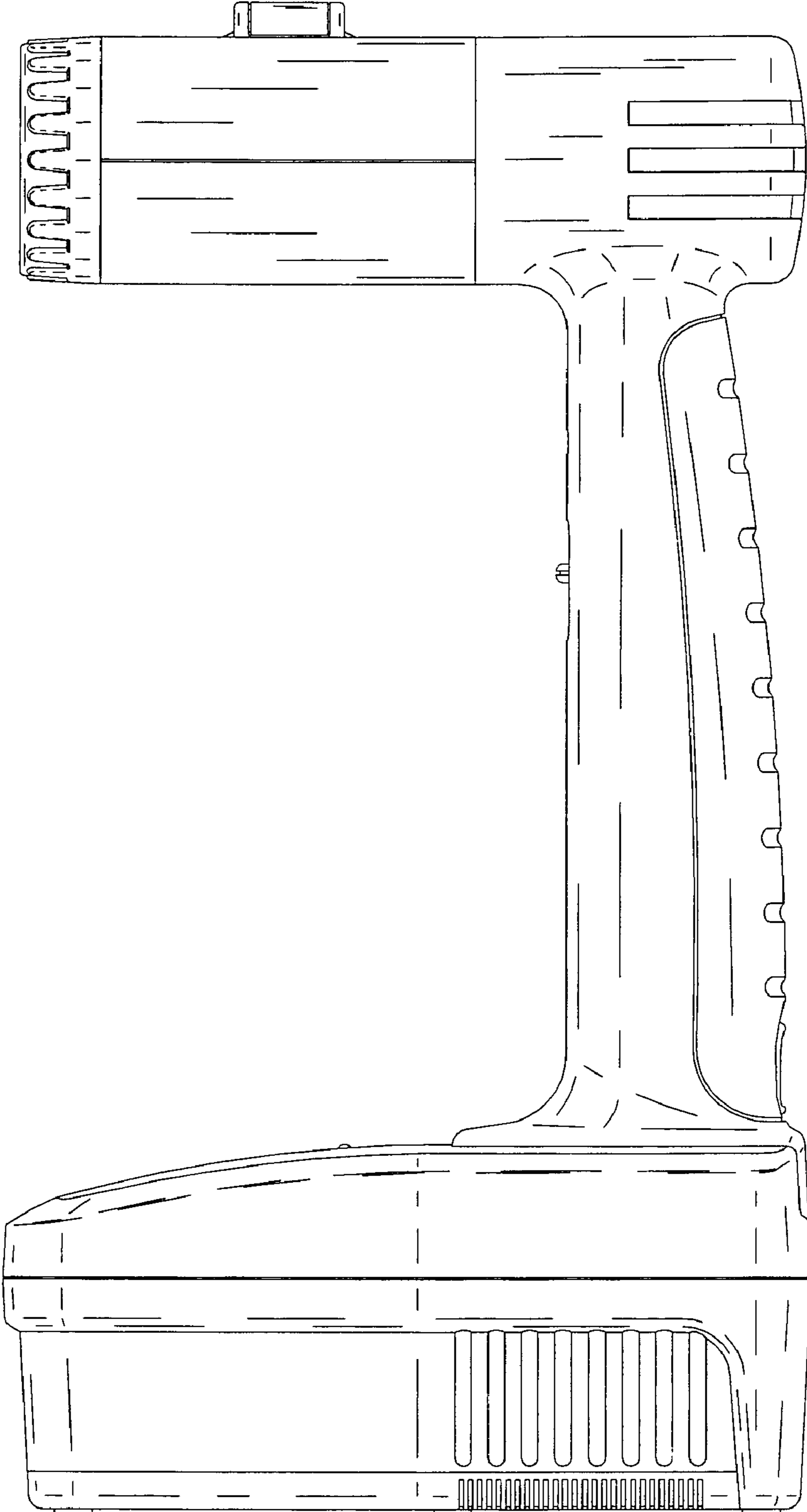


FIG. 5

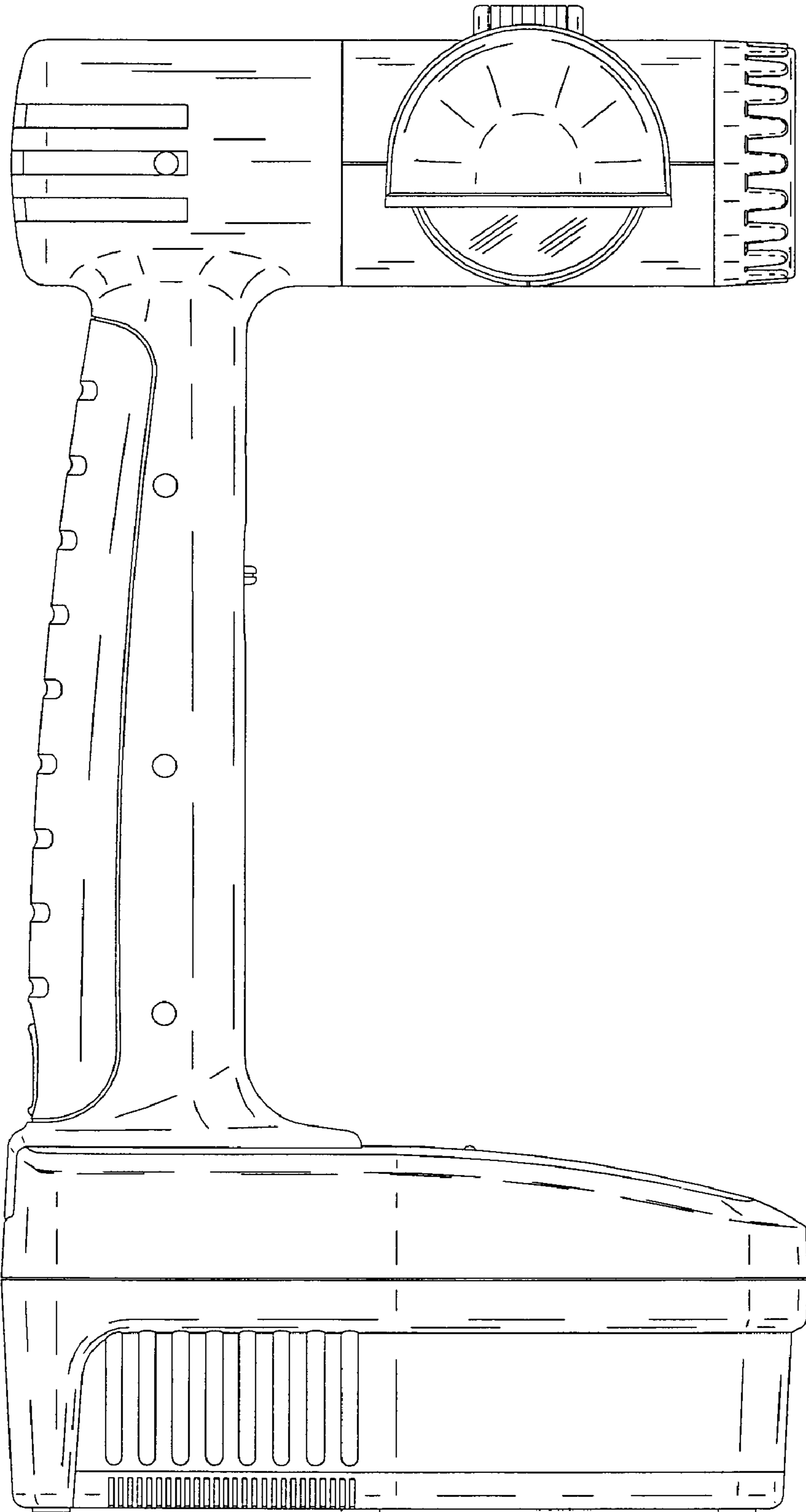


FIG. 6

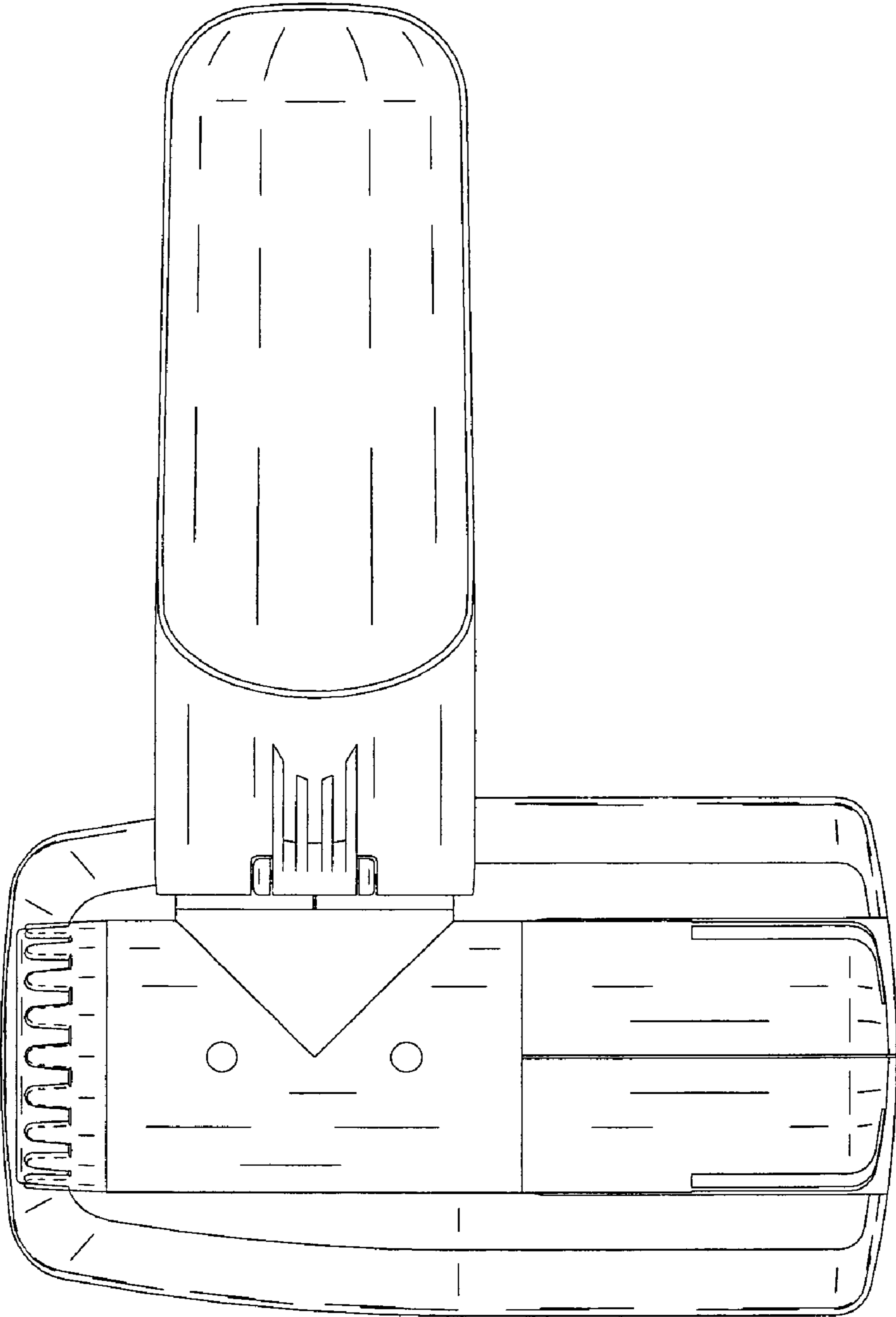


FIG. 7



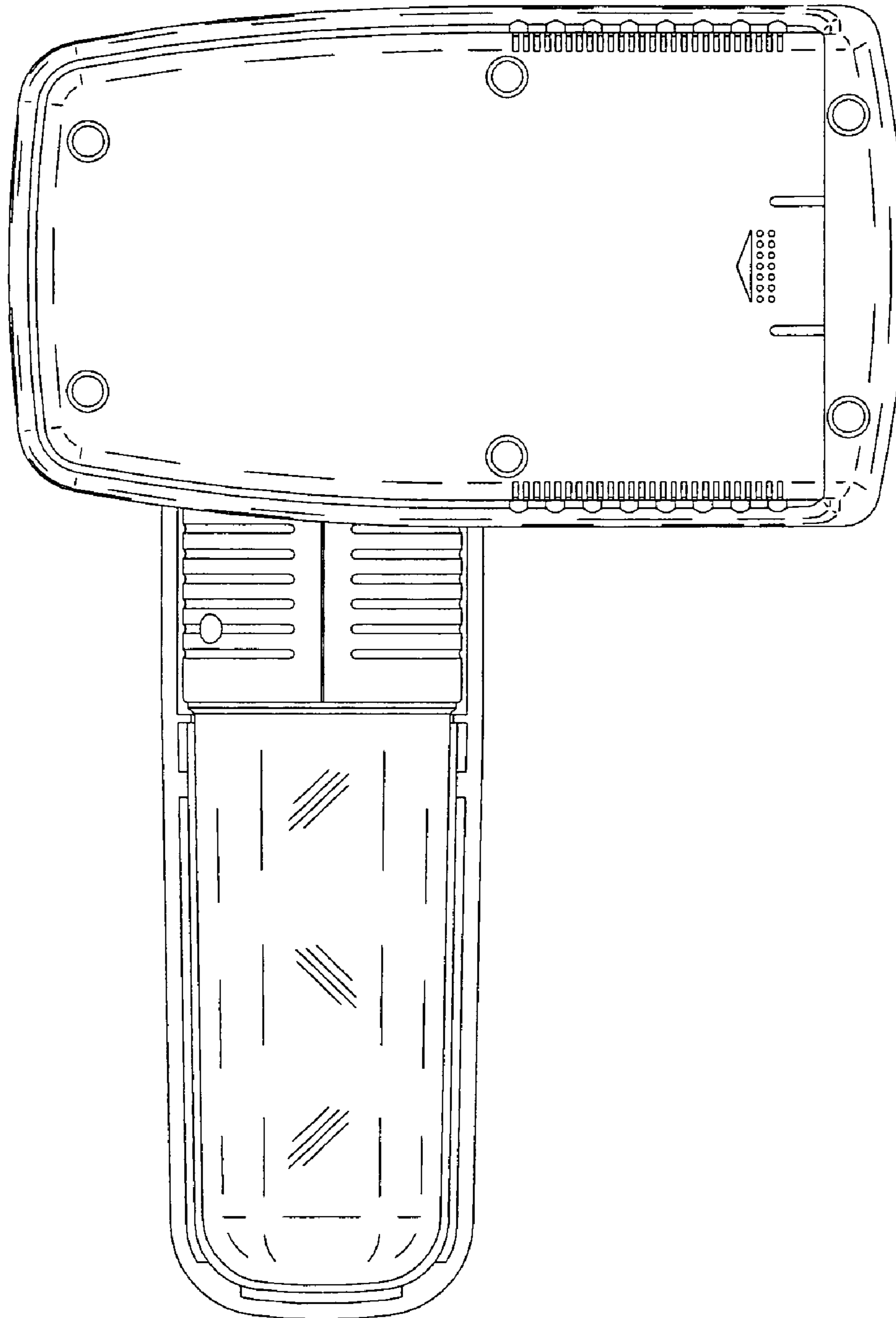


FIG. 8