



US00D586489S

(12) **United States Design Patent**  
**Shiu**

(10) **Patent No.:** **US D586,489 S**

(45) **Date of Patent:** **\*\* Feb. 10, 2009**

(54) **FLASHLIGHT**

(75) **Inventor:** **Stephanie Wai Man Shiu**, Kowloon (HK)

(73) **Assignee:** **Gold Coral International Limited**, San Po Kong, Kowloon (CN)

(\*\*) **Term:** **14 Years**

(21) **Appl. No.:** **29/319,619**

(22) **Filed:** **Jun. 11, 2008**

(30) **Foreign Application Priority Data**

Dec. 18, 2007 (HK) ..... 0703161

(51) **LOC (9) Cl.** ..... **26-02**

(52) **U.S. Cl.** ..... **D26/49**

(58) **Field of Classification Search** ..... D26/37,  
D26/46, 49; 362/157, 158, 183, 195, 196,  
362/200-208

See application file for complete search history.

(56) **References Cited**

**U.S. PATENT DOCUMENTS**

- D557,839 S \* 12/2007 Shiu ..... D26/37
- D567,416 S \* 4/2008 Shiu ..... D26/37
- D567,976 S \* 4/2008 Shiu ..... D26/37
- D577,449 S \* 9/2008 Shiu ..... D26/49

- D577,843 S \* 9/2008 Couture et al. .... D26/49
- D577,844 S \* 9/2008 Shiu ..... D26/49
- D578,236 S \* 10/2008 Dalton ..... D26/49

\* cited by examiner

*Primary Examiner*—Ian Simmons

*Assistant Examiner*—Carissa C Fitts

(74) *Attorney, Agent, or Firm*—Joseph G. Swan, PC

(57) **CLAIM**

The ornamental design for a flashlight, as shown and described.

**DESCRIPTION**

FIG. 1 is a top plan view of a flashlight according to the present invention.

FIG. 2 is a right side elevational view of the flashlight.

FIG. 3 is a front elevational view of the flashlight.

FIG. 4 is a rear elevational view of the flashlight.

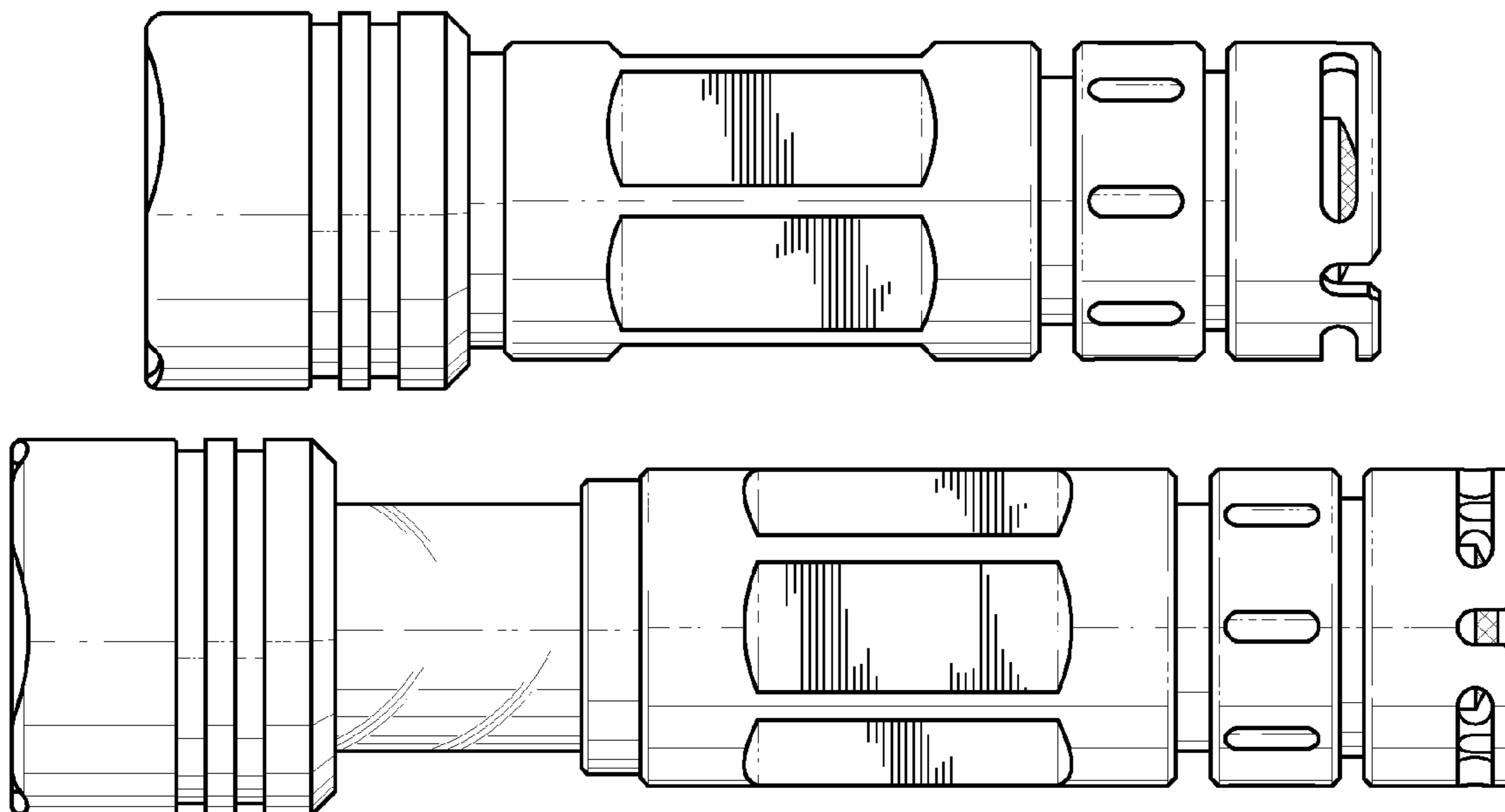
FIG. 5 is a bottom plan view of the flashlight.

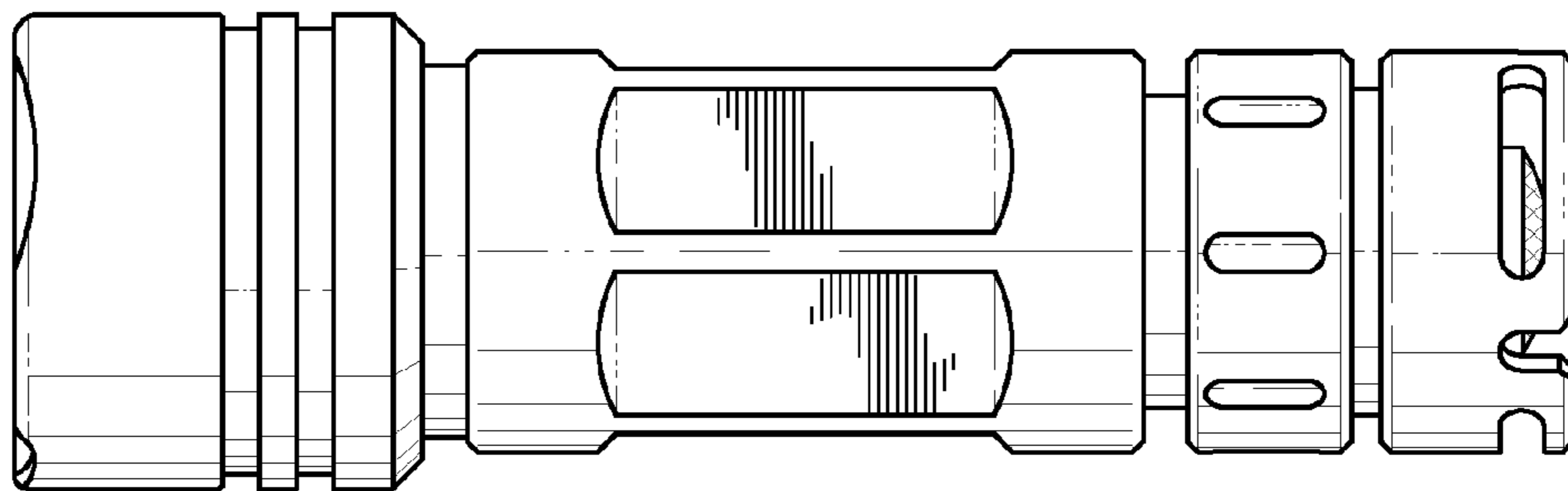
FIG. 6 is a left side elevational view of the flashlight; and,

FIG. 7 is a right side elevational view of the flashlight with its body extended.

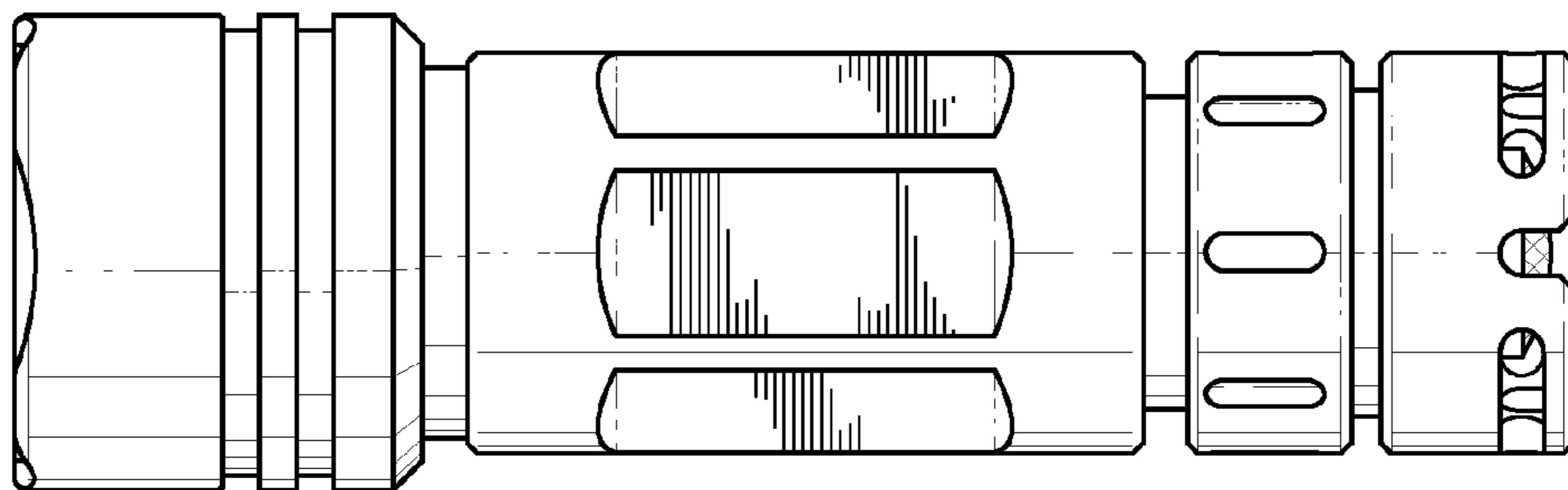
The broken lines immediately adjacent the full lines represent the bounds of the claimed design; the broken lines form no part of the claimed design.

**1 Claim, 2 Drawing Sheets**

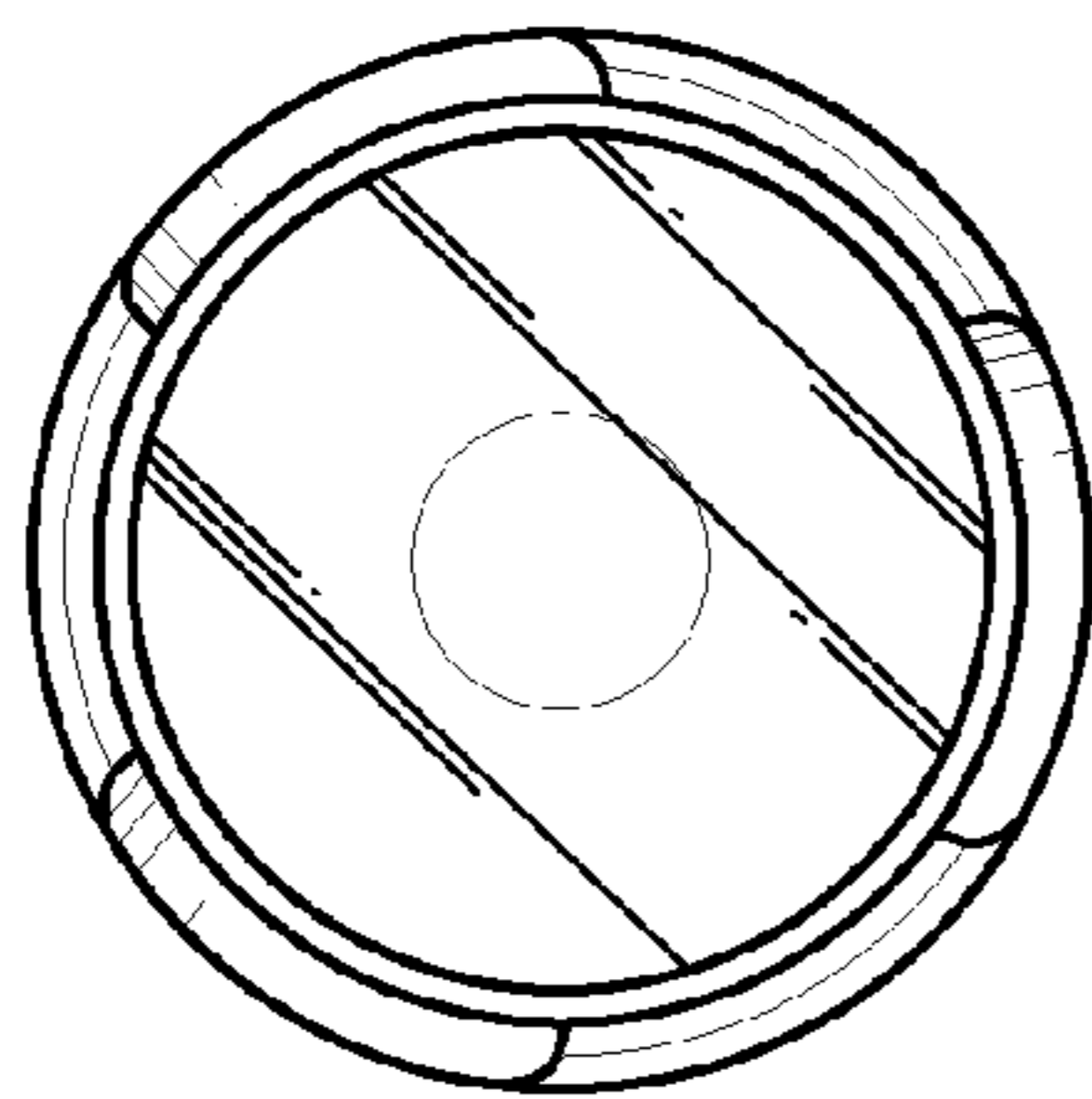




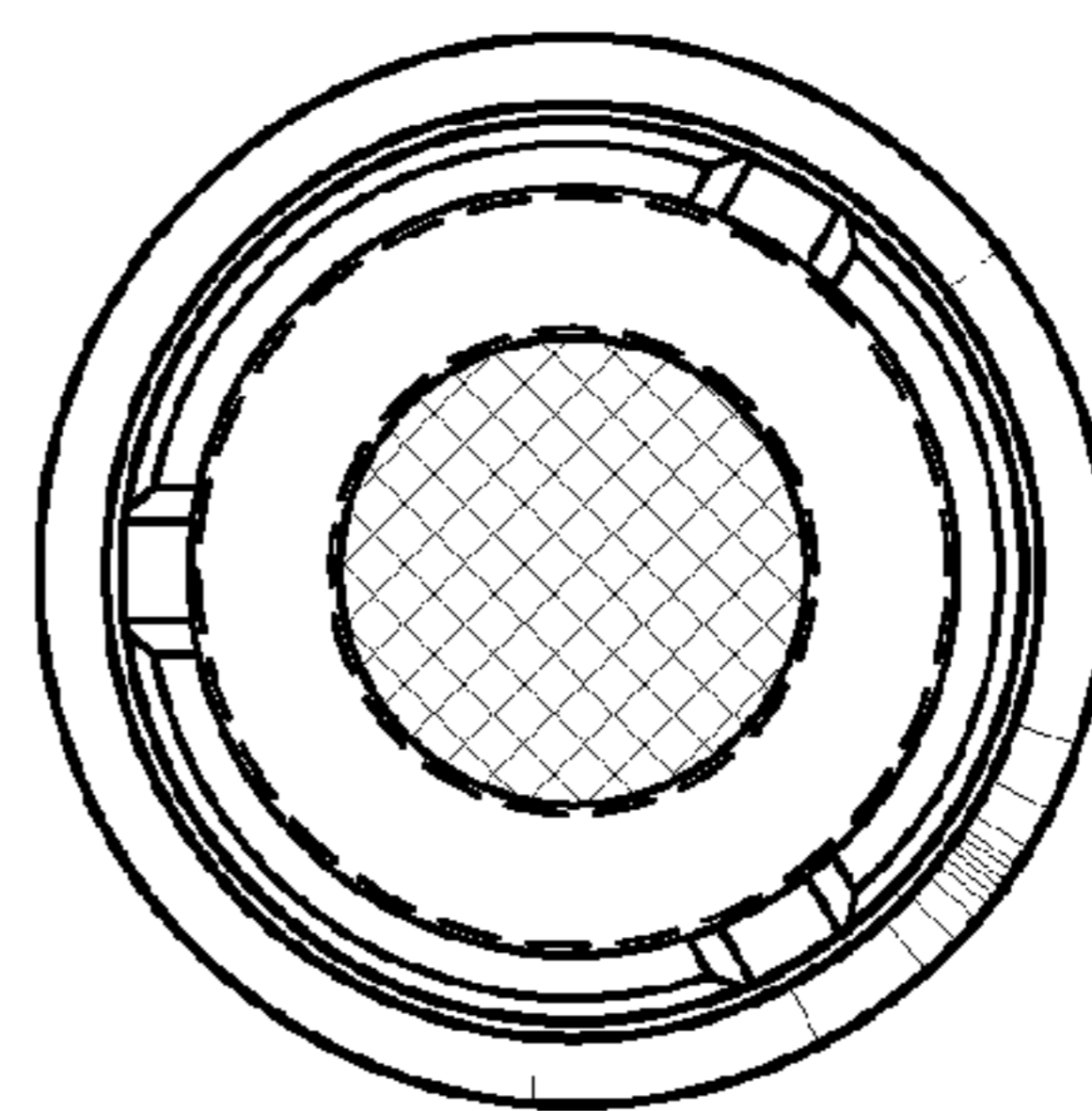
*FIG. 1*



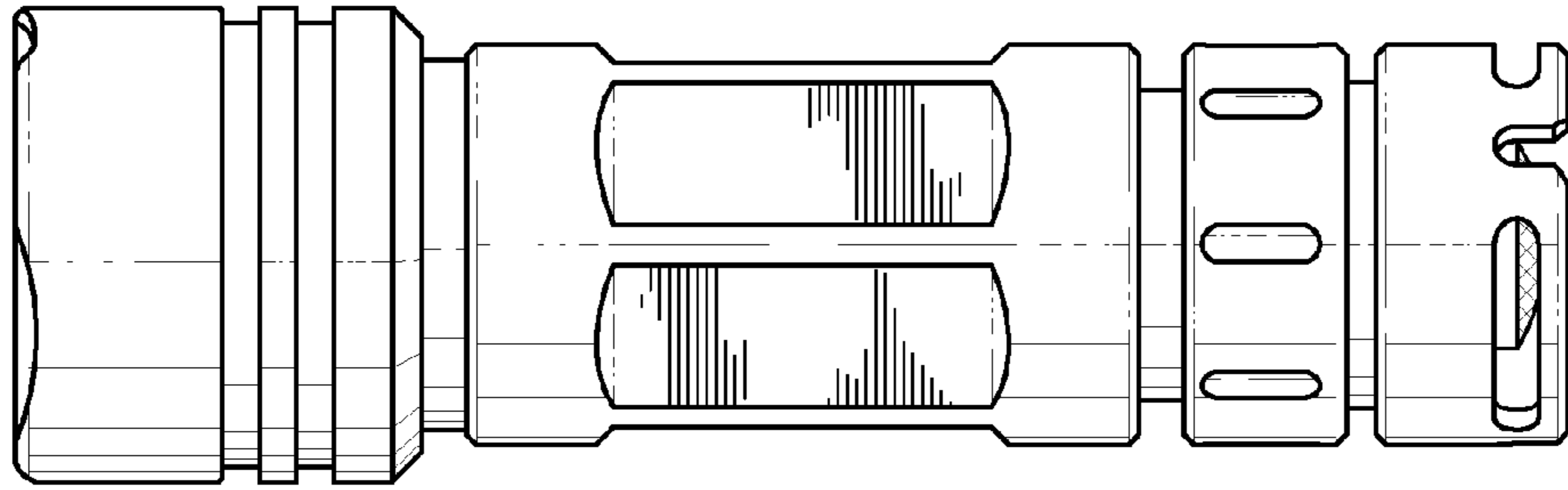
*FIG. 2*



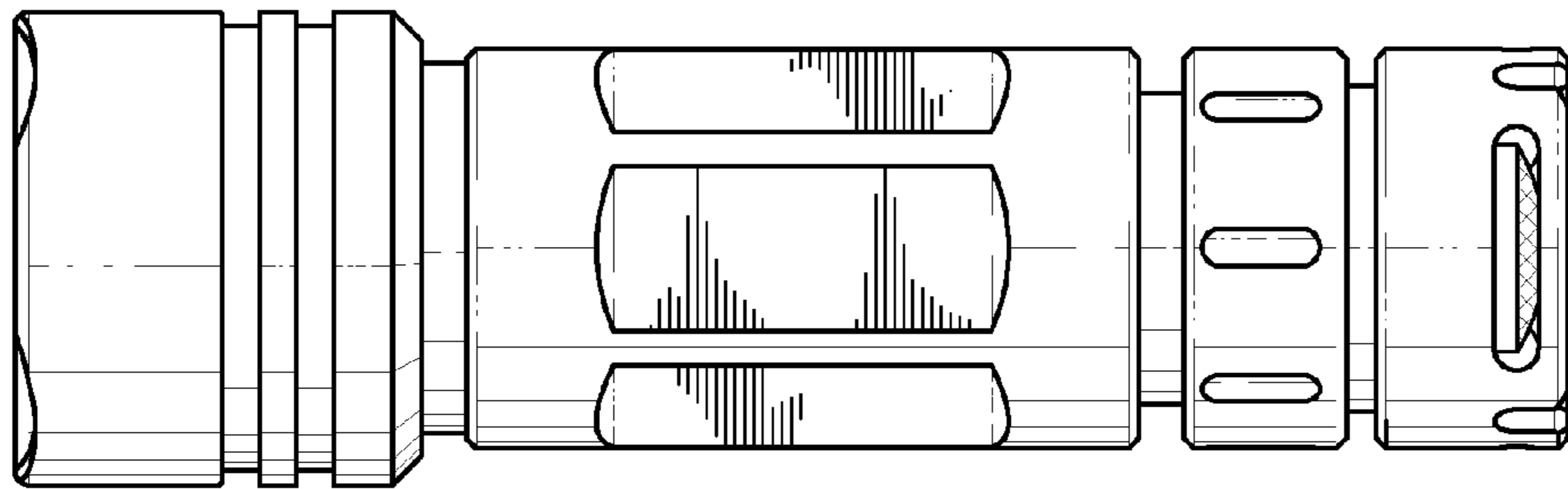
*FIG. 3*



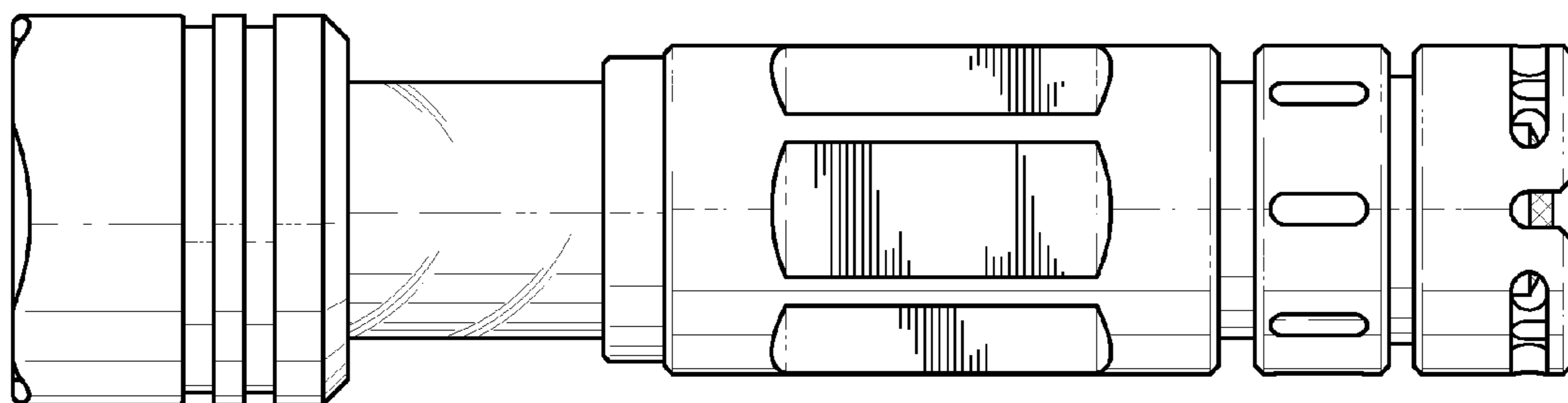
*FIG. 4*



*FIG. 5*



*FIG. 6*



*FIG. 7*