



US00D586488S

(12) **United States Design Patent**  
**Kung**

(10) **Patent No.:** **US D586,488 S**

(45) **Date of Patent:** **\*\* Feb. 10, 2009**

(54) **FLASHLIGHT**

(75) Inventor: **Kenneth Kung**, Columbus, OH (US)

(73) Assignee: **Dorcy International Inc.**, Columbus

(\*\*) Term: **14 Years**

(21) Appl. No.: **29/302,148**

(22) Filed: **Jan. 11, 2008**

(51) **LOC (9) Cl.** ..... **26-02**

(52) **U.S. Cl.** ..... **D26/49**

(58) **Field of Classification Search** ..... D26/24,  
D26/37, 46, 49-50; 362/183, 194-195, 202-205  
See application file for complete search history.

(56) **References Cited**

U.S. PATENT DOCUMENTS

D437,436 S *	2/2001	Brown .....	D26/49
D463,596 S *	9/2002	McGaffigan .....	D26/49
D565,769 S *	4/2008	Shiu .....	D26/49

\* cited by examiner

*Primary Examiner*—Ian Simmons  
*Assistant Examiner*—Dana L Sipos

(57) **CLAIM**

The ornamental design for a flashlight, as shown and described.

**DESCRIPTION**

FIG. 1 is a front elevation view of a flashlight showing my new design;

FIG. 2 is a rear elevation view thereof;

FIG. 3 is a left side elevation view thereof;

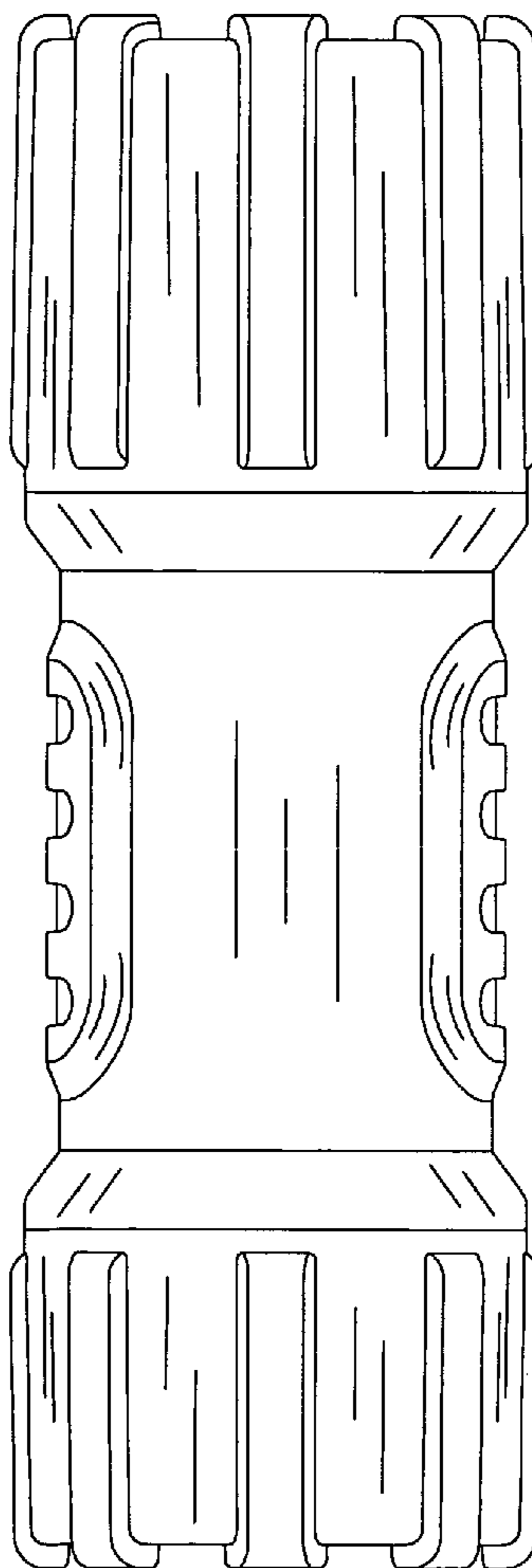
FIG. 4 is a right side elevation view thereof;

FIG. 5 is a top plan view thereof; and,

FIG. 6 is a bottom plan view thereof.

The broken line shown in the drawings represent unclaimed details of the flashlight and form no part of the claimed design.

**1 Claim, 3 Drawing Sheets**



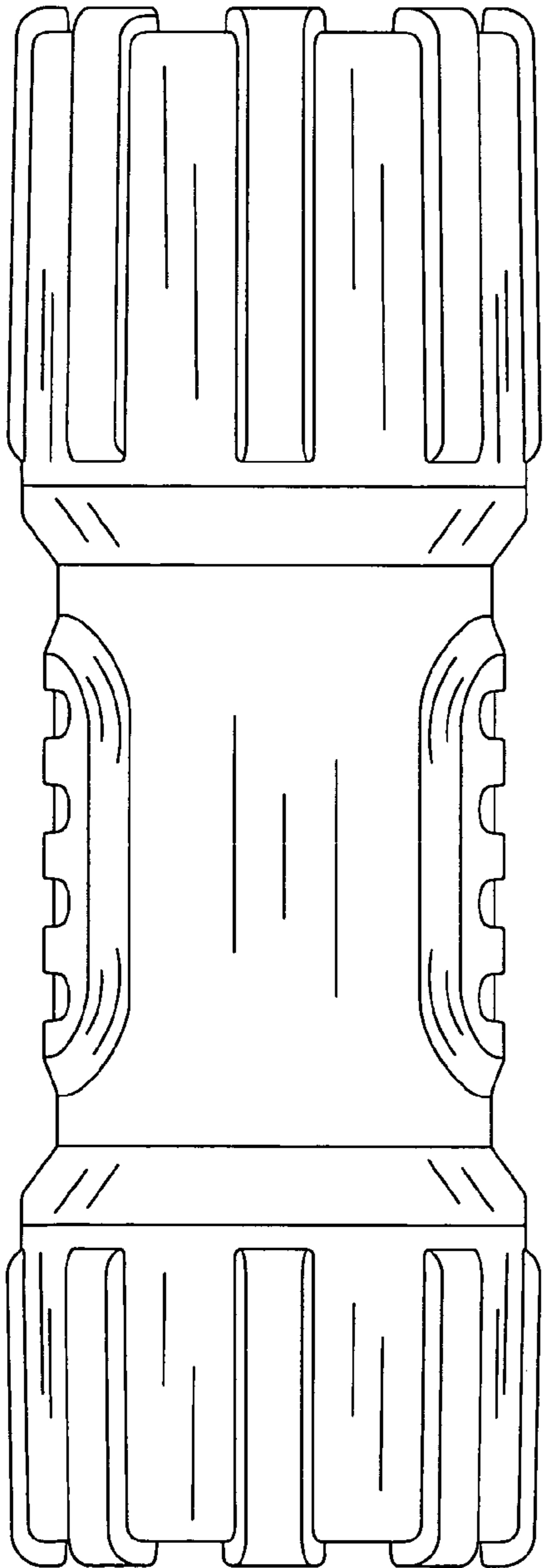


FIG.1

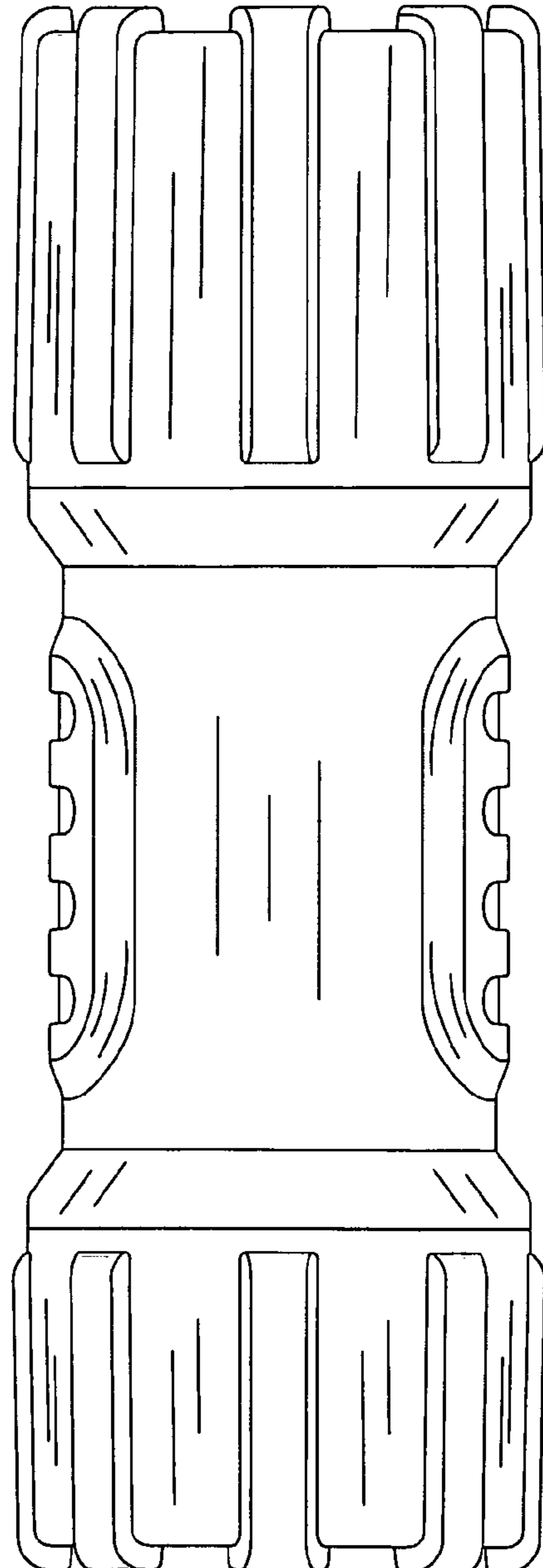


FIG.2

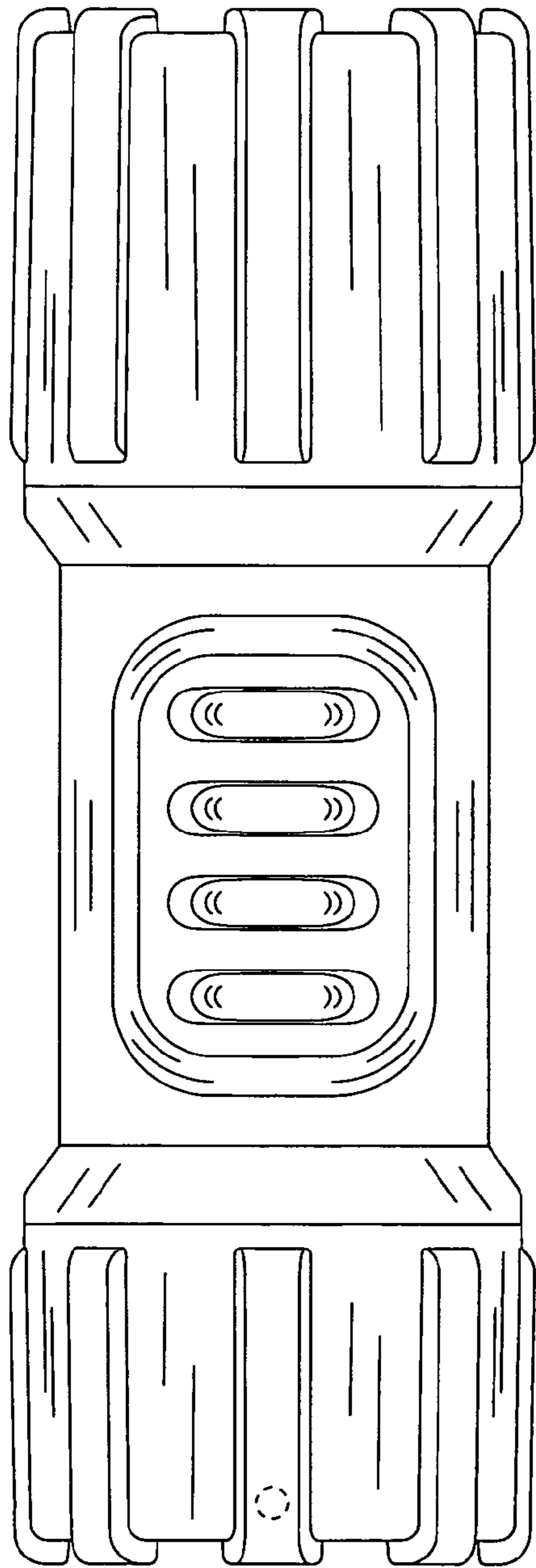


FIG.3

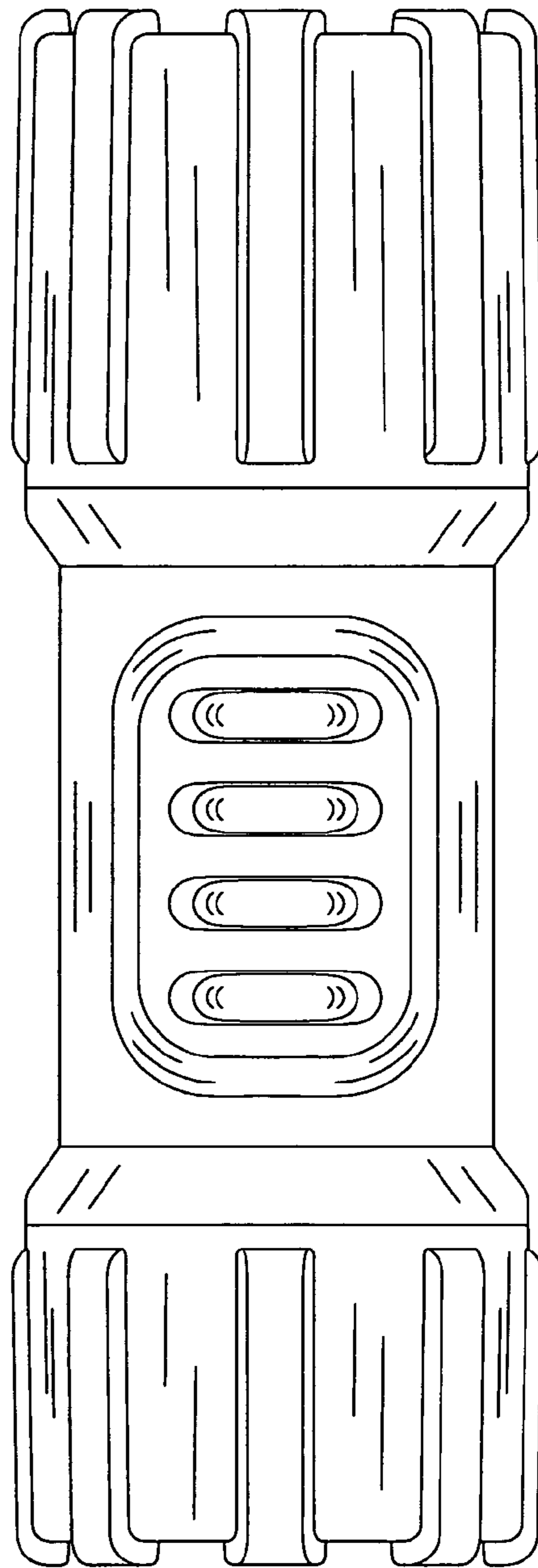


FIG.4

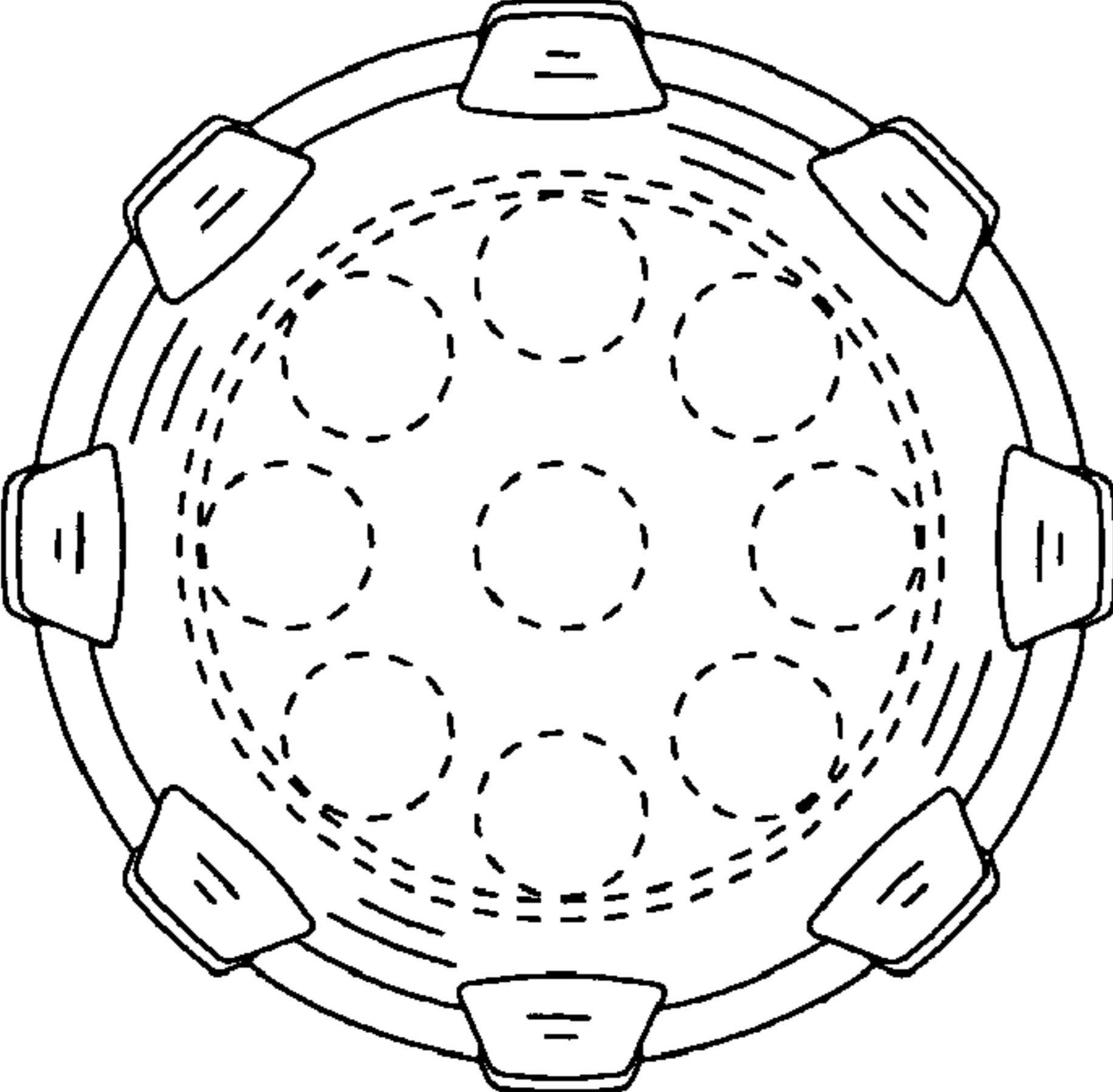


FIG.5

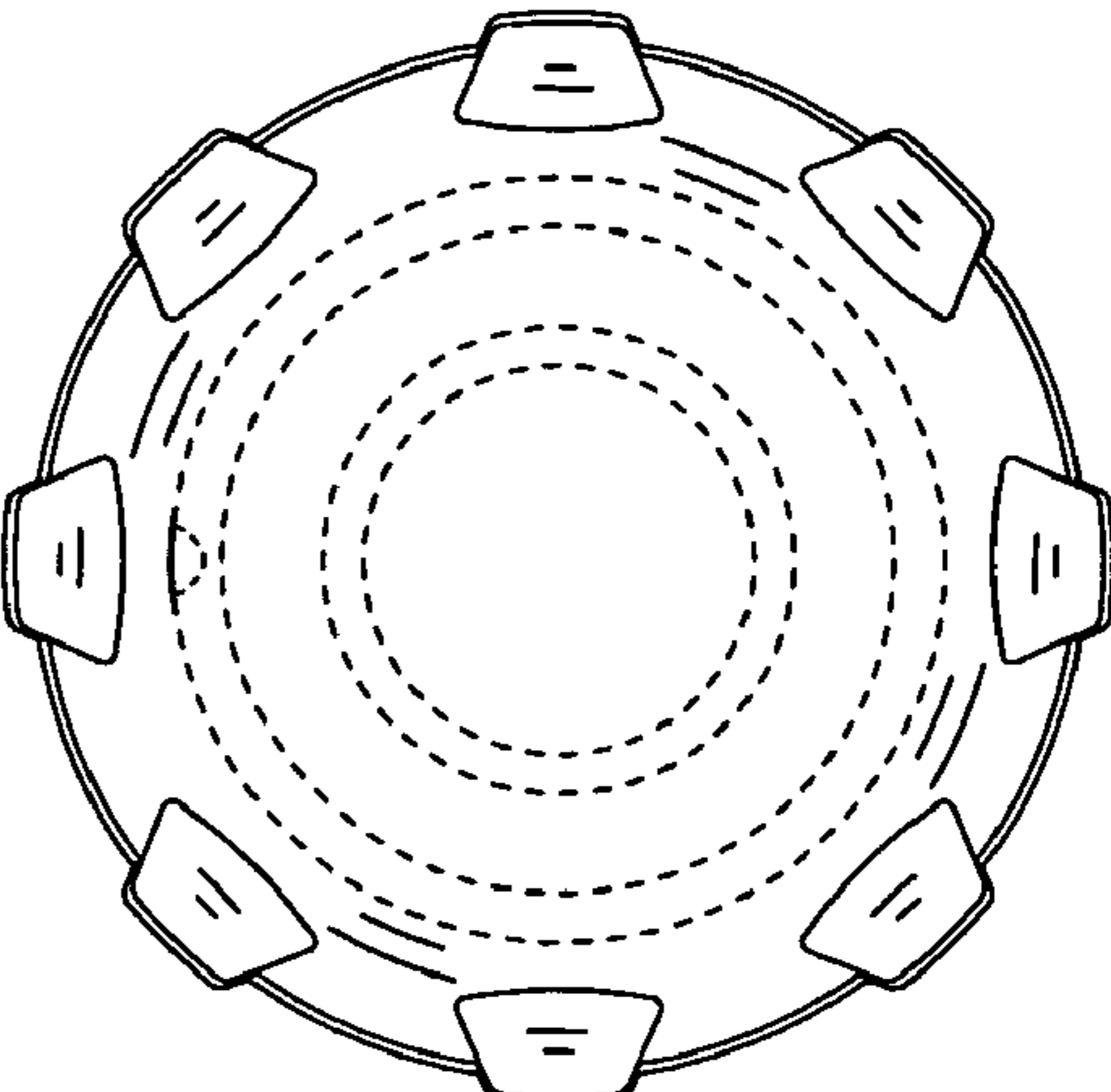


FIG.6