



US00D586486S

(12) **United States Design Patent**
DiPenti et al.

(10) **Patent No.:** **US D586,486 S**

(45) **Date of Patent:** **** Feb. 10, 2009**

(54) **LED HEADLAMP**

(75) Inventors: **Timothy A. DiPenti**, Russell, PA (US);
Philip C. Roller, Ashville, NY (US);
Todd H. Kolstee, North Clymer, NY (US)

(73) Assignee: **Truck-Lite Co., Inc.**, Falconer, NY (US)

(**) Term: **14 Years**

(21) Appl. No.: **29/306,457**

(22) Filed: **Apr. 9, 2008**

(51) **LOC (9) Cl.** **26-06**

(52) **U.S. Cl.** **D26/28**

(58) **Field of Classification Search** D26/28-36;
362/459-468, 475-478, 485-487
See application file for complete search history.

(56) **References Cited**

U.S. PATENT DOCUMENTS

D564,683 S *	3/2008	Roach et al.	D26/28
D570,012 S *	5/2008	Huang	D26/28
D572,856 S *	7/2008	Kehl et al.	D26/61

* cited by examiner

Primary Examiner—Marcus A. Jackson
(74) *Attorney, Agent, or Firm*—The Bilicki Law Firm, PC;
Byron A. Bilicki, Esq.; Carl A. Hjort III, Esq.

(57) **CLAIM**

The ornamental design for a LED headlamp, as shown and described.

DESCRIPTION

FIG. 1 is an exploded perspective view of a LED headlamp showing our new design;

FIG. 2 is a front perspective view thereof;

FIG. 3 is a front elevational view thereof, with the lens removed;

FIG. 4 is a front elevational view thereof, of the lens;

FIG. 5 is a front elevational view thereof, with the lens;

FIG. 6 is a rear elevational view thereof;

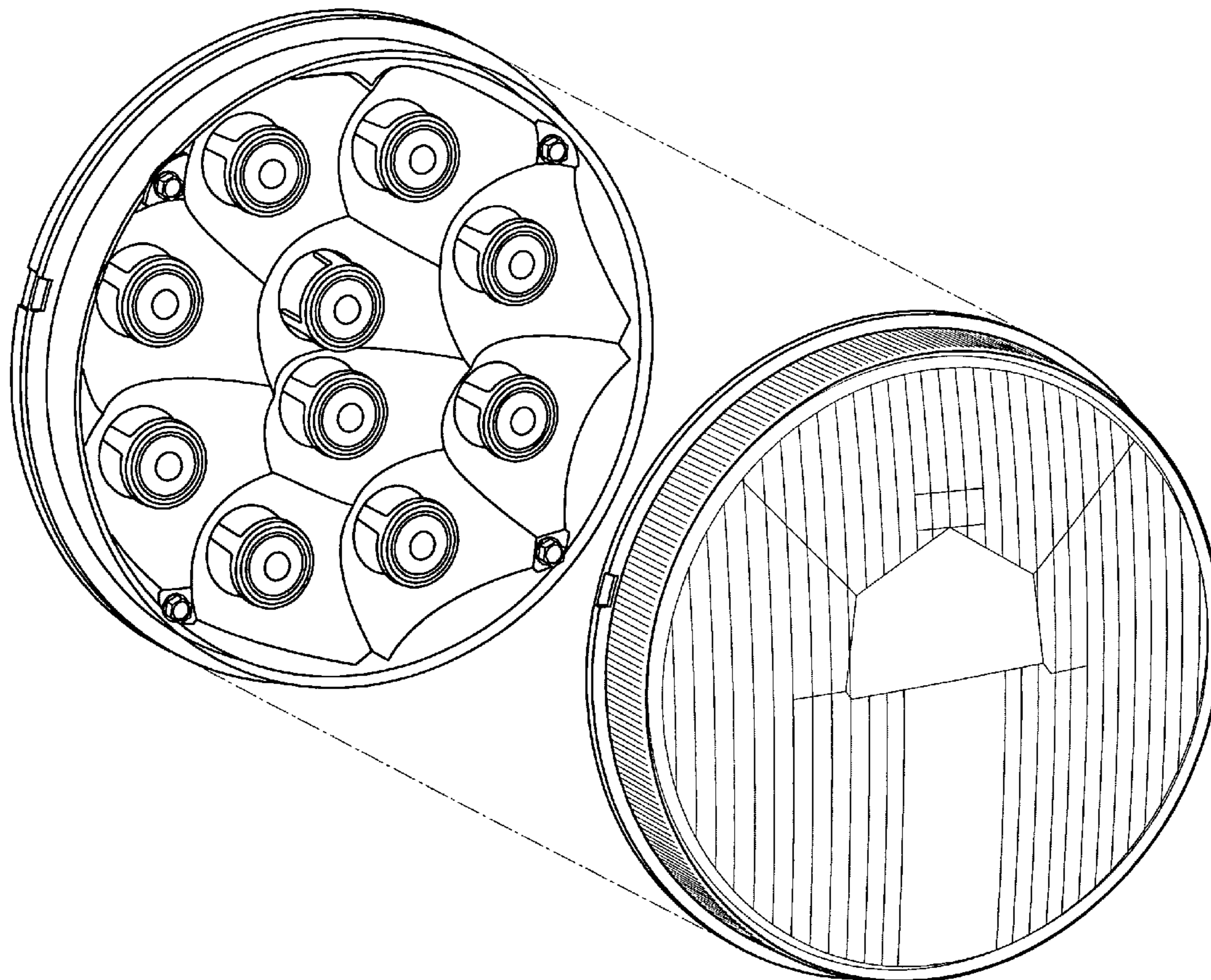
FIG. 7 is a top plan view thereof;

FIG. 8 is a bottom plan view thereof;

FIG. 9 is a left side elevational view thereof; and,

FIG. 10 is a right side elevational view thereof.

1 Claim, 9 Drawing Sheets



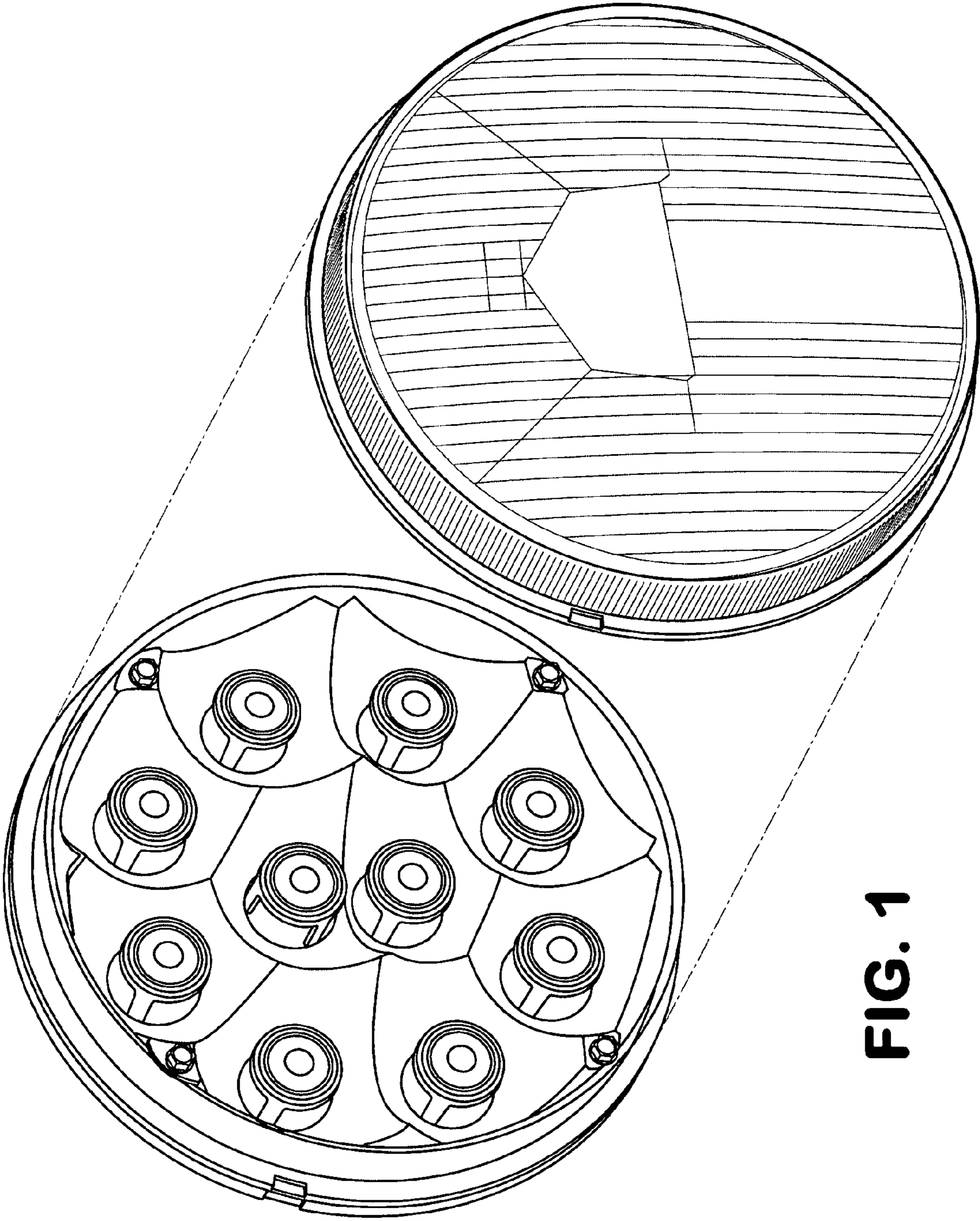


FIG. 1

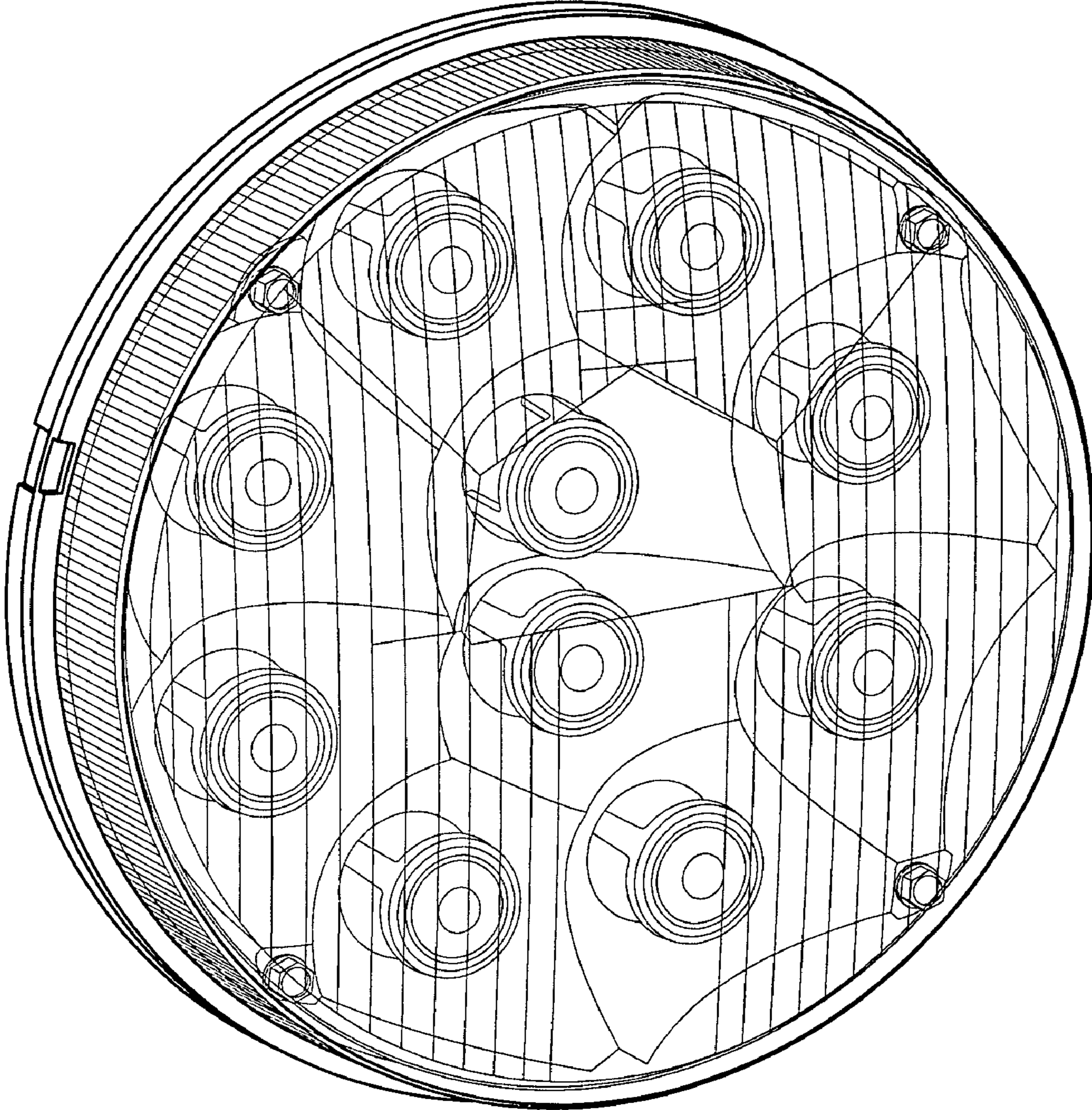


FIG. 2

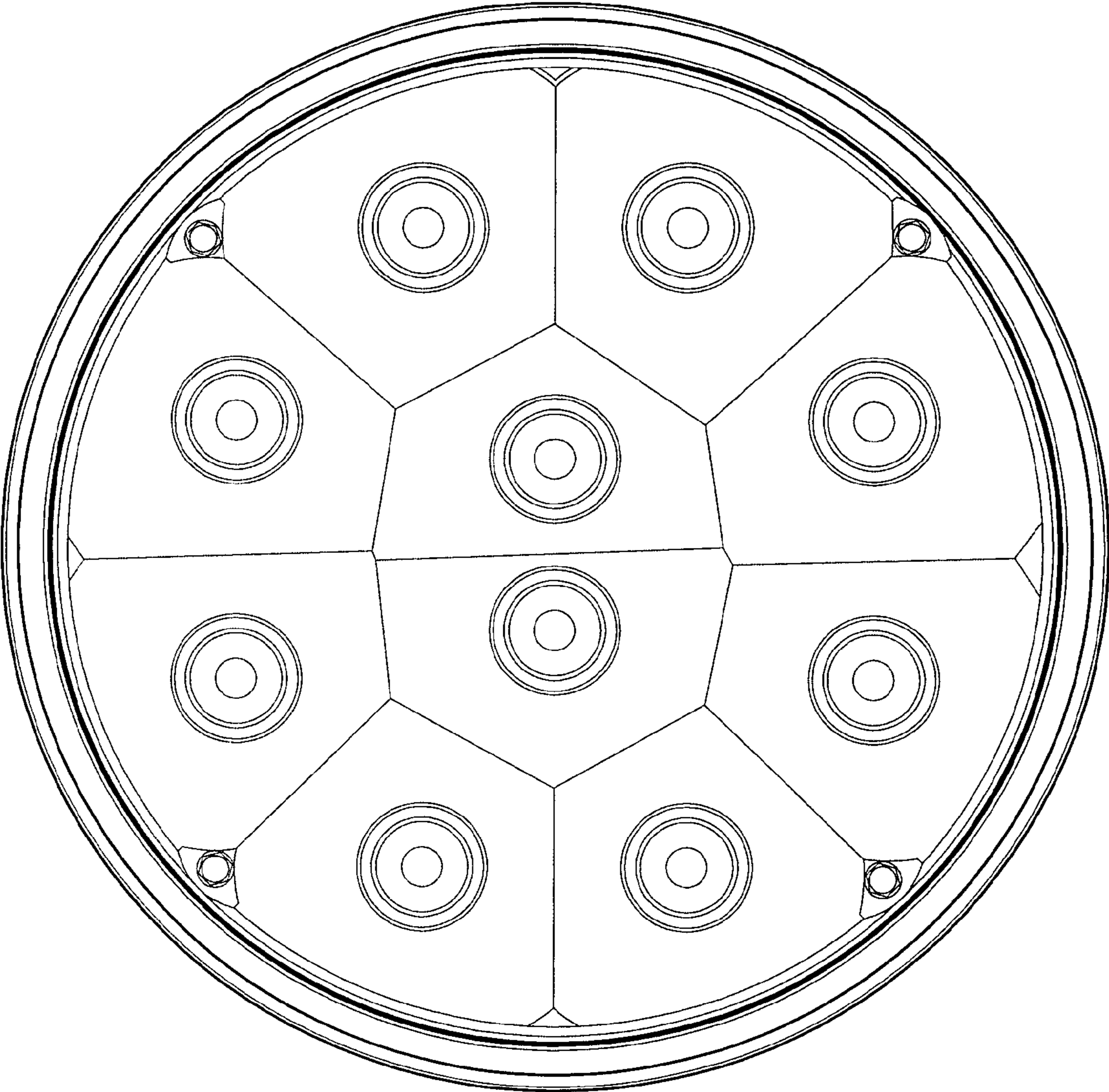


FIG. 3

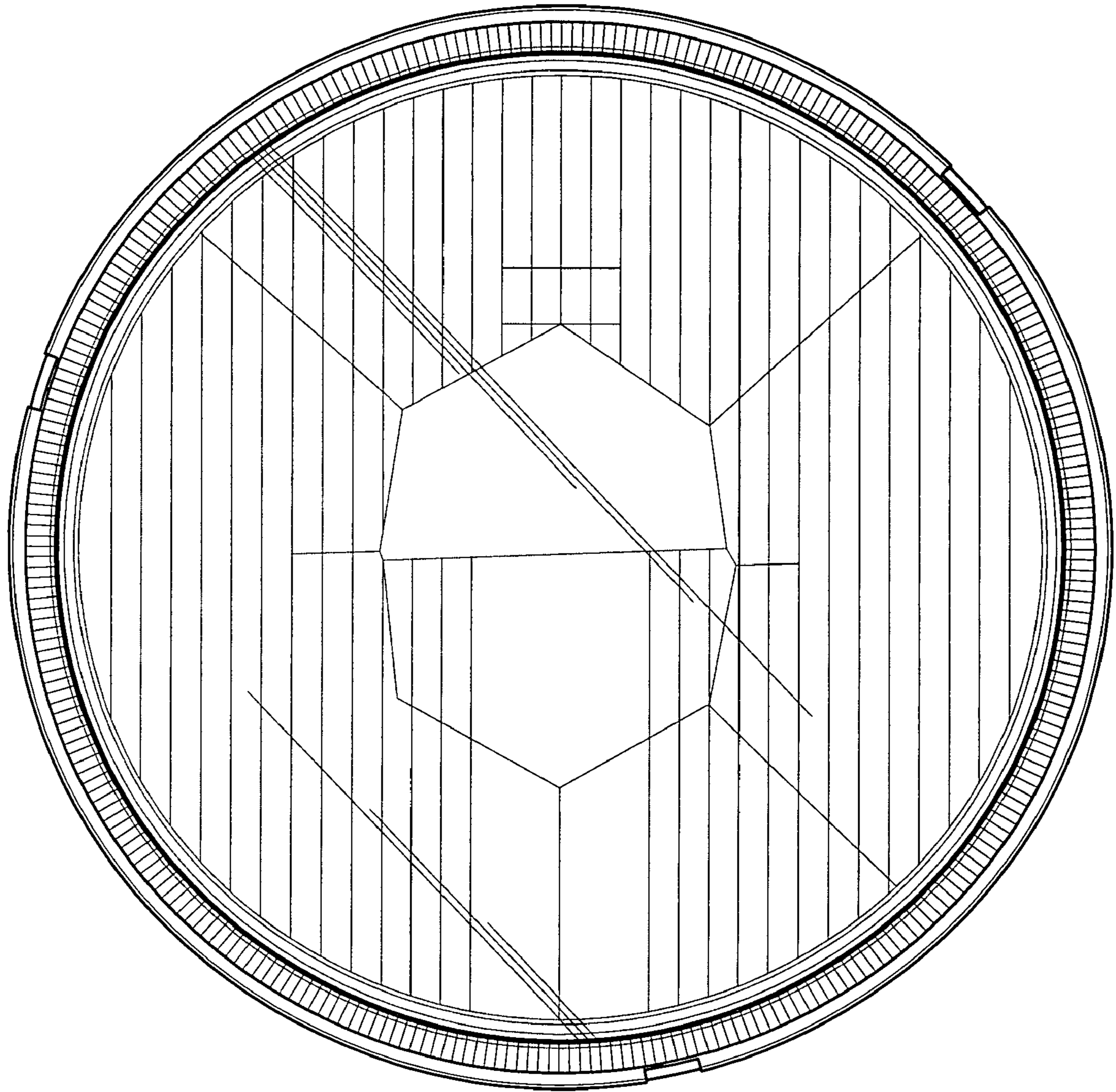


FIG. 4

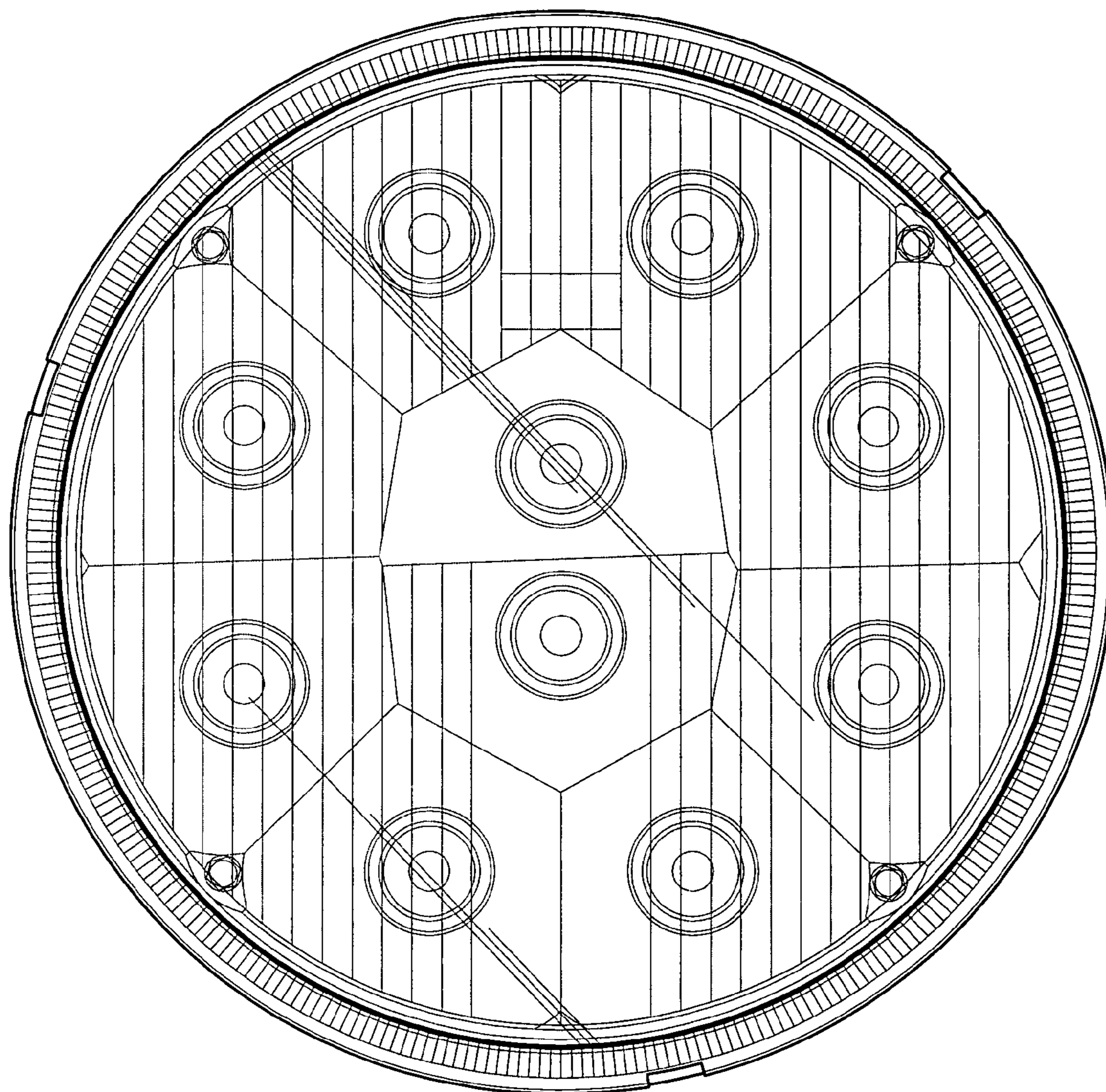


FIG. 5

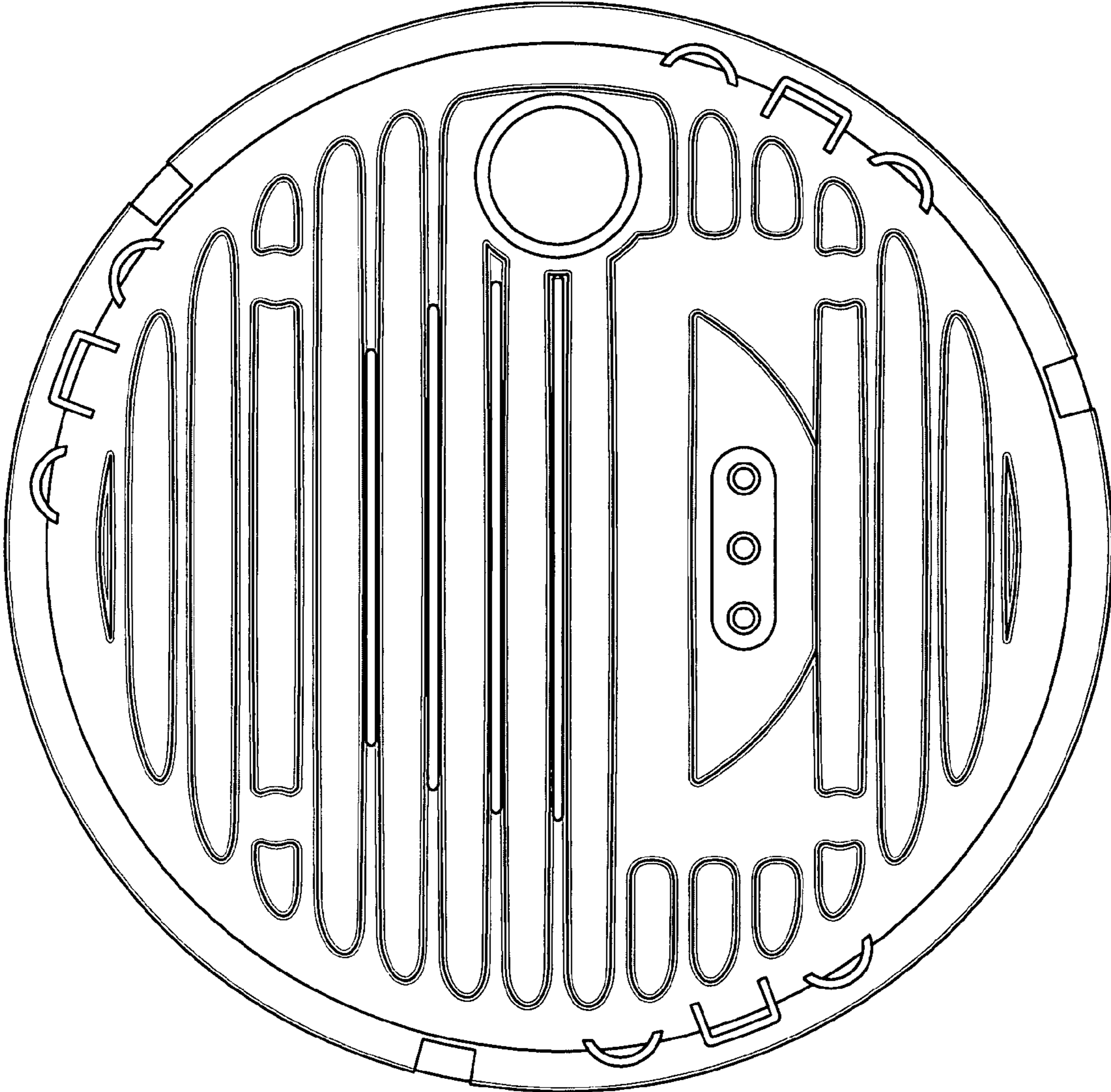


FIG. 6

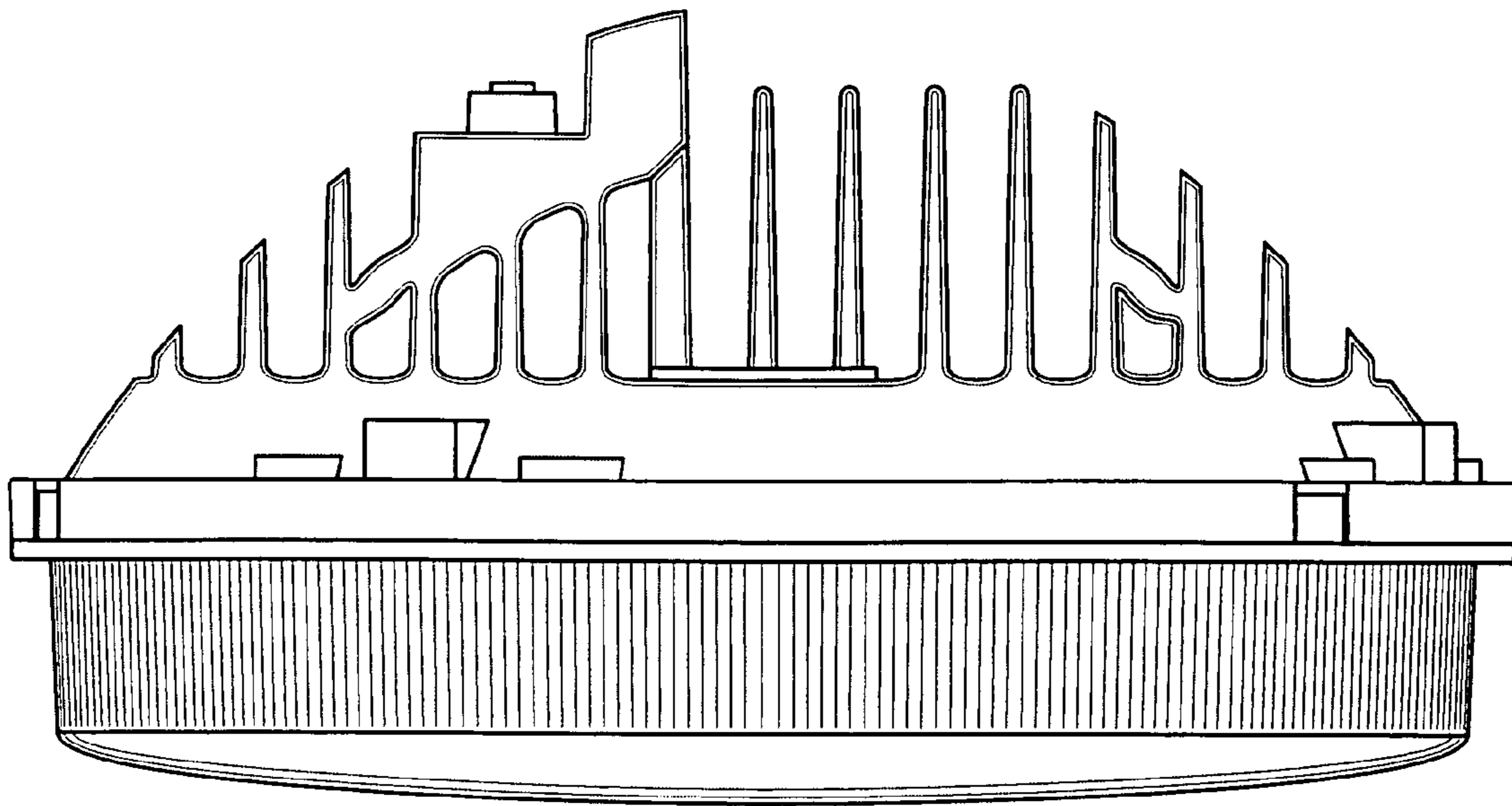


FIG. 7

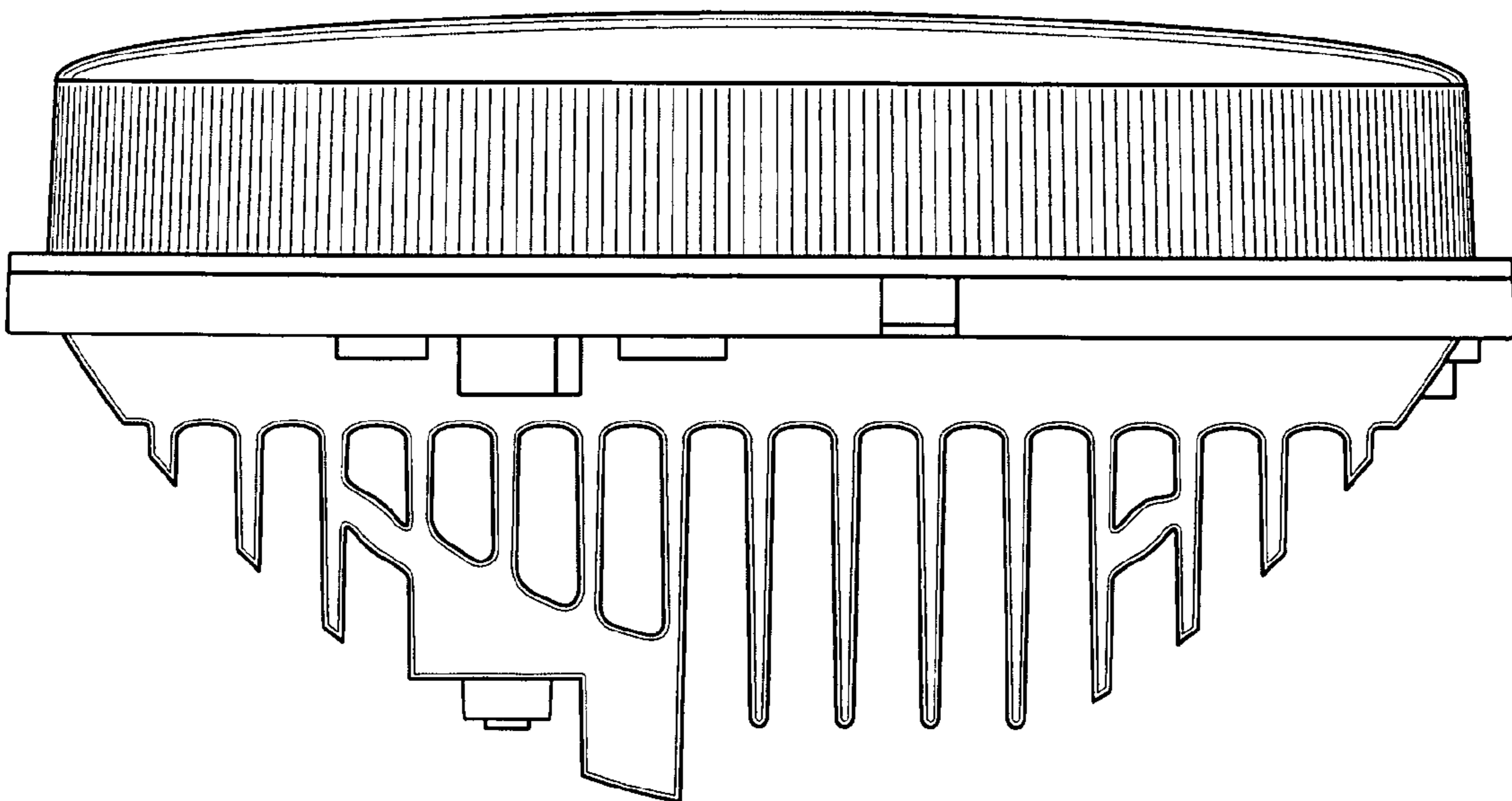


FIG. 8

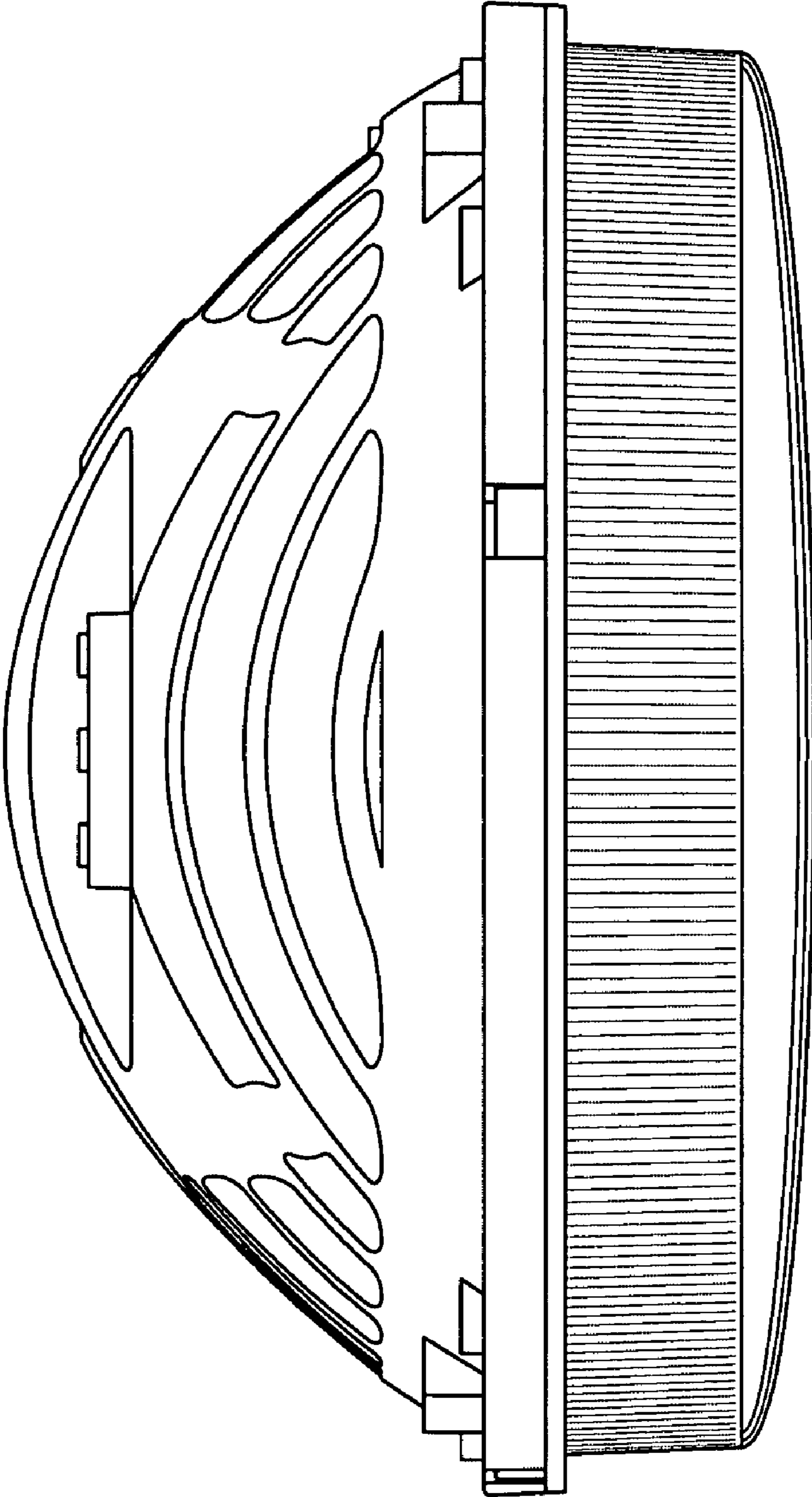


FIG. 9

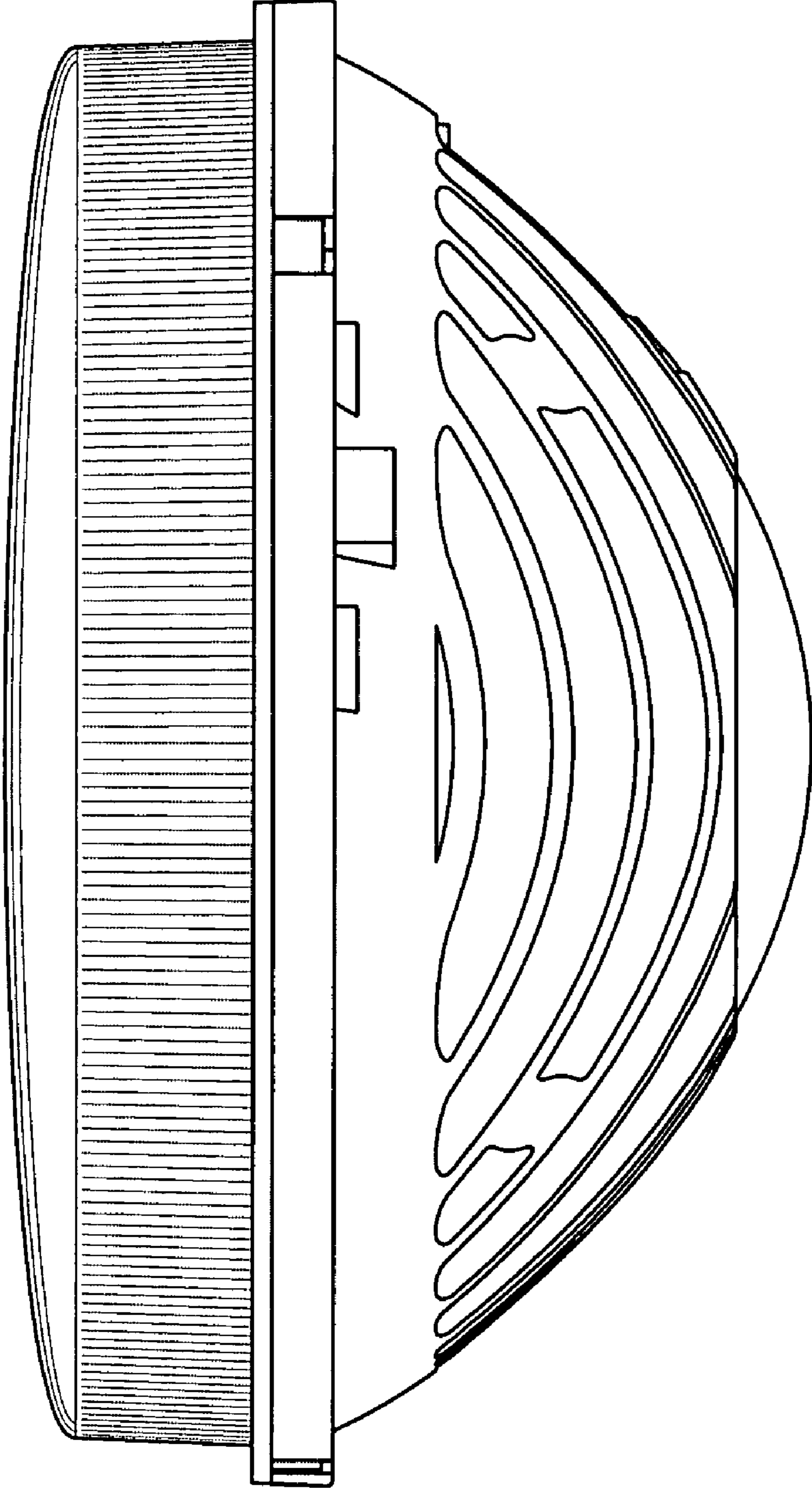


FIG. 10