



US00D586480S

(12) **United States Design Patent**
Hockemeyer et al.

(10) **Patent No.:** **US D586,480 S**

(45) **Date of Patent:** **** Feb. 10, 2009**

(54) **WALL COLUMN**

(75) Inventors: **Timothy J. Hockemeyer**, Midland, MI (US); **Kenneth Staten**, Clare, MI (US)

(73) Assignee: **Serenus Johnson Portables, LLC**, Bay City, MI (US)

(**) Term: **14 Years**

(21) Appl. No.: **29/265,478**

(22) Filed: **Aug. 31, 2006**

(51) **LOC (9) Cl.** **25-01**

(52) **U.S. Cl.** **D25/126**

(58) **Field of Classification Search** D25/199,
D25/164, 121, 126, 61; 52/48, 81.3, 167.3,
52/837, 93.1, 223.4, 243, 282.2, 649.2, 831,
52/FOR. 161

See application file for complete search history.

(56) **References Cited**

U.S. PATENT DOCUMENTS

4,125,979	A	11/1978	McLaughlin	
4,290,246	A	9/1981	Hilsey	
4,570,390	A *	2/1986	Wendt	52/36.6
4,731,964	A	3/1988	Phillips	
4,858,398	A	8/1989	Ricchini	
4,872,470	A	10/1989	Hayashida et al.	
5,072,554	A	12/1991	Hayman	
5,083,410	A	1/1992	Watson	
5,113,631	A	5/1992	diGirolamo et al.	
5,195,293	A	3/1993	diGirolamo et al.	
D336,345	S *	6/1993	Fasth et al.	D25/126
5,402,612	A	4/1995	diGirolamo et al.	
5,515,659	A	5/1996	MacDonald et al.	
5,706,624	A	1/1998	Lipson	
D394,716	S *	5/1998	Rinot et al.	D25/124
5,921,047	A	7/1999	Walker	
5,930,961	A	8/1999	Beaudet	
6,173,547	B1	1/2001	Lipson	
6,260,312	B1	7/2001	Spene et al.	
6,263,637	B1	7/2001	Spene et al.	

6,266,863	B1	7/2001	Spene et al.	
D453,045	S *	1/2002	Ohanesian	D25/124
D455,219	S *	4/2002	Ohanesian	D25/124
6,405,504	B1 *	6/2002	Richardson	52/461
6,536,147	B1	3/2003	Funk et al.	
6,557,955	B2	5/2003	Saravis	
6,598,363	B1	7/2003	Ferguson et al.	
6,601,362	B1 *	8/2003	Prince	52/844
6,694,685	B2	2/2004	Celata	
D497,211	S *	10/2004	Strassle	D25/126
6,854,218	B2	2/2005	Weiss	
6,951,079	B2	10/2005	Weiss	
6,981,347	B1	1/2006	Walburger	
7,048,346	B2	5/2006	Saravis	

* cited by examiner

Primary Examiner—Doris Clark

(74) *Attorney, Agent, or Firm*—Carlson, Gaskey & Olds PC

(57) **CLAIM**

We claim the ornamental design for the wall column, as shown and described.

DESCRIPTION

FIG. 1 is a perspective view of a shelter illustrating the position of a support columns.

FIG. 2 is a perspective view illustrating the wall column relative to a wall assembly;

FIG. 3 is an expanded perspective view of the support column adjacent a wall assembly;

FIG. 4 is a perspective view of the support column mounted to a deck system;

FIG. 5 is a top perspective view of the support column mounted adjacent the deck assembly;

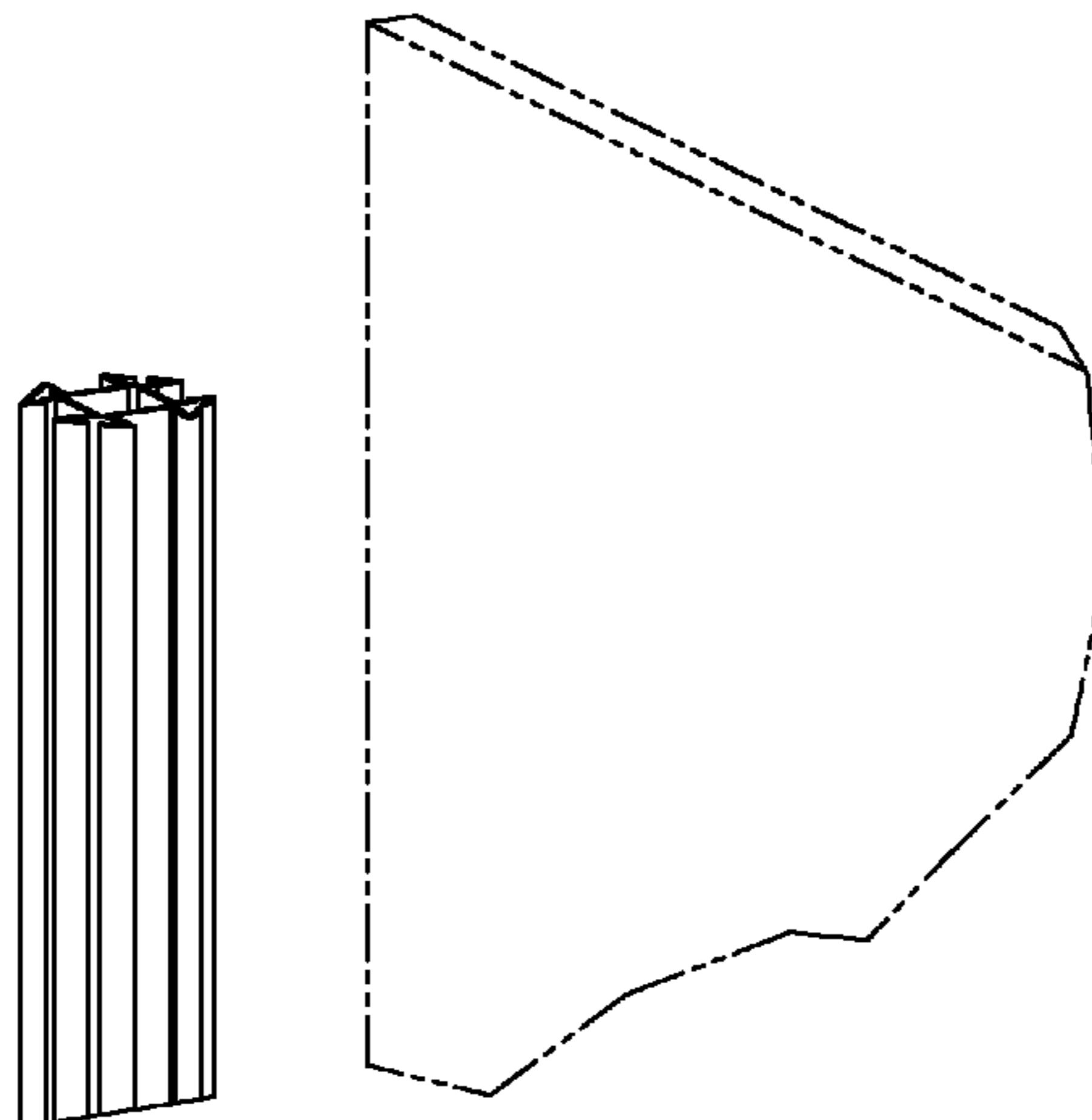
FIG. 6 is a side view of the support column;

FIG. 7 is a top view of the support column; and,

FIG. 8 is a bottom view of the support column.

The broken lines are for illustrative purposes only and form no part of the claimed design.

1 Claim, 3 Drawing Sheets



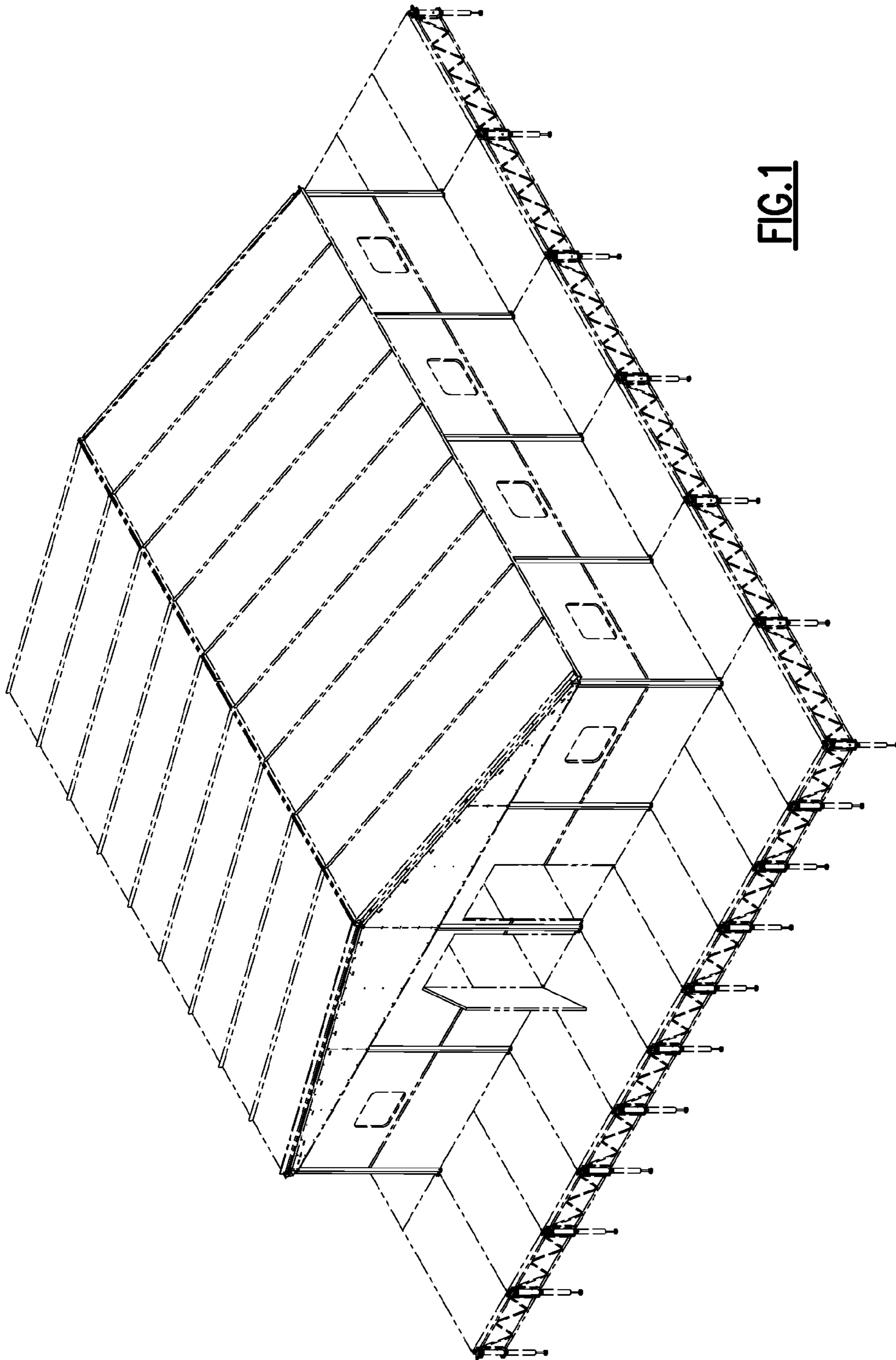


FIG. 1

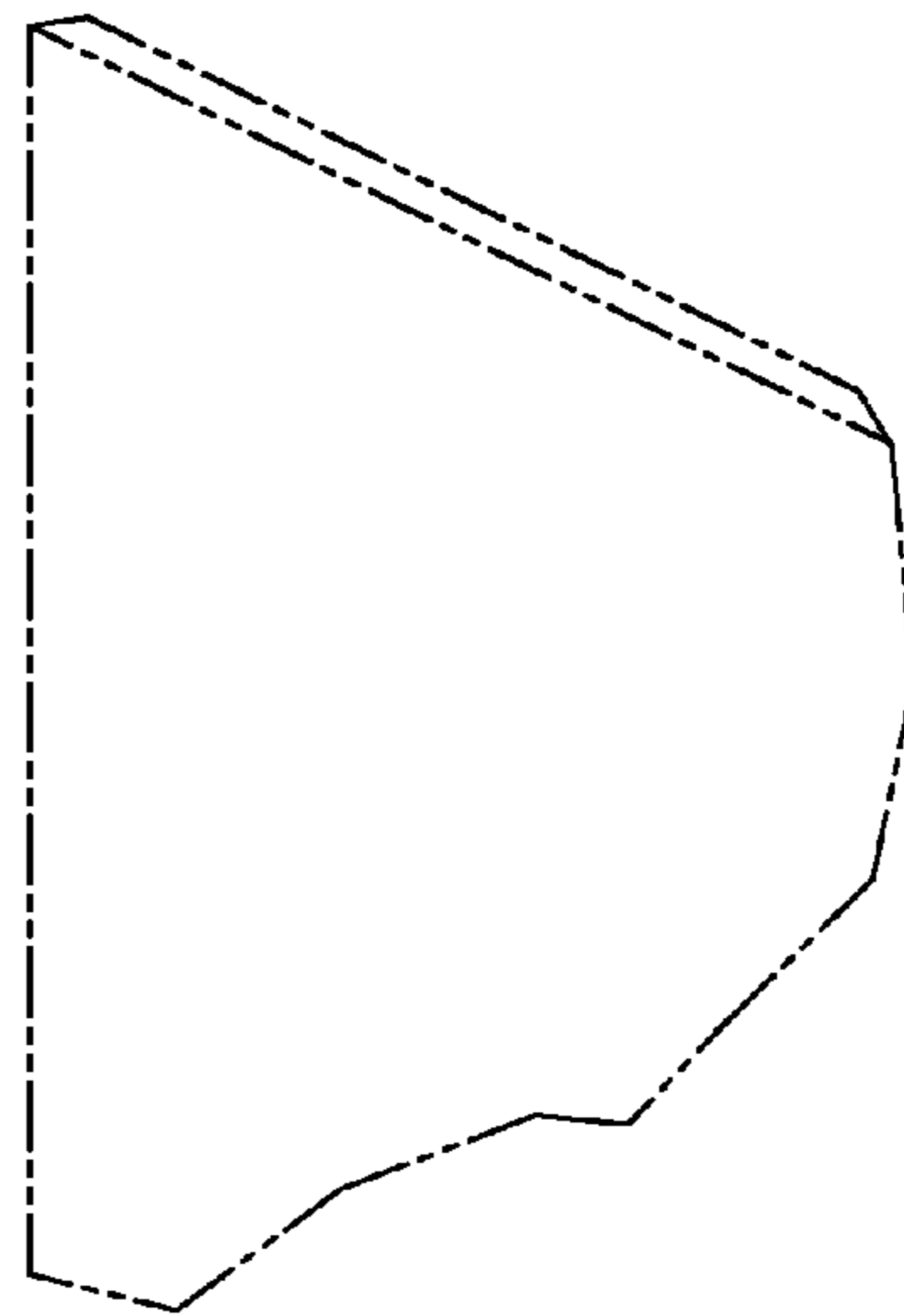
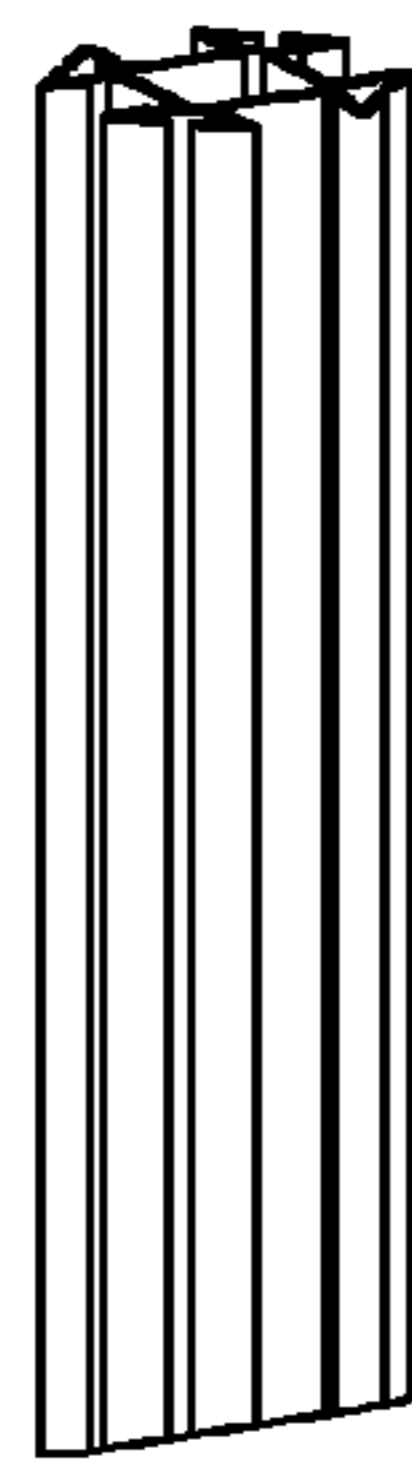
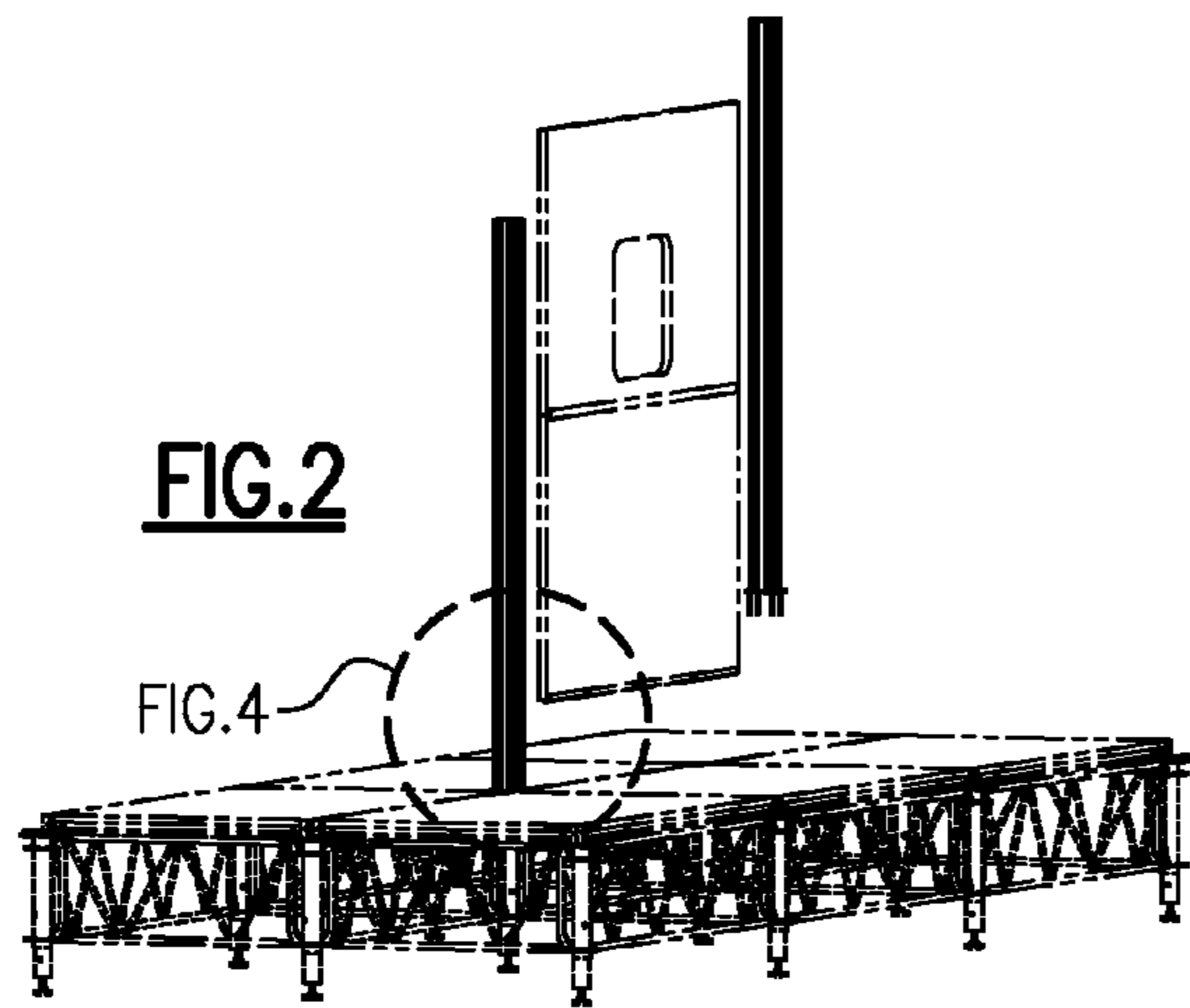
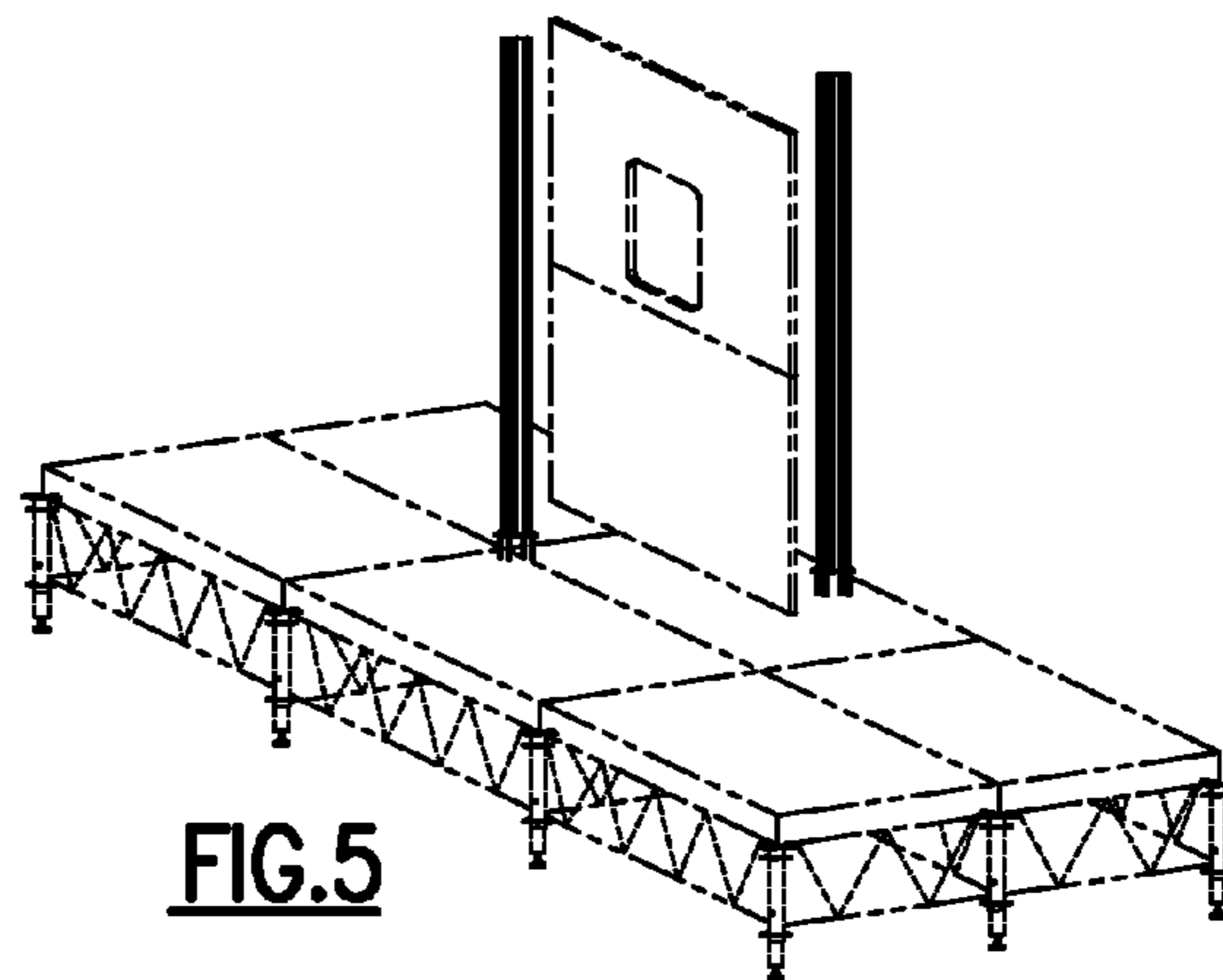
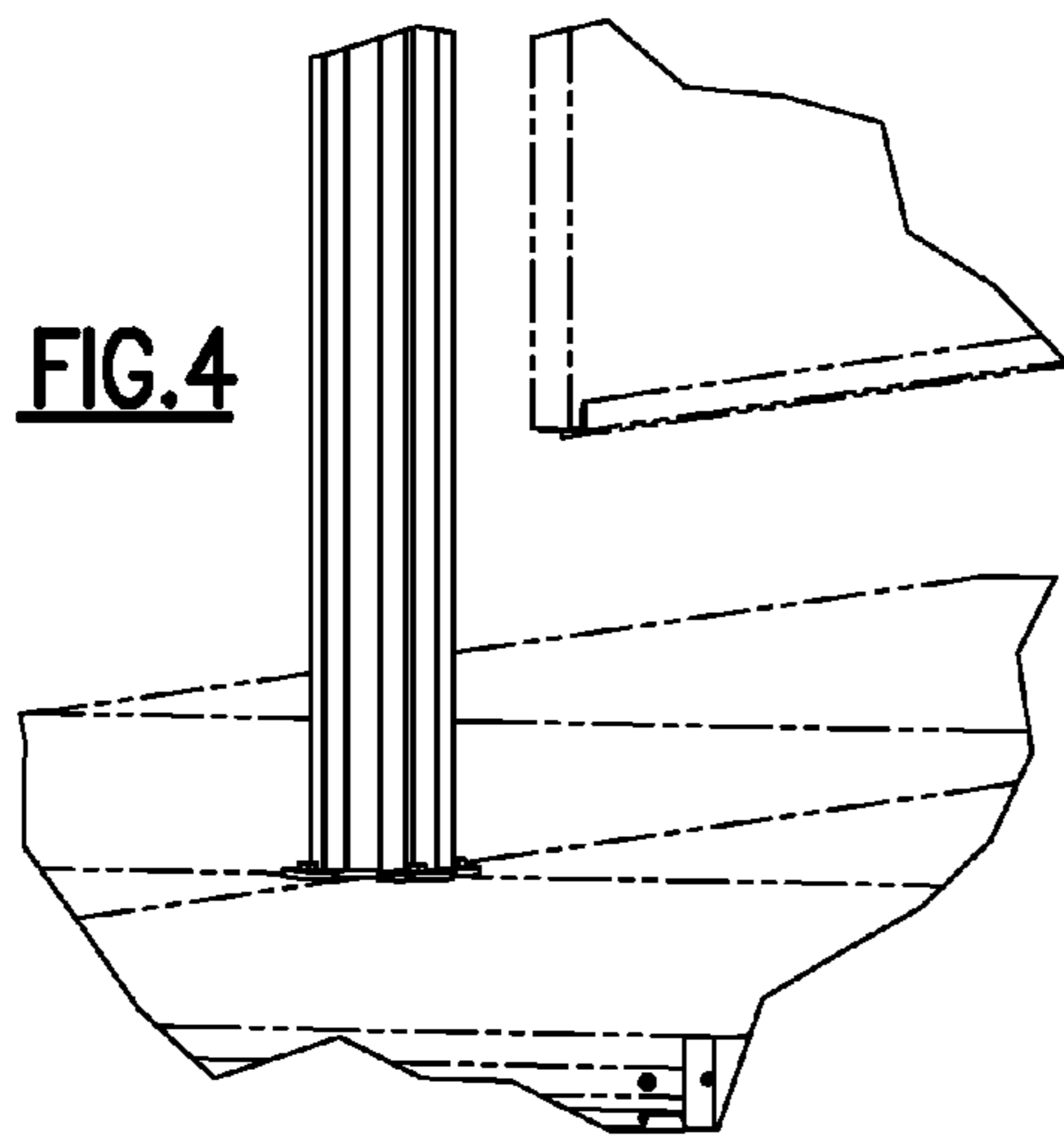


FIG. 3



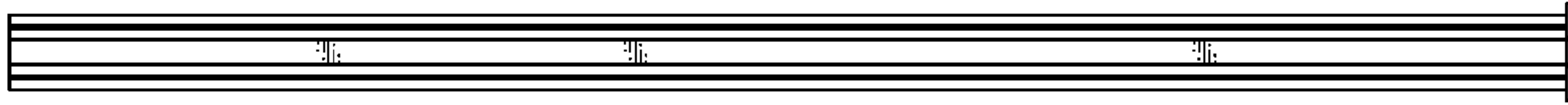


FIG. 6

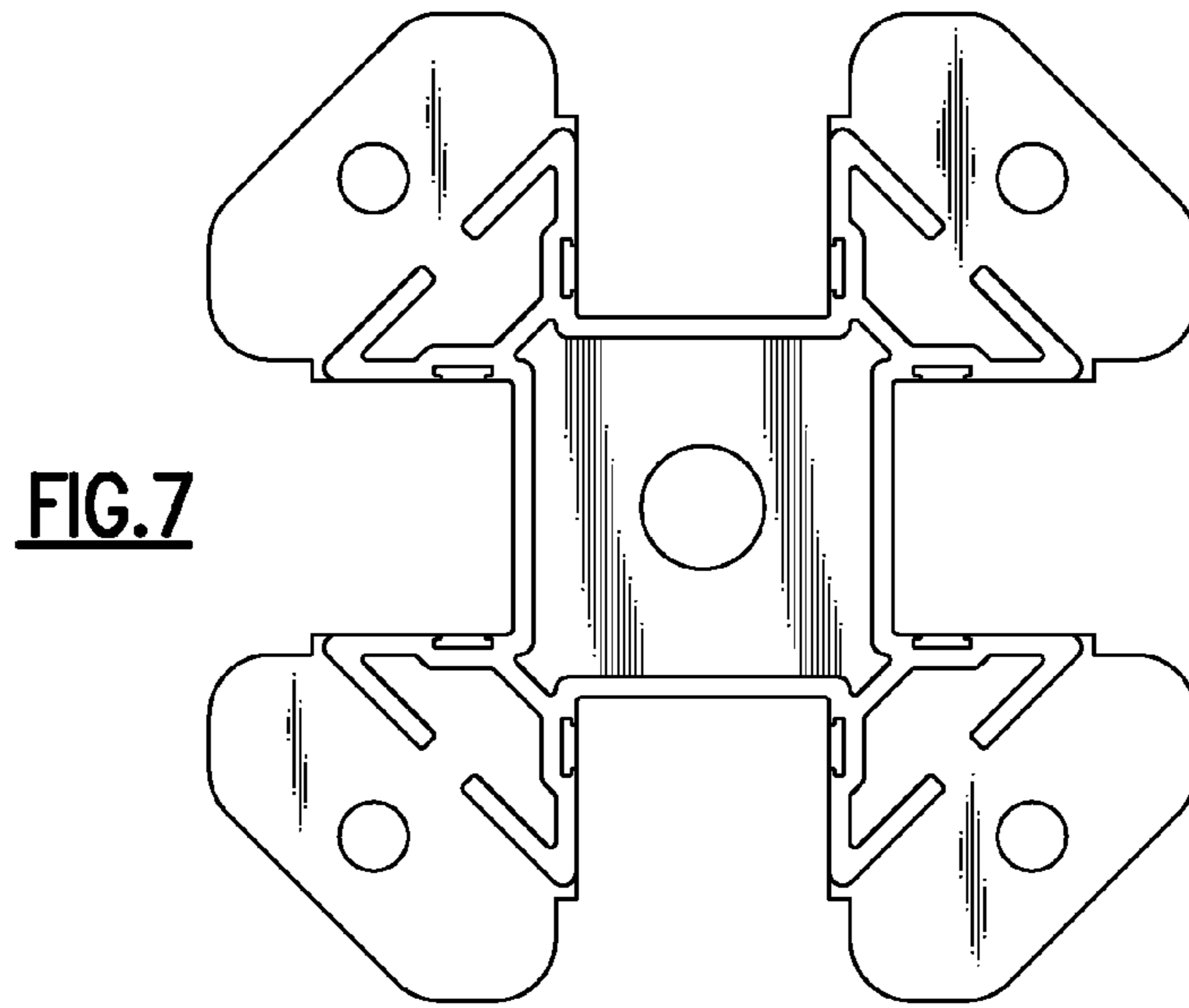


FIG. 7

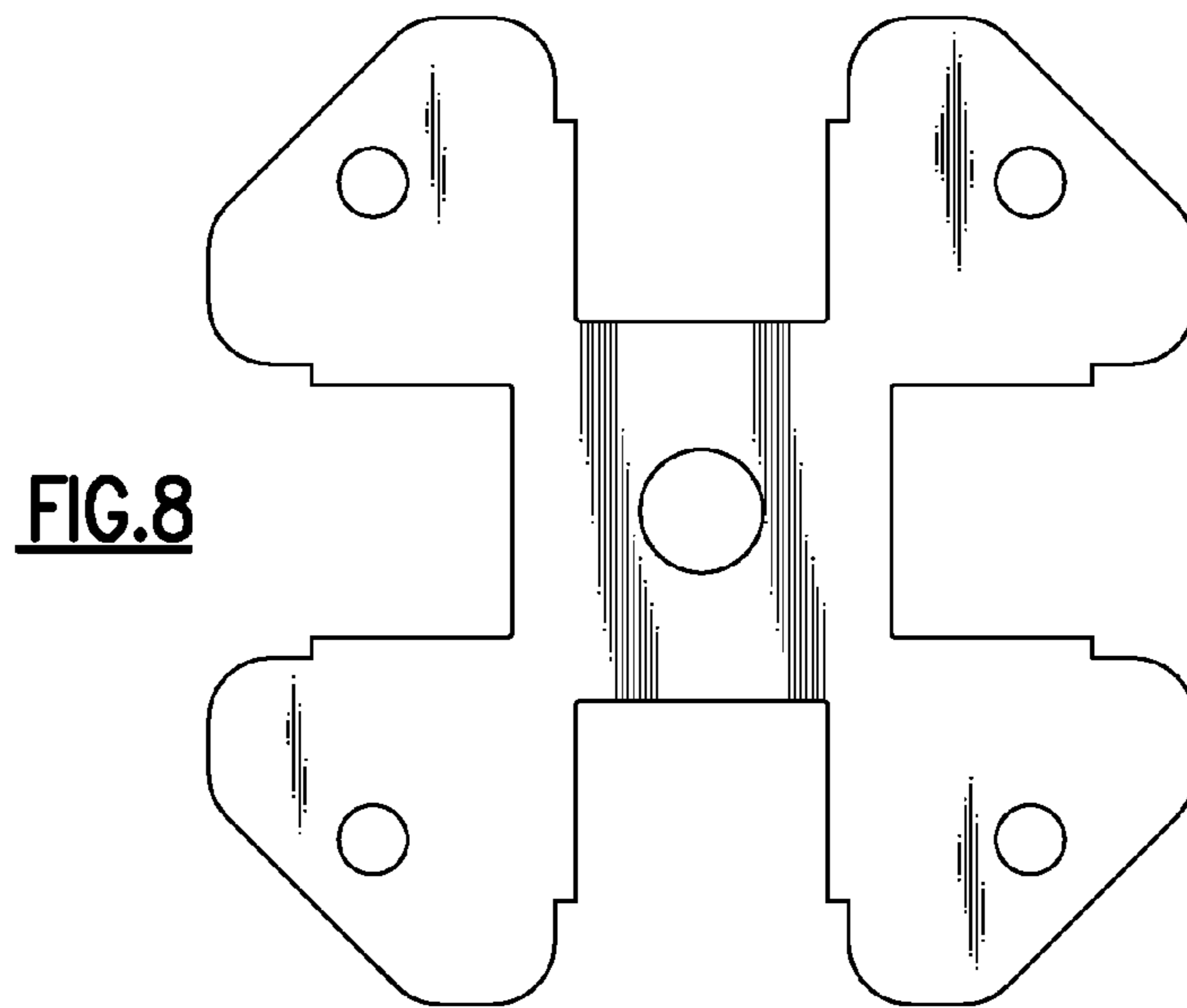


FIG. 8

UNITED STATES PATENT AND TRADEMARK OFFICE
CERTIFICATE OF CORRECTION

PATENT NO. : Des. 586,480 S
APPLICATION NO. : 29/265478
DATED : February 10, 2009
INVENTOR(S) : Hockemeyer et al.

Page 1 of 1

It is certified that error appears in the above-identified patent and that said Letters Patent is hereby corrected as shown below:

ON THE TITLE PAGE; item

(57) CLAIM should read as follows:

We claim the ornamental design for a wall column, as shown and described.

Signed and Sealed this

Fifth Day of May, 2009



JOHN DOLL
Acting Director of the United States Patent and Trademark Office