



US00D586479S

(12) **United States Design Patent**  
**Hockemeyer et al.**

(10) **Patent No.:** **US D586,479 S**  
(45) **Date of Patent:** **\*\* Feb. 10, 2009**

(54) **INTERMEDIATE PURLIN**  
(75) Inventors: **Timothy J. Hockemeyer**, Midland, MI (US); **Kenneth Staten**, Clare, MI (US)  
(73) Assignee: **Serenus Johnson Portables, LLC**, Bay City, MI (US)  
(\*\*) Term: **14 Years**  
(21) Appl. No.: **29/265,472**  
(22) Filed: **Aug. 31, 2006**  
(51) **LOC (9) Cl.** ..... **25-01**  
(52) **U.S. Cl.** ..... **D25/126**  
(58) **Field of Classification Search** ..... D25/199, D25/164, 121, 126, 61; 52/48, 81.3, 167.3, 52/837

5,930,961 A 8/1999 Beaudet  
5,930,966 A \* 8/1999 Wood et al. .... 52/364  
6,092,340 A \* 7/2000 Simmons ..... 52/92.1  
6,173,547 B1 1/2001 Lipson  
6,260,312 B1 7/2001 Spene et al.  
6,263,637 B1 7/2001 Spene et al.  
6,266,863 B1 7/2001 Spene et al.  
D455,219 S \* 4/2002 Ohanesian ..... D25/124  
6,405,504 B1 \* 6/2002 Richardson ..... 52/461  
6,536,147 B1 3/2003 Funk et al.  
6,557,955 B2 5/2003 Saravis  
6,598,363 B1 7/2003 Ferguson et al.  
6,601,362 B1 \* 8/2003 Prince ..... 52/844  
6,694,685 B2 2/2004 Celata  
6,826,885 B2 \* 12/2004 Raskin et al. .... 52/844  
6,854,218 B2 2/2005 Weiss  
6,951,079 B2 10/2005 Weiss  
6,981,347 B1 1/2006 Walburger  
7,048,346 B2 5/2006 Saravis

See application file for complete search history.

\* cited by examiner

*Primary Examiner*—Doris Clark  
(74) *Attorney, Agent, or Firm*—Carlson, Gaskey & Olds PC

(56) **References Cited**

U.S. PATENT DOCUMENTS

3,478,474 A \* 11/1969 Johansson ..... 52/11  
3,488,902 A \* 1/1970 Gobel ..... 52/94  
4,125,979 A 11/1978 McLaughlin  
4,290,246 A 9/1981 Hilsey  
4,731,964 A 3/1988 Phillips  
D300,371 S \* 3/1989 Hansen ..... D25/126  
4,858,398 A 8/1989 Ricchini  
4,872,470 A 10/1989 Hayashida et al.  
5,072,554 A 12/1991 Hayman  
5,083,410 A 1/1992 Watson  
5,113,631 A 5/1992 diGirolamo et al.  
5,195,293 A 3/1993 diGirolamo et al.  
D336,345 S \* 6/1993 Fasth et al. .... D25/126  
5,402,612 A 4/1995 diGirolamo et al.  
5,469,683 A \* 11/1995 McKenna et al. .... 52/204.591  
5,515,659 A 5/1996 MacDonald et al.  
5,706,624 A 1/1998 Lipson  
5,921,047 A 7/1999 Walker

(57) **CLAIM**

I claim the ornamental design for a intermediate purlin, as shown and described.

**DESCRIPTION**

FIG. 1 is a perspective view of a shelter illustrating the location of a intermediate purlin;

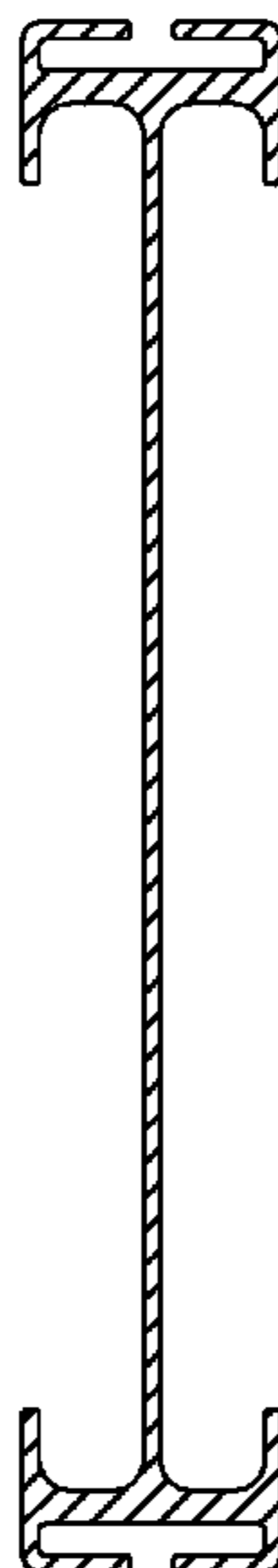
FIG. 2 is a perspective view of a single intermediate purlin;

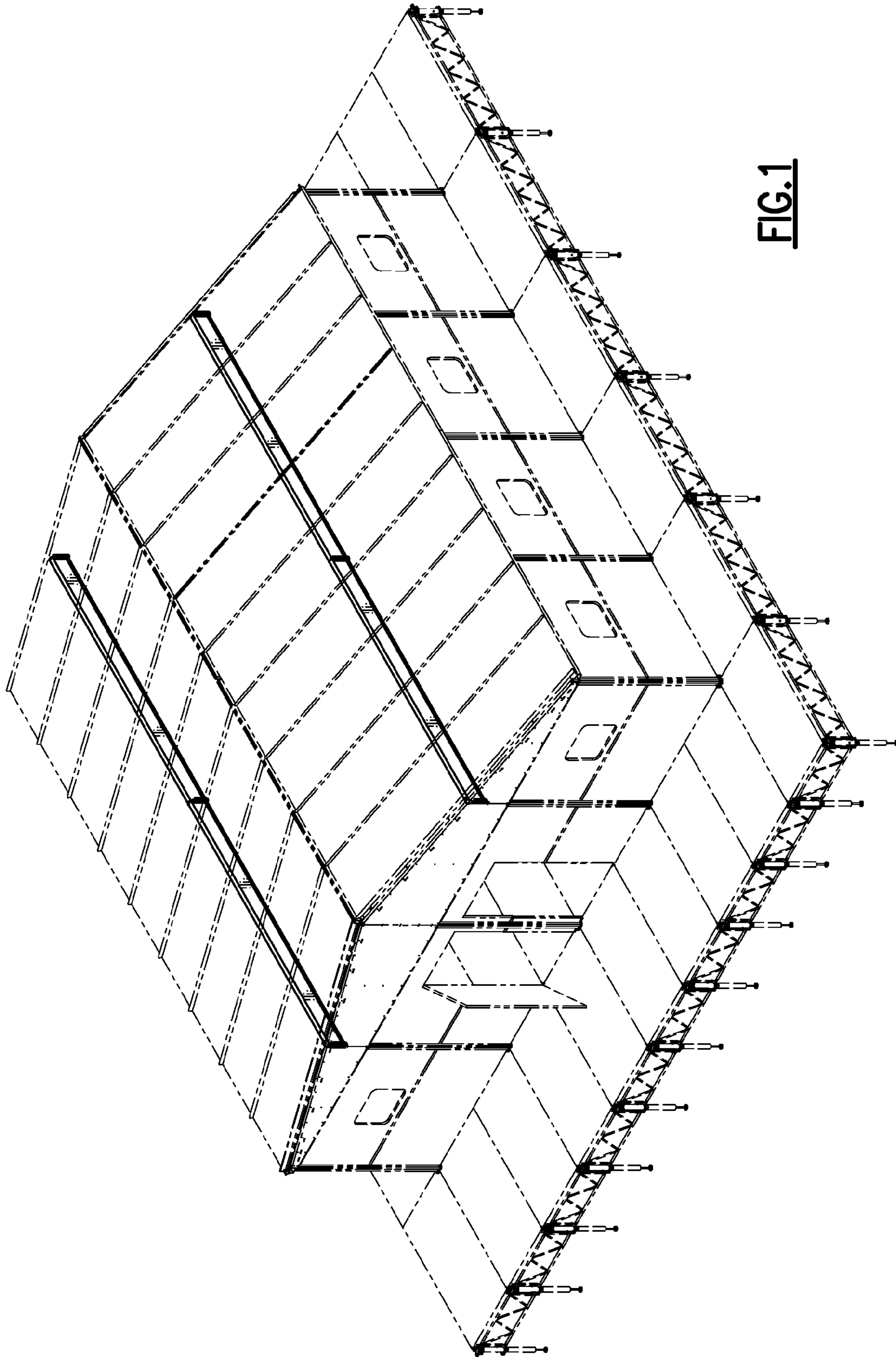
FIG. 3 is a side view of an intermediate purlin; and,

FIG. 4 is a cross sectional view of the intermediate purlin taken along line 4—4 in FIG. 3.

The broken lines are for illustrative purposes only and form no part of the claimed design.

**1 Claim, 2 Drawing Sheets**





**FIG.1**

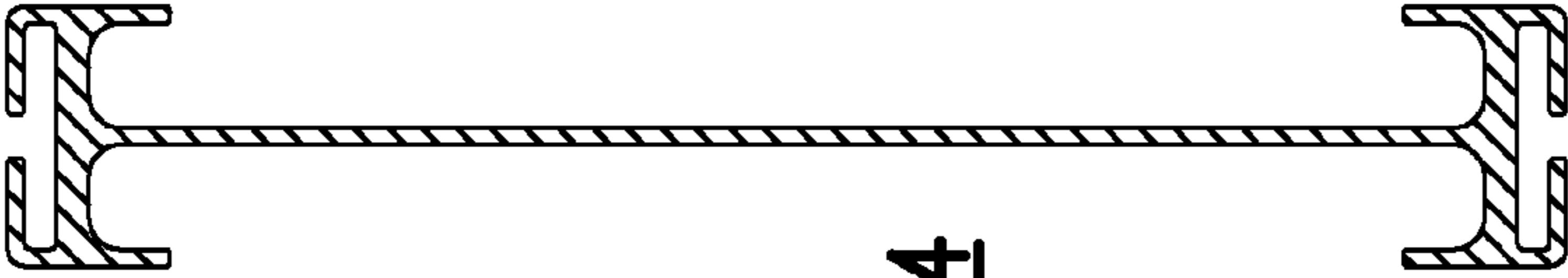


FIG. 4

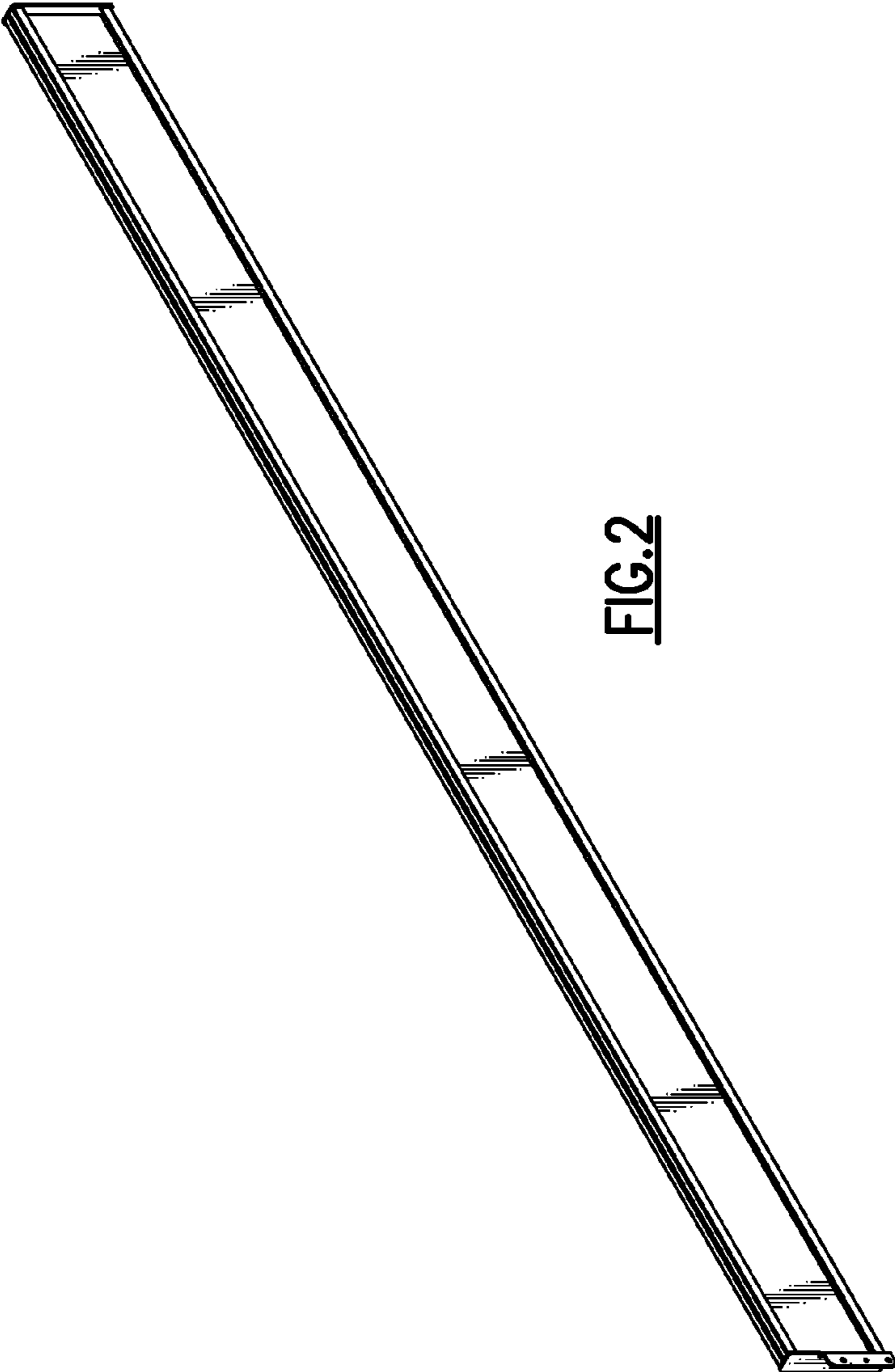


FIG. 2



FIG. 3