



US00D586476S

(12) **United States Design Patent**
Billeck

(10) **Patent No.:** **US D586,476 S**

(45) **Date of Patent:** **** Feb. 10, 2009**

(54) **CAPACITY INDICATOR WINDOW**

(76) **Inventor:** **Paul H. Billeck**, 403 N. West St.,
Weimar, TX (US) 78962

(**) **Term:** **14 Years**

(21) **Appl. No.:** **29/280,646**

(22) **Filed:** **Jun. 4, 2007**

(51) **LOC (9) Cl.** **25-02**

(52) **U.S. Cl.** **D25/52**

(58) **Field of Classification Search** D25/52;
49/504; 52/80.1, 223.3, 206

See application file for complete search history.

(56) **References Cited**

U.S. PATENT DOCUMENTS

2,854,705	A *	10/1958	McClaran	52/206
4,112,645	A *	9/1978	Greenfield	52/209
D273,518	S *	4/1984	Moore, Jr.	D25/52
D394,714	S *	5/1998	Plummer	D25/52
6,925,767	B2 *	8/2005	Krochmal et al.	52/455

* cited by examiner

Primary Examiner—Doris Clark

(74) *Attorney, Agent, or Firm*—Dale J. Ream

(57) **CLAIM**

The ornamental design for a capacity indicator window, as shown and described.

DESCRIPTION

FIG. 1 is a perspective view of a capacity indicator window showing my new design;

FIG. 2 is a front view thereof;

FIG. 3 is a back view thereof;

FIG. 4 is a right side view thereof;

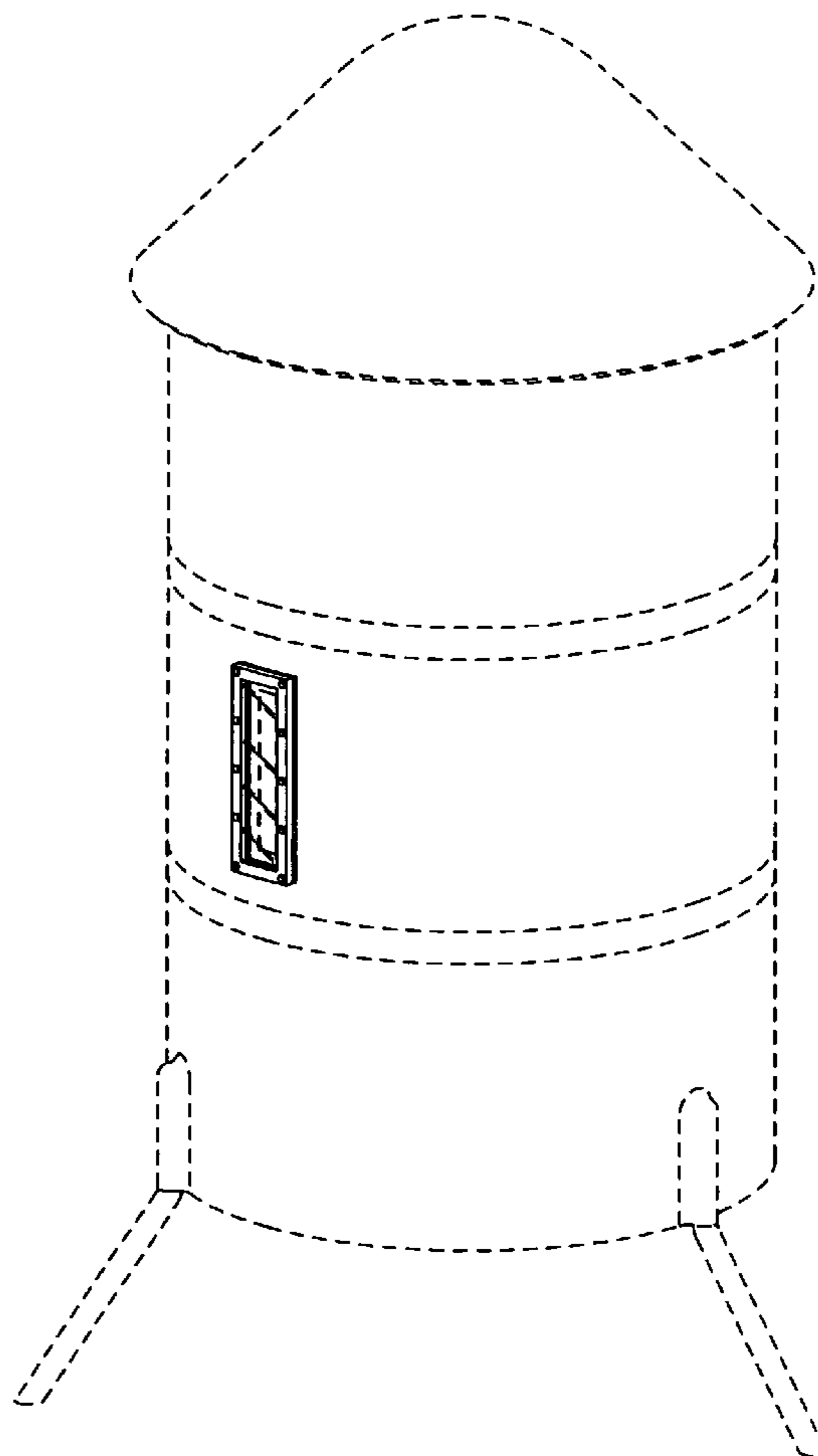
FIG. 5 is a left side view thereof;

FIG. 6 is a top view thereof; and,

FIG. 7 is a bottom view thereof.

The broken lines are for illustrative purposes only and form no part of the claimed design.

1 Claim, 3 Drawing Sheets



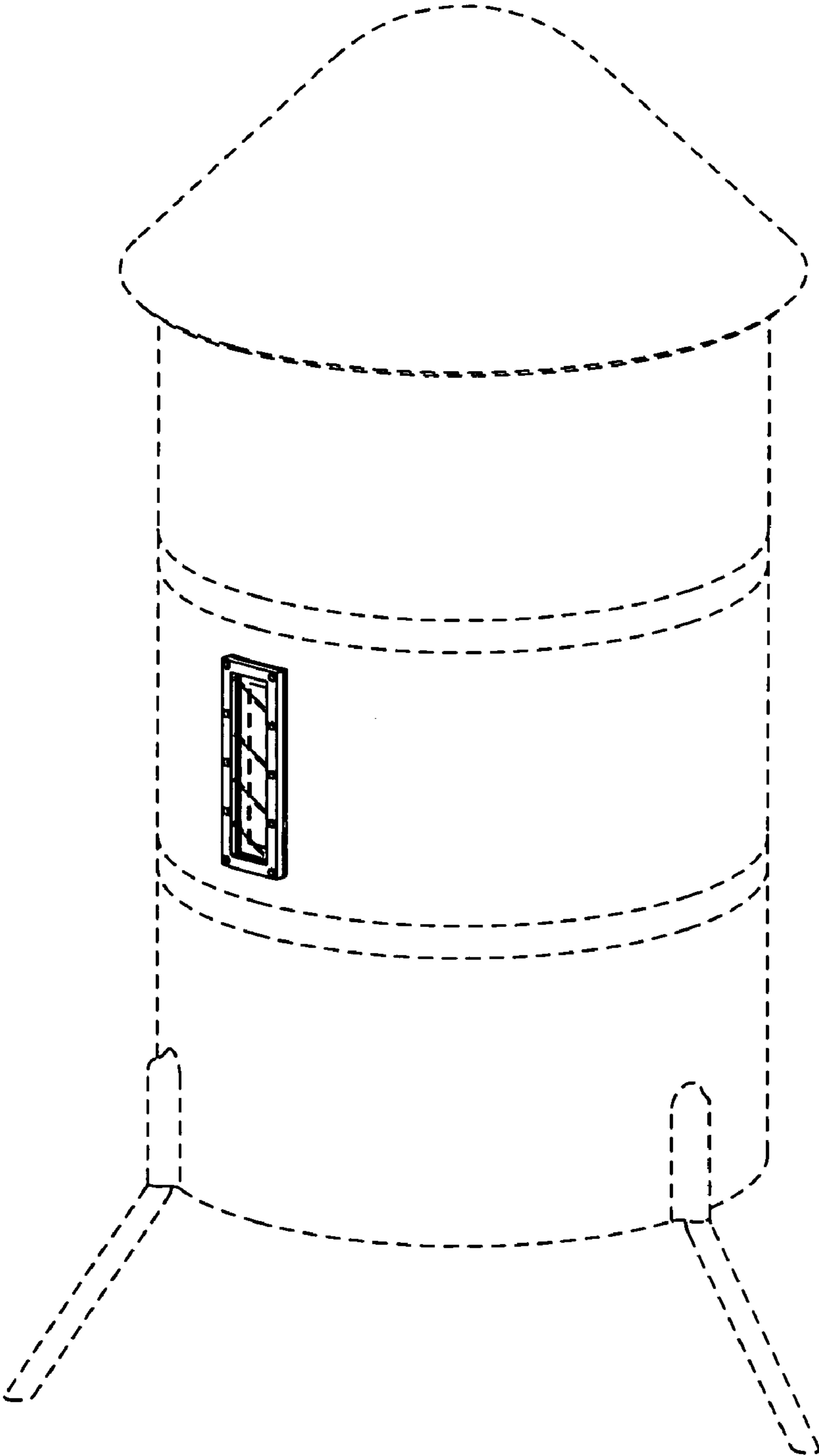


FIG. 1

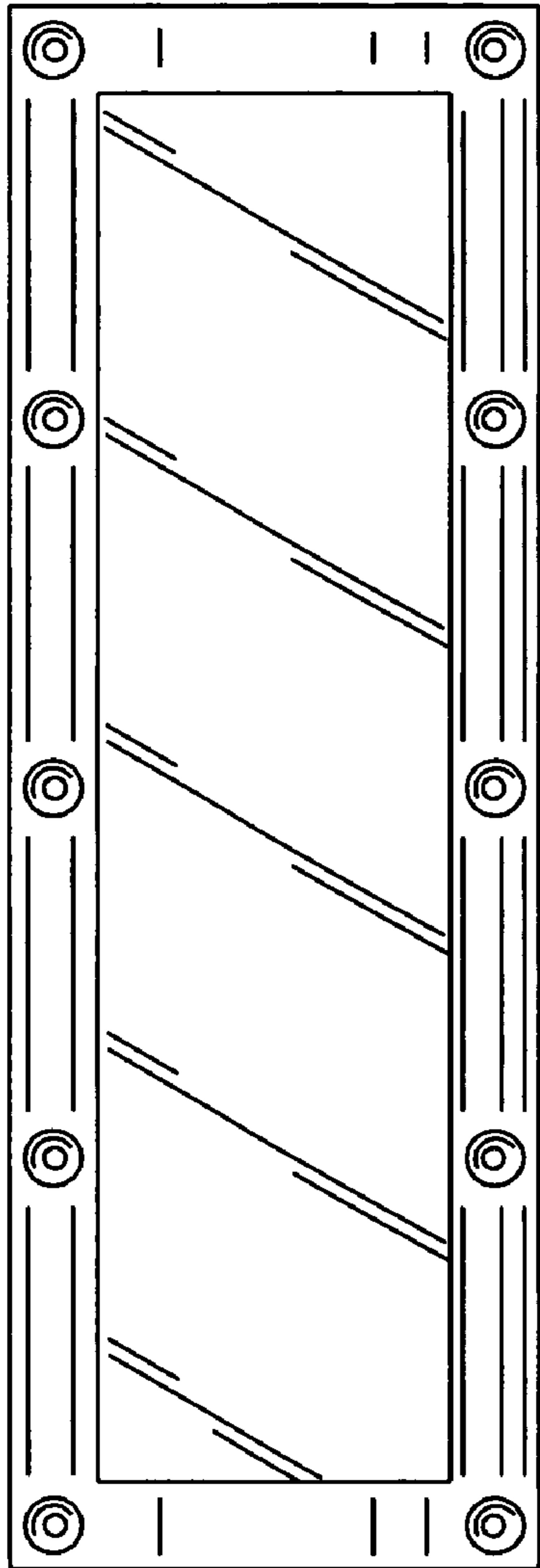


FIG. 2

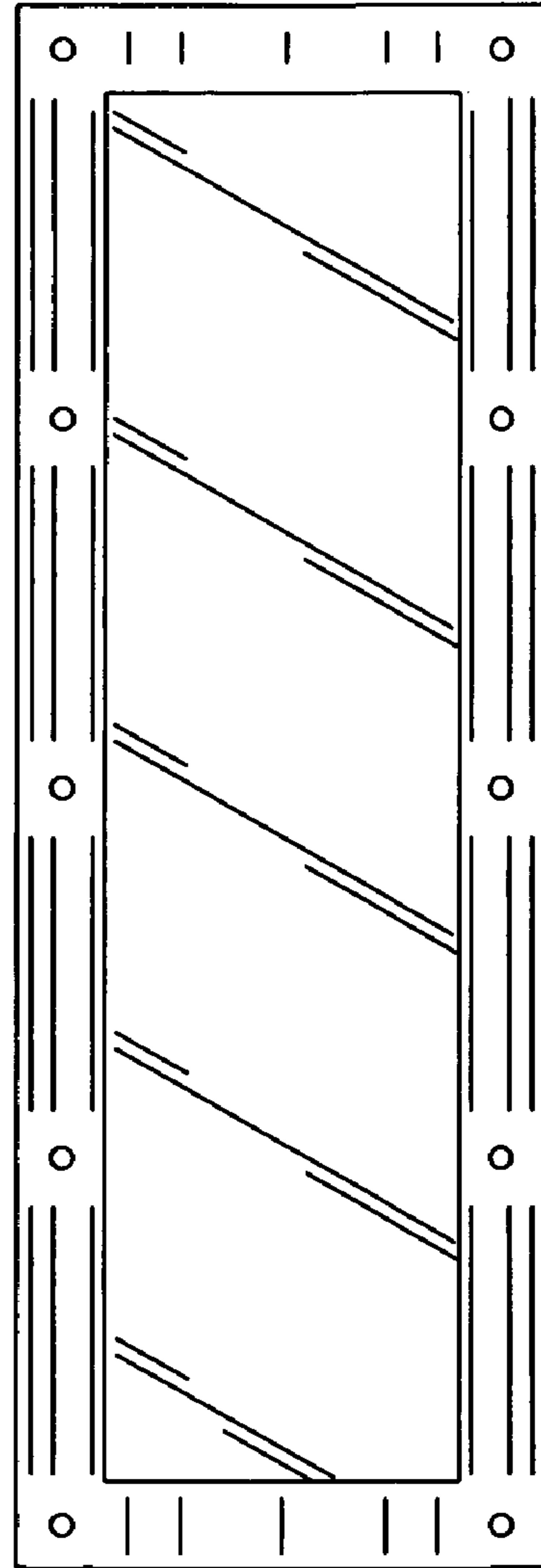


FIG. 3



FIG. 4



FIG. 5

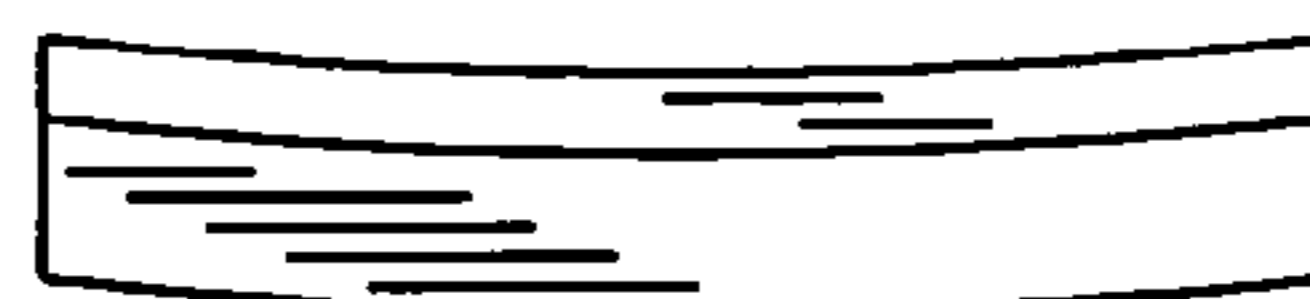


FIG. 6

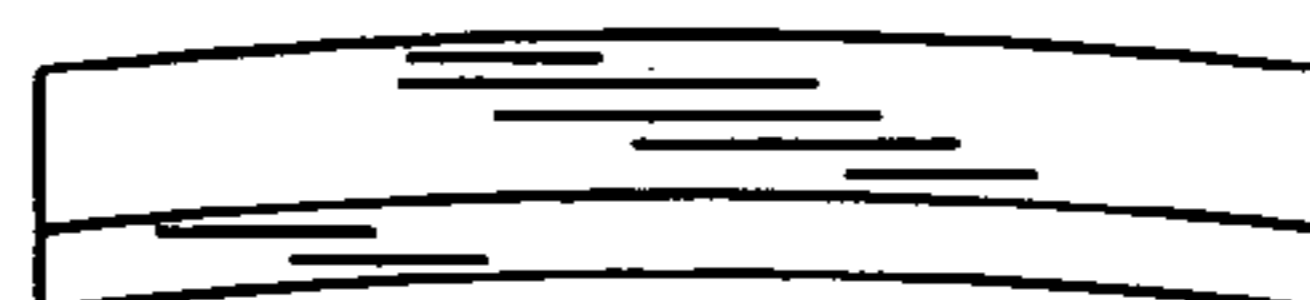


FIG. 7