



US00D586474S

(12) **United States Design Patent**  
**Tsay et al.**

(10) **Patent No.:** **US D586,474 S**  
(45) **Date of Patent:** **\*\* Feb. 10, 2009**

(54) **LAVATORY DOOR**

(75) Inventors: **Michael Tsay**, Irvine, CA (US);  
**Yasuyaki Hayashi**, Yokohama (JP)

(73) Assignee: **Honda Motor Co., Ltd.**, Tokyo (JP)

(\*\*) Term: **14 Years**

(21) Appl. No.: **29/295,079**

(22) Filed: **Sep. 21, 2007**

(51) **LOC (9) Cl.** ..... **25-02**

(52) **U.S. Cl.** ..... **D25/48**

(58) **Field of Classification Search** ..... D25/48;  
4/662, 449, 476; D23/270; 52/79.1  
See application file for complete search history.

(56) **References Cited**

**U.S. PATENT DOCUMENTS**

D220,873 S \* 6/1971 Kelly et al. .... D25/16  
4,380,836 A \* 4/1983 Braxton ..... 4/460

D288,718 S \* 3/1987 Juaire et al. .... D25/48  
5,093,941 A \* 3/1992 Muller ..... 4/479  
5,398,465 A \* 3/1995 Tagg ..... 52/79.1

\* cited by examiner

*Primary Examiner*—Doris Clark

(74) *Attorney, Agent, or Firm*—Plumsea Law Group, LLC;  
Mark E. Duell

(57) **CLAIM**

The ornamental design for a lavatory door, as shown and described.

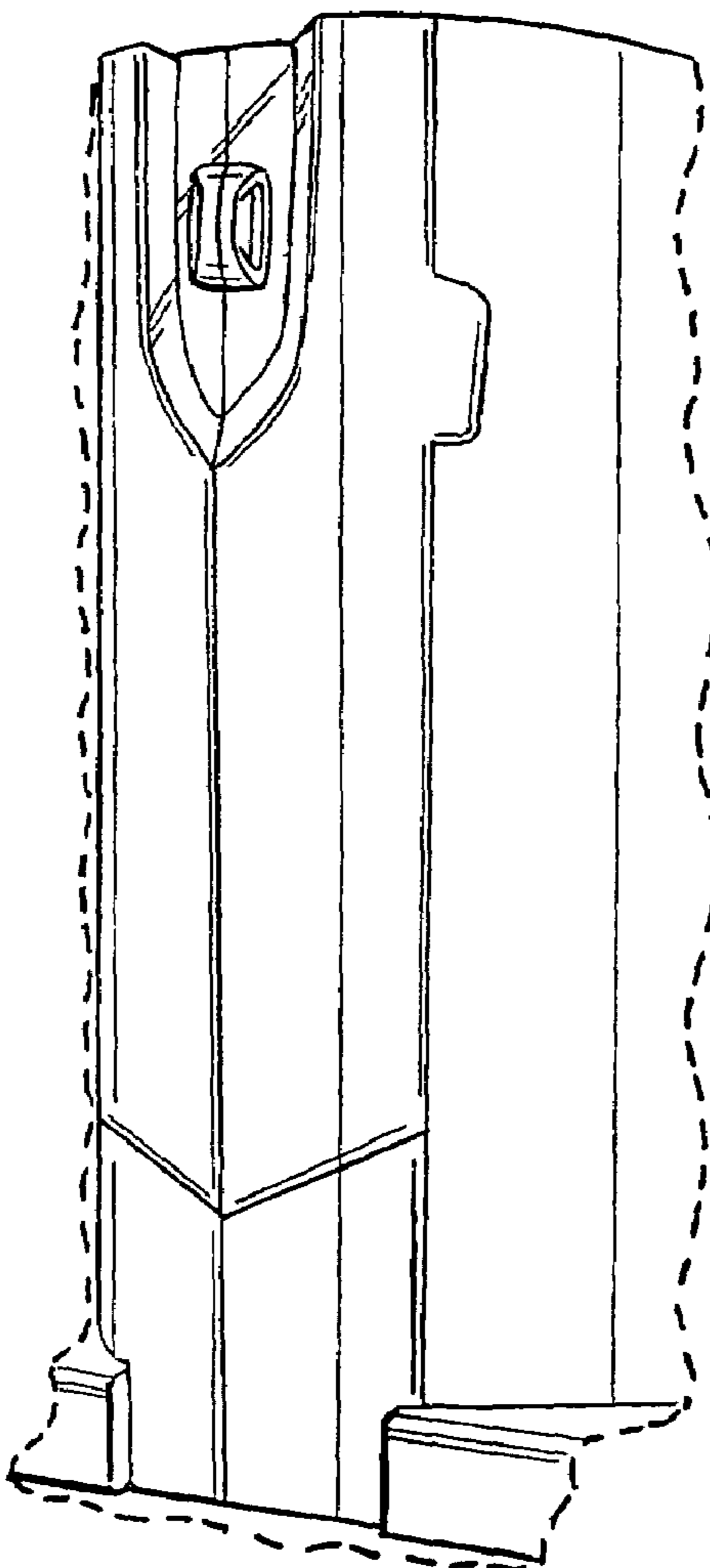
**DESCRIPTION**

FIG. 1 is an elevational view of a lavatory door showing our new design; and,

FIG. 2 is a perspective view thereof.

The dark broken line denotes a boundary of the claimed invention and forms no part of the claimed design.

**1 Claim, 1 Drawing Sheet**



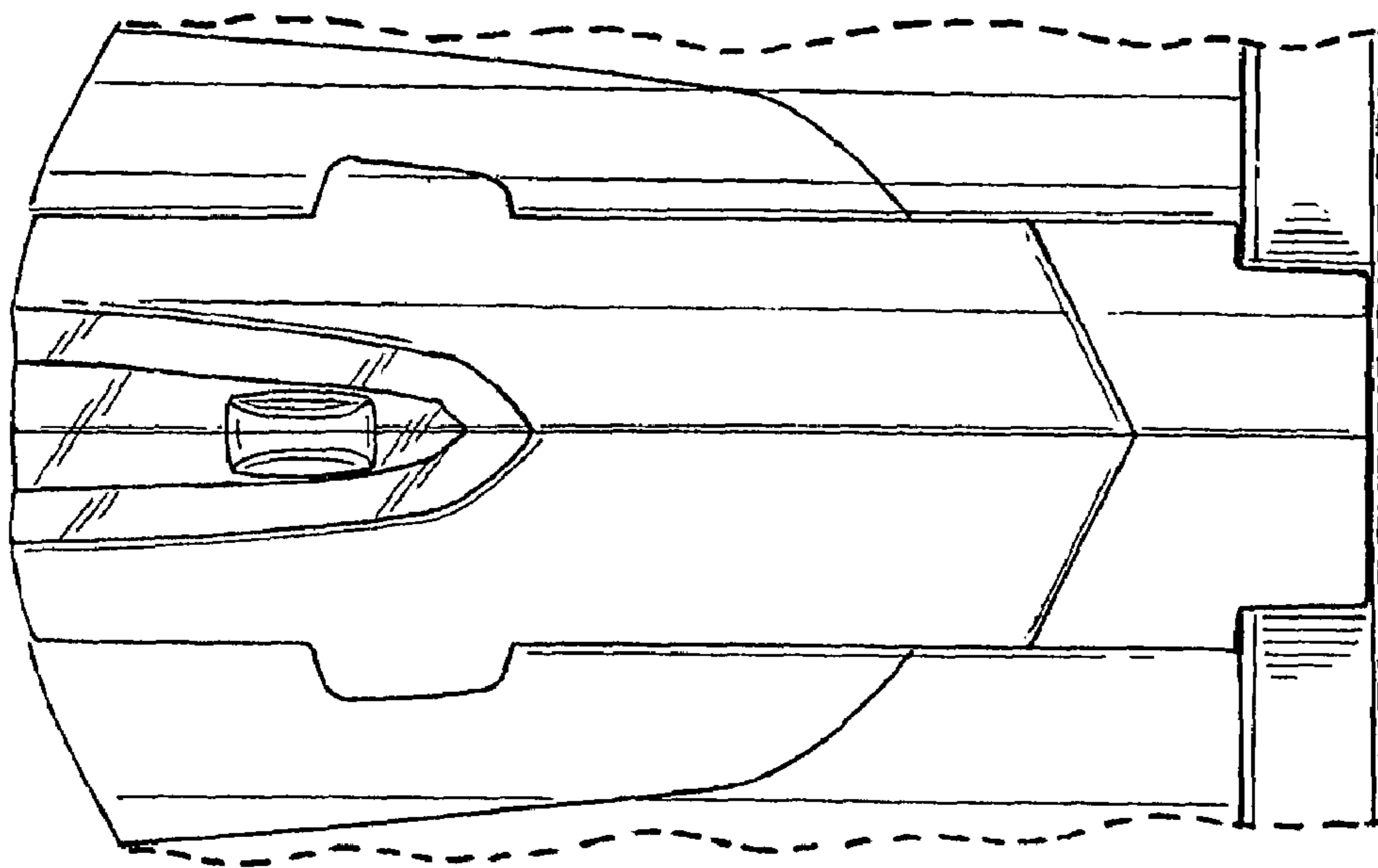


FIG. 1

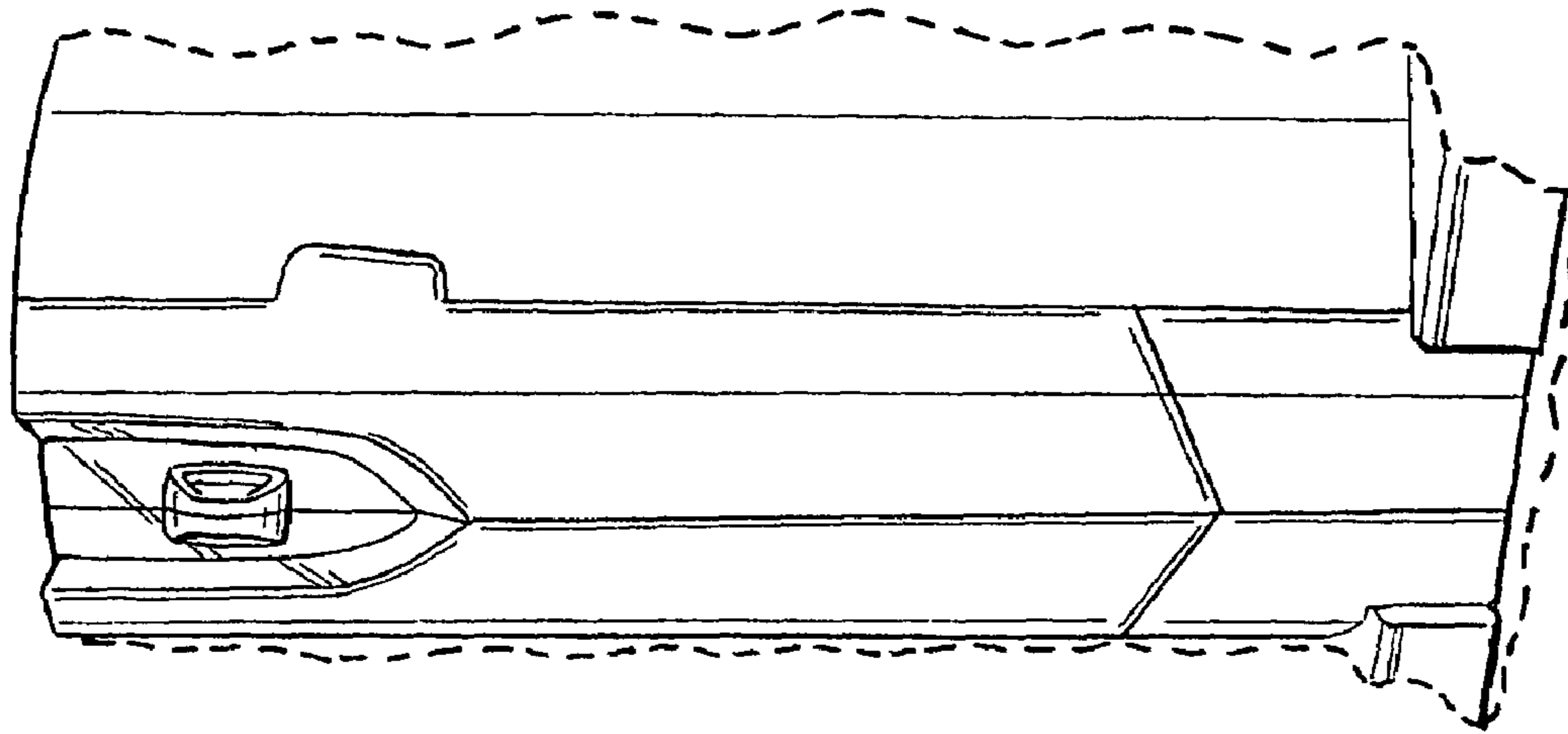


FIG. 2

UNITED STATES PATENT AND TRADEMARK OFFICE  
**CERTIFICATE OF CORRECTION**

PATENT NO. : Des. 586,474 S  
APPLICATION NO. : 29/295079  
DATED : February 10, 2009  
INVENTOR(S) : Michael Tsay et al.

Page 1 of 1

It is certified that error appears in the above-identified patent and that said Letters Patent is hereby corrected as shown below:

On Title Page,

Item (75) Inventors: Replace "Yasuyaki" with --Yasuyuki--

Signed and Sealed this

Twelfth Day of May, 2009



JOHN DOLL

*Acting Director of the United States Patent and Trademark Office*