



US00D586473S

(12) **United States Design Patent**
Copeland

(10) **Patent No.:** **US D586,473 S**

(45) **Date of Patent:** **** Feb. 10, 2009**

(54) **INSULATED ATTIC ACCESS COVER
FOLDING STAIRWAY**

6,601,352 B1 * 8/2003 Obermeyer et al. 52/202
7,089,704 B2 * 8/2006 Jejina et al. 52/19
7,337,584 B2 * 3/2008 Viens 52/20

(76) **Inventor:** **Jerry Lee Copeland**, 608 S. Forest La.,
Belmont, NC (US) 28012

(**) **Term:** **14 Years**

(21) **Appl. No.:** **29/243,861**

(22) **Filed:** **Dec. 1, 2005**

(51) **LOC (9) Cl.** **25-02**

(52) **U.S. Cl.** **D25/48**

(58) **Field of Classification Search** D25/138,
D25/199, 48-69; 52/19-20, 72, 186, 202,
52/203, 204.1, 204.2, 205, 207, 404.1, 407.1,
52/407.3, 407.4

See application file for complete search history.

(56) **References Cited**

U.S. PATENT DOCUMENTS

4,281,743 A	8/1981	Fuller	
4,312,423 A	1/1982	Helbig	
4,337,602 A	7/1982	King	
4,344,505 A	8/1982	Waters et al.	
4,658,555 A	4/1987	Steiner	
5,220,757 A	6/1993	Hulligan	
5,271,198 A	12/1993	Freeman	
D348,316 S *	6/1994	Malmanger et al.	D25/48
5,368,085 A	11/1994	Ruparelia	
5,475,955 A	12/1995	Dickinson	
5,481,833 A	1/1996	Williams	
5,628,151 A	5/1997	Monat	
6,014,841 A *	1/2000	McCoy et al.	52/19
RE36,975 E	12/2000	Williams	

OTHER PUBLICATIONS

Web-site Advertisement for the Attic Tent products. www.atticent.com.

Article in the Crescent Conductor, Mar. 1997, concerning the Attic Tent products.

Advertisement Handout for Attic Tent products.

* cited by examiner

Primary Examiner—Catherine R Oliver

(57) **CLAIM**

The ornamental design for an insulated attic access cover folding stairway, as shown and described.

DESCRIPTION

FIG. 1 is a perspective view of the invented insulated attic access cover folding stairway, showing my new design as installed in an attic access hatchway, the hatchway framework and folding stairway shown in broken lines;

FIG. 2 is a top view thereof;

FIG. 3 is a left side view thereof;

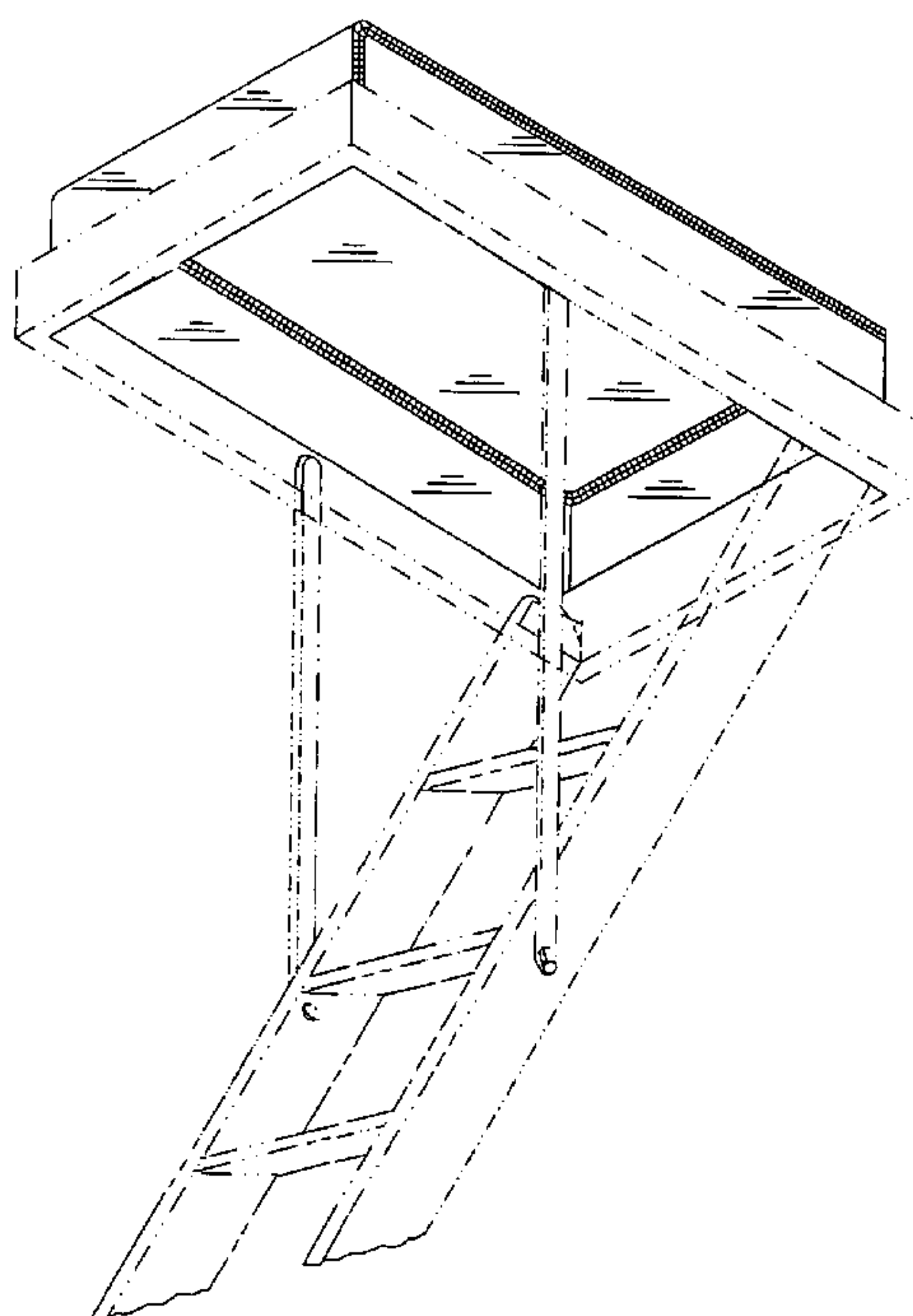
FIG. 4 is a right side view thereof;

FIG. 5 is a rear view thereof; and,

FIG. 6 is a front view thereof.

The broken lines showing portions of the hatchway framework and folding stairway are for illustrative purposes only and form no part of the claimed design.

1 Claim, 3 Drawing Sheets



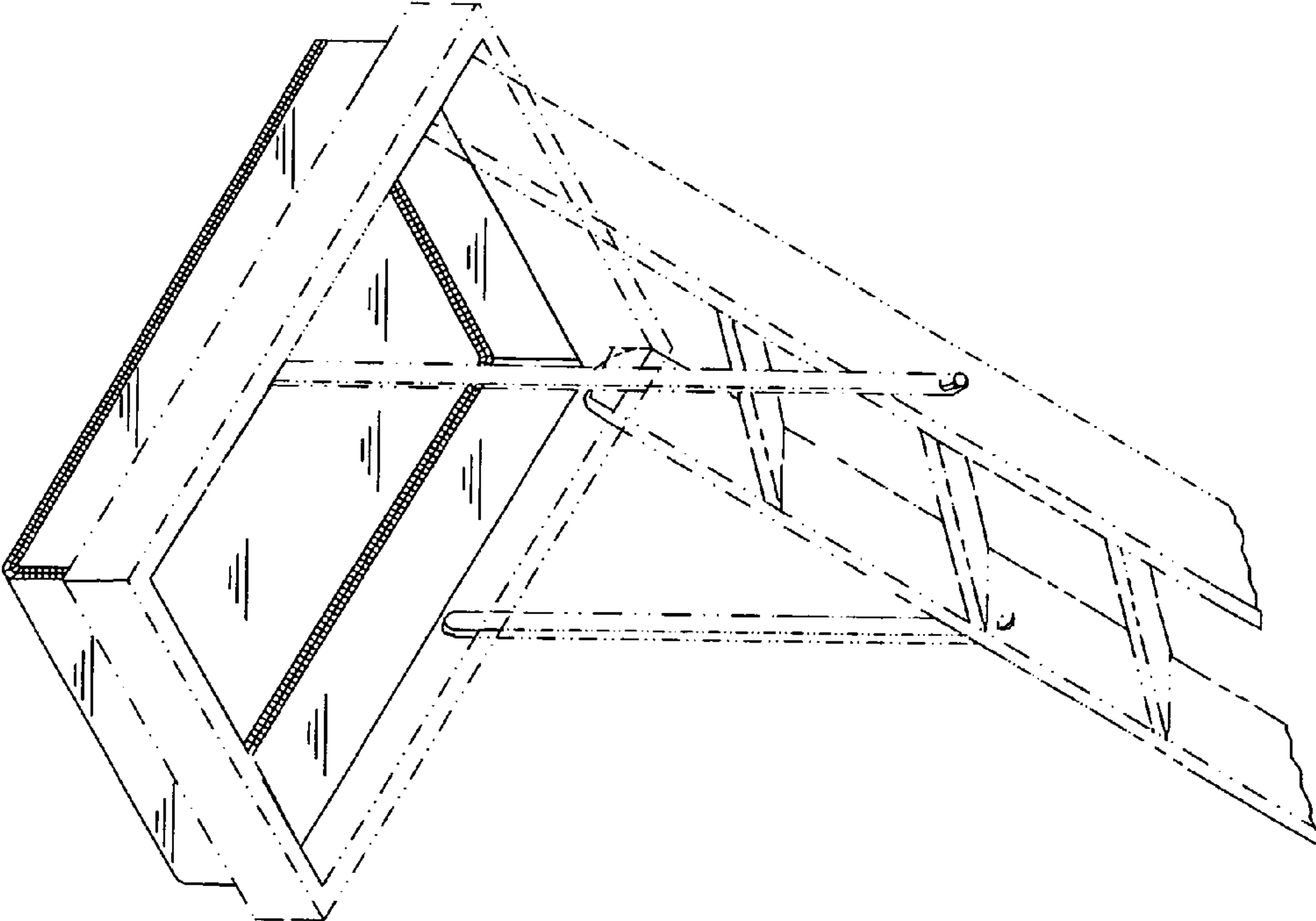


Figure 1

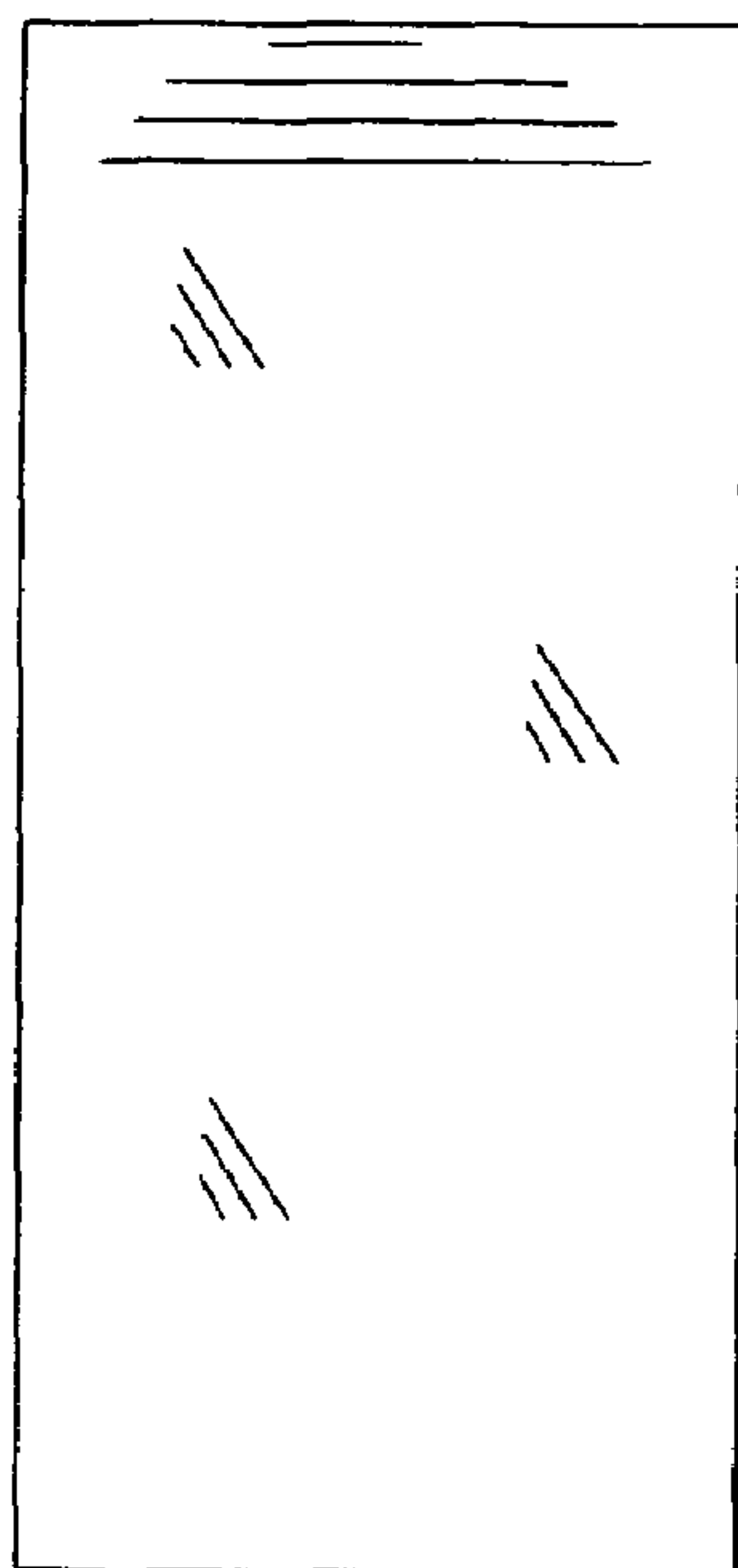


Figure 2

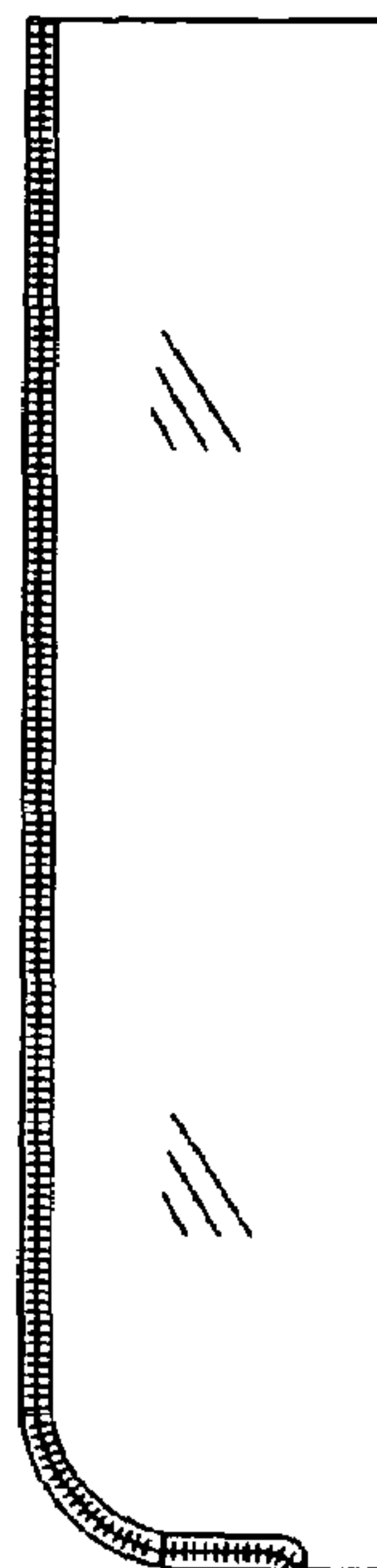


Figure 3

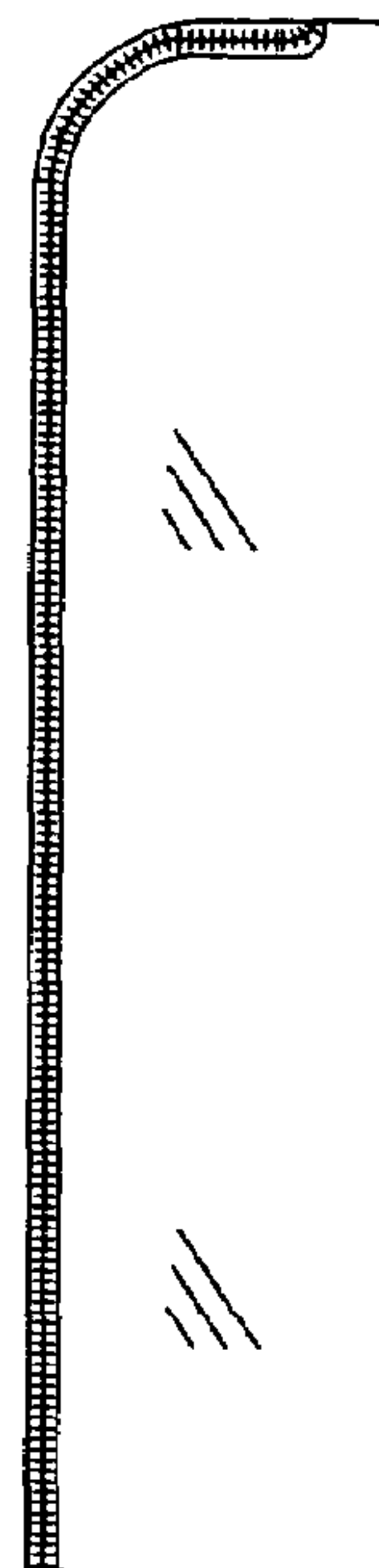


Figure 4

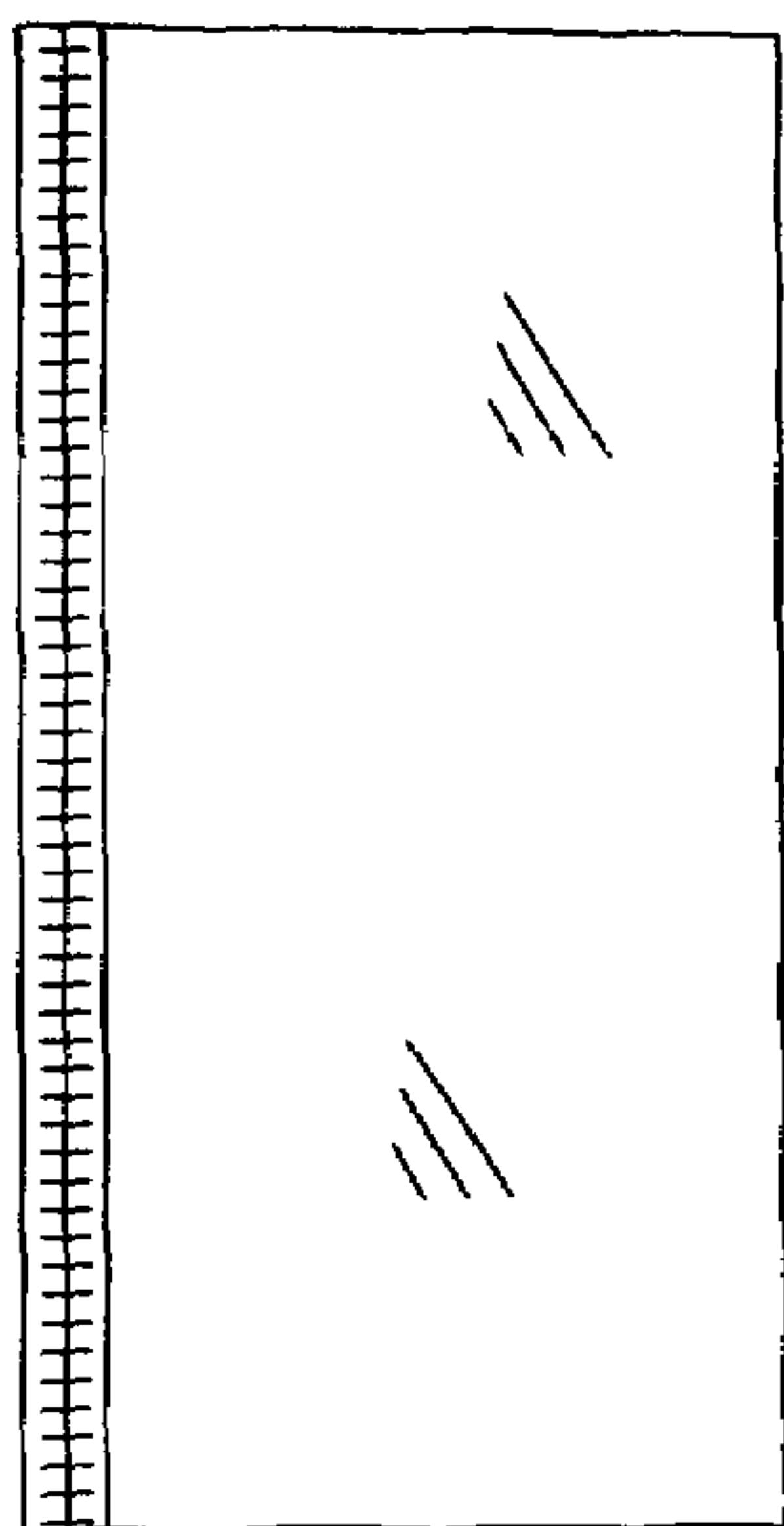


FIGURE 5

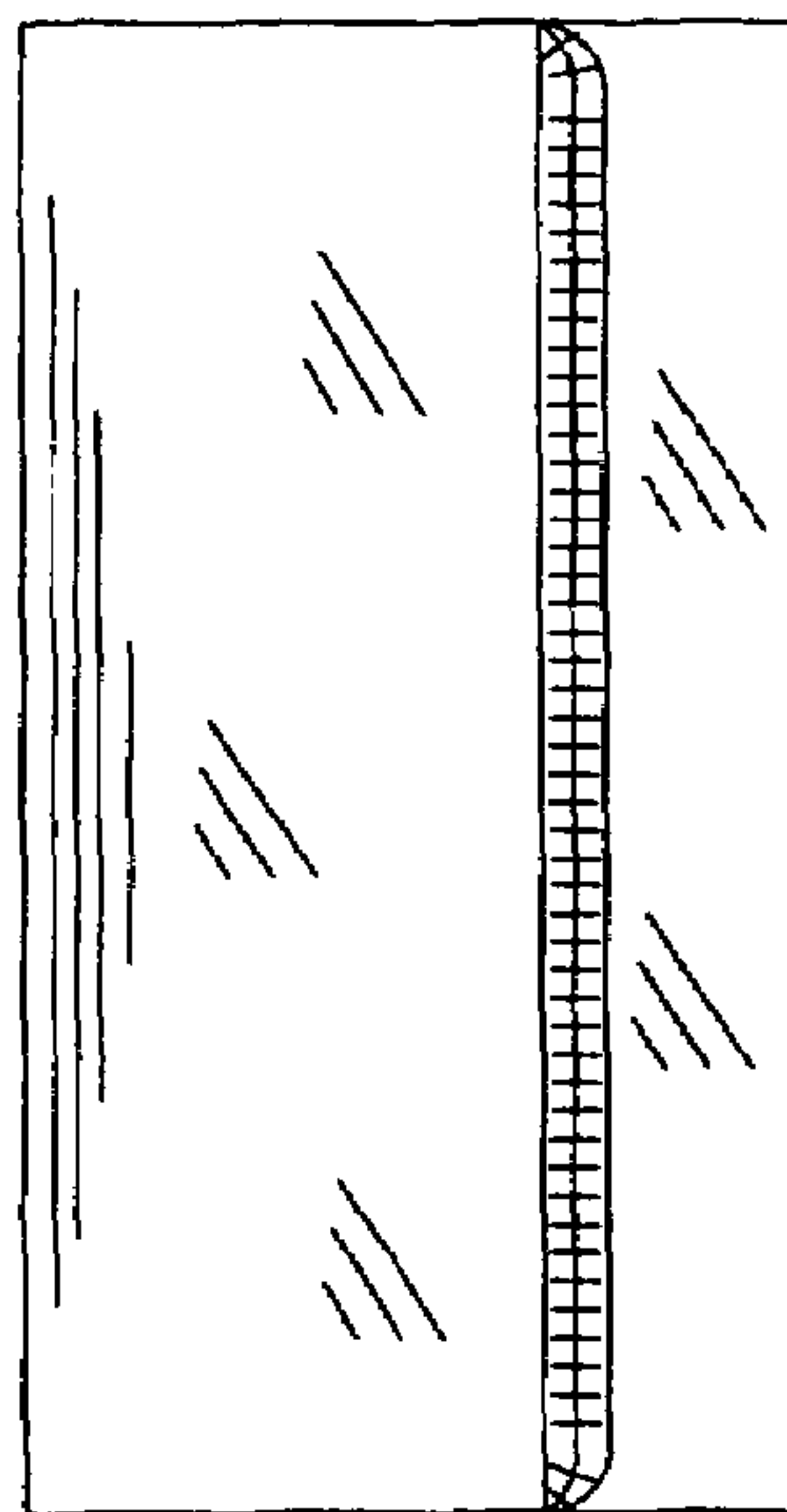


FIGURE 6