



US00D586472S

(12) **United States Design Patent**
Harold et al.

(10) **Patent No.:** **US D586,472 S**

(45) **Date of Patent:** **** Feb. 10, 2009**

(54) **HIGH RECOVERY VIAL**

D452,654 S * 1/2002 Scaramelli, IV D9/549

(75) Inventors: **Redd J. Harold**, Ocean View, NJ (US);
Daniel R. Hoffman, Mullica Hill, NJ
(US)

* cited by examiner

Primary Examiner—Louis S Zarfaz

Assistant Examiner—Anhdao Doan

(73) Assignee: **COMAR**, Buena, NJ (US)

(74) *Attorney, Agent, or Firm*—James G. O’Boyle, Esq.

(**) Term: **14 Years**

(57) **CLAIM**

(21) Appl. No.: **29/300,272**

The ornamental design for a high recovery vial, as shown and described.

(22) Filed: **Mar. 6, 2008**

DESCRIPTION

Related U.S. Application Data

(62) Division of application No. 29/243,220, filed on Nov. 22, 2005, now Pat. No. Des. 567,388.

FIG. 1 is a top perspective view of a high recovery vial showing our new design;

(51) **LOC (9) Cl.** **24-01**

(52) **U.S. Cl.** **D24/224**

(58) **Field of Classification Search** D24/216–230;
D9/500, 549, 558, 574; 422/99–102, 104;
435/288.1, 288.2; 356/246

FIG. 2 is a bottom perspective view of the vial shown in FIG. 1;

See application file for complete search history.

FIG. 3 is a side elevational view of the vial shown in FIG. 1;

(56) **References Cited**

U.S. PATENT DOCUMENTS

D274,040 S * 5/1984 Ridgley D3/203.3
D330,429 S * 10/1992 Lewis et al. D24/224
D336,035 S * 6/1993 Baker D9/669
D378,940 S * 4/1997 Baxter D24/224

FIG. 4 is a side elevational view of the vial as viewed from the left side of the vial shown in FIG. 3;

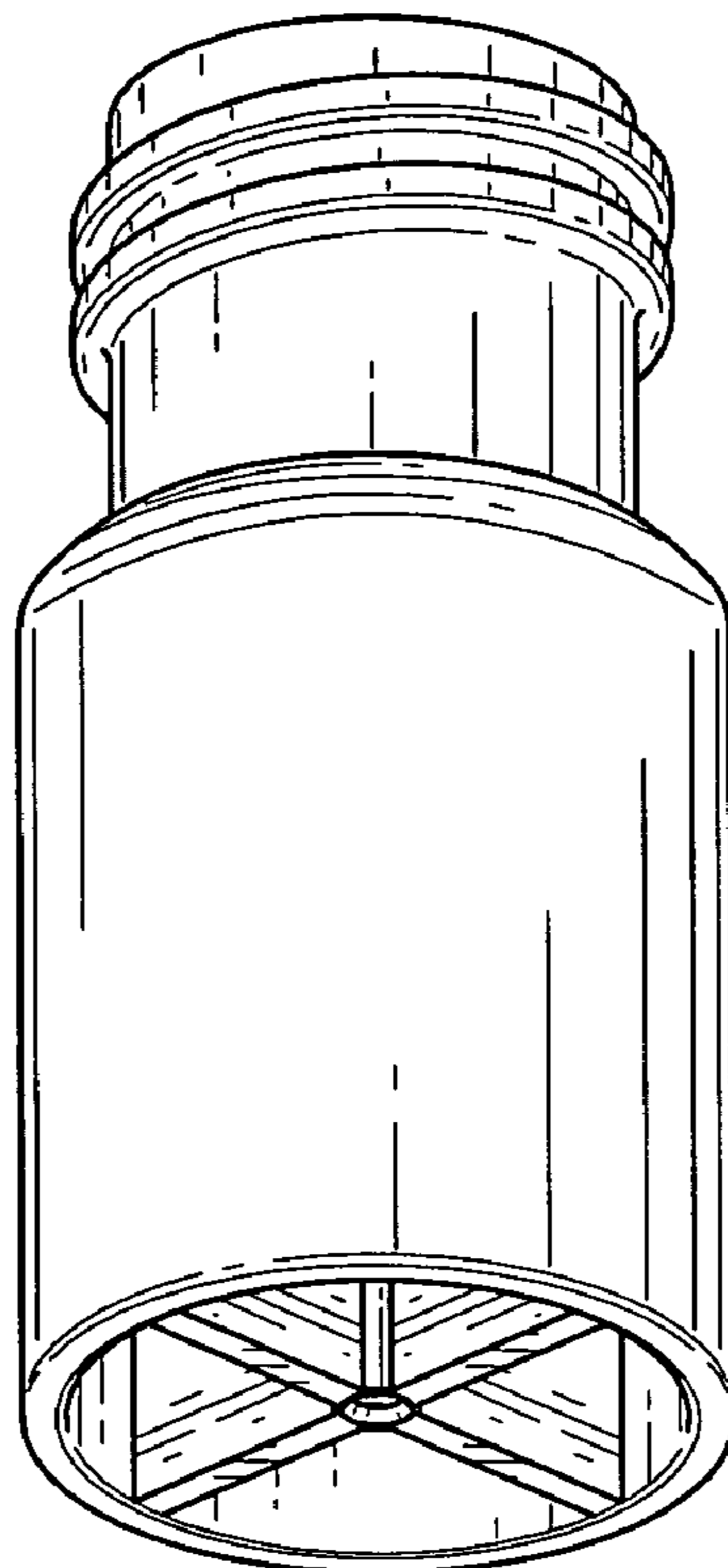
FIG. 5 is a side elevational view of the vial as viewed from the right side of the vial shown in FIG. 3;

FIG. 6 is a top plan view of the vial shown in FIG. 4;

FIG. 7 is a bottom plan view of the vial shown in FIG. 2; and,

FIG. 8 is a sectional side elevational view of the vial taken along line 8—8 of FIG. 7.

1 Claim, 2 Drawing Sheets



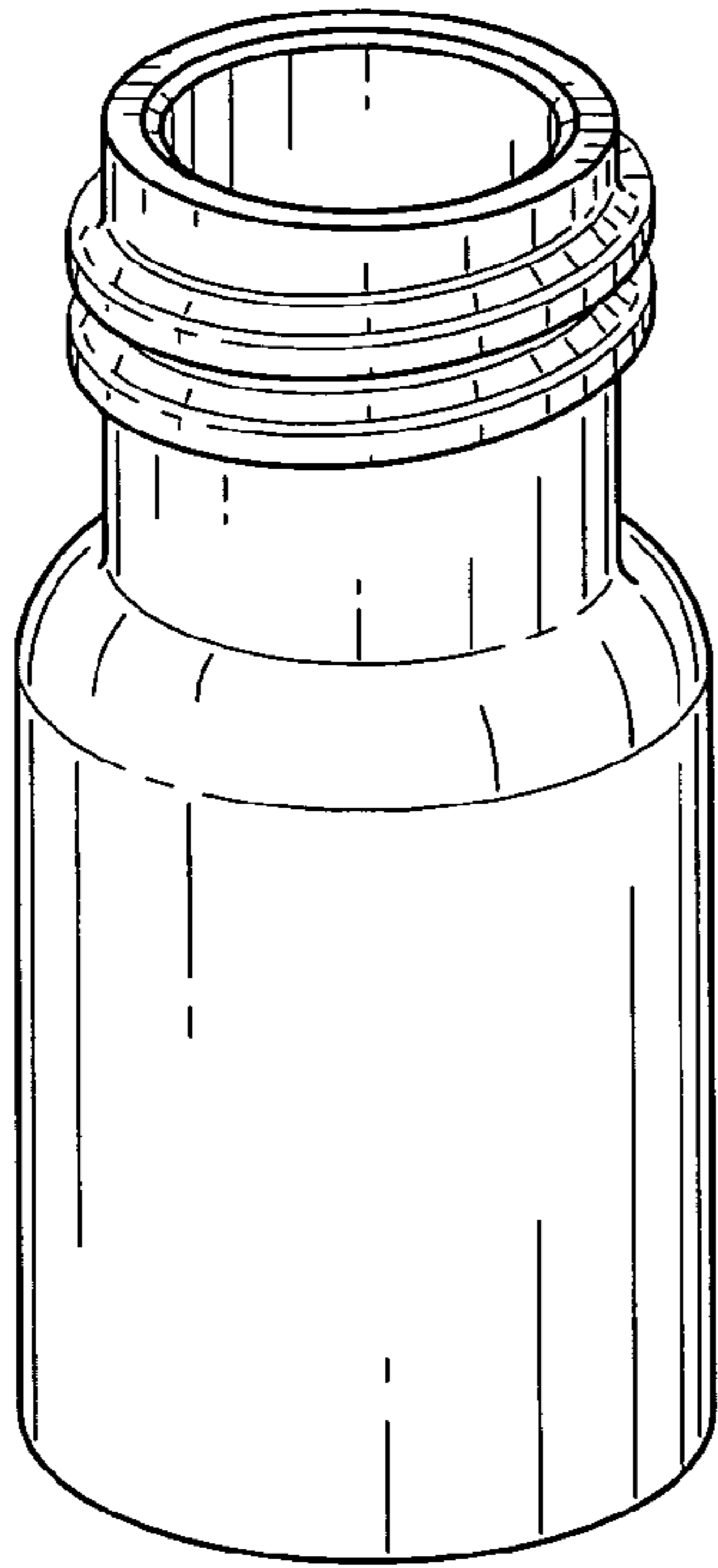


FIG. 1

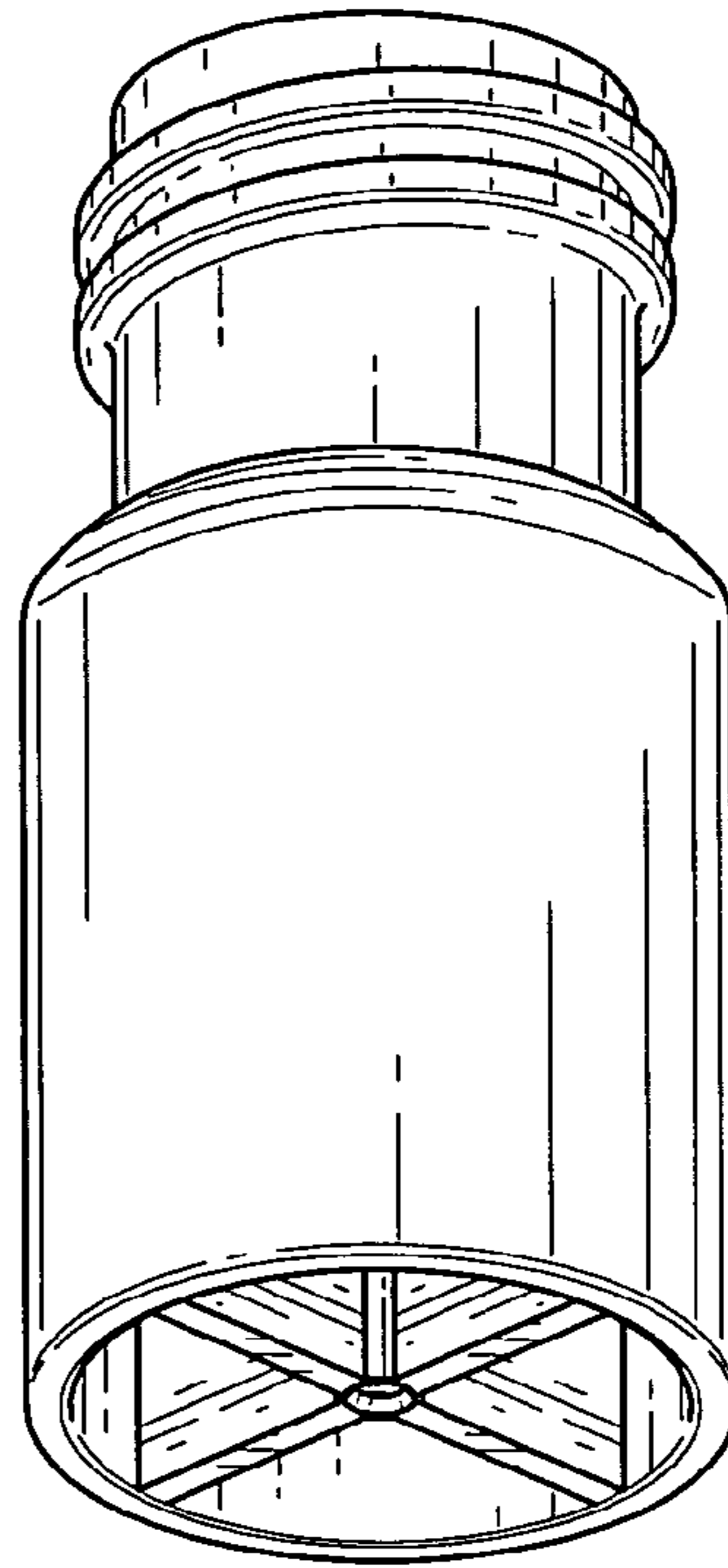


FIG. 2

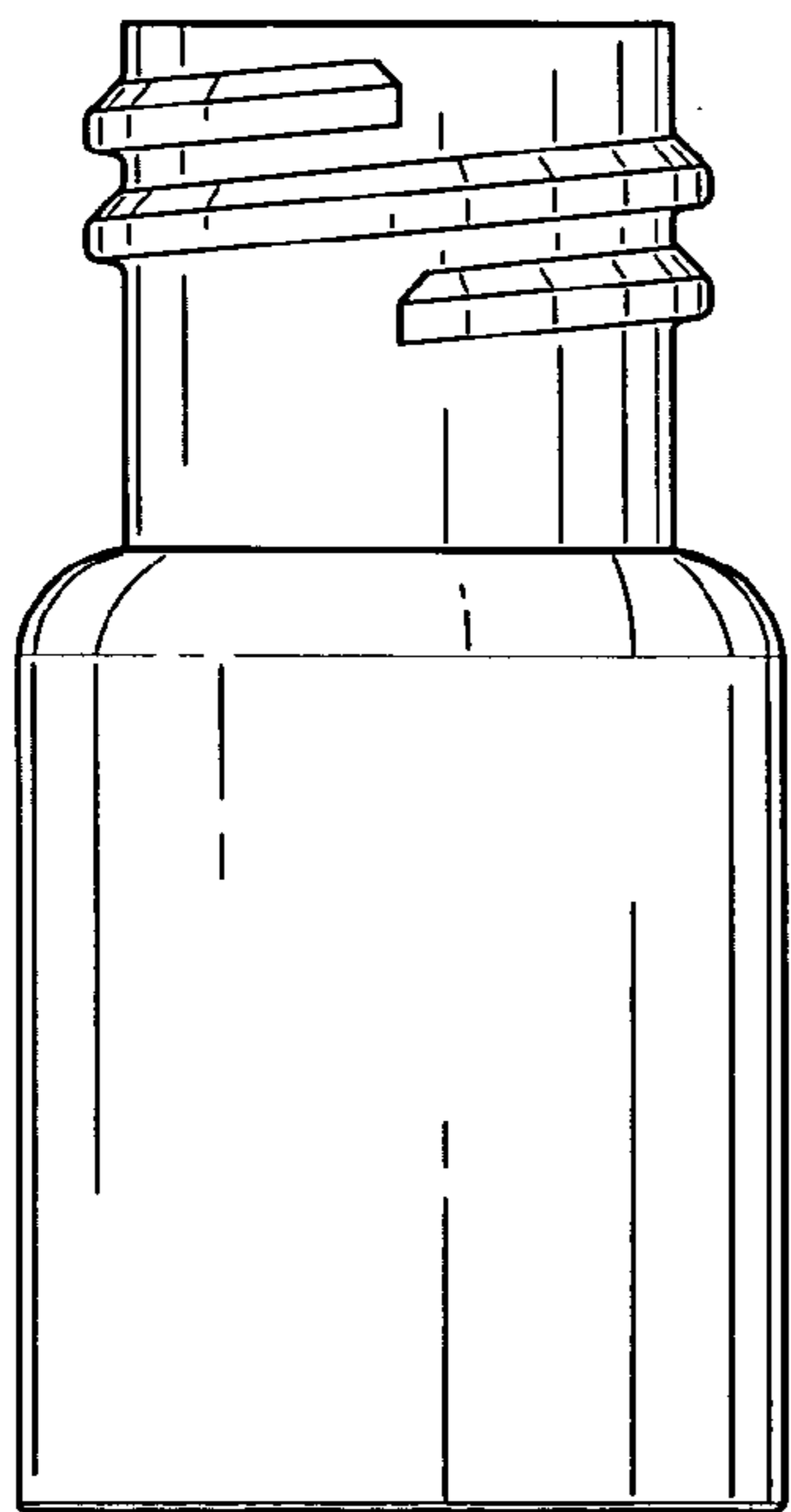


FIG. 3

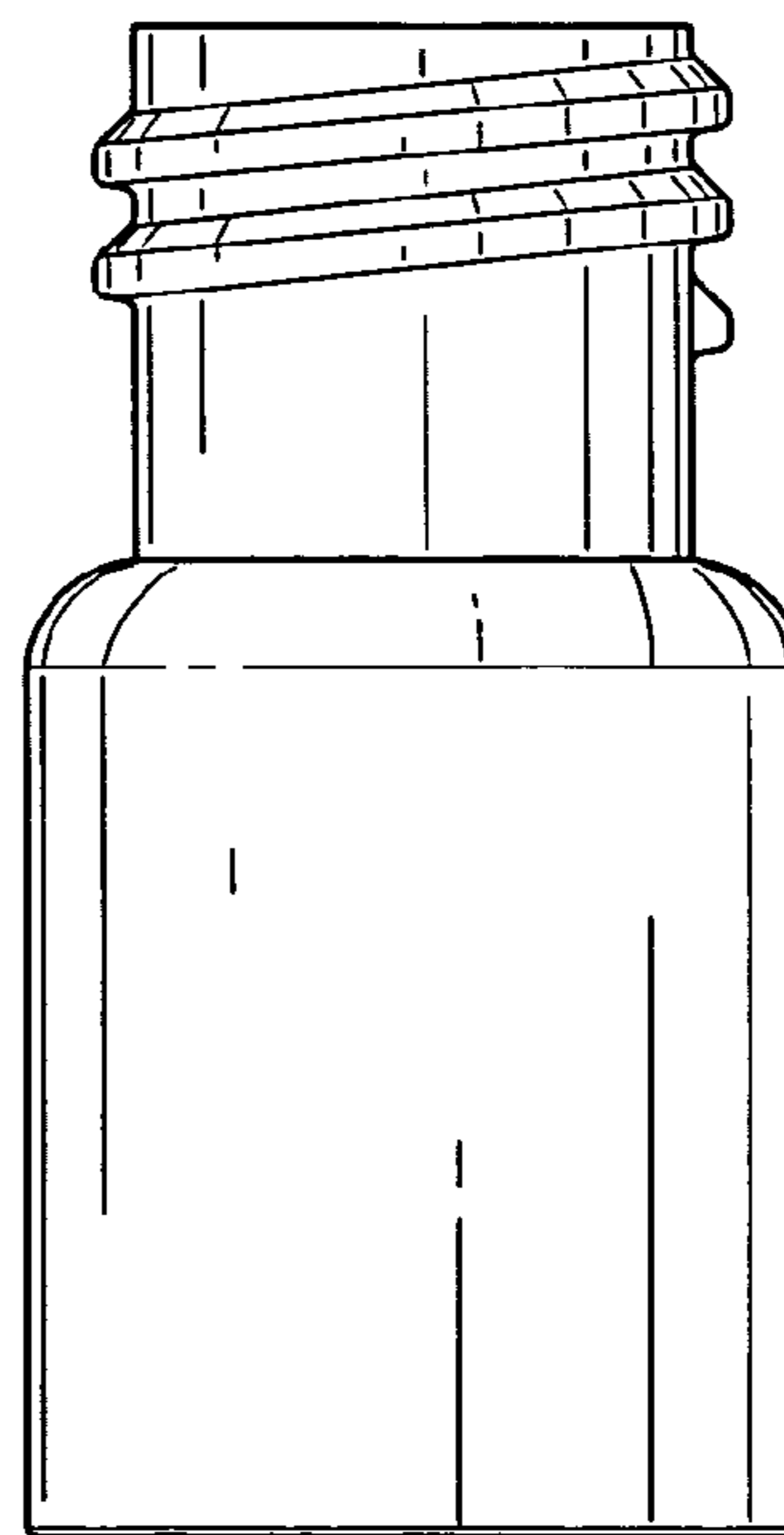


FIG. 4

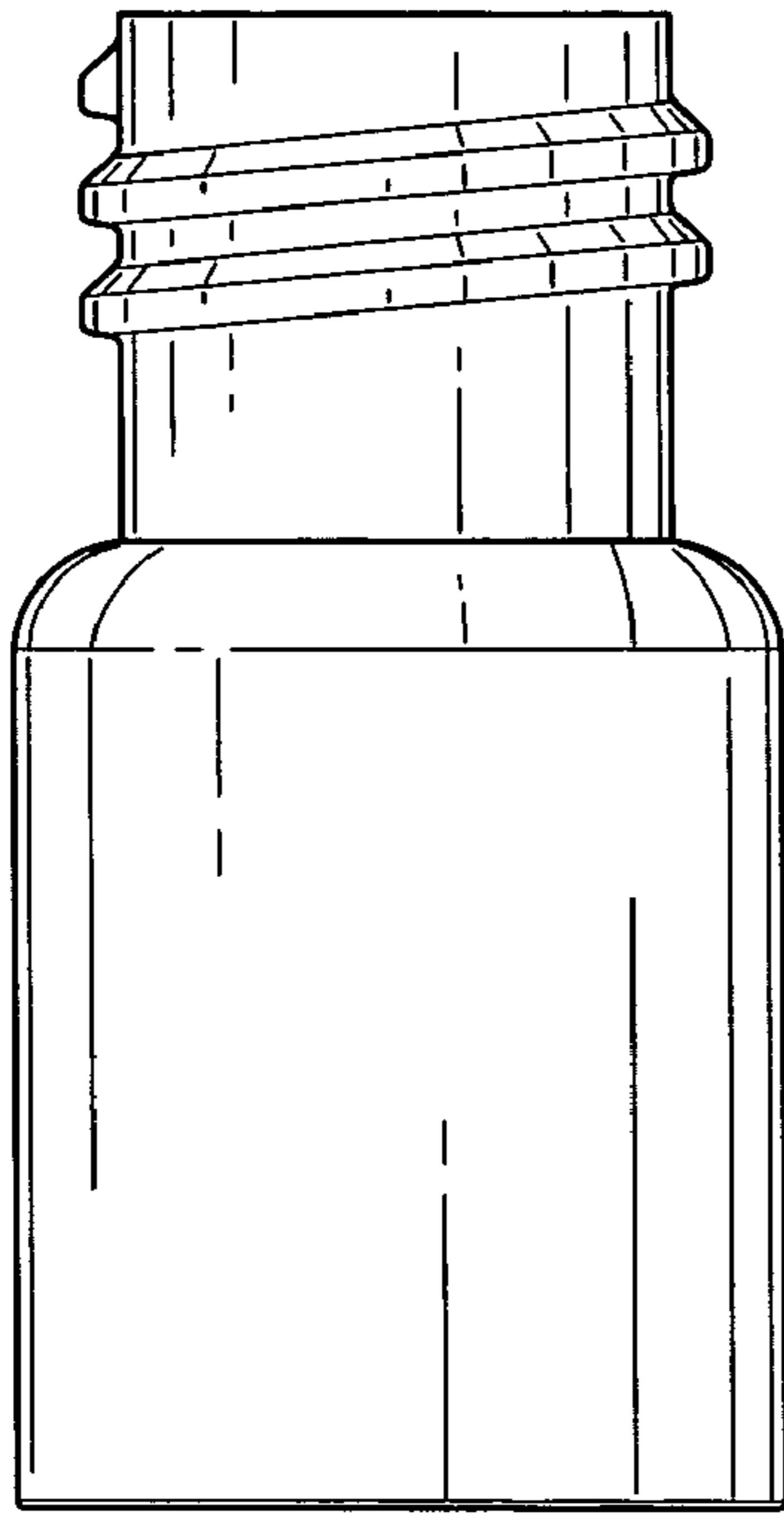


FIG. 5

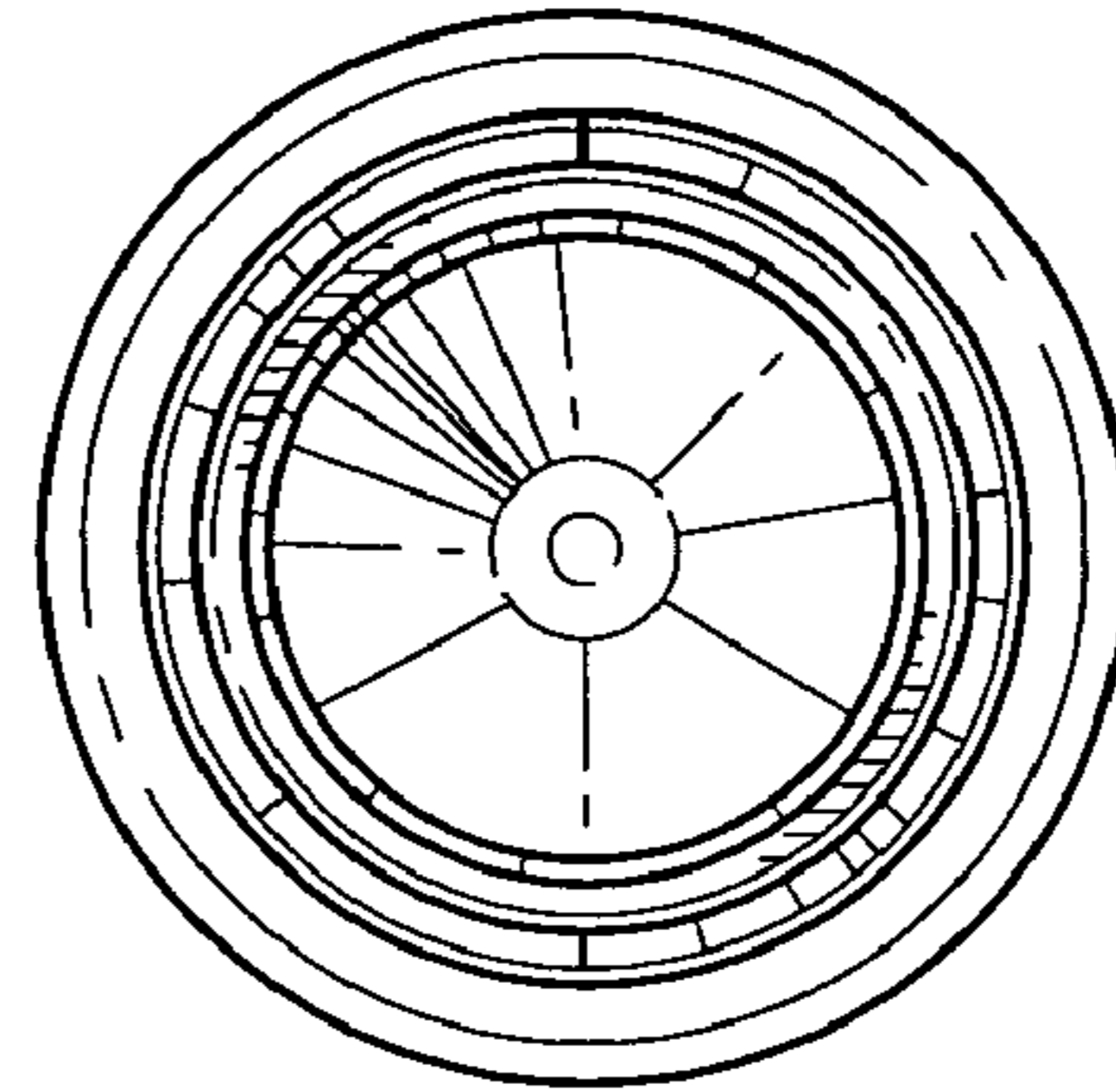


FIG. 6

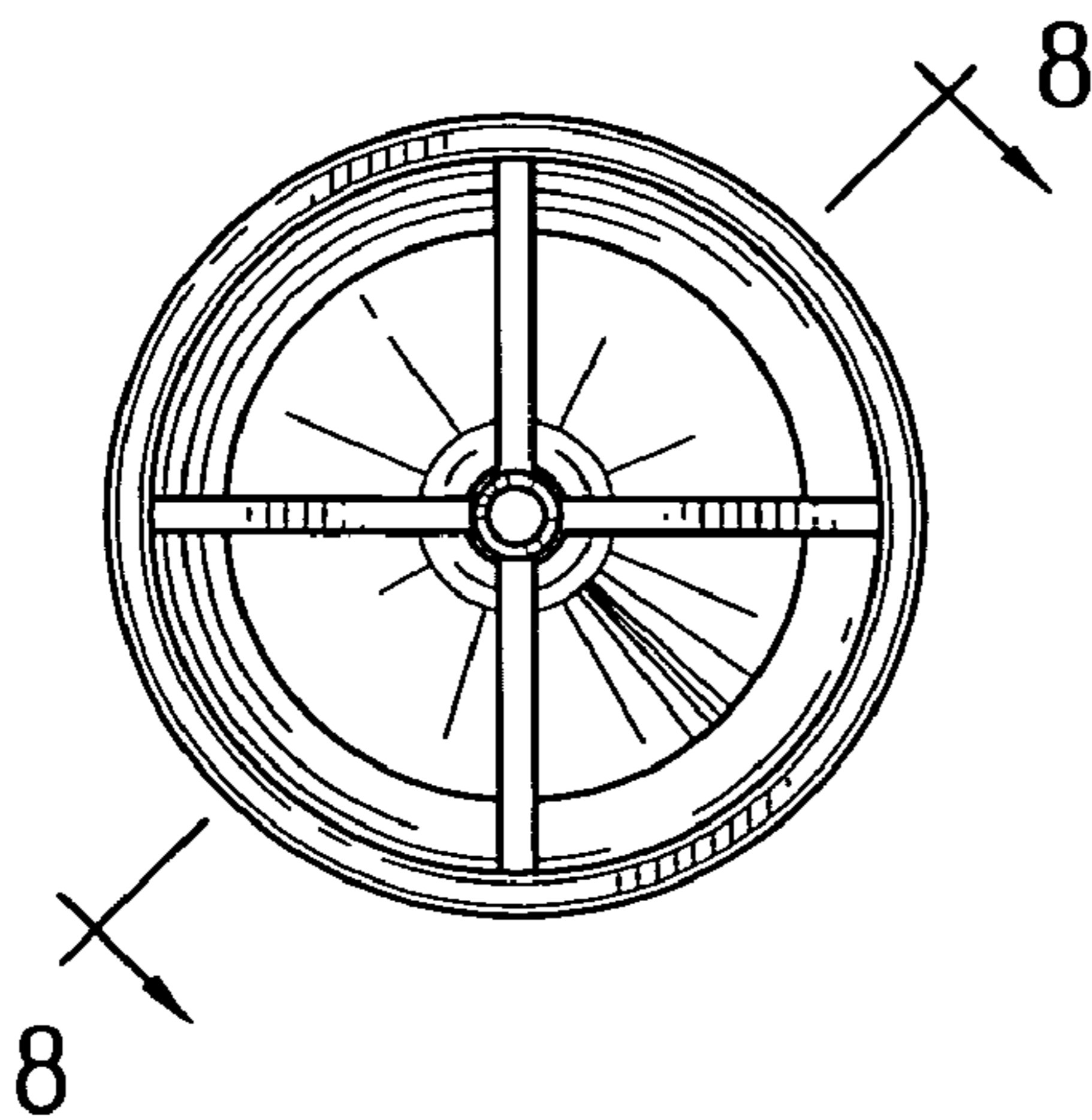


FIG. 7

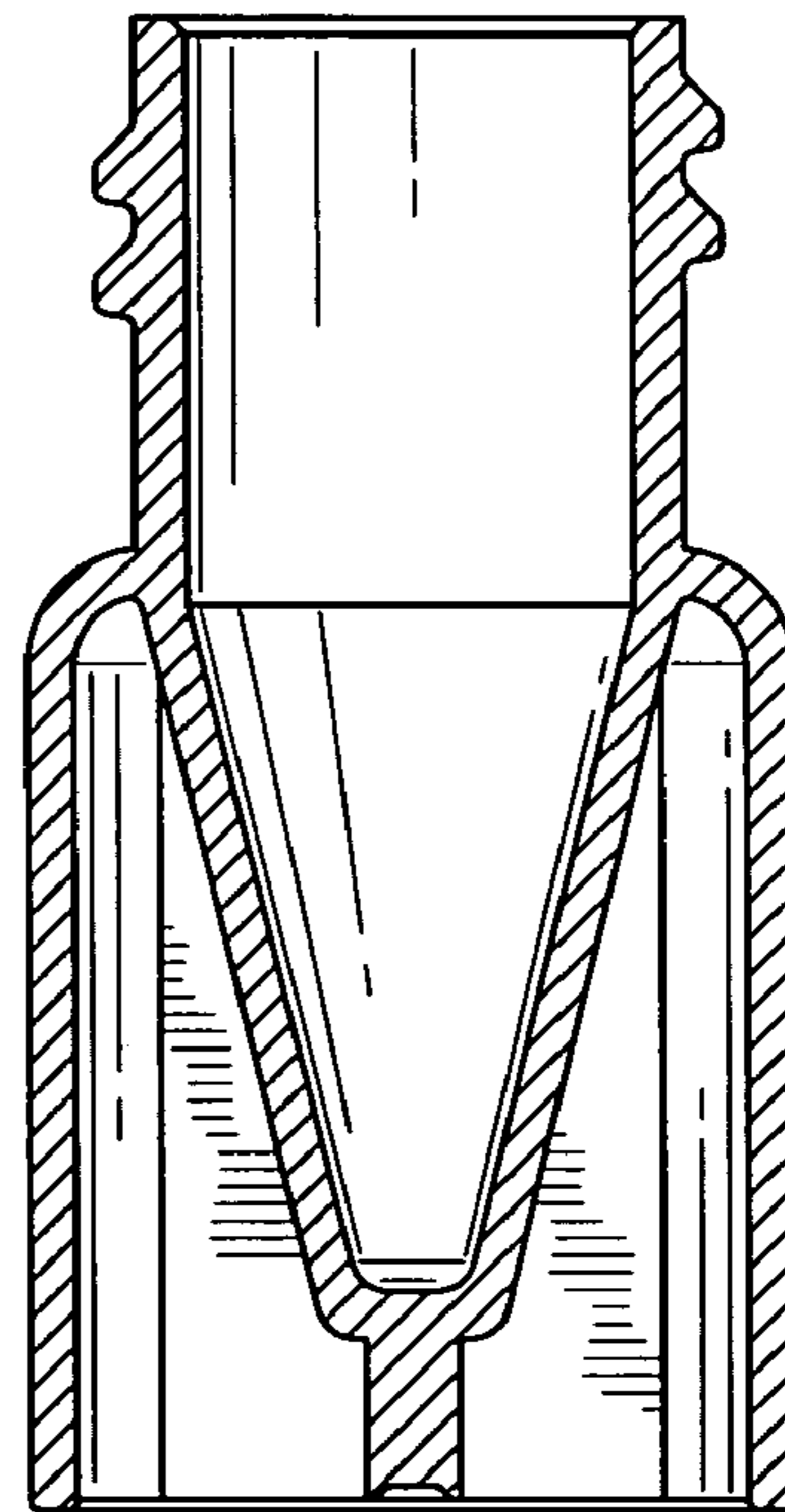


FIG. 8