



US00D586471S

(12) **United States Design Patent**
Wulf

(10) **Patent No.:** **US D586,471 S**

(45) **Date of Patent:** **** Feb. 10, 2009**

(54) **USER MANIPULATION MASSAGING
DEVICE**

D384,417 S * 9/1997 Zurbay D24/214
D399,569 S * 10/1998 Wier et al. D24/212
D568,487 S * 5/2008 Hsu D24/214

(76) Inventor: **Todd M. Wulf**, 2003 Horsebarn Rd.,
Suite 9, Rogers, AR (US) 72758

* cited by examiner

(**) Term: **14 Years**

Primary Examiner—Ian Simmons
Assistant Examiner—Wan Laymon

(21) Appl. No.: **29/257,638**

(74) *Attorney, Agent, or Firm*—Keisling Pieper & Scott PLC;
David B. Pieper; Trent C. Keisling

(22) Filed: **Apr. 7, 2006**

(57) **CLAIM**

(51) **LOC (9) Cl.** **28-03**

(52) **U.S. Cl.** **D24/214; D24/211**

(58) **Field of Classification Search** D24/200,
D24/211–215, 191, 198; 601/131, 134–138,
601/118–119, 122–123; D30/160; 482/44,
482/49–50

The ornamental design for a user manipulation massaging
device, as shown and described.

See application file for complete search history.

DESCRIPTION

(56) **References Cited**

U.S. PATENT DOCUMENTS

3,037,500 A * 6/1962 Daugherty 601/121
4,109,649 A * 8/1978 Iyomasa 601/121
D253,373 S * 11/1979 Celeste D24/212
D257,883 S * 1/1981 Holmberg D24/212
D271,051 S * 10/1983 McCoy et al. D24/211
D281,816 S * 12/1985 Conn et al. D24/211
D357,952 S * 5/1995 Chen D21/684
D371,202 S * 6/1996 Zajas et al. D24/211

FIG. 1 is a top view of a user manipulation tension reliever
showing my new design with faceted sides and changing
contact elements;

FIG. 2 is a back elevational view thereof;

FIG. 3 is a left side elevational view thereof;

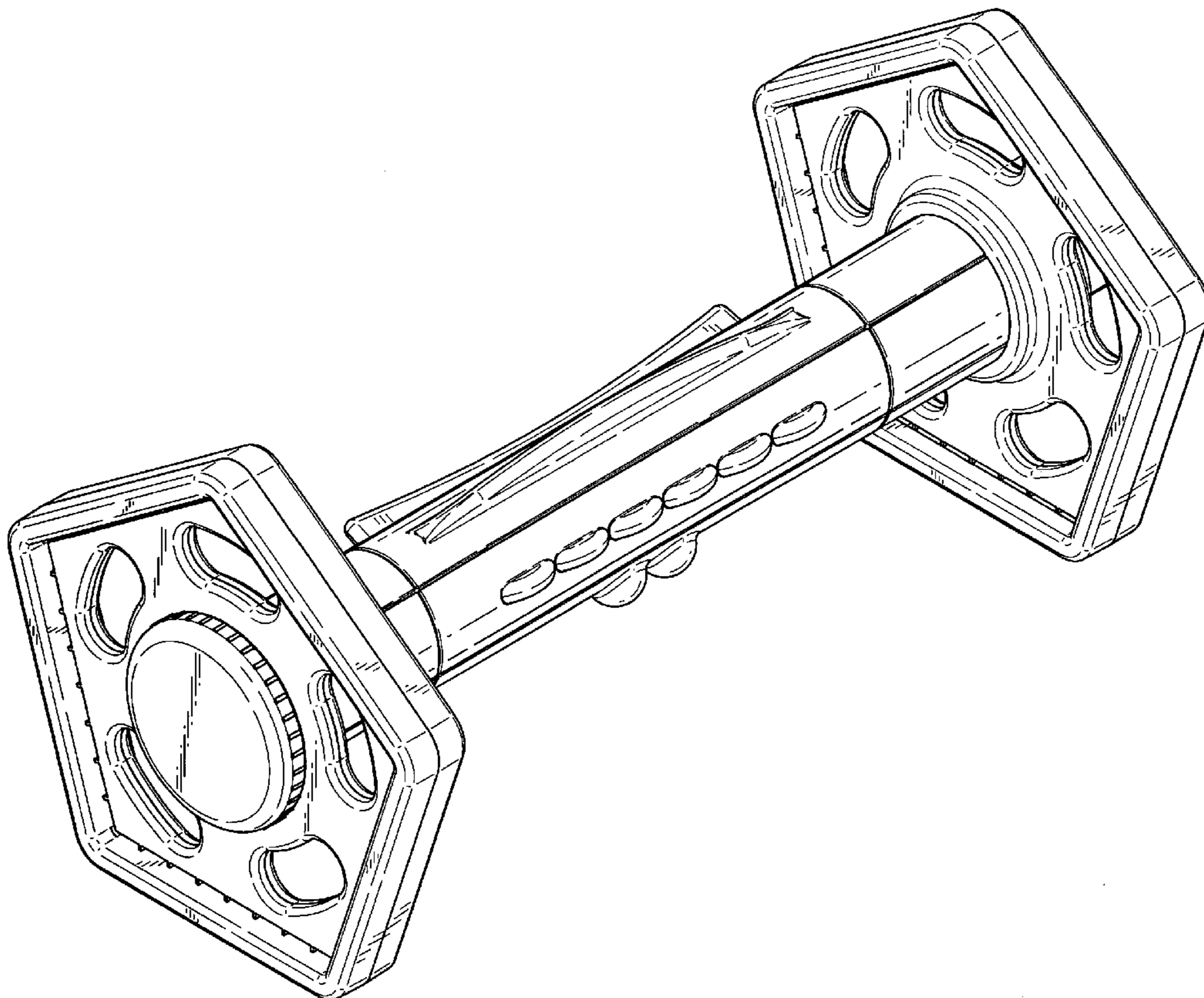
FIG. 4 is a front elevational view thereof;

FIG. 5 is a right side elevational view thereof;

FIG. 6 is a bottom elevational view thereof; and,

FIG. 7 is an isometric view thereof.

1 Claim, 7 Drawing Sheets



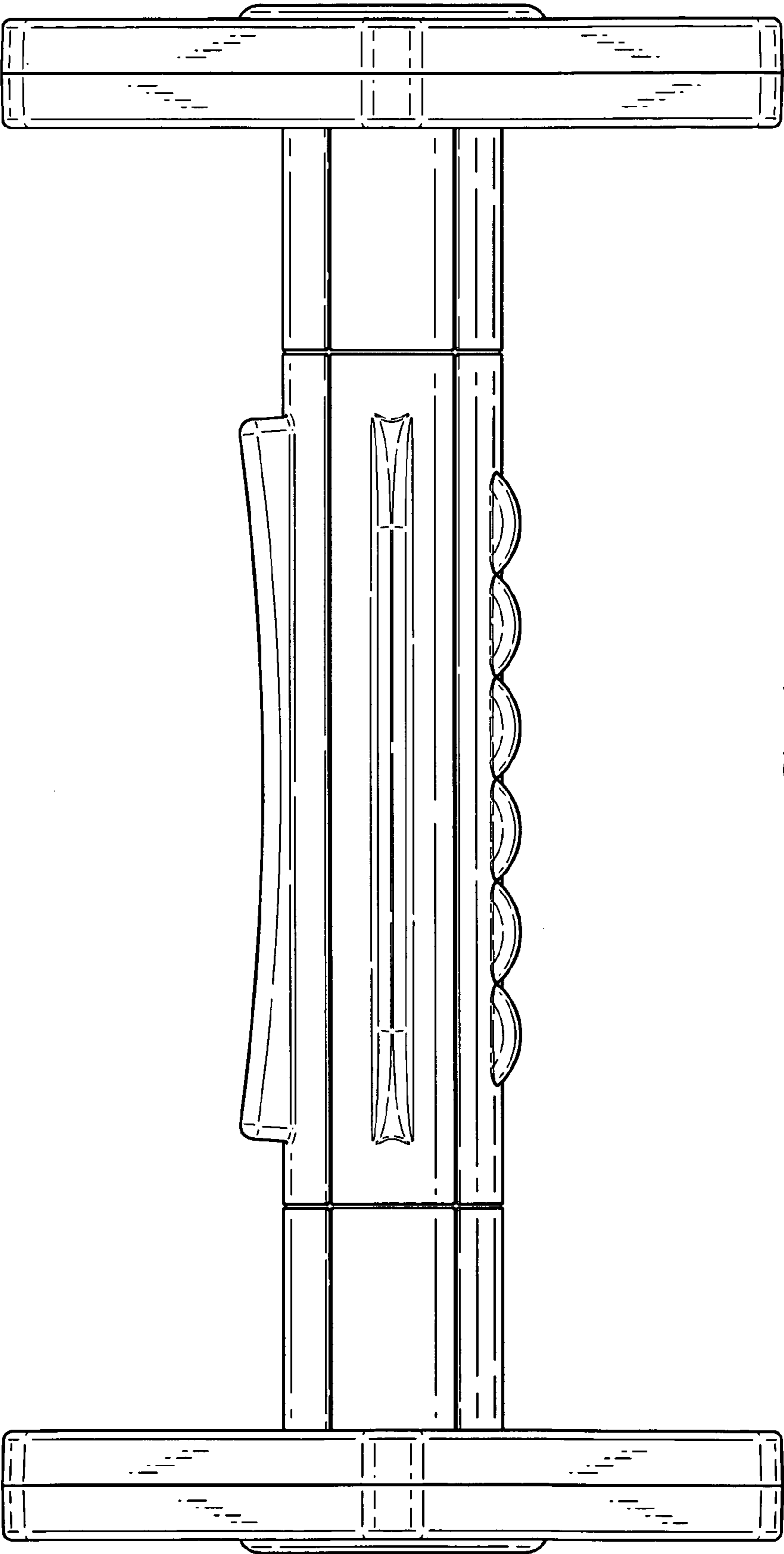


FIG. 1

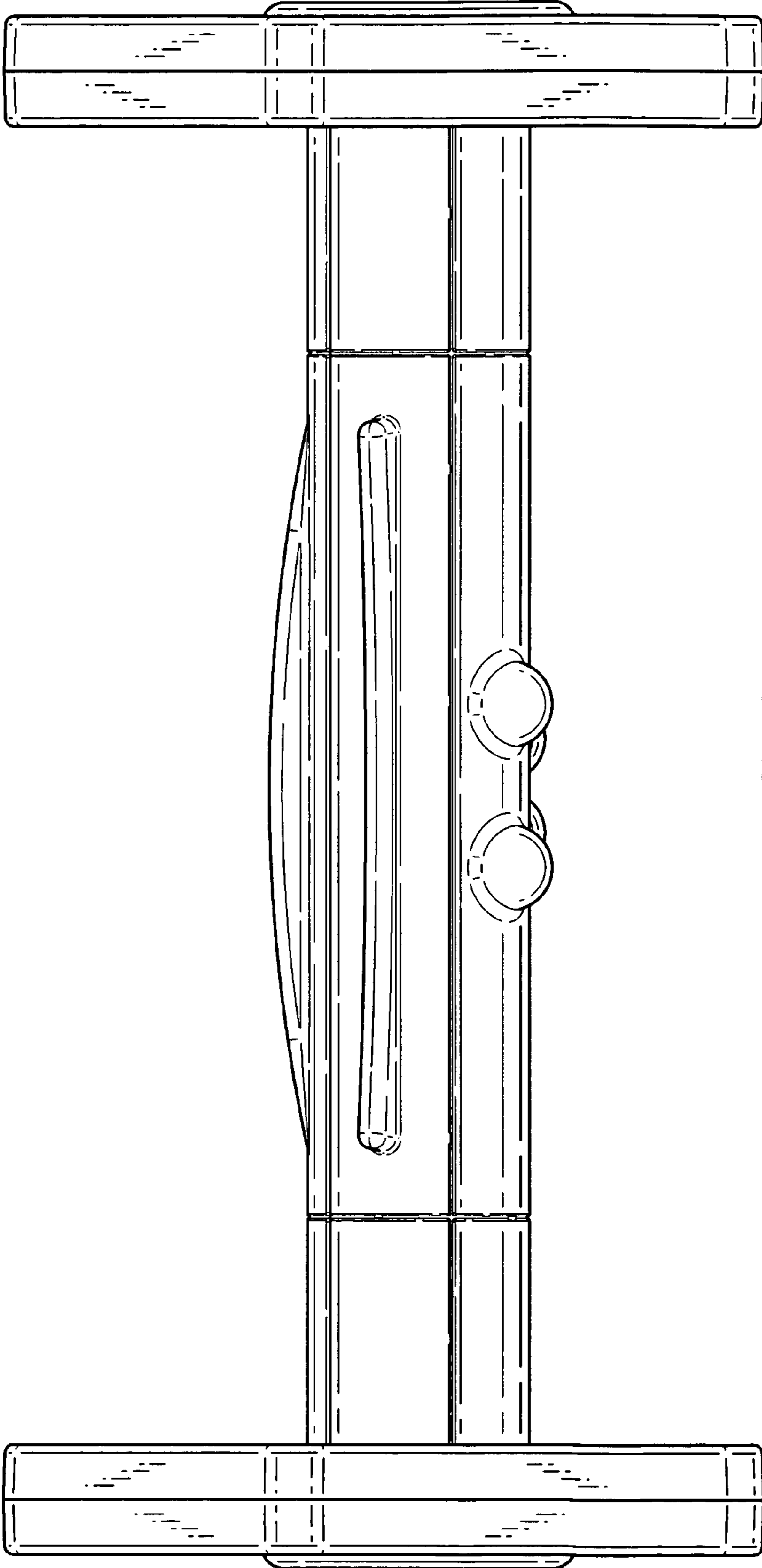


FIG. 2

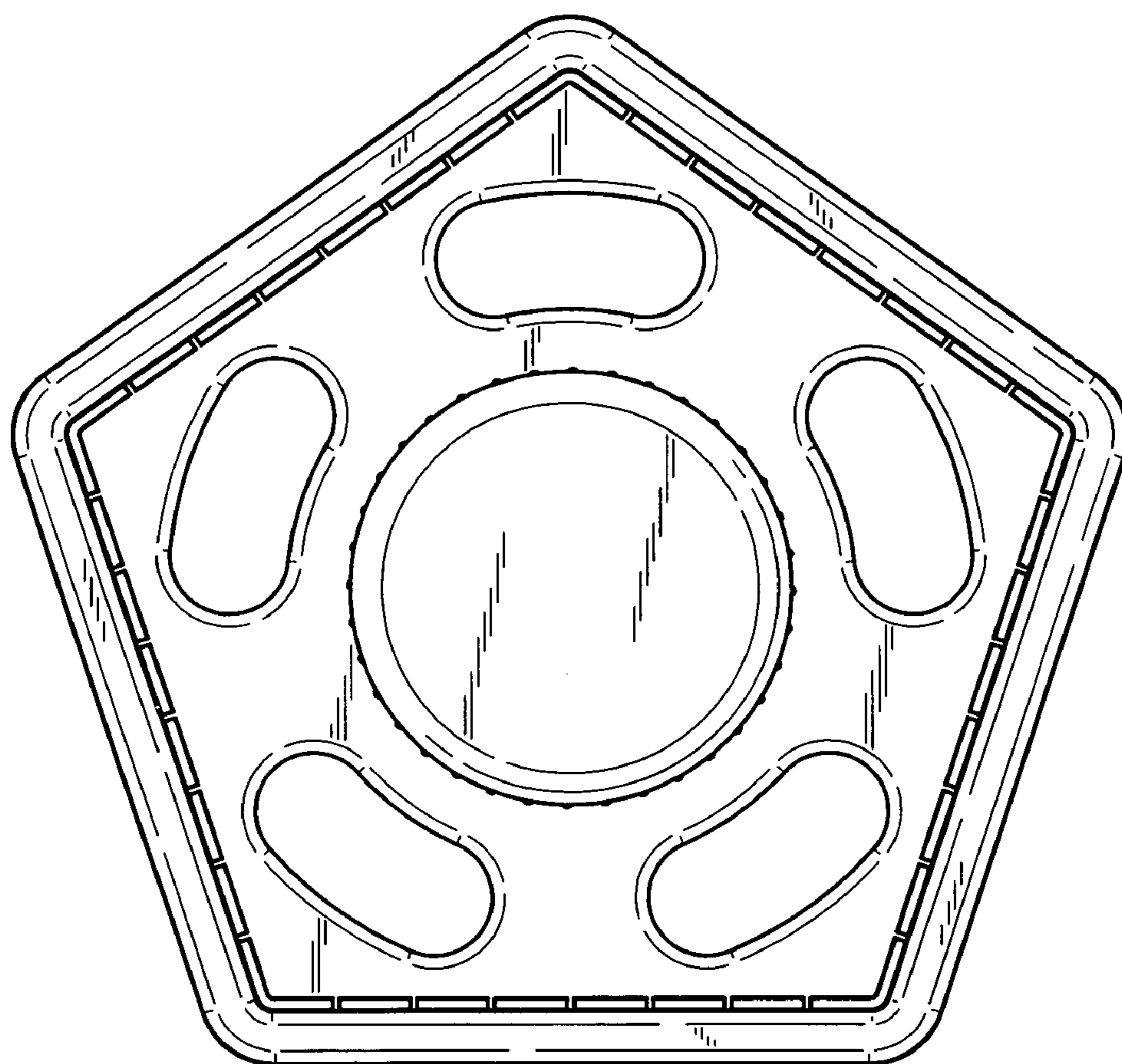


FIG. 3

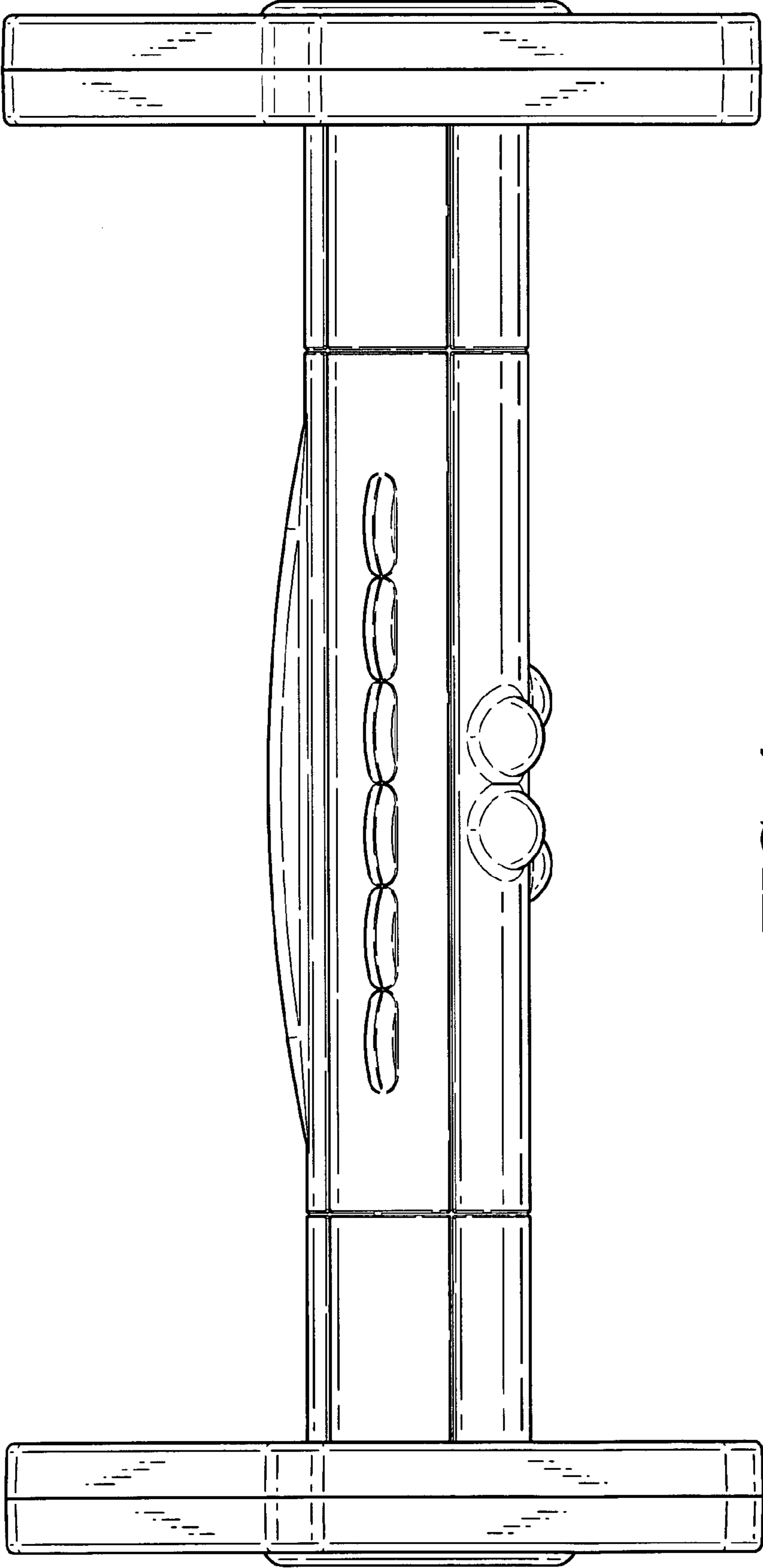


FIG. 4

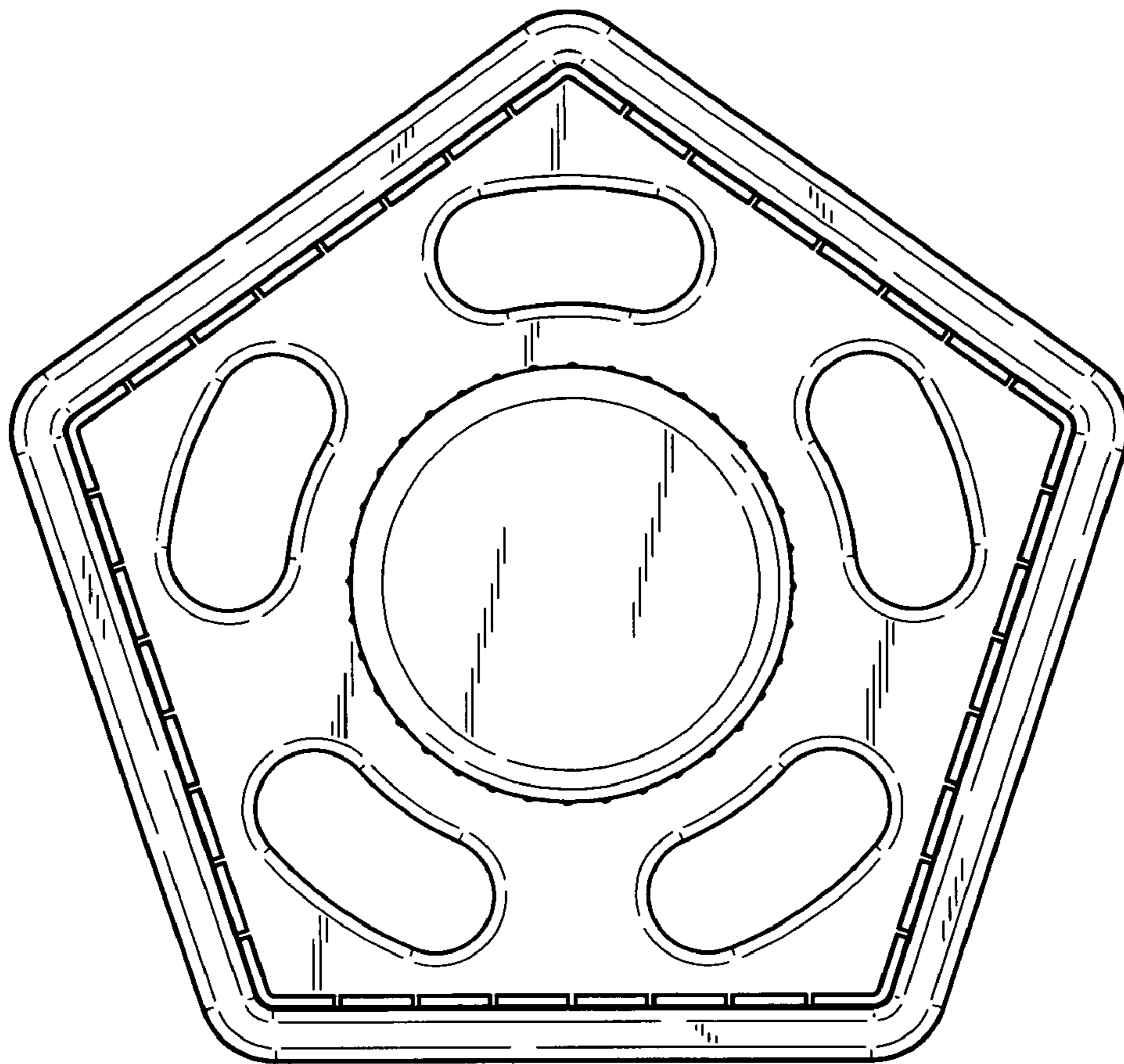


FIG. 5

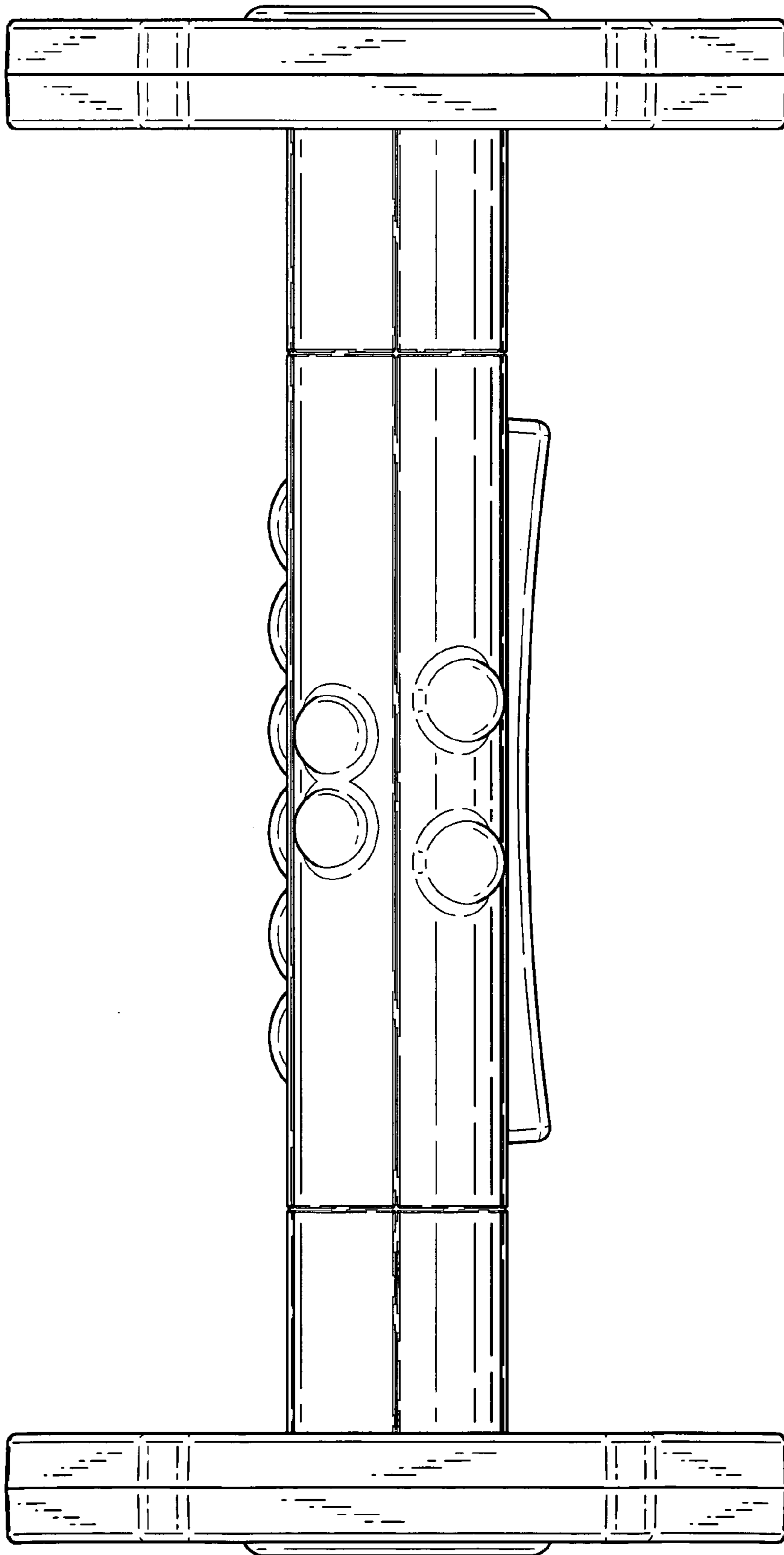


FIG. 6

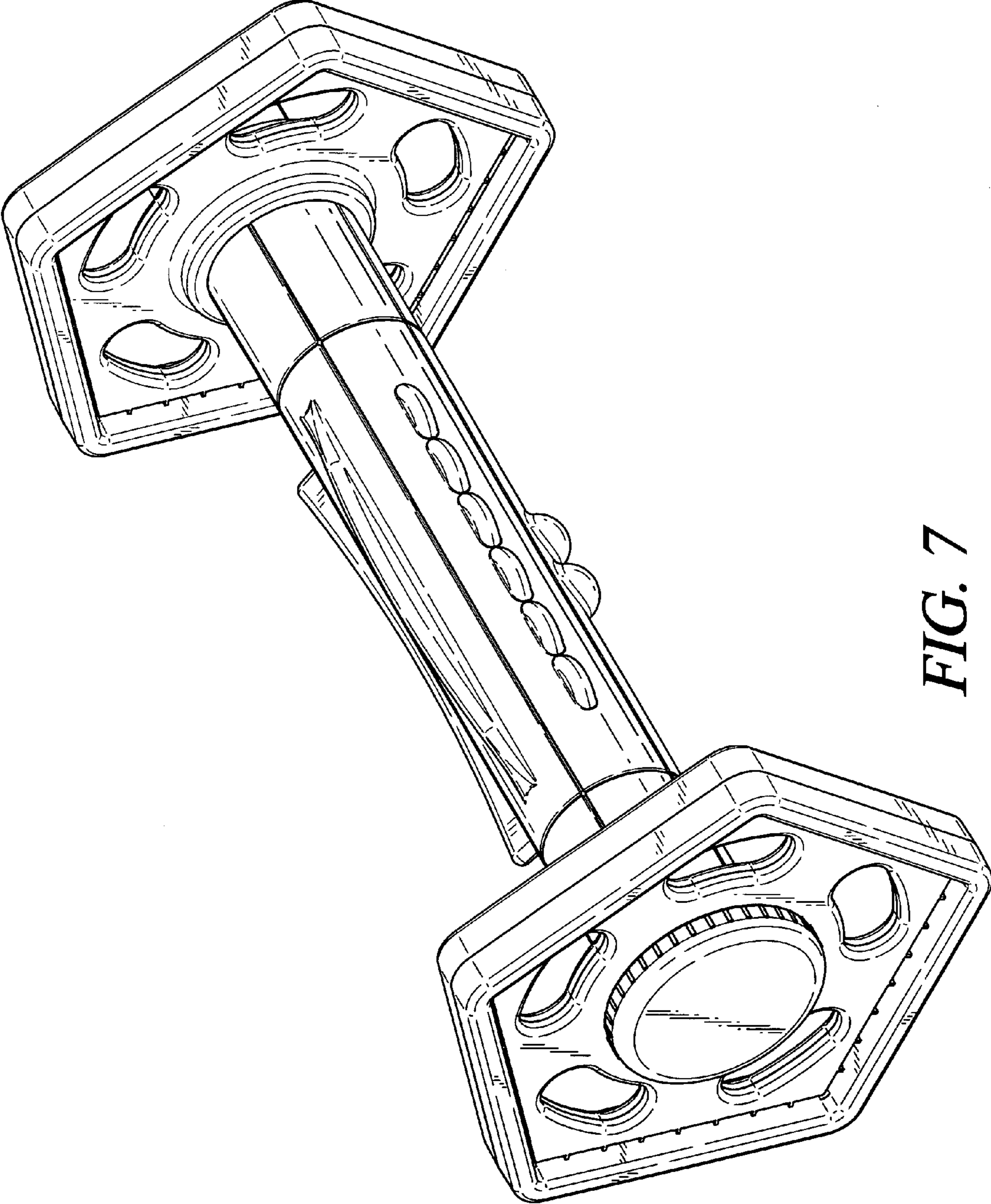


FIG. 7