



US00D586470S

(12) **United States Design Patent**
Warder

(10) **Patent No.:** **US D586,470 S**

(45) **Date of Patent:** **** Feb. 10, 2009**

(54) **SELF-MASSAGE TOOL**

(76) Inventor: **Gary R. Warder**, 1696 Gil Way, Vista,
CA (US) 92084

(**) Term: **14 Years**

(21) Appl. No.: **29/298,900**

(22) Filed: **Dec. 14, 2007**

Related U.S. Application Data

(63) Continuation of application No. 10/454,393, filed on
Jun. 3, 2003, now Pat. No. 7,320,668.

(51) **LOC (9) Cl.** **28-03**

(52) **U.S. Cl.** **D24/211**

(58) **Field of Classification Search** D24/211,
D24/212, 200, 214; 601/1, 134, 135, 136,
601/23, 27, 28, 29

See application file for complete search history.

(56) **References Cited**

U.S. PATENT DOCUMENTS

1,265,083	A	5/1918	Hoard	
4,126,129	A	11/1978	Rainbow	
4,233,966	A *	11/1980	Takahashi	601/134
4,452,237	A	6/1984	Lewis	
4,662,363	A	5/1987	Romano et al.	
5,024,215	A	6/1991	Wang	
5,348,529	A	9/1994	Veltri	
5,352,188	A *	10/1994	Vitko	601/128
D362,074	S *	9/1995	Brown	D24/211
D373,195	S *	8/1996	Hoff	D24/211
D374,083	S *	9/1996	Duh	D24/211
D379,518	S *	5/1997	Bergman et al.	D24/211
5,843,005	A	12/1998	Chubinsky	
5,868,689	A	2/1999	Faroky et al.	
5,899,868	A	5/1999	VandeBerg	
5,913,839	A	6/1999	Wincek	
5,938,684	A	8/1999	Lynch et al.	
D413,985	S *	9/1999	Martin et al.	D24/211

D417,008	S *	11/1999	Chien	D24/211
6,010,469	A	1/2000	McAtee	
6,013,042	A	1/2000	Sakai	
D427,318	S *	6/2000	Chen	D24/211
6,146,343	A	11/2000	Stewart	
6,217,121	B1	4/2001	Mollet	
6,241,694	B1	6/2001	Goulding-Thompson et al.	
6,283,929	B1	9/2001	Mjehovic	
6,821,260	B2	11/2004	Fors	
D524,445	S *	7/2006	Liang	D24/214
2002/0049469	A1	4/2002	Chang	
2002/0068888	A1	6/2002	Wang et al.	

* cited by examiner

Primary Examiner—Cathron C Brooks

Assistant Examiner—Melanie Levy

(74) *Attorney, Agent, or Firm*—Knobbe, Martens, Olson &
Bear, LLP

(57) **CLAIM**

The ornamental design for a self-massage tool, as shown and
described.

DESCRIPTION

FIG. 1 is a perspective view of a self-massage tool according
to the new design.

FIG. 2 is a top plan view of the design of FIG. 1.

FIG. 3 is a bottom plan view of the design of FIG. 1.

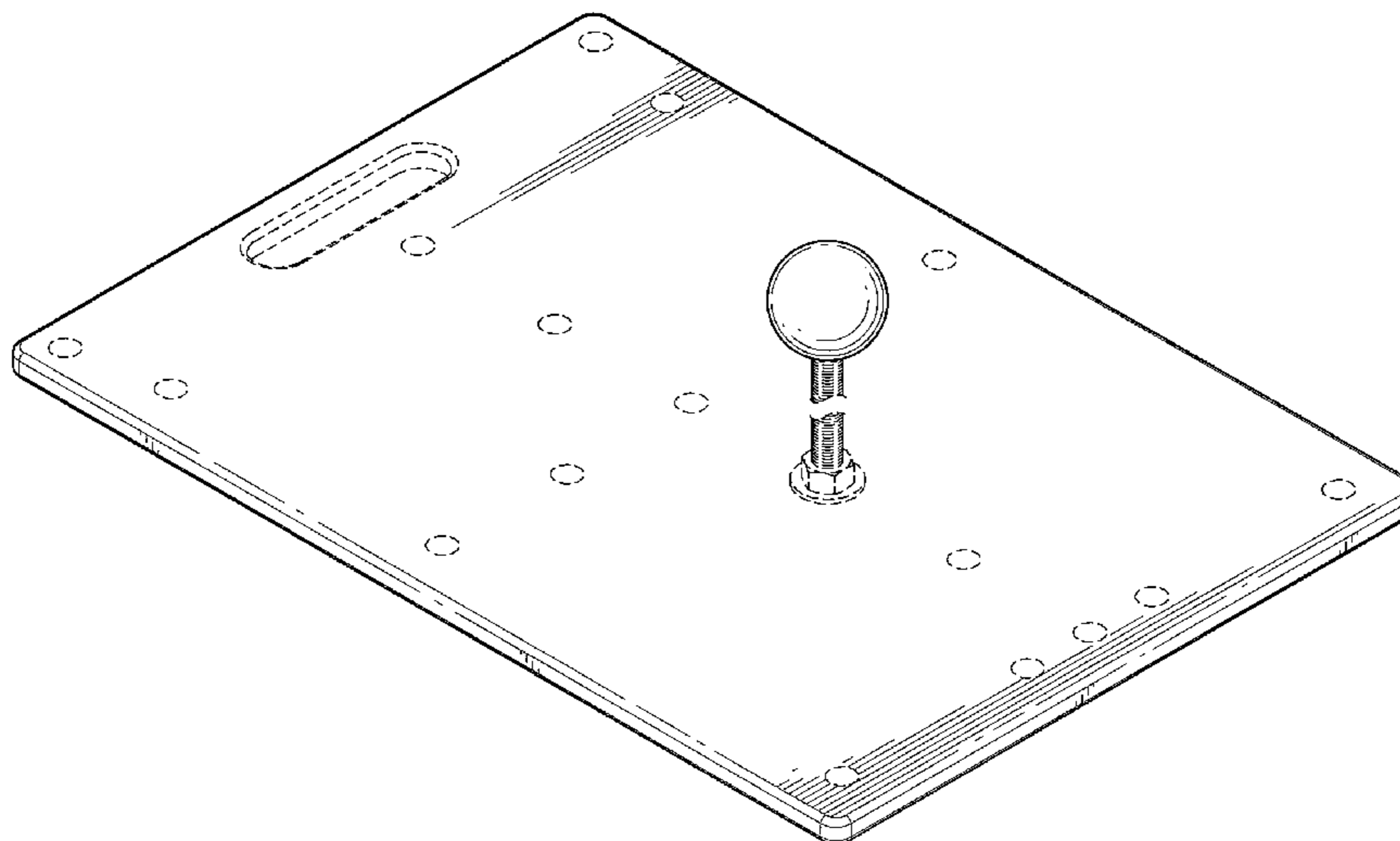
FIG. 4 is a left side elevational view of the design of FIG. 1,
the right side elevational view being a mirror image of that
shown in FIG. 4; and,

FIG. 5 is a front elevational view of the design of FIG. 1, the
rear side elevational view being a mirror image of that shown
in FIG. 5.

All features illustrated in phantom line are expressly dis-
claimed and form no part of the claimed design.

The cylindrical element is shown with a cut away portion to
indicate a non- specified length.

1 Claim, 4 Drawing Sheets



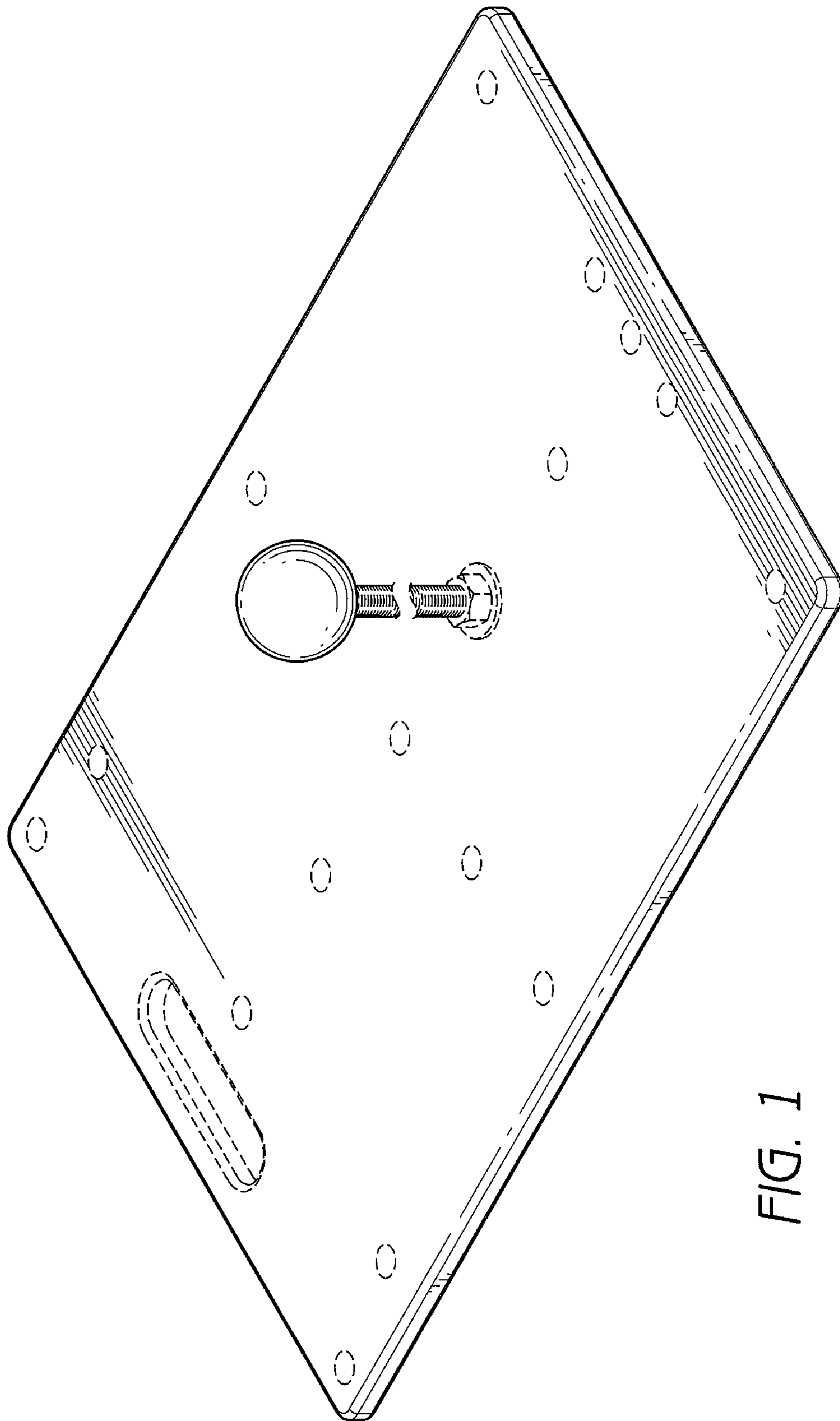


FIG. 1

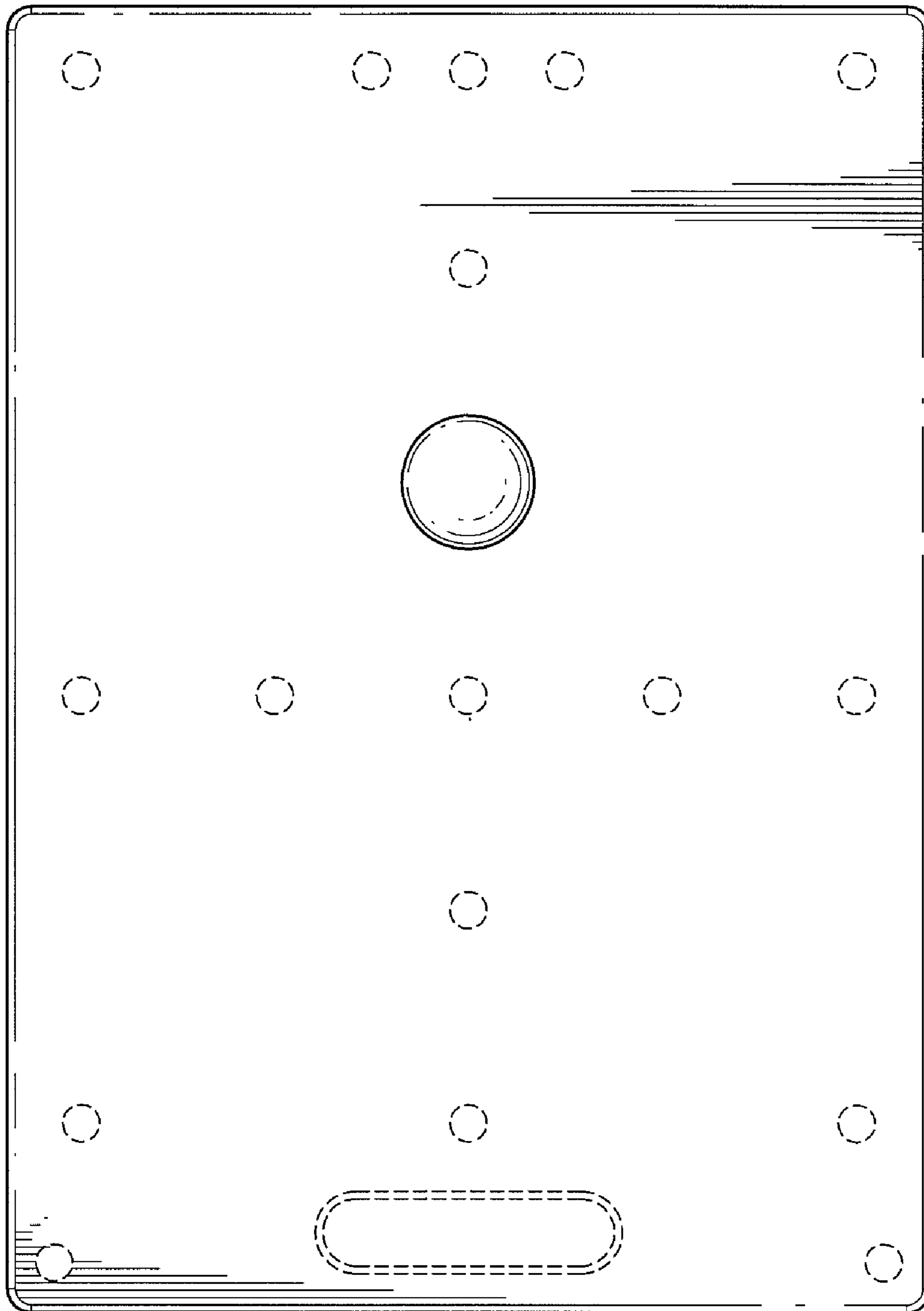


FIG. 2

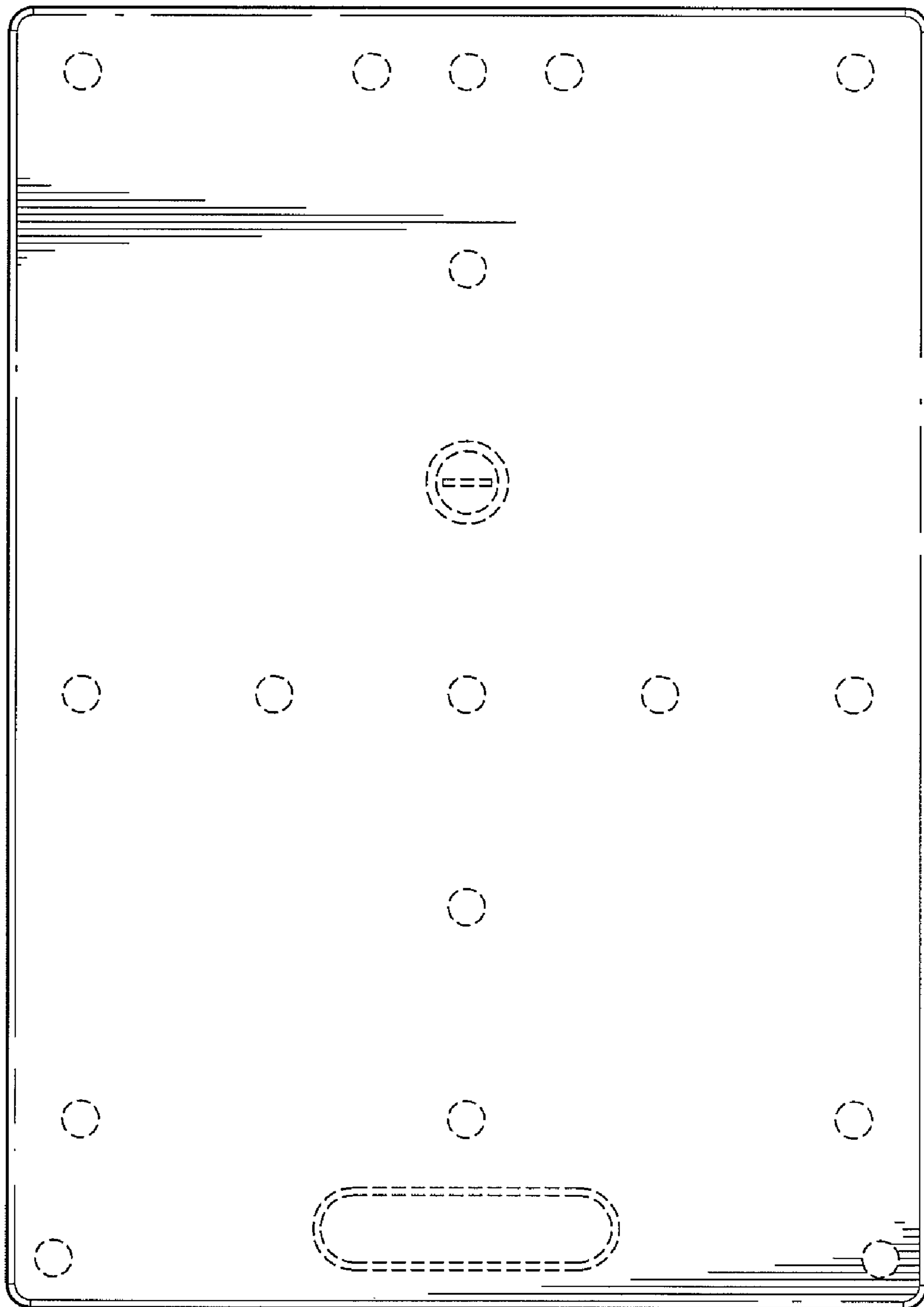


FIG. 3

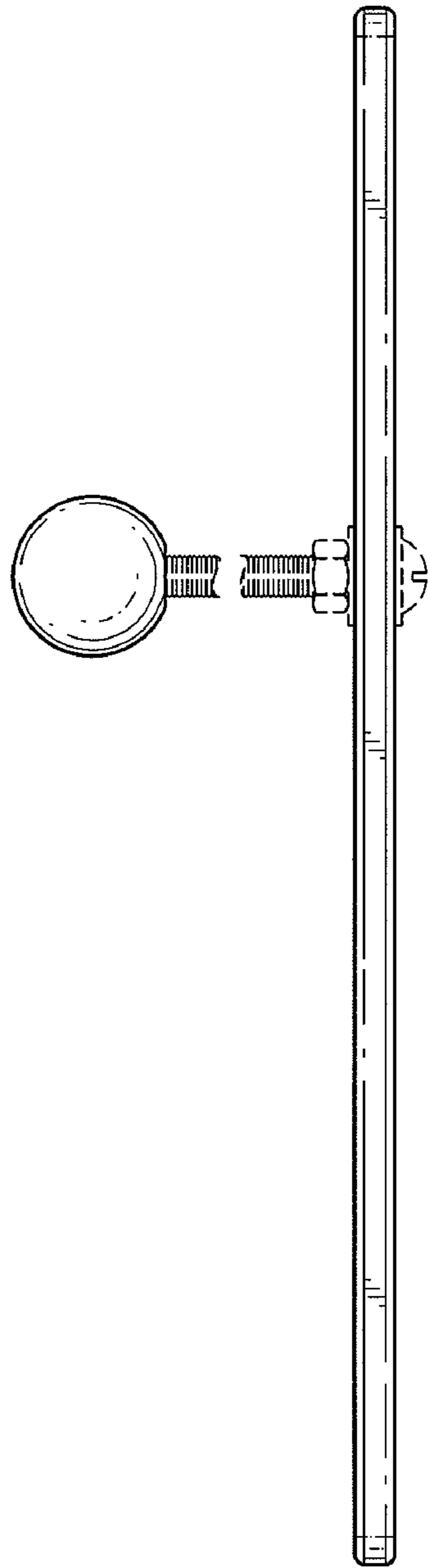


FIG. 4

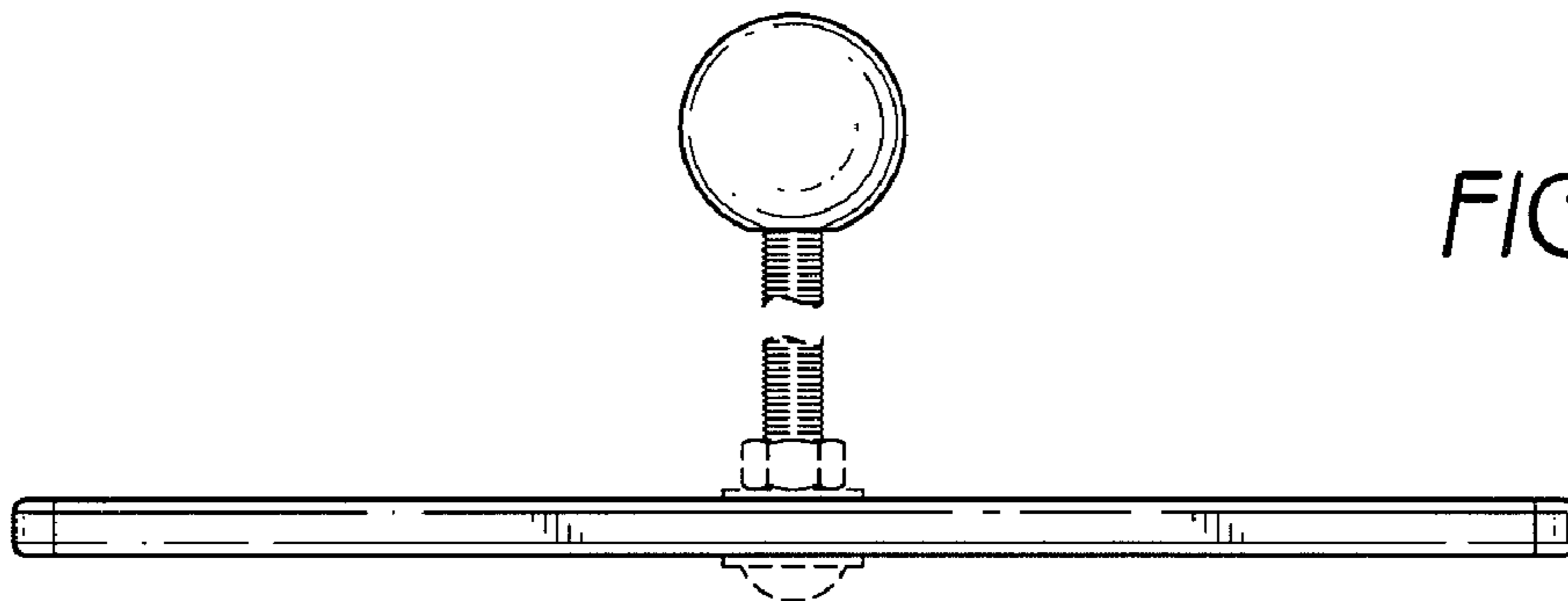


FIG. 5