



US00D586465S

(12) **United States Design Patent**
Faulkner et al.

(10) **Patent No.:** **US D586,465 S**

(45) **Date of Patent:** **** Feb. 10, 2009**

(54) **HANDHELD LANCING DEVICE**

(75) Inventors: **Allan Faulkner**, Avoch (GB); **Nicholas Foley**, Edinburgh (GB); **David Colin Crosland**, Edinburgh (GB); **Matthew James Young**, Edinburgh (GB); **Paul Trickett**, Hamilton (GB)

(73) Assignee: **Lifescan Scotland Limited**, Inverness (GB)

(**) Term: **14 Years**

(21) Appl. No.: **29/317,964**

(22) Filed: **May 9, 2008**

(51) **LOC (9) Cl.** **24-02**

(52) **U.S. Cl.** **D24/146**

(58) **Field of Classification Search** D24/146,
D24/133, 147, 130; 606/182, 181, 183, 184,
606/167; 600/583

See application file for complete search history.

(56) **References Cited**

U.S. PATENT DOCUMENTS

4,462,405 A	7/1984	Ehrlich	
4,469,110 A	9/1984	Slama	
4,709,979 A	12/1987	Spodati et al.	
4,895,147 A	1/1990	Bodicky et al.	
4,976,724 A	12/1990	Nieto et al.	
5,207,699 A	5/1993	Coe	
D342,573 S *	12/1993	Cerola	D24/147
5,324,303 A	6/1994	Strong et al.	
5,350,392 A	9/1994	Purcell et al.	
5,423,847 A	6/1995	Strong et al.	
5,569,286 A	10/1996	Peckham et al.	
5,628,764 A	5/1997	Schraga	
5,868,772 A	2/1999	LeVaughn et al.	

5,913,868 A	6/1999	Marshall et al.	
5,916,229 A	6/1999	Evans	
5,964,718 A	10/1999	Duchon et al.	
5,984,940 A *	11/1999	Davis et al.	606/181
6,080,172 A	6/2000	Fujiwara et al.	
D428,150 S *	7/2000	Ruf et al.	D24/146
6,197,040 B1	3/2001	LeVaughn et al.	
6,364,889 B1	4/2002	Kheiri et al.	

(Continued)

FOREIGN PATENT DOCUMENTS

EP 1035799 B1 1/2005

(Continued)

Primary Examiner—Ian Simmons

Assistant Examiner—Christopher Lee

(74) *Attorney, Agent, or Firm*—Lois A. Gianneschi

(57) **CLAIM**

We claim the ornamental design for a handheld lancing device, as shown and described.

DESCRIPTION

FIG. 1 is one perspective view of the handheld lancing device, as seen with a lancet projecting from one end;

FIG. 2 is another perspective of handheld lancing device as seen with the lancet end facing away;

FIG. 3 is a front elevational view thereof;

FIG. 4 is a rear elevational view thereof;

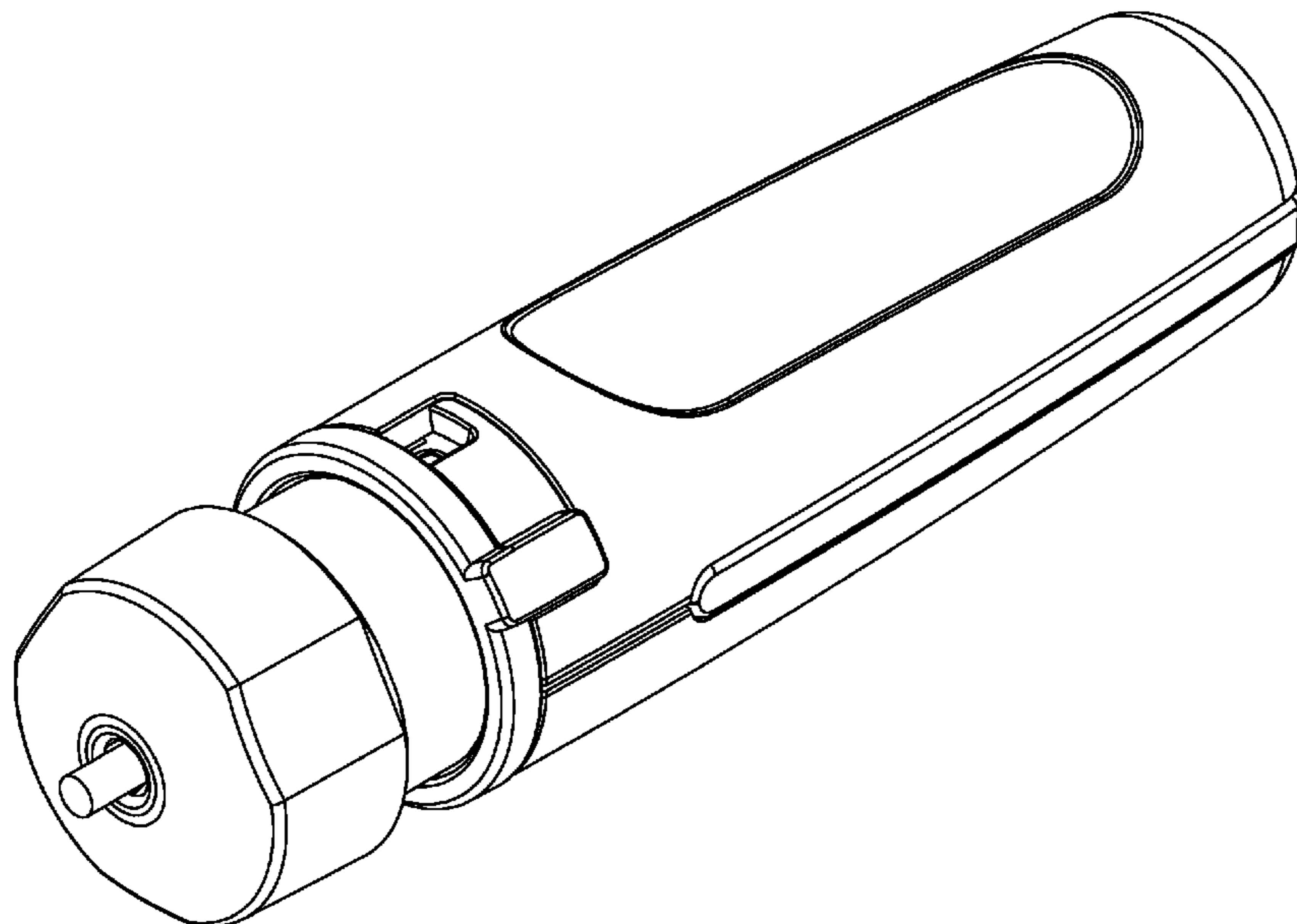
FIG. 5 is a top plan view thereof;

FIG. 6 is a bottom plan view thereof;

FIG. 7 is a side elevational view thereof; and,

FIG. 8 is another side elevational view thereof.

1 Claim, 4 Drawing Sheets



US D586,465 S

Page 2

U.S. PATENT DOCUMENTS

6,491,709	B2	12/2002	Sharma et al.	
6,558,402	B1	5/2003	Chelak et al.	
6,723,111	B2	4/2004	Abulhaj et al.	
D493,532	S *	7/2004	Levaughn et al.	D24/146
6,837,858	B2	1/2005	Cunningham et al.	
6,840,912	B2	1/2005	Kloepfer et al.	
6,929,650	B2	8/2005	Fukuzawa et al.	
6,949,111	B2	9/2005	Schrage	
7,015,782	B2	3/2006	Kincaid et al.	
7,025,774	B2	4/2006	Freeman et al.	
7,033,371	B2	4/2006	Alden et al.	
7,041,068	B2	5/2006	Freeman et al.	
7,087,068	B1	8/2006	Marshall et al.	
7,105,006	B2 *	9/2006	Shrage	606/182
7,153,318	B2	12/2006	Marshall et al.	
7,175,642	B2	2/2007	Briggs et al.	
7,229,458	B2	6/2007	Boecker et al.	
7,244,265	B2	7/2007	Freeman et al.	
D550,363	S *	9/2007	Hannant et al.	D24/186
D560,805	S *	1/2008	Young et al.	D24/146
D562,981	S *	2/2008	Trissel et al.	D24/147
7,344,507	B2	3/2008	Briggs et al.	
D567,938	S *	4/2008	Shinohara	D24/114
2003/0187470	A1	10/2003	Chefak et al.	
2003/0199900	A1	10/2003	Boecker et al.	
2003/0199902	A1	10/2003	Boecker et al.	
2003/0199910	A1	10/2003	Boecker et al.	
2003/0212424	A1	11/2003	Briggs et al.	
2004/0267229	A1	12/2004	Moerman et al.	
2005/0125017	A1	6/2005	Kudma et al.	
2005/0125019	A1	6/2005	Kudma et al.	
2005/0159768	A1 *	7/2005	Boehm et al.	606/182
2005/0234492	A1	10/2005	Tsai et al.	
2005/0253781	A1	11/2005	Kim et al.	
2005/0256534	A1	11/2005	Alden et al.	
2006/0015129	A1	1/2006	Shahrokni et al.	
2006/0041234	A1	2/2006	Wang	
2006/0052809	A1	3/2006	Karbowniczek et al.	
2006/0052810	A1	3/2006	Freeman et al.	
2006/0085020	A1	4/2006	Freeman et al.	
2006/0100656	A1	5/2006	Olson et al.	

2006/0161194	A1	7/2006	Freeman et al.	
2006/0167382	A1	7/2006	Deshmukh	
2006/0175216	A1	8/2006	Freeman et al.	
2006/0178687	A1	8/2006	Freeman et al.	
2006/0178688	A1	8/2006	Freeman et al.	
2006/0178689	A1	8/2006	Freeman et al.	
2006/0178690	A1	8/2006	Freeman et al.	
2006/0195047	A1	8/2006	Freeman et al.	
2006/0195129	A1	8/2006	Freeman et al.	
2006/0195130	A1	8/2006	Freeman et al.	
2006/0195131	A1	8/2006	Freeman et al.	
2006/0195132	A1	8/2006	Freeman et al.	
2006/0195133	A1	8/2006	Freeman et al.	
2006/0241667	A1	10/2006	Freeman et al.	
2006/0247671	A1	11/2006	LeVaughn	
2007/0032813	A1	2/2007	Flynn et al.	
2007/0038149	A1	2/2007	Calasso et al.	
2007/0043386	A1	2/2007	Freeman et al.	
2007/0055297	A1	3/2007	Fukuzawa	
2007/0064516	A1	3/2007	Briggs et al.	
2007/0066938	A1	3/2007	Iio et al.	
2007/0083222	A1	3/2007	Fukuzawa	
2007/0123802	A1	5/2007	Freeman et al.	
2007/0173743	A1	7/2007	Freeman et al.	
2007/0173875	A1	7/2007	Uschold	
2007/0173876	A1	7/2007	Aylett	
2007/0191737	A1	8/2007	Freeman et al.	
2007/0255300	A1	11/2007	Vanhiel	
2008/0039885	A1	2/2008	Purcell	
2008/0058631	A1 *	3/2008	Draudt et al.	600/385
2008/0082117	A1	4/2008	Ruf	

FOREIGN PATENT DOCUMENTS

EP	1101443	B1	2/2005
EP	1292215	B1	5/2005
EP	946122	B1	6/2005
JP	5095937		4/1993
JP	0253781		9/2005
WO	WO 2006/116441	A1	11/2006
WO	WO 2006/132504	A1	12/2006
WO	WO 2007/006399	A1	1/2007

* cited by examiner

FIG. 1

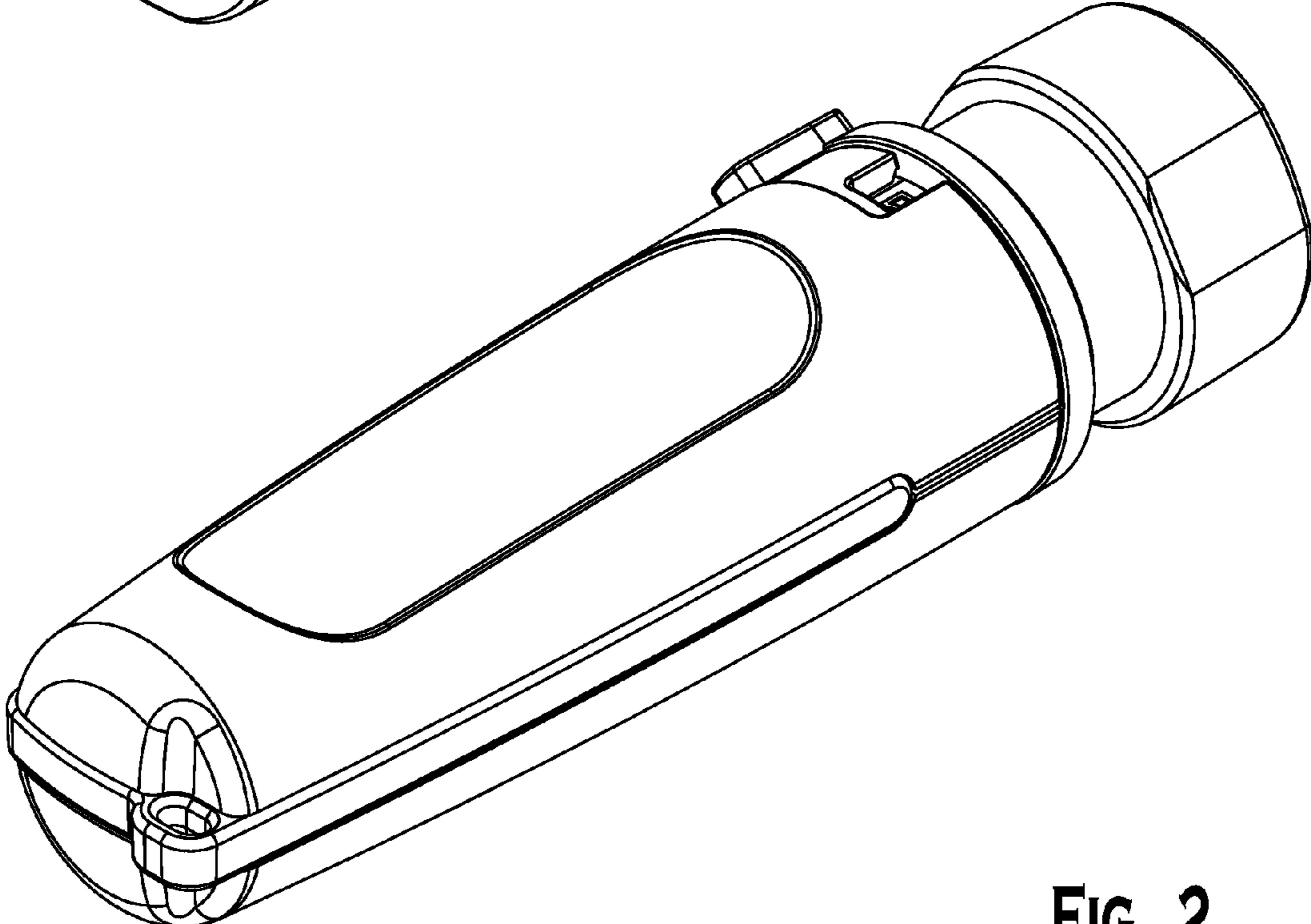
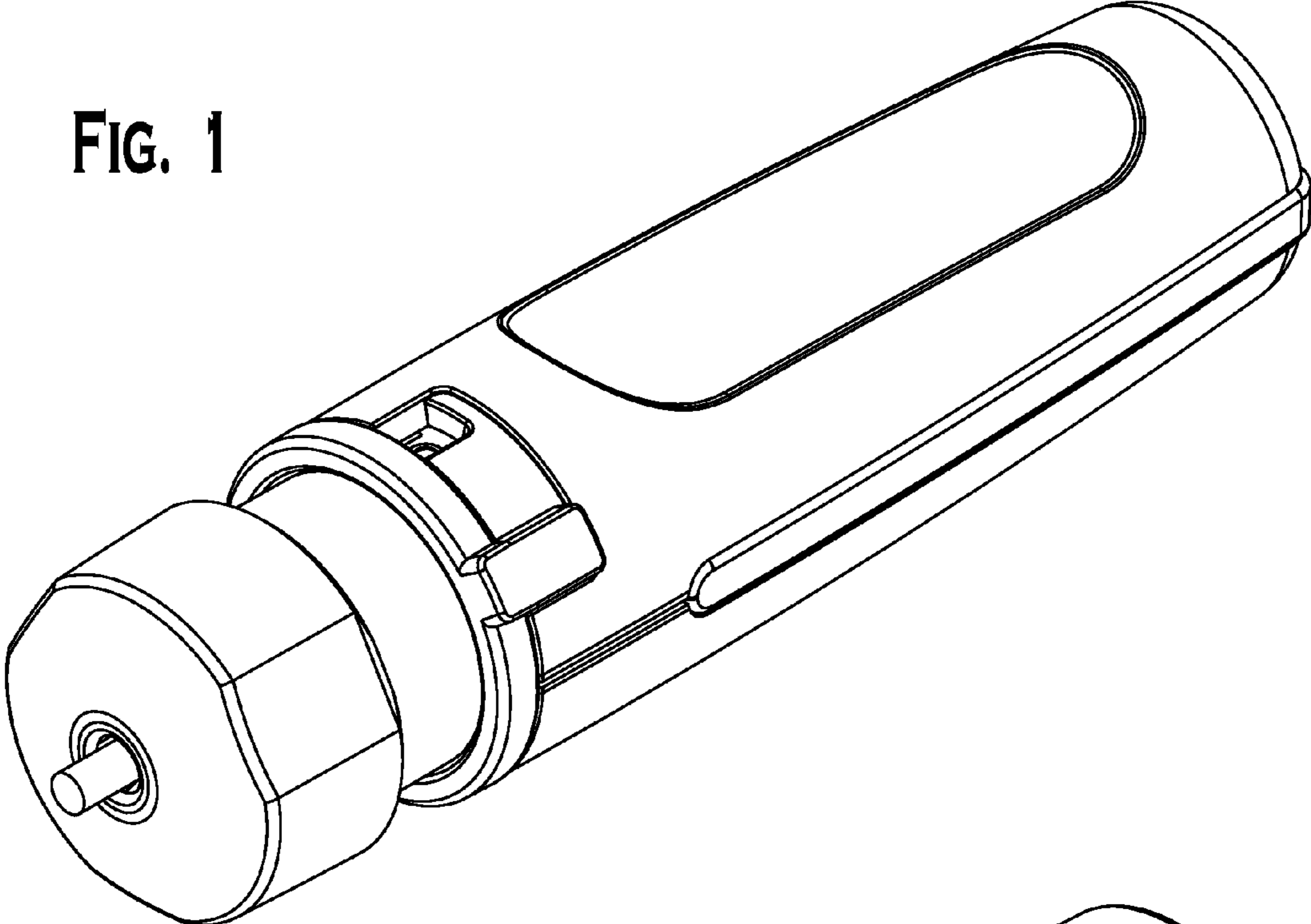


FIG. 2

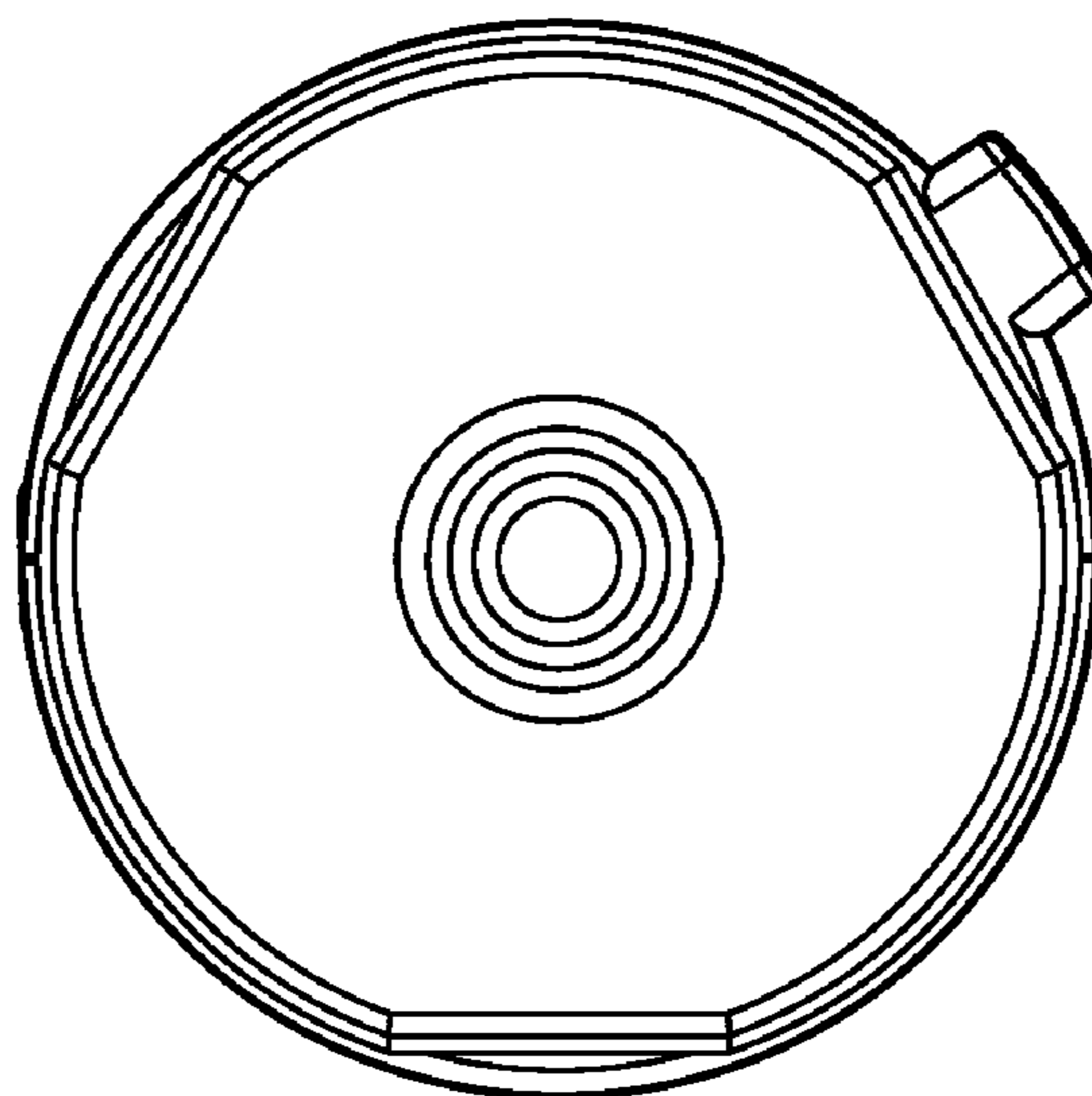


FIG. 3

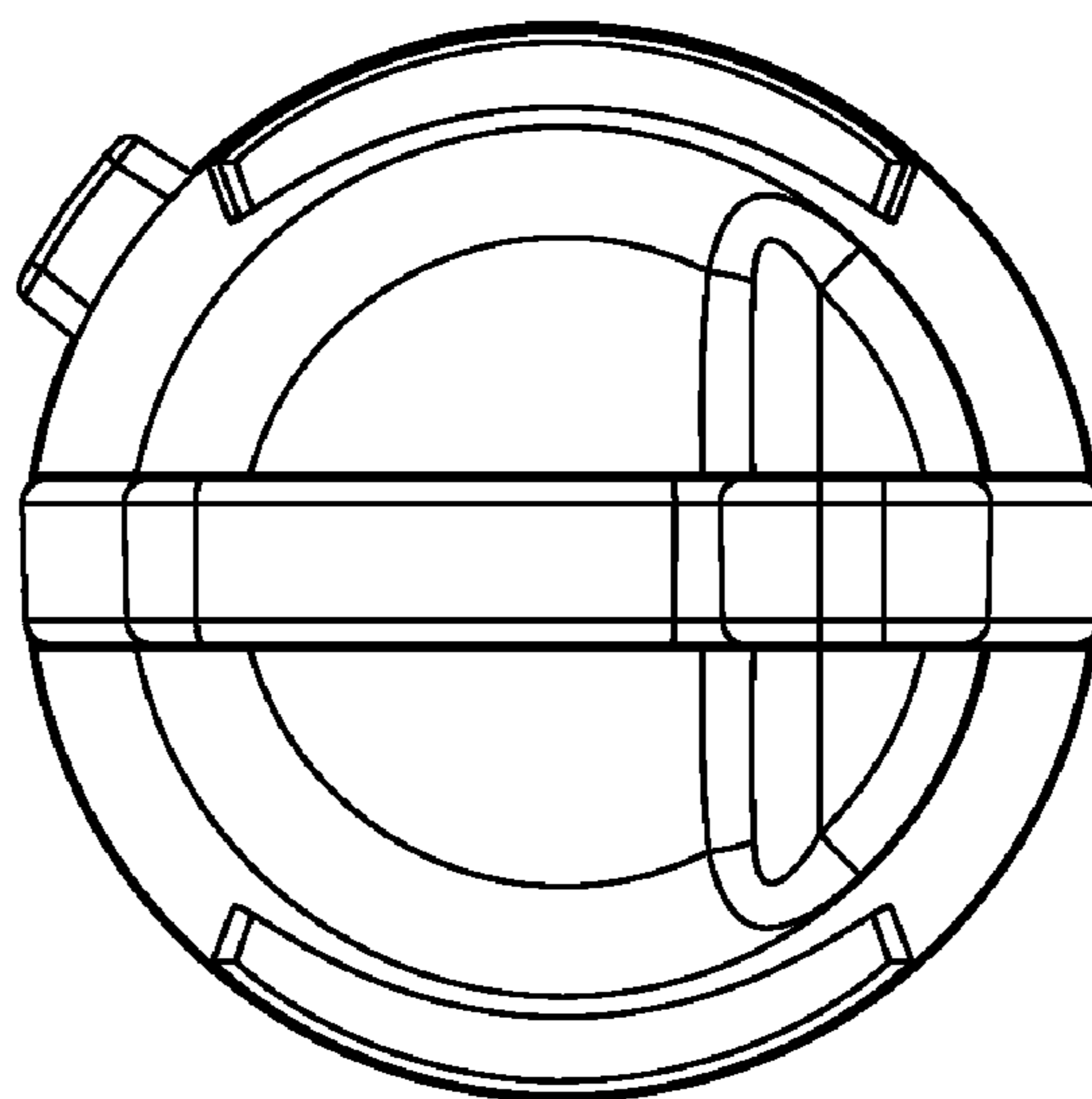


FIG. 4

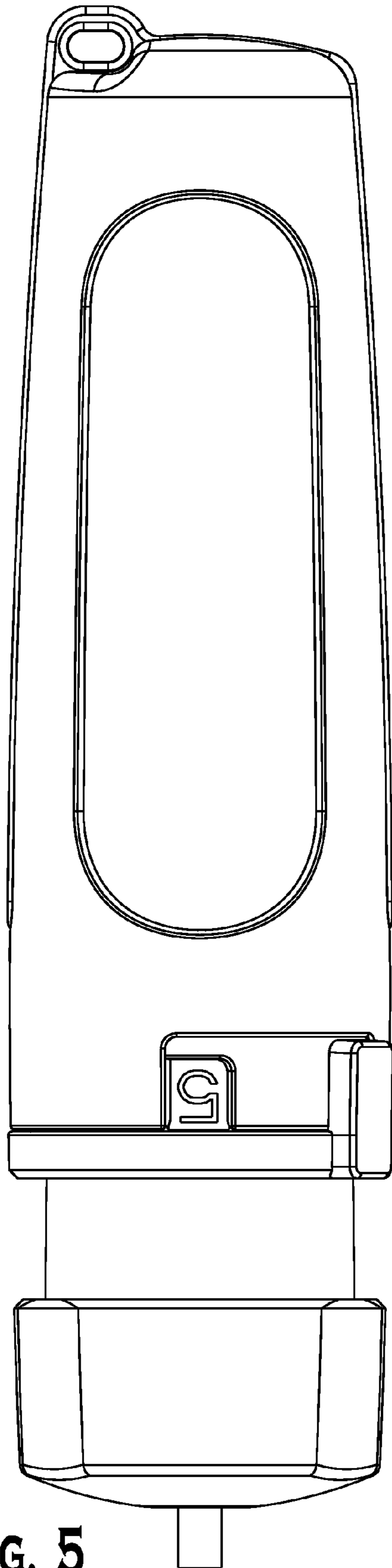


FIG. 5

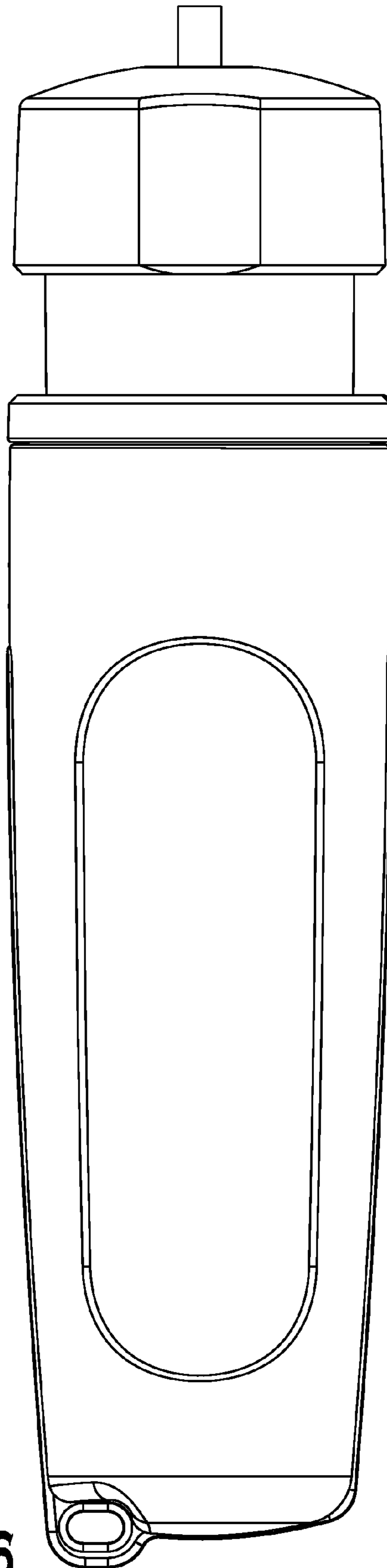


FIG. 6

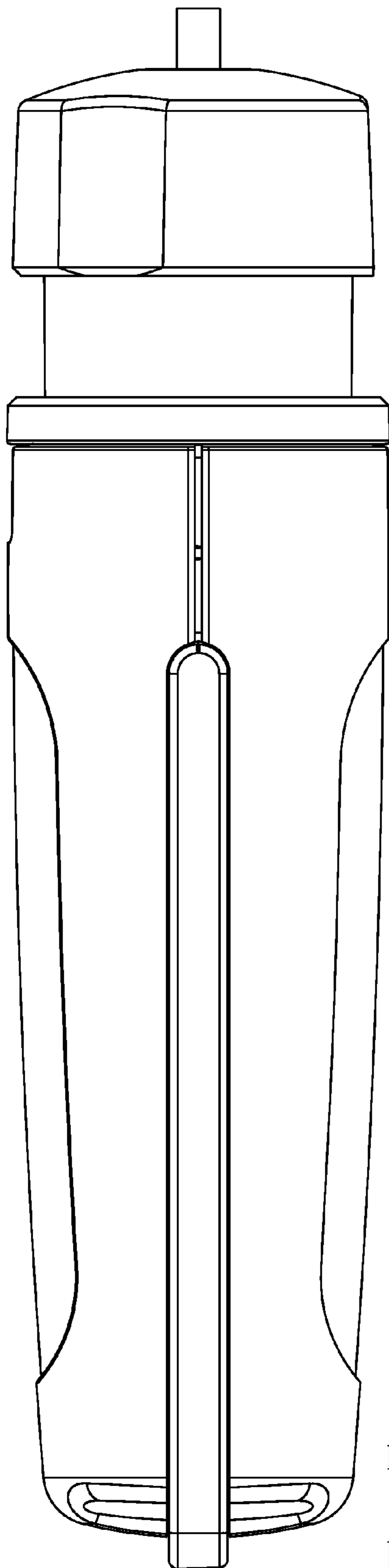


FIG. 7

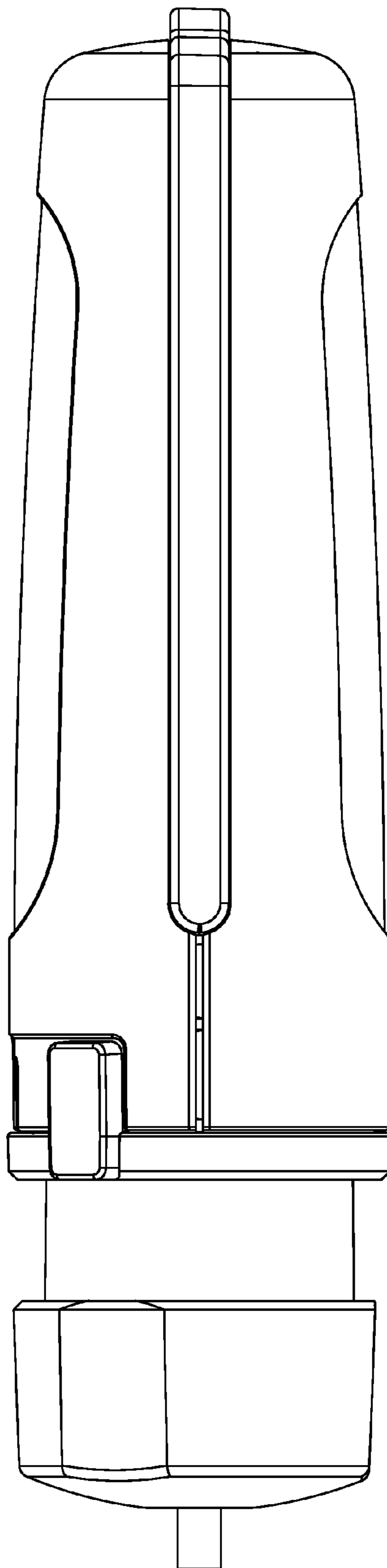


FIG. 8