



US00D586464S

(12) **United States Design Patent**
Cummings et al.

(10) **Patent No.:** **US D586,464 S**

(45) **Date of Patent:** **** Feb. 10, 2009**

(54) **EPIDURAL CATHETER FIXATION DEVICE**

(75) Inventors: **Edward A. Cummings**, Armagh (GB);
James E. Southwell, Brockworth (GB)

(73) Assignee: **Unomedical Limited**, Worcestershire
(GB)

(**) Term: **14 Years**

(21) Appl. No.: **29/282,522**

(22) Filed: **Jul. 23, 2007**

Related U.S. Application Data

(63) Continuation-in-part of application No. 29/225,593,
filed on Mar. 17, 2005, now abandoned.

(51) **LOC (9) Cl.** **24-02**

(52) **U.S. Cl.** **D24/128**

(58) **Field of Classification Search** D24/127–128,
D24/169, 189; 128/DIG. 28, 858; 602/6,
602/46, 54, 58–59; 604/80, 174, 177, 179,
604/180, 251; 605/151, 157

See application file for complete search history.

(56) **References Cited**

U.S. PATENT DOCUMENTS

3,880,159	A *	4/1975	Diamond	602/58
5,380,294	A *	1/1995	Persson	604/180
D404,815	S *	1/1999	Bierman	D24/128
6,273,873	B1 *	8/2001	Fleischer	604/174
6,841,715	B2 *	1/2005	Roberts	602/54
7,172,615	B2 *	2/2007	Morriss et al.	606/215

D555,788	S *	11/2007	Southwell et al.	D24/128
7,317,134	B2 *	1/2008	Faasse, Jr.	602/57
2006/0184128	A1 *	8/2006	Bierman	604/180
2007/0049871	A1 *	3/2007	Fleischer	604/180
2007/0060892	A1 *	3/2007	Propp	604/180
2007/0149930	A1 *	6/2007	Bierman	604/174

* cited by examiner

Primary Examiner—Louis S Zarfaz

Assistant Examiner—Eric L Goodman

(74) *Attorney, Agent, or Firm*—Klein, O’Neill & Singh, LLP

(57) **CLAIM**

The ornamental design for an epidural catheter fixation device, as shown.

DESCRIPTION

FIG. 1 is a top plan view of an epidural catheter fixation device, in accordance with our new design;

FIG. 2 is a side elevational view of the epidural catheter fixation device of FIG. 1, taken from the bottom of FIG. 1;

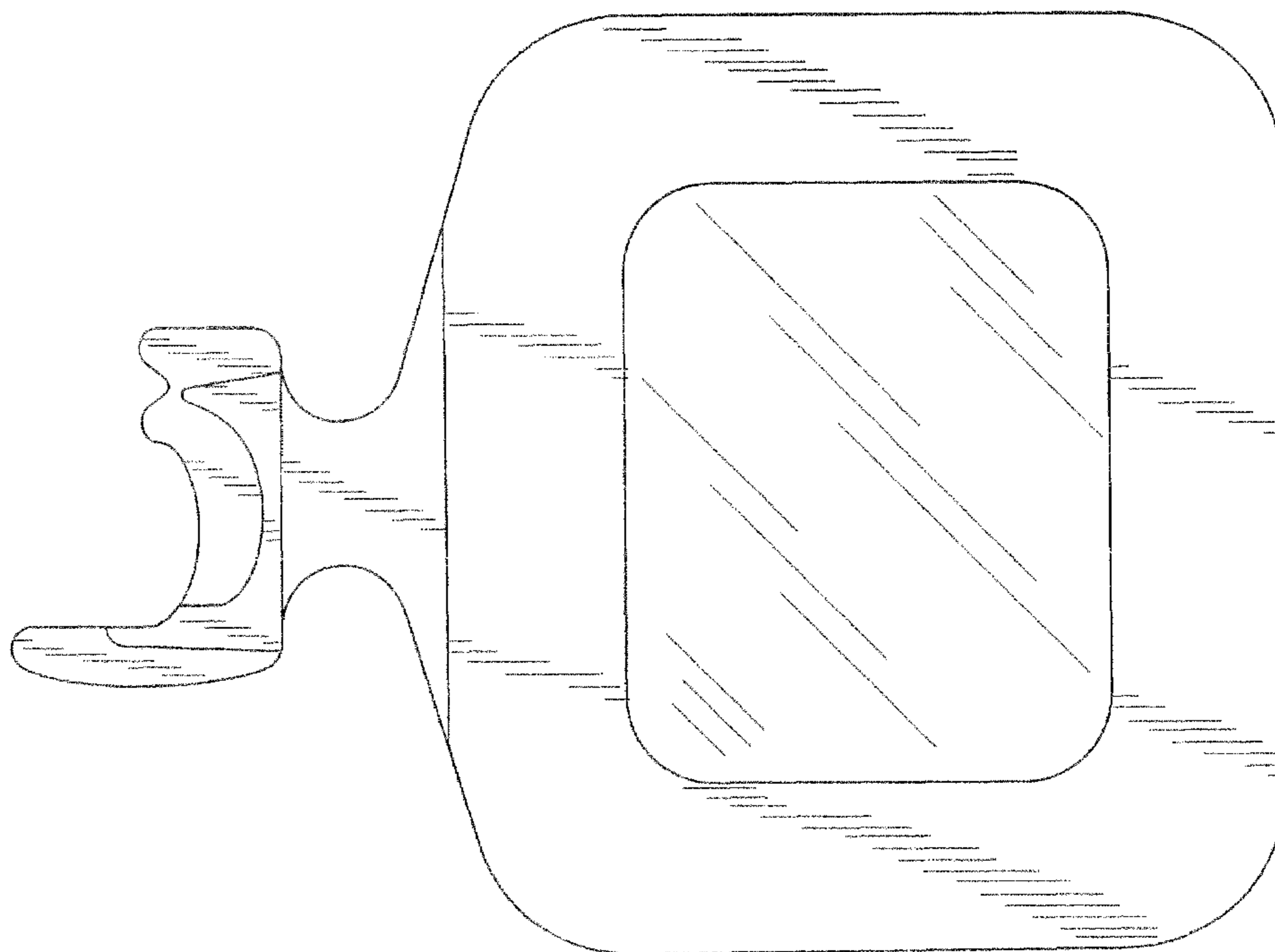
FIG. 3 is a side elevational view of the epidural catheter fixation device of FIG. 1, taken from the top of FIG. 1;

FIG. 4 is a front elevational view of the epidural catheter fixation device of FIG. 1, taken from the left side of FIG. 1;

FIG. 5 is a rear elevational view of the epidural catheter fixation device of FIG. 1, taken from the right side of FIG. 1; and,

FIG. 6 is a bottom plan view of the epidural catheter fixation device of FIG. 1.

1 Claim, 4 Drawing Sheets



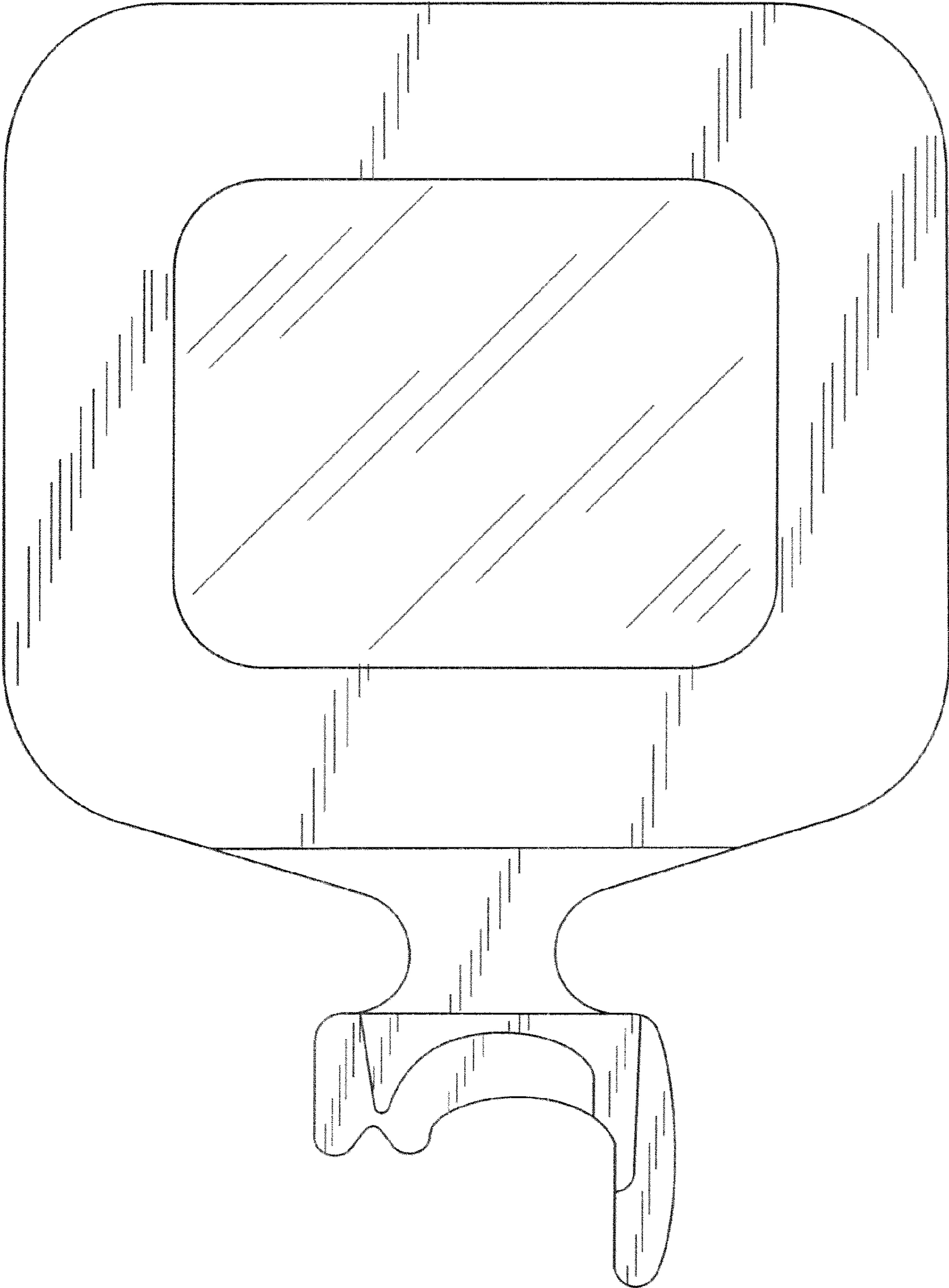


FIG. 1



FIG. 2

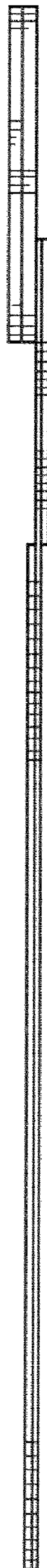


FIG. 3

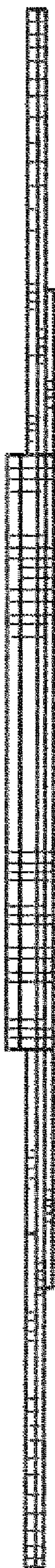


FIG. 4



FIG. 5

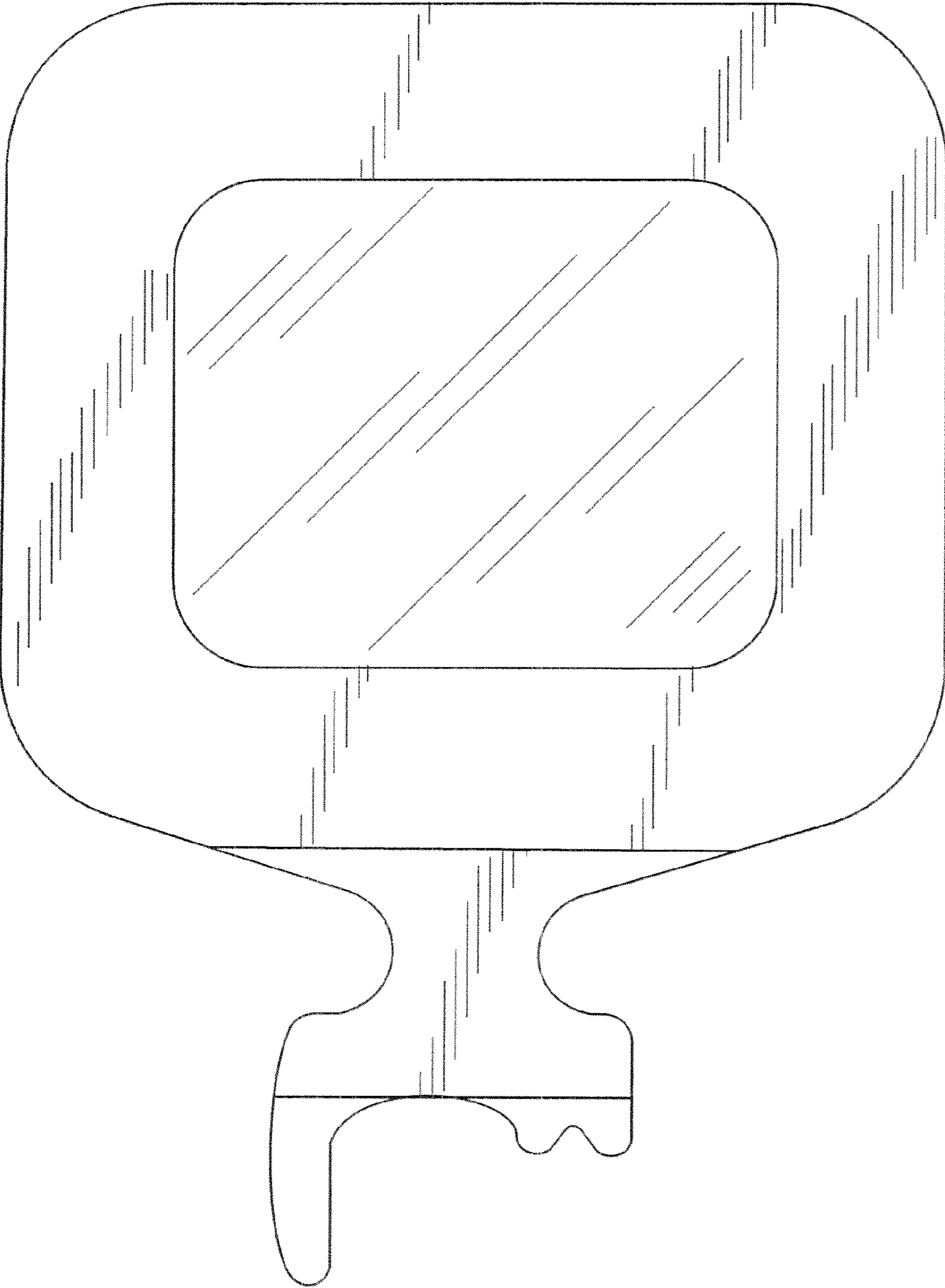


FIG. 6