



US00D586462S

(12) **United States Design Patent**  
**Gunaratnam et al.**

(10) **Patent No.:** **US D586,462 S**  
(45) **Date of Patent:** **\*\* Feb. 10, 2009**

- (54) **PORTS CAP FOR RESPIRATORY MASK**
- (75) Inventors: **Michael K. Gunaratnam**, Marsfield (AU); **Amal S. Amarasinghe**, West Pennant Hills (AU)
- (73) Assignee: **ResMed Limited**, Bella Vista (AU)

- 4,944,310 A 7/1990 Sullivan
- 5,042,478 A 8/1991 Kopala et al.
- 5,233,978 A 8/1993 Callaway
- 5,243,971 A 9/1993 Sullivan et al.
- 5,311,862 A 5/1994 Blasdel et al.
- 5,375,593 A 12/1994 Press
- 5,425,359 A 6/1995 Liou

(Continued)

- (\*\*) Term: **14 Years**
- (21) Appl. No.: **29/290,455**
- (22) Filed: **Dec. 7, 2007**

**FOREIGN PATENT DOCUMENTS**

DE 297 00 093 3/1997

(Continued)

**OTHER PUBLICATIONS**

U.S. Appl. No. 29/183,802, filed Jun. 18, 2003.

(Continued)

*Primary Examiner*—Ian Simmons  
*Assistant Examiner*—Christopher Lee  
(74) *Attorney, Agent, or Firm*—Nixon & Vanderhye P.C.

**Related U.S. Application Data**

- (63) Continuation of application No. 29/262,731, filed on Jul. 11, 2006, now Pat. No. Des. 557,412, which is a continuation of application No. 29/183,802, filed on Jun. 18, 2003, now Pat. No. Des. 548,333, which is a continuation-in-part of application No. 10/162,234, filed on Jun. 5, 2002, which is a continuation of application No. 09/504,234, filed on Feb. 15, 2000, now Pat. No. 6,439,230, which is a continuation-in-part of application No. 29/115,618, filed on Dec. 16, 1999, now Pat. No. Des. 443,355.

(57) **CLAIM**

The ornamental design for a ports cap for respiratory mask, as shown and described.

**Foreign Application Priority Data**

- (30) Jun. 18, 1999 (AU) ..... 1916/1999
- Jun. 18, 1999 (AU) ..... PQ 1040
- (51) **LOC (9) Cl.** ..... **29-02**
- (52) **U.S. Cl.** ..... **D24/110.5**
- (58) **Field of Classification Search** ..... D24/110.1,  
D24/110.5; 128/207.13, 207.17, 204.18,  
128/204.23

**DESCRIPTION**

FIG. 1 is a front perspective view of a ports cap for a respiratory mask according to an embodiment of our design; FIG. 2 is a front view thereof; FIG. 3 is a rear view thereof; FIG. 4 is a bottom view thereof; and, FIG. 5 is a right side view thereof, with the left side view being a mirror image thereof.

See application file for complete search history.

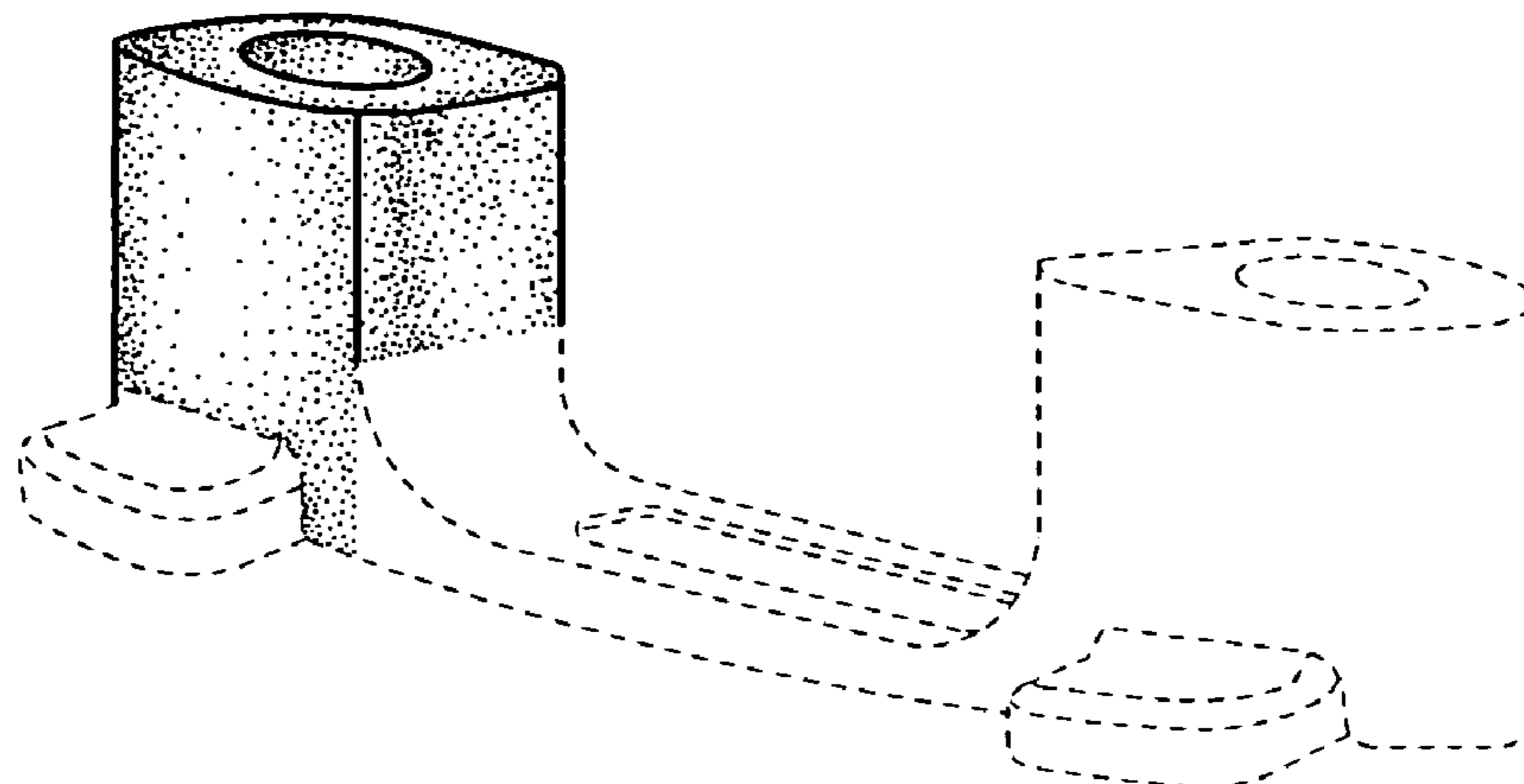
Where included, broken lines showing environment or structure are for illustrative purposes only and form no part of the claimed design. Where included, dotted lines represent the border between claimed and non-claimed subject matter and form no part of the claimed design.

(56) **References Cited**

**U.S. PATENT DOCUMENTS**

- 718,785 A 1/1903 McNary
- 4,231,363 A 11/1980 Grimes
- 4,807,617 A 2/1989 Nesti

**1 Claim, 2 Drawing Sheets**



# US D586,462 S

Page 2

---

## U.S. PATENT DOCUMENTS

5,429,683 A 7/1995 Le Mitouard  
5,474,063 A 12/1995 Riendeau  
5,542,128 A 8/1996 Lomas  
5,662,101 A 9/1997 Ogden et al.  
5,682,881 A 11/1997 Winthrop et al.  
5,687,715 A 11/1997 Landis et al.  
5,724,965 A 3/1998 Handke et al.  
5,865,174 A 2/1999 Kloeppe  
5,918,598 A 7/1999 Belfer et al.  
5,975,077 A 11/1999 Hofstetter et al.  
D419,670 S 1/2000 Pollard  
6,044,844 A 4/2000 Kwok et al.  
6,196,223 B1 3/2001 Belfer et al.  
D443,355 S 6/2001 Gunaratnam et al.

6,354,293 B1 3/2002 Madison  
6,439,230 B1 8/2002 Gunaratnam et al.  
6,478,026 B1 11/2002 Wood  
D557,412 S 12/2007 Gunaratnam et al.  
2002/0157672 A1 10/2002 Gunaratnam et al.

## FOREIGN PATENT DOCUMENTS

FR 02766723 2/1999  
GB 649689 1/1951

## OTHER PUBLICATIONS

Brochure for "Ultra Mirage Mask—Mask Fitting Guide", Ref. No. 101412/2 00 04, 2000, 1 page.

Brochure for "Ultra Mirage Mask—Ultra Convenient, Ultra Comfortable, Ultra Quiet", Ref. No. 101375/1 00 02, 2000, 4 pages.

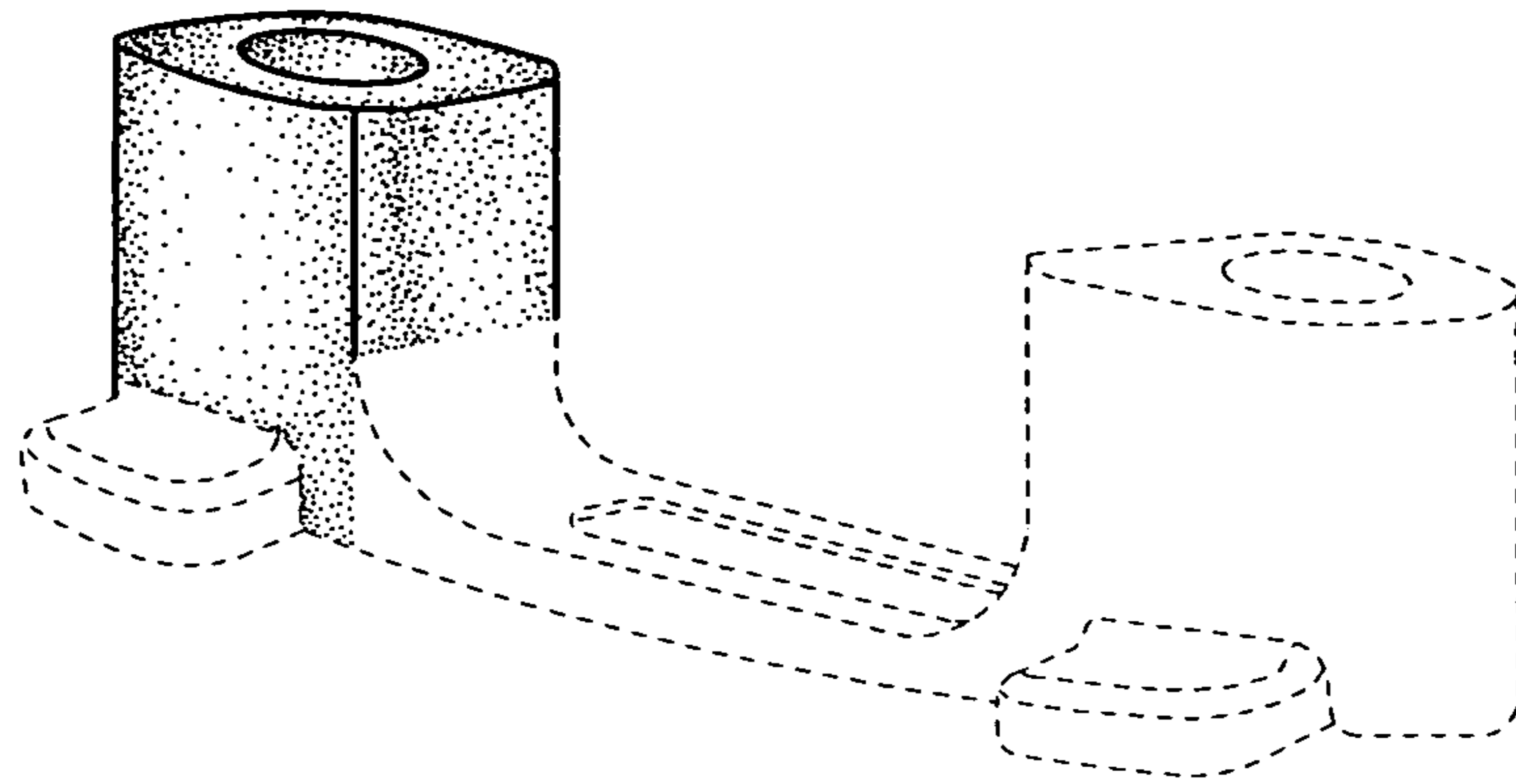


FIG. 1

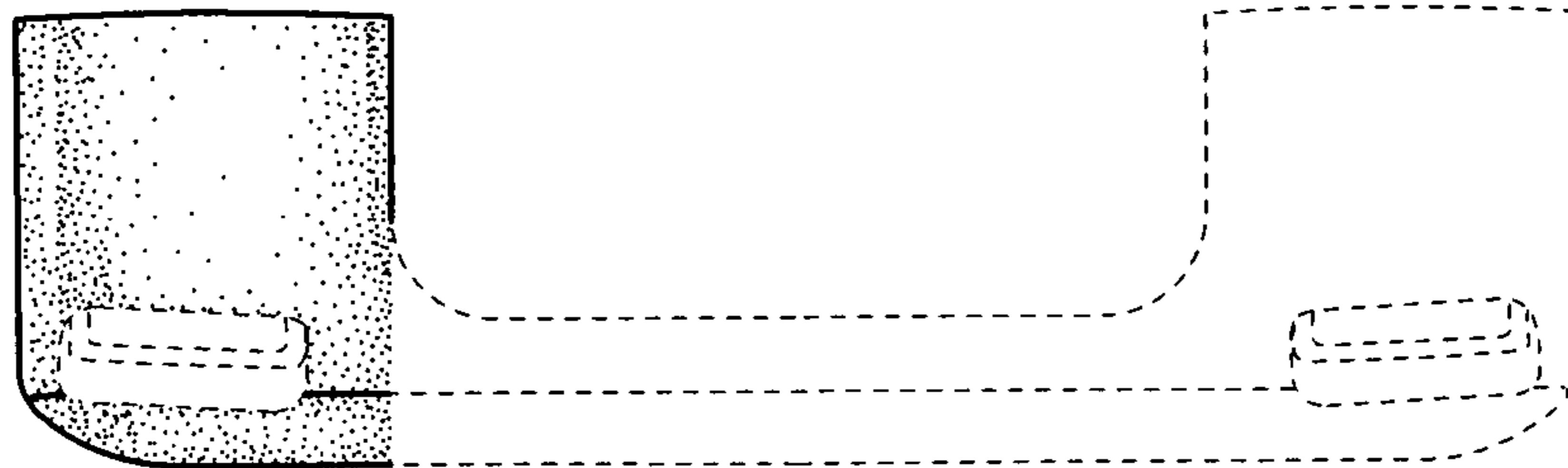


FIG. 2

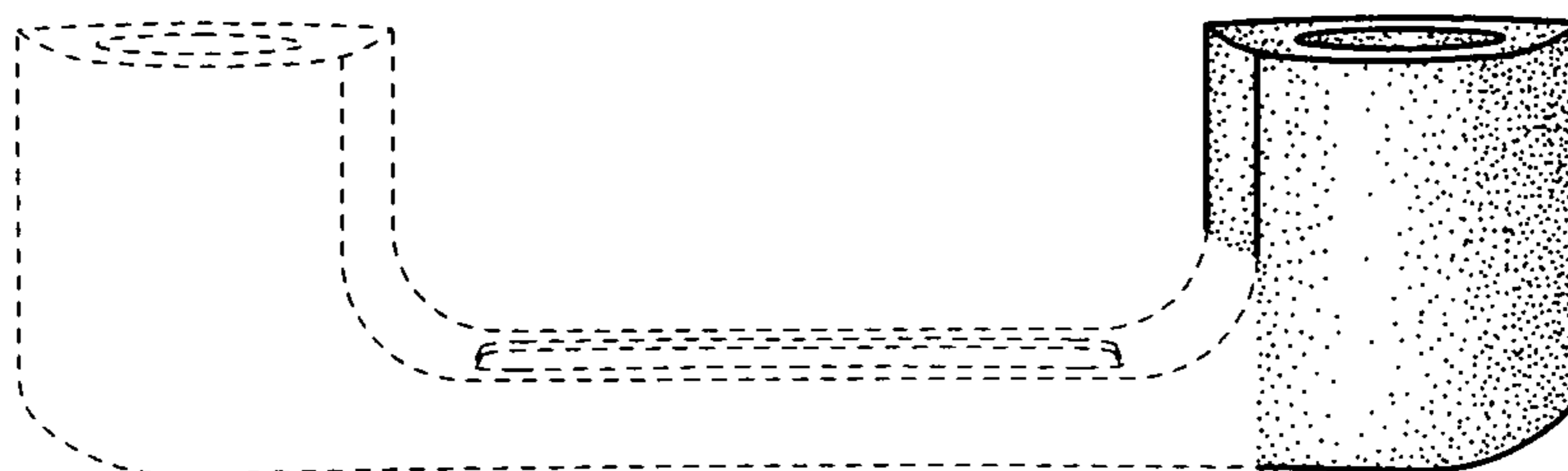
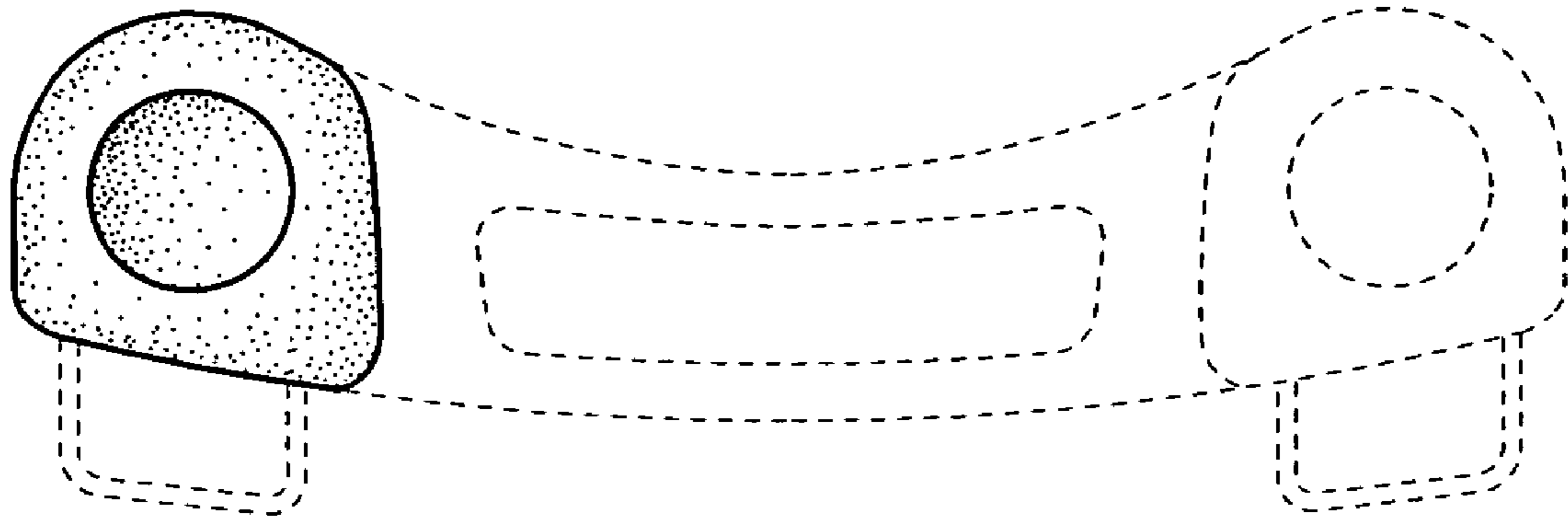
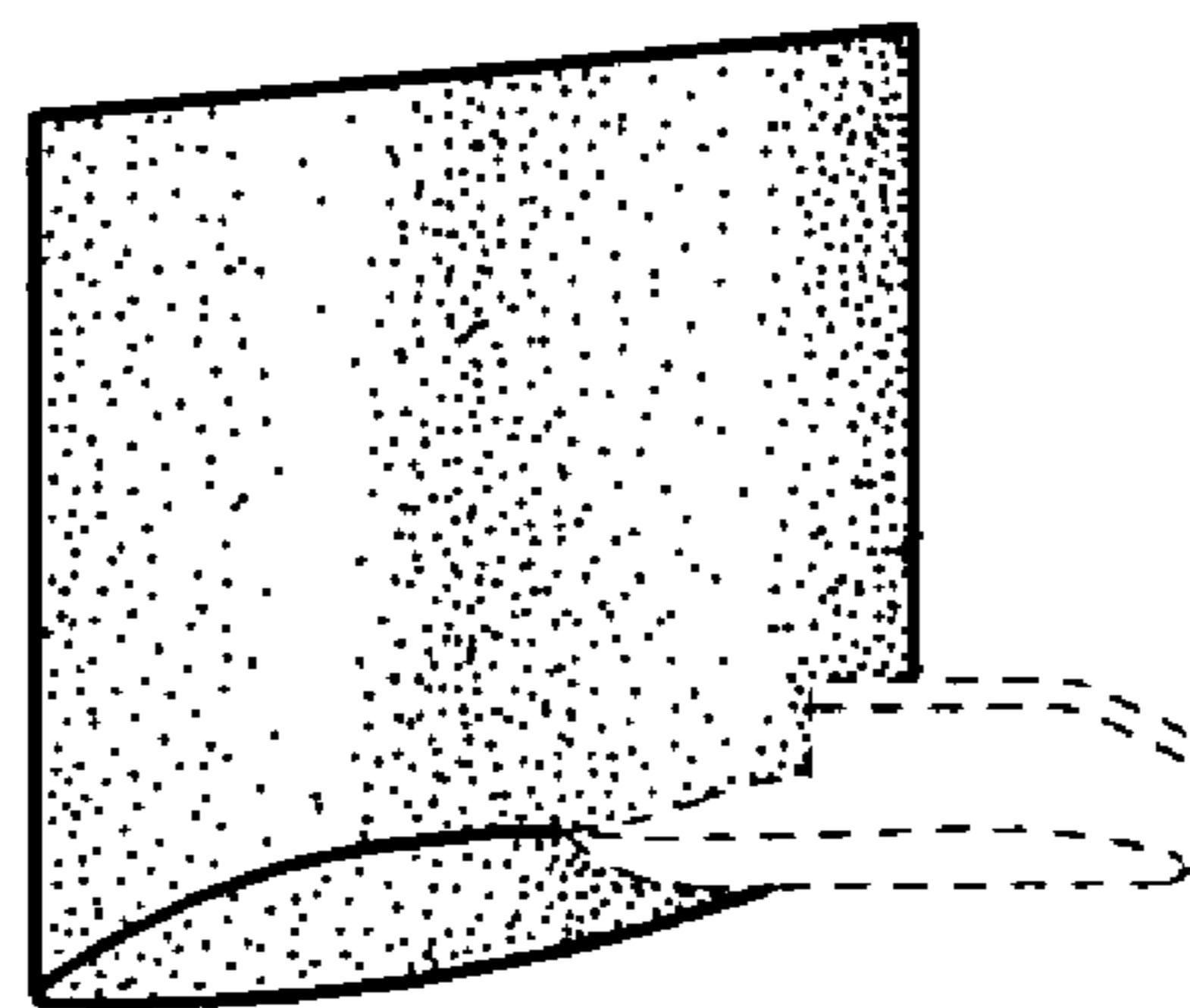


FIG. 3



**FIG. 4**



**FIG. 5**