



US00D586460S

(12) **United States Design Patent**
Guney et al.

(10) **Patent No.:** **US D586,460 S**

(45) **Date of Patent:** **** Feb. 10, 2009**

(54) **MASK FRAME**

(75) Inventors: **Memduh Guney**, Killara (AU); **Perry D. Lithgow**, Glenwood (AU); **Timothy Tsun-Fai Fu**, Carlingford (AU); **Jim Saada**, Kellyville (AU)

(73) Assignee: **ResMed Limited**, Bella Vista (AU)

(**) Term: **14 Years**

(21) Appl. No.: **29/290,527**

(22) Filed: **Dec. 13, 2007**

D382,341 S	8/1997	Freund
5,921,239 A	7/1999	McCall et al.
D428,139 S	7/2000	Smart
D443,355 S	6/2001	Gunaratnam et al.
6,374,826 B1	4/2002	Gunaratnam et al.
D457,622 S	5/2002	Kopacko et al.
D459,800 S	7/2002	Smart
D464,427 S	10/2002	Smart
D468,421 S	1/2003	Smart
6,581,594 B1	6/2003	Drew et al.
D486,907 S	2/2004	Guney et al.
D495,797 S	9/2004	Guney et al.
6,860,269 B2	3/2005	Kwok et al.
D516,715 S	3/2006	Guney et al.

Related U.S. Application Data

(60) Continuation of application No. 29/242,404, filed on Nov. 10, 2005, now Pat. No. Des. 562,444, which is a continuation of application No. 29/210,138, filed on Jul. 28, 2004, now Pat. No. Des. 516,715, which is a continuation of application No. 29/194,364, filed on Nov. 24, 2003, now Pat. No. Des. 495,797, which is a division of application No. 29/170,559, filed on Nov. 8, 2002, now Pat. No. Des. 486,907.

(51) **LOC (9) Cl.** **29-02**

(52) **U.S. Cl.** **D24/110.1**

(58) **Field of Classification Search** D24/110.1, D24/110.5, 110.4, 129, 164; 128/205.25, 128/207.13, 206.21, 205.24, 202.27, 204.18, 128/912, 206.24, 206.27, 206.15, 207.11, 128/206.26, 207.17, 207.12, 204.11, 204.23
See application file for complete search history.

(56) **References Cited**

U.S. PATENT DOCUMENTS

3,521,630 A	7/1970	Westberg et al.
5,062,421 A	11/1991	Burns et al.
D322,318 S	12/1991	Sullivan
5,224,474 A	7/1993	Bloomfield
D378,610 S	3/1997	Reischel et al.

OTHER PUBLICATIONS

Guney et al., Parent U.S. Appl. No. 29/242,404, filed Nov. 10, 2005.

Primary Examiner—Ian Simmons

Assistant Examiner—Christopher Lee

(74) *Attorney, Agent, or Firm*—Nixon & Vanderhye P.C.

(57) **CLAIM**

The ornamental design for a mask frame, as shown and described.

DESCRIPTION

FIG. 1 is a front perspective view of a mask frame according to an embodiment of our design;

FIG. 2 is a front view thereof;

FIG. 3 is a rear view thereof;

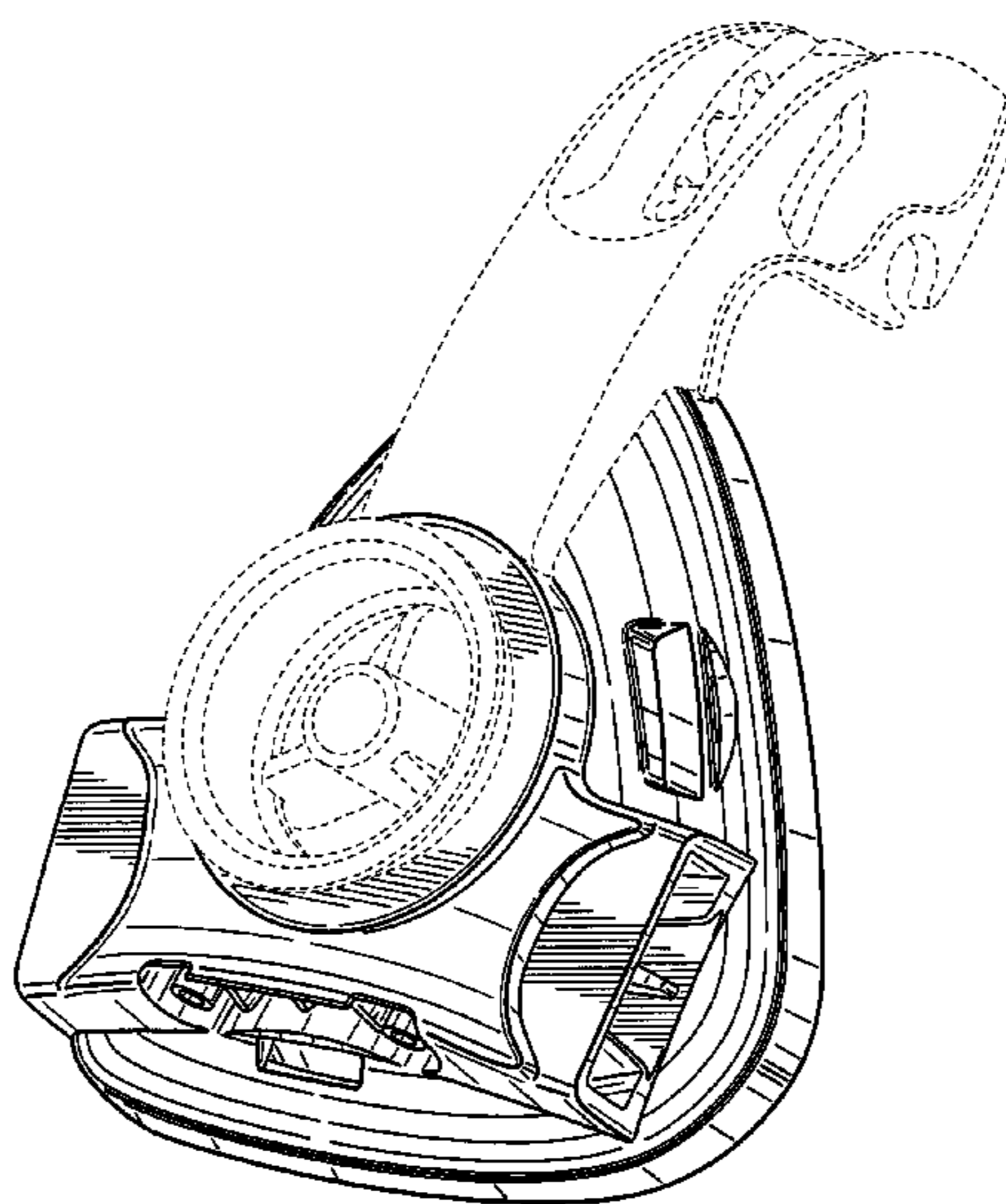
FIG. 4 is a top view thereof;

FIG. 5 is a bottom view thereof; and,

FIG. 6 is a right side view thereof with the left side view being a mirror image thereof.

Where included, broken lines showing environment or structure are for illustrative purposes only and form no part of the claimed design.

1 Claim, 5 Drawing Sheets



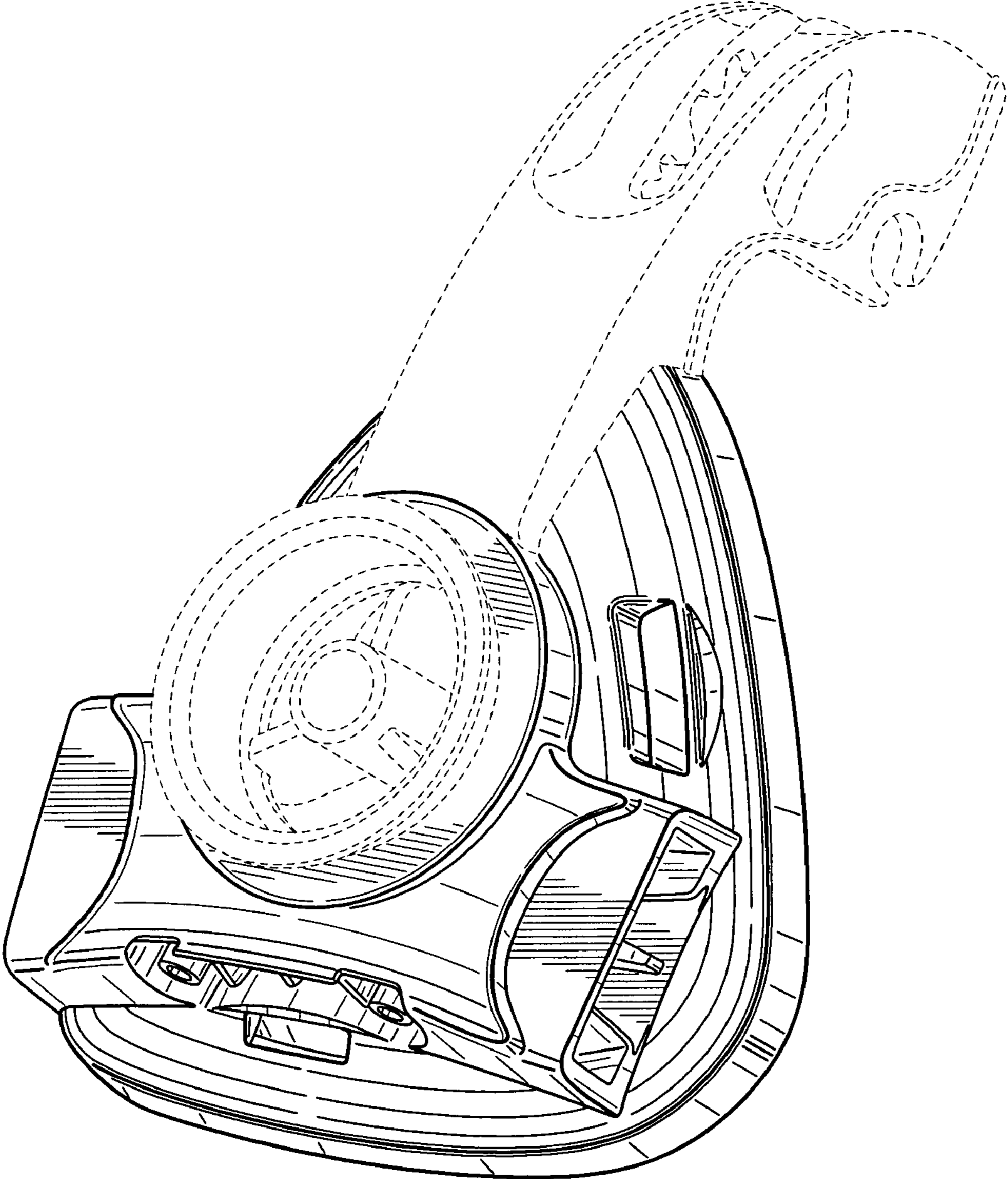


FIG. 1

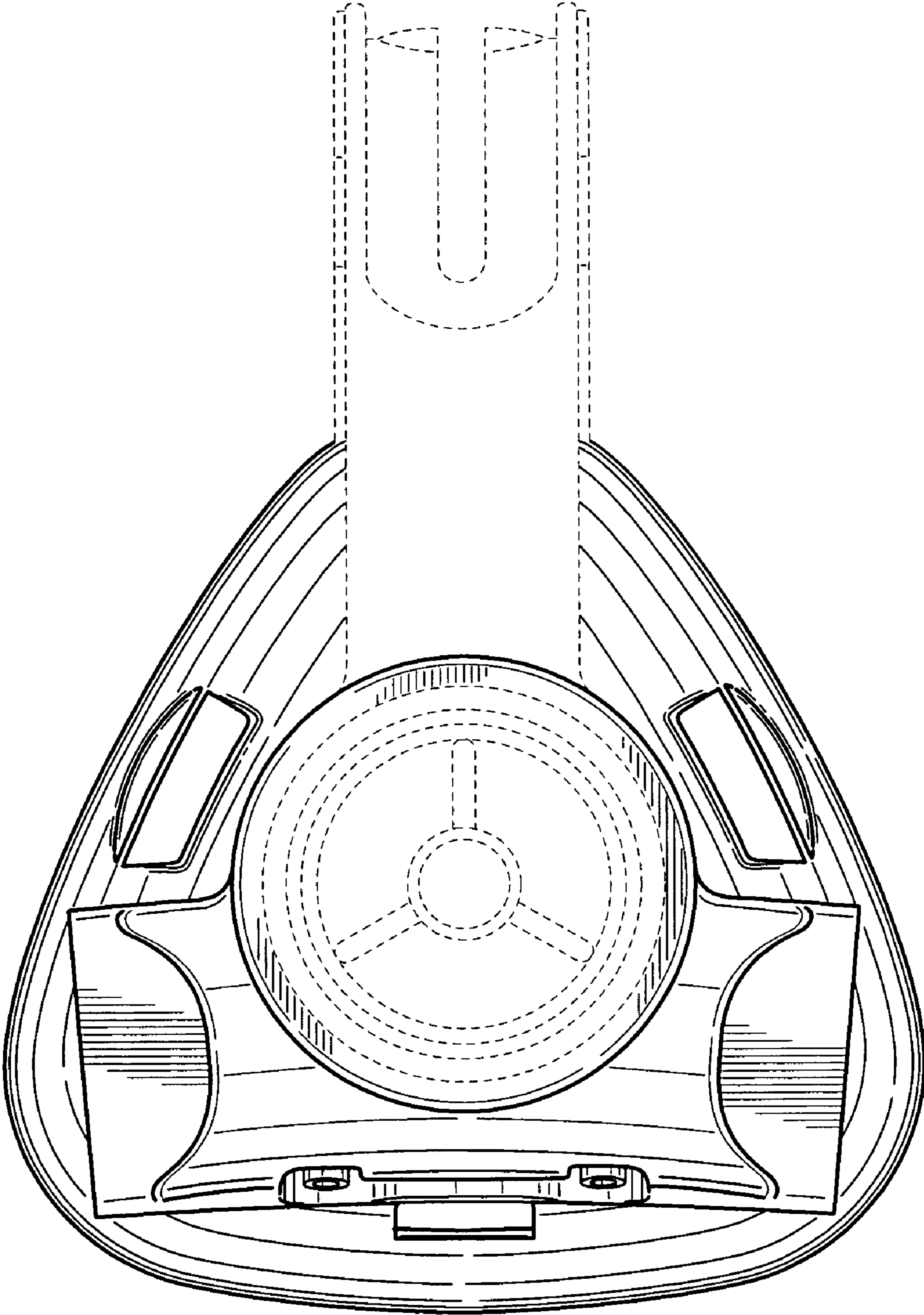


FIG. 2

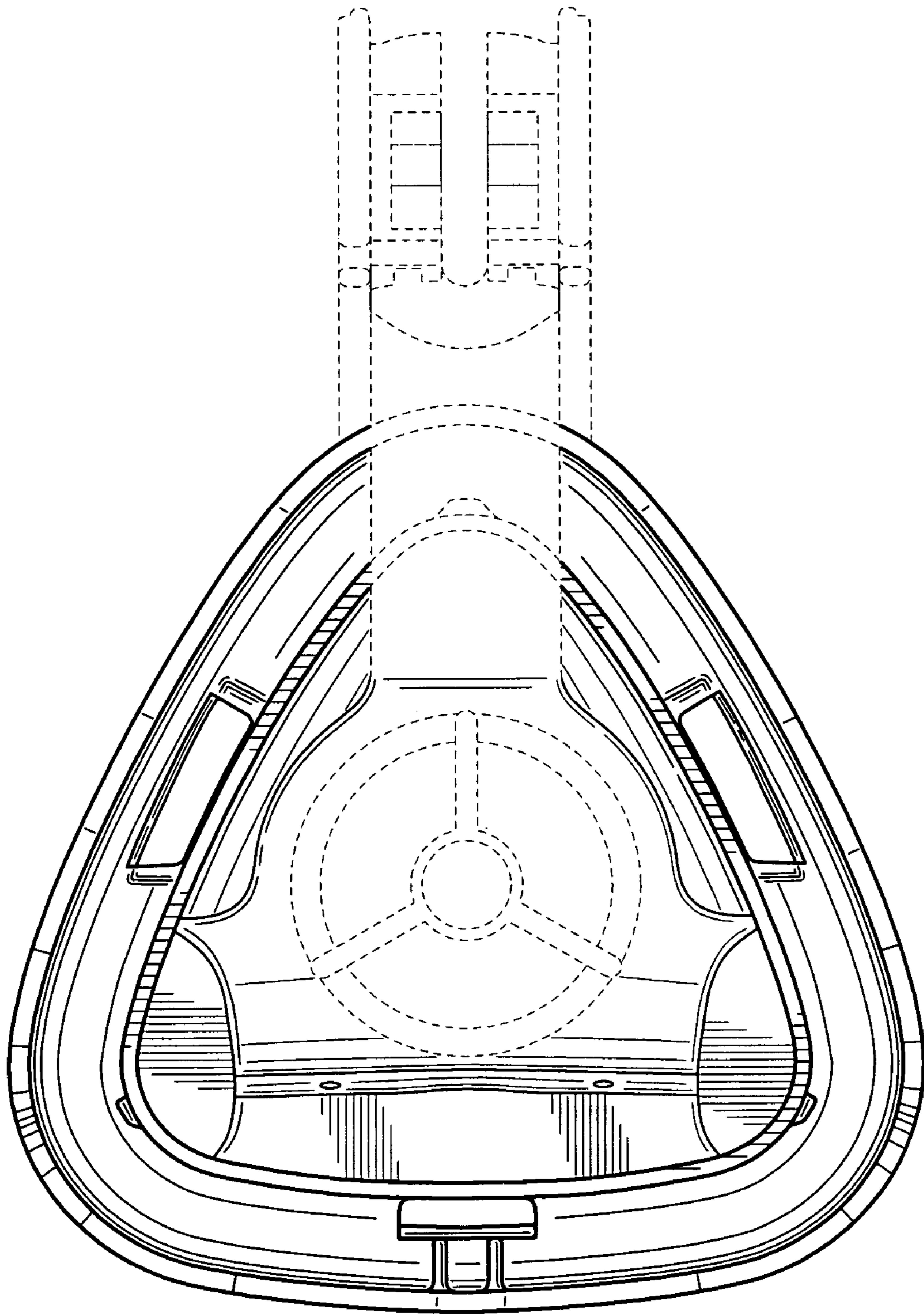


FIG. 3

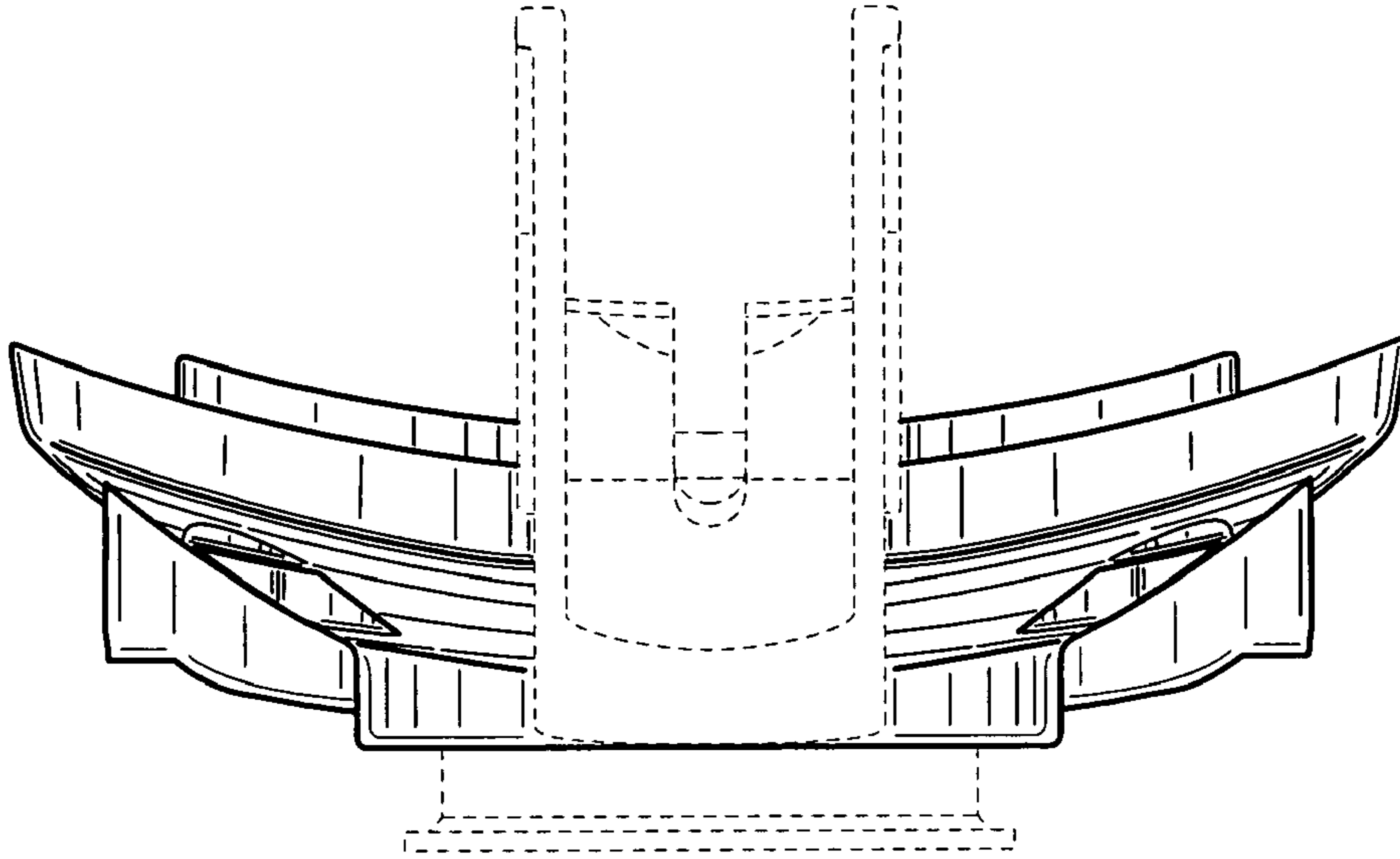


FIG. 4



FIG. 5

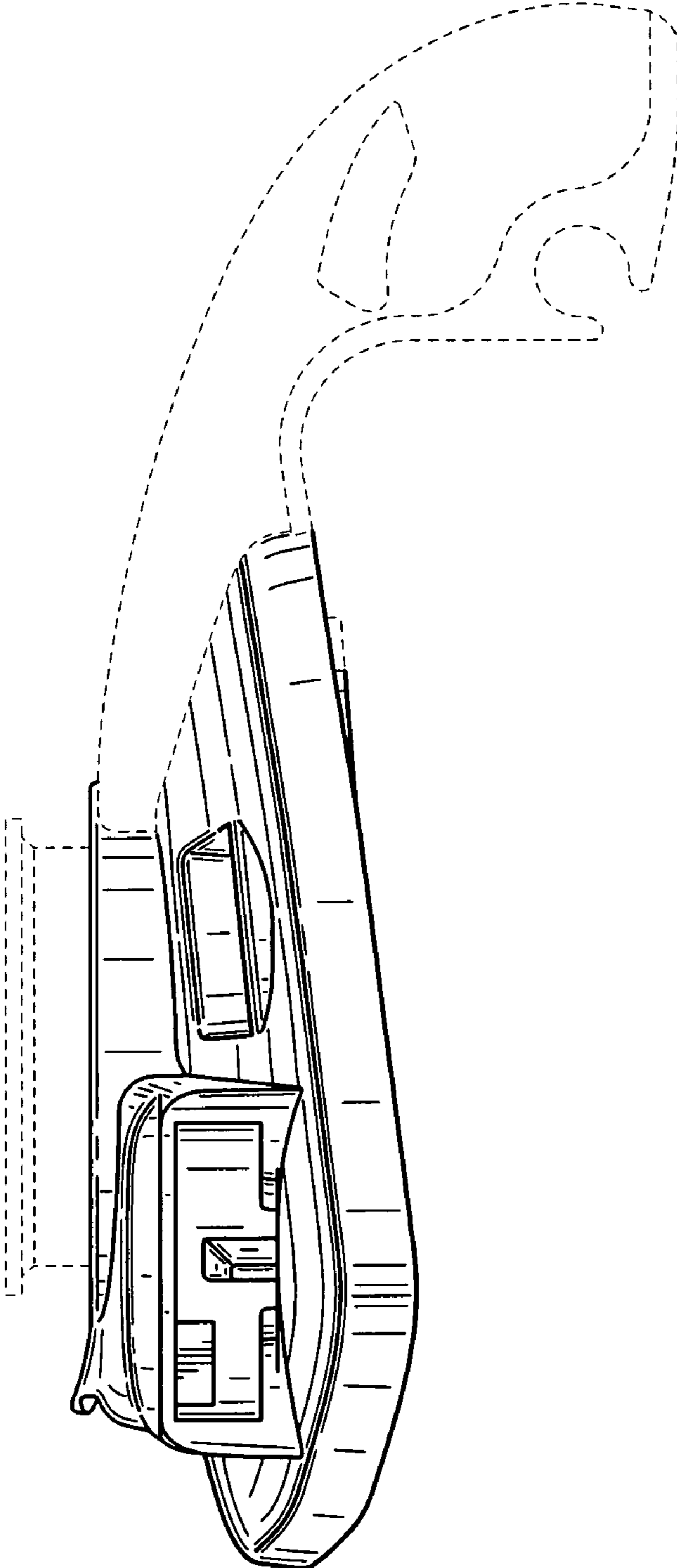


FIG. 6