

US00D586459S

(12) **United States Design Patent**
Cabrera

(10) **Patent No.:** **US D586,459 S**
(45) **Date of Patent:** **** Feb. 10, 2009**

(54) **TRACHEOSTOMY TUBE**

(75) Inventor: **Jerry Edward Cabrera**, Munster, IN
(US)

(73) Assignee: **Smiths Medical ASD, Inc.**, Gary, IN
(US)

(**) Term: **14 Years**

(21) Appl. No.: **29/287,270**

(22) Filed: **Jul. 18, 2007**

(51) **LOC (9) Cl.** **29-02**

(52) **U.S. Cl.** **D24/110.1; D24/110.4**

(58) **Field of Classification Search** D24/110,
D24/110.1, 110.4, 110.5, 129, 164; 128/207.14,
128/207.15, 205.13, 205.16, 204.18, 205.24,
128/200.26; 417/394, 478

See application file for complete search history.

(56) **References Cited**

U.S. PATENT DOCUMENTS

D232,268	S	*	7/1974	Fettel et al.	D24/110
4,009,720	A	*	3/1977	Crandall	128/207.15
4,315,505	A	*	2/1982	Crandall et al.	128/200.26
4,817,598	A	*	4/1989	LaBombard	128/207.14

D332,140	S	*	12/1992	La Bombard et al.	D24/129
5,471,980	A	*	12/1995	Varner	128/207.17
6,105,577	A	*	8/2000	Varner	128/207.17
6,796,309	B2	*	9/2004	Nash et al.	128/207.14
7,195,016	B2	*	3/2007	Loyd et al.	128/207.14

* cited by examiner

Primary Examiner—Ian Simmons
Assistant Examiner—Christopher Lee
(74) *Attorney, Agent, or Firm*—Louis Woo

(57) **CLAIM**

The ornamental design for a tracheostomy tube, as shown and described.

DESCRIPTION

FIG. 1 is a right side view of the tracheostomy tube according to my design;

FIG. 2 is a top view thereof;

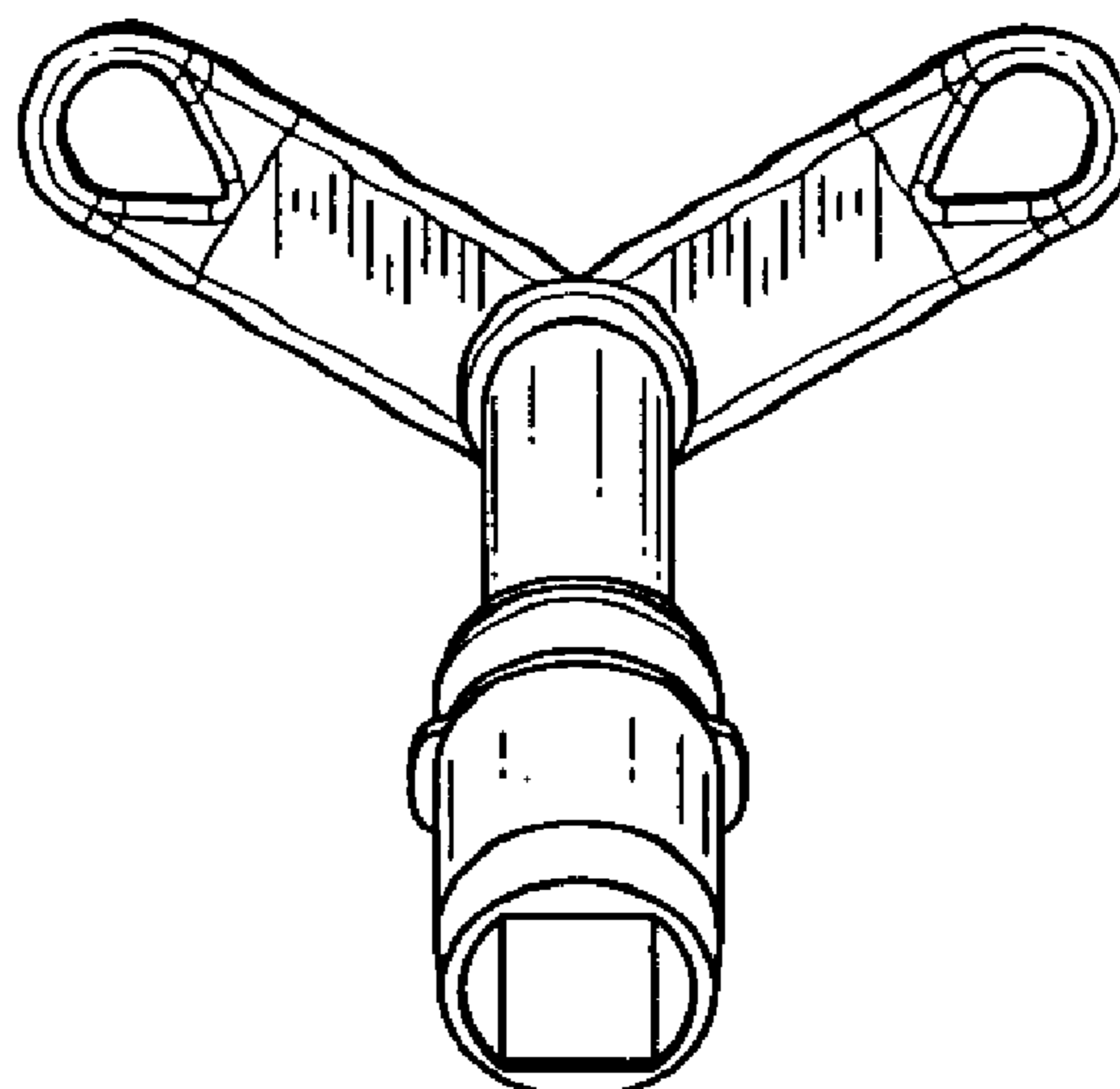
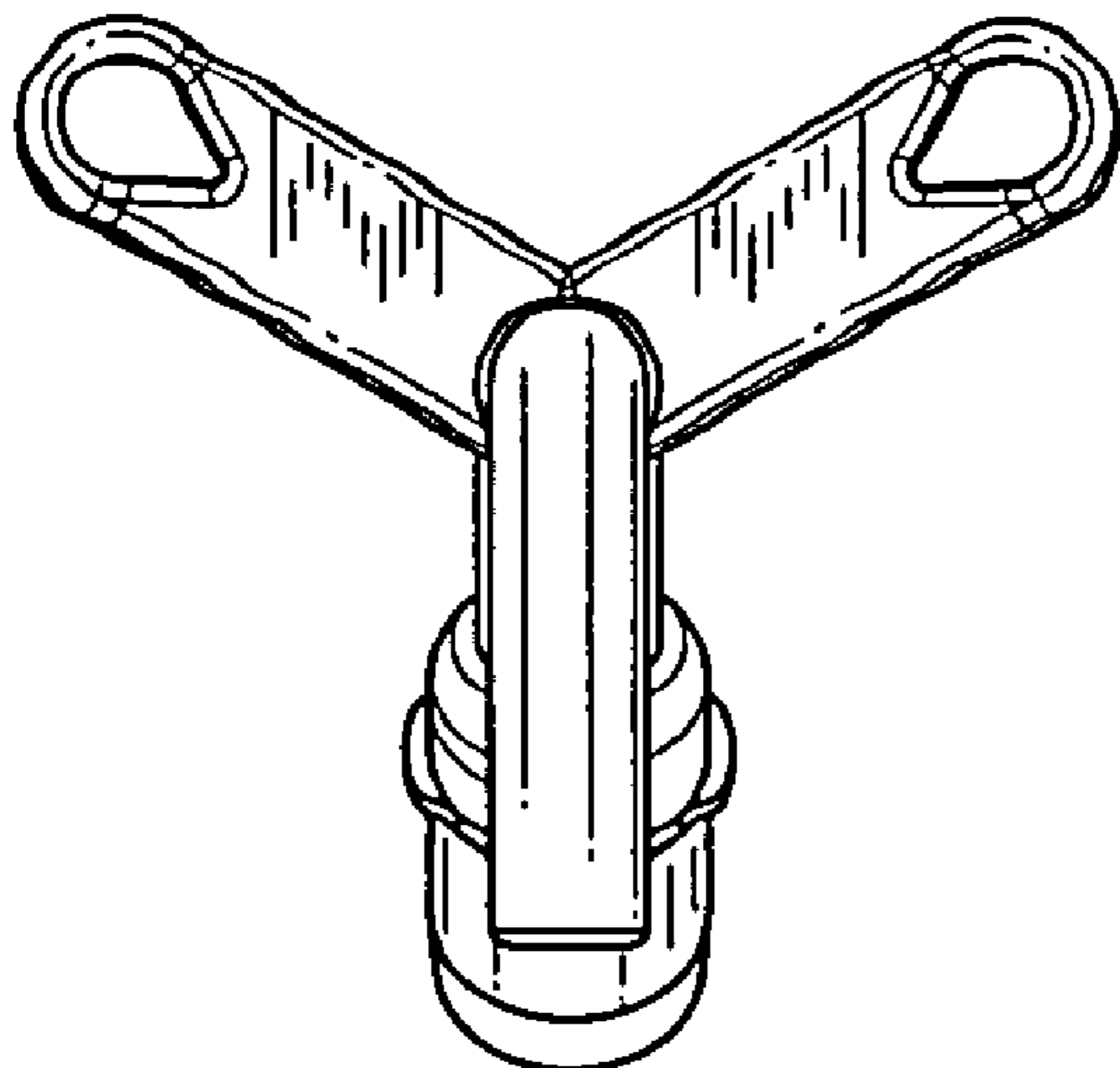
FIG. 3 is a bottom view thereof;

FIG. 4 is a front view thereof;

FIG. 5 is a rear view thereof; and,

FIG. 6 is a left side view thereof.

1 Claim, 1 Drawing Sheet



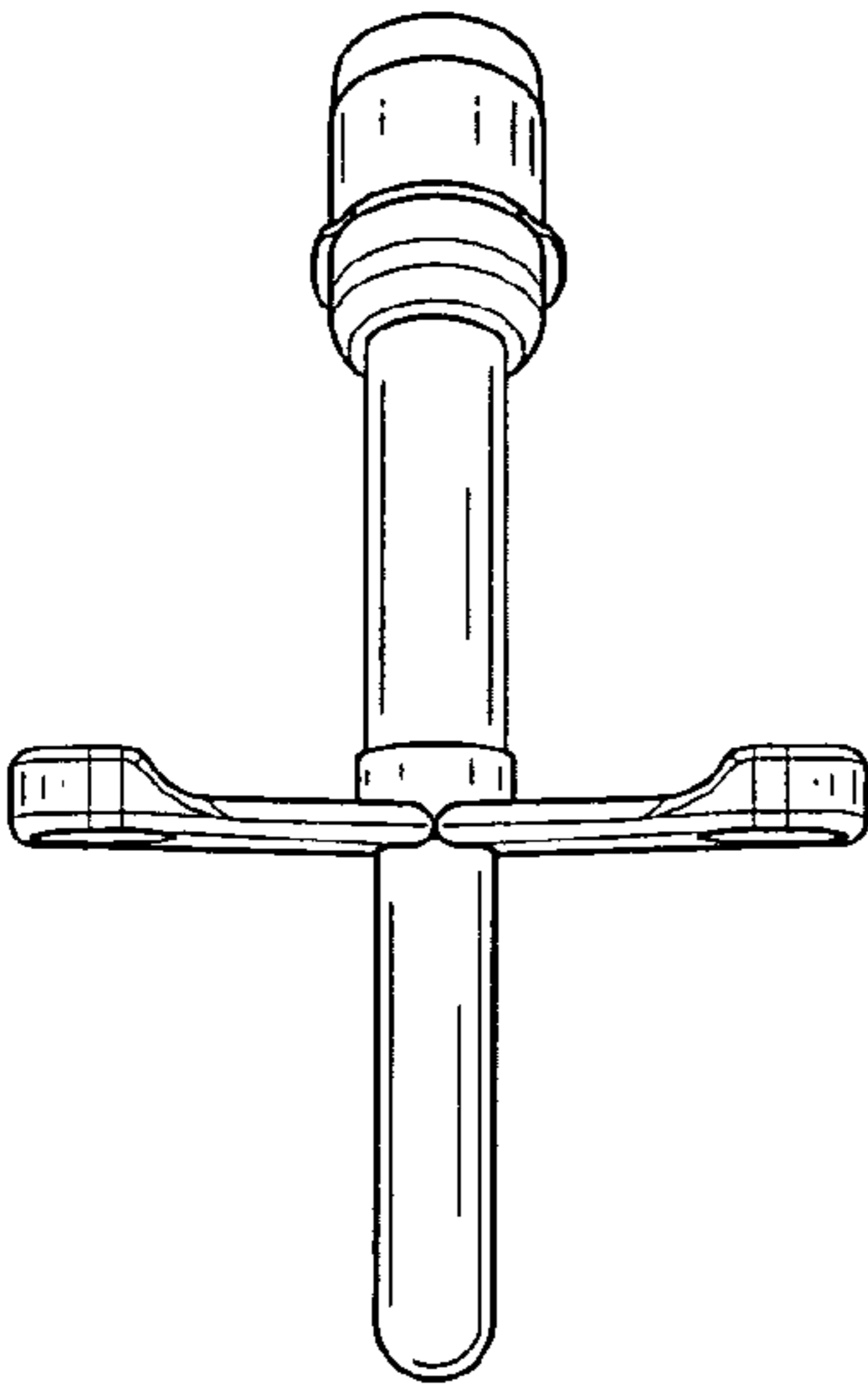


FIG. 2

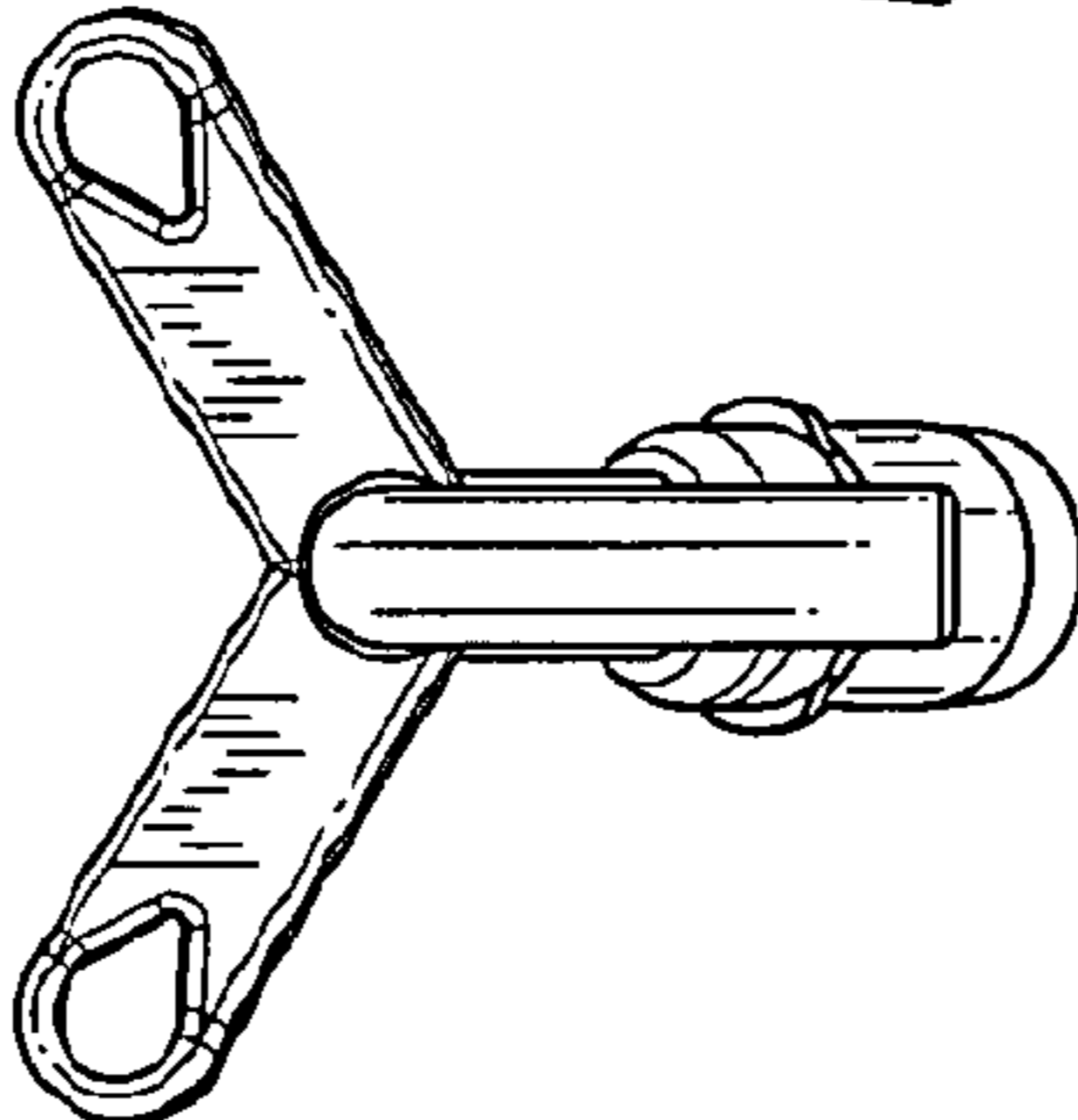


FIG. 4

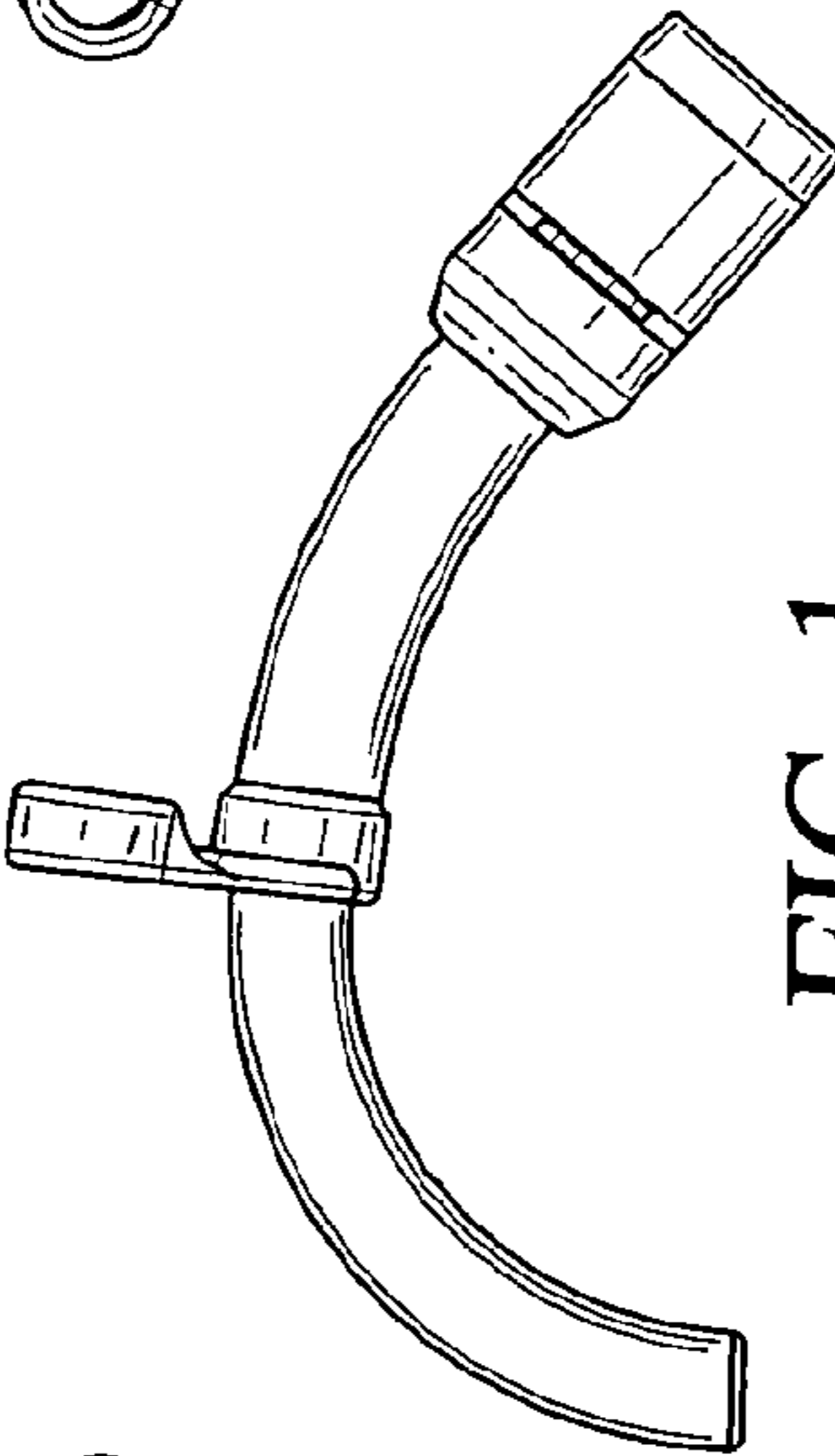


FIG. 1

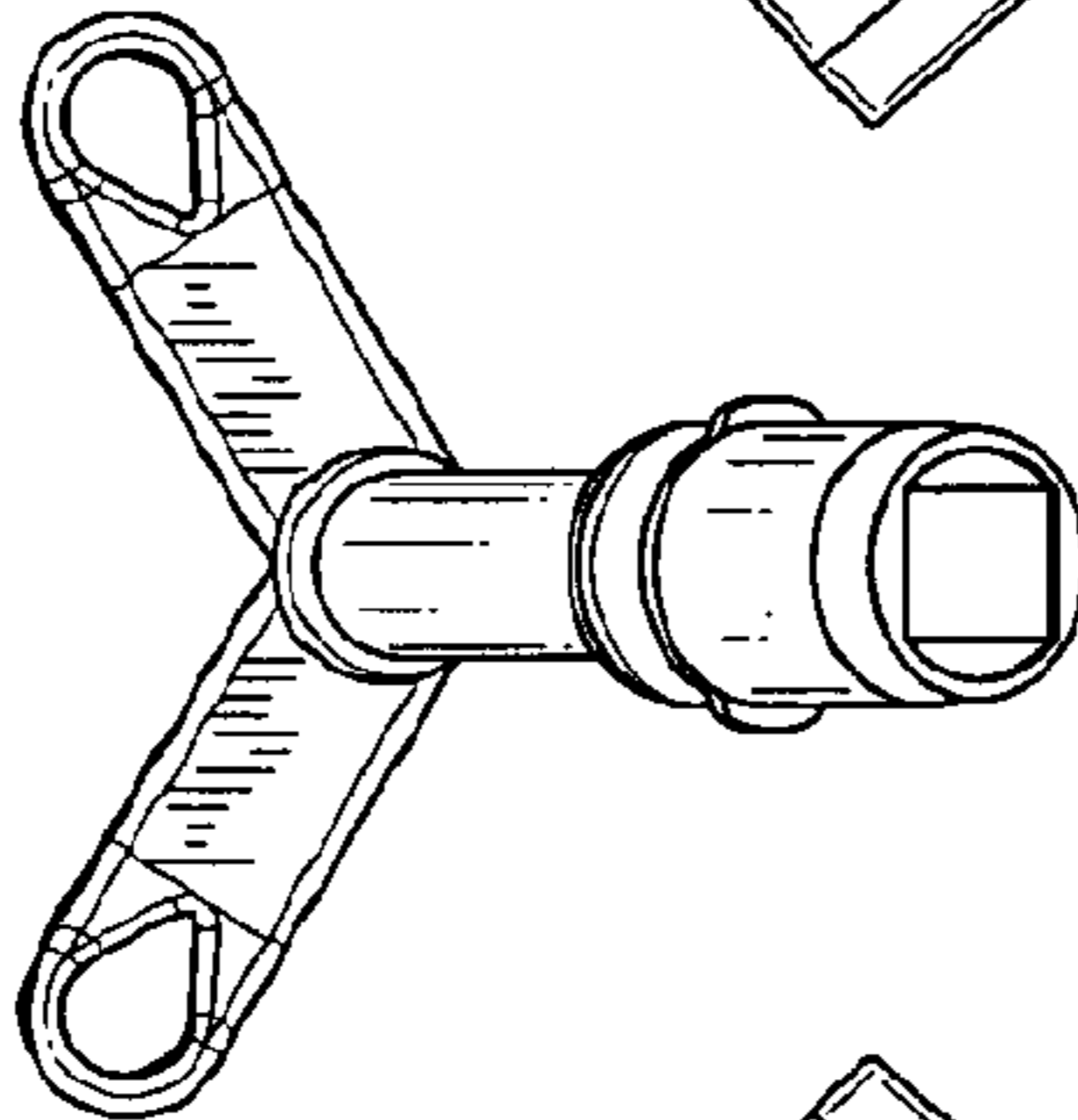


FIG. 5

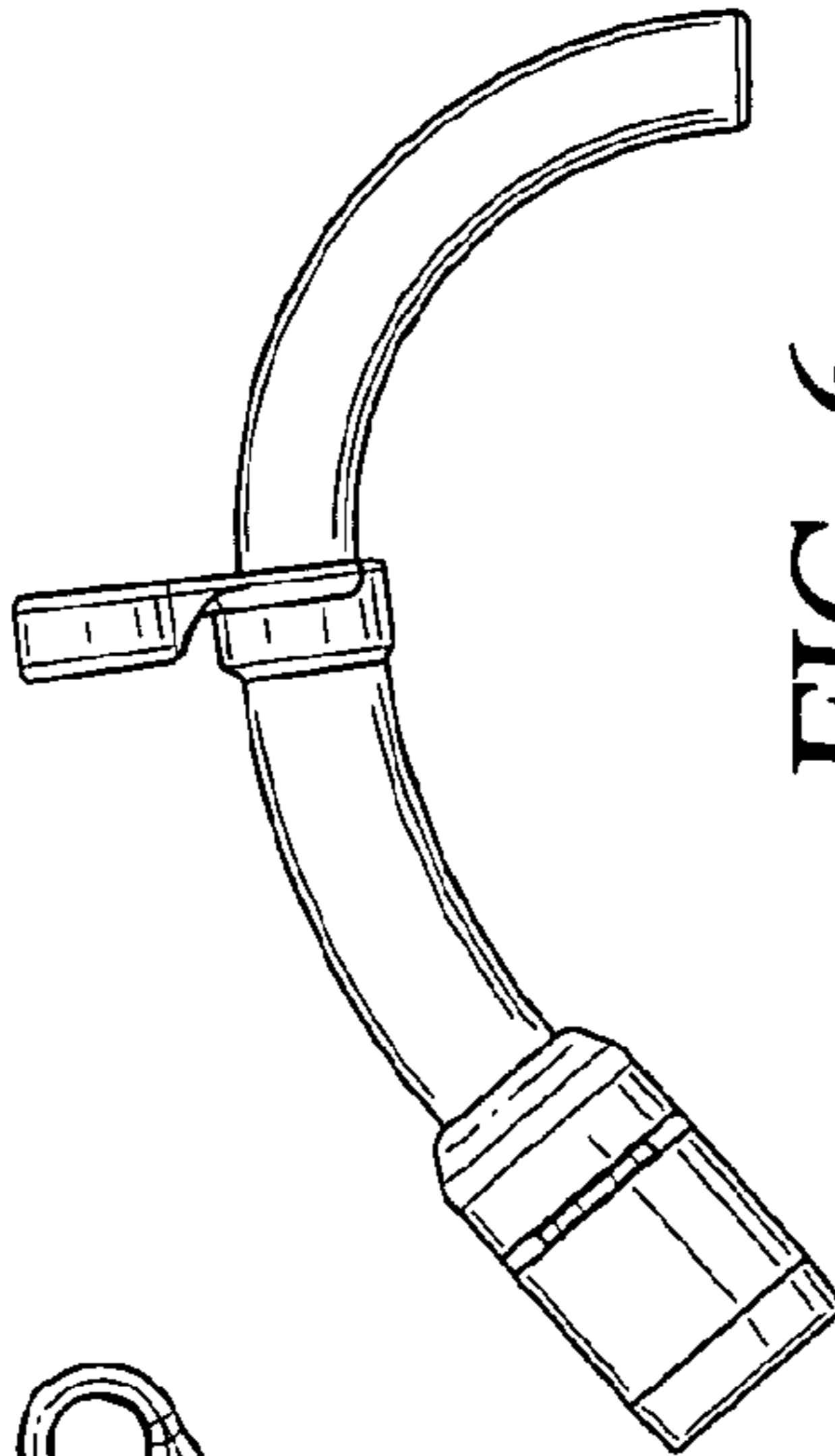


FIG. 6

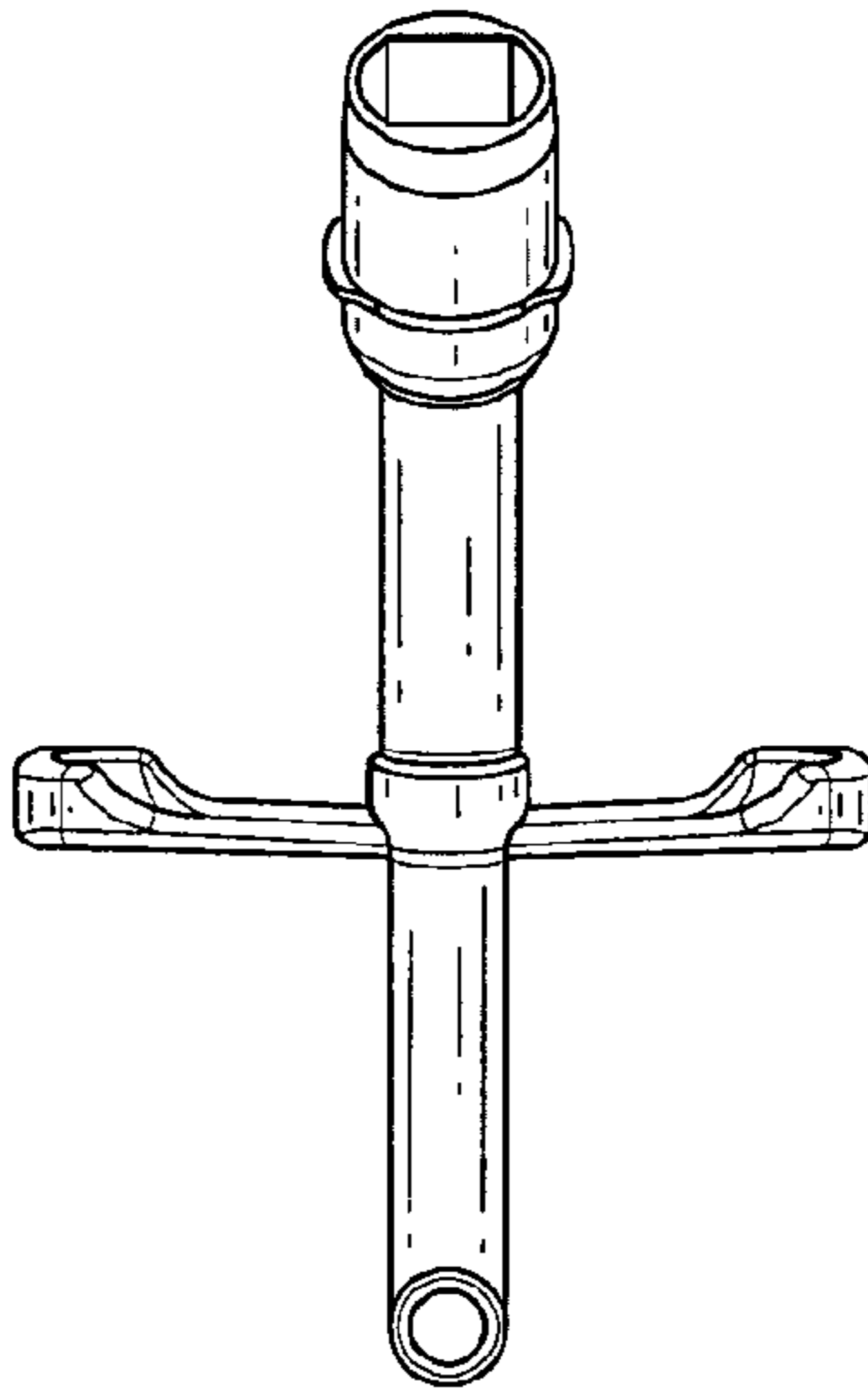


FIG. 3

UNITED STATES PATENT AND TRADEMARK OFFICE
CERTIFICATE OF CORRECTION

PATENT NO. : Des. 586,459 S
APPLICATION NO. : 29/287270
DATED : July 18, 2008
INVENTOR(S) : Jerry Edward Cabrera

Page 1 of 3

It is certified that error appears in the above-identified patent and that said Letters Patent is hereby corrected as shown below:

The title page should be deleted and substitute therefore the attached title page.

Remove drawings from patent and replace with the attached drawings as shown on the attached page.

Signed and Sealed this

Twenty-first Day of July, 2009



JOHN DOLL

Acting Director of the United States Patent and Trademark Office

(12) **United States Design Patent**
Cabrera

(10) **Patent No.:** **US D586,459 S**
(45) **Date of Patent:** **** Feb. 10, 2009**

(54) **TRACHEOSTOMY TUBE**

(75) **Inventor:** **Jerry Edward Cabrera, Munster, IN (US)**

(73) **Assignee:** **Smiths Medical ASD, Inc., Gary, IN (US)**

(**) **Term:** **14 Years**

(21) **Appl. No.:** **29/287,270**

(22) **Filed:** **Jul. 18, 2007**

(51) **LOC (9) Cl.** **29-02**

(52) **U.S. Cl.** **D24/110.1; D24/110.4**

(58) **Field of Classification Search** **D24/110, D24/110.1, 110.4, 110.5, 129, 164; 128/207.14, 128/207.15, 205.13, 205.16, 204.18, 205.24, 128/200.26; 417/394, 478**

See application file for complete search history.

(56) **References Cited**

U.S. PATENT DOCUMENTS

D232,268	S *	7/1974	Fettel et al.	D24/110
4,009,720	A *	3/1977	Crandall	128/207.15
4,315,505	A *	2/1982	Crandall et al.	128/200.26
4,817,598	A *	4/1989	LaBombard	128/207.14

D332,140	S *	12/1992	La Bombard et al.	D24/129
5,471,980	A *	12/1995	Varner	128/207.17
6,105,577	A *	8/2000	Varner	128/207.17
6,796,309	B2 *	9/2004	Nash et al.	128/207.14
7,195,016	B2 *	3/2007	Loyd et al.	128/207.14

* cited by examiner

Primary Examiner—Ian Simmons
Assistant Examiner—Christopher Lee
(74) *Attorney, Agent, or Firm*—Louis Woo

(57) **CLAIM**

The ornamental design for a tracheostomy tube, as shown and described.

DESCRIPTION

FIG. 1 is a right side view of the tracheostomy tube according to my design;

FIG. 2 is a top view thereof;

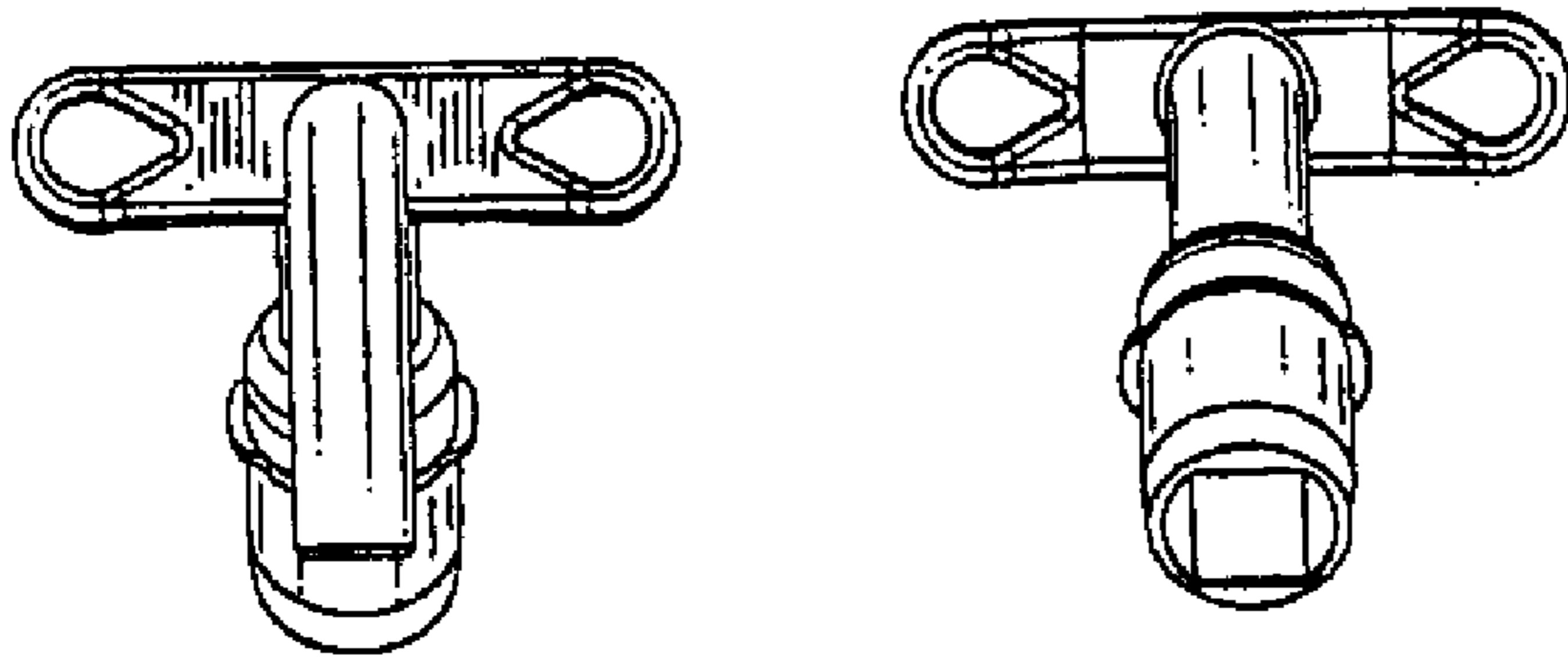
FIG. 3 is a bottom view thereof;

FIG. 4 is a front view thereof;

FIG. 5 is a rear view thereof; and,

FIG. 6 is a left side view thereof.

1 Claim, 1 Drawing Sheet



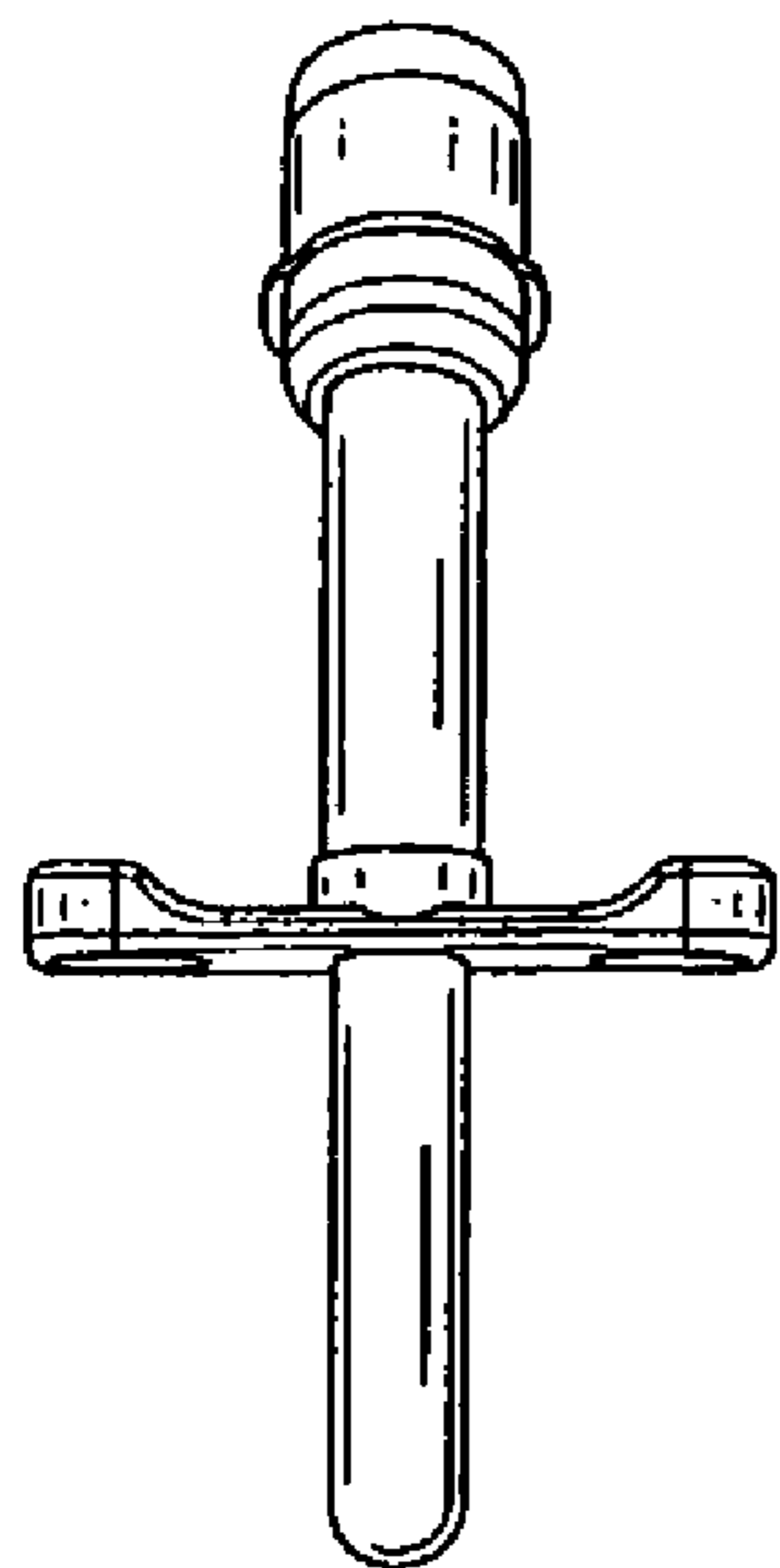


FIG. 2

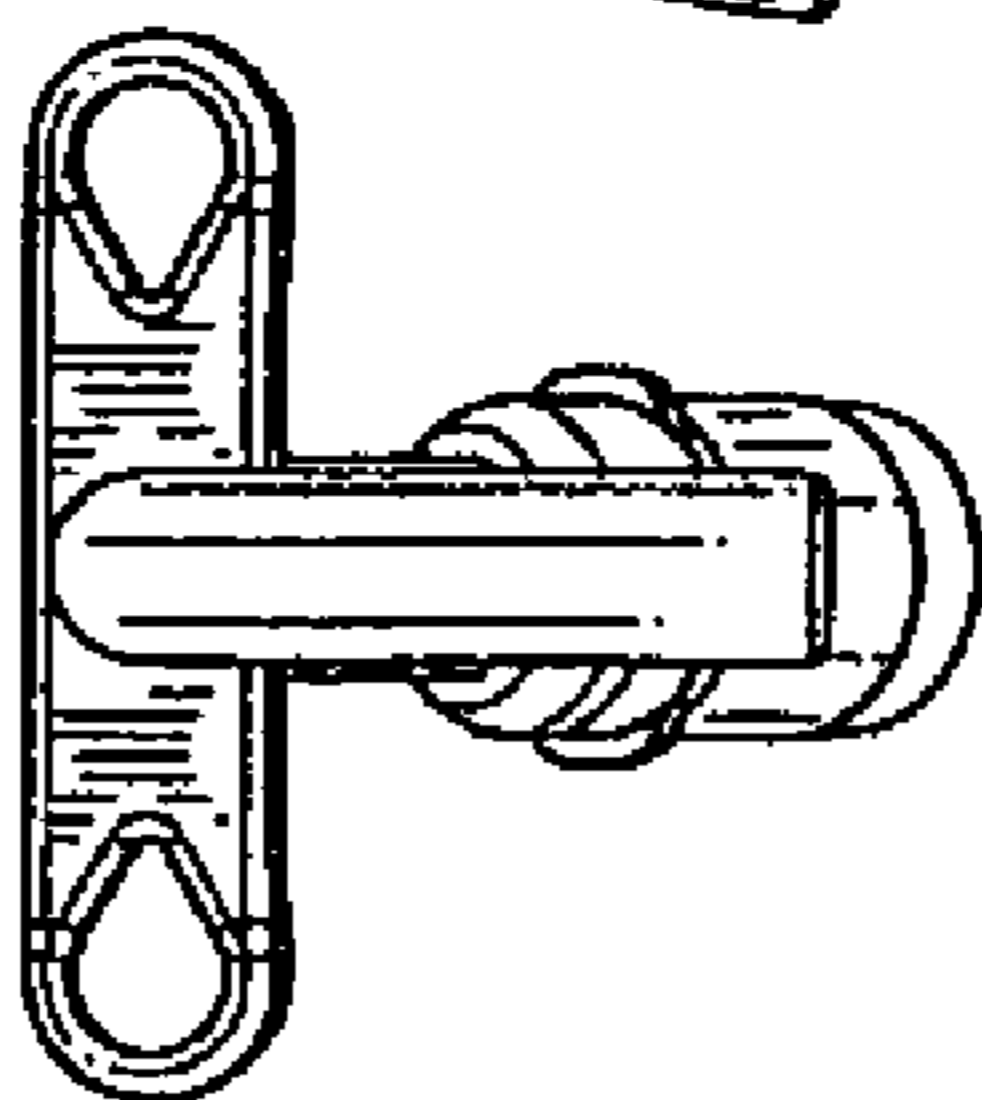


FIG. 4

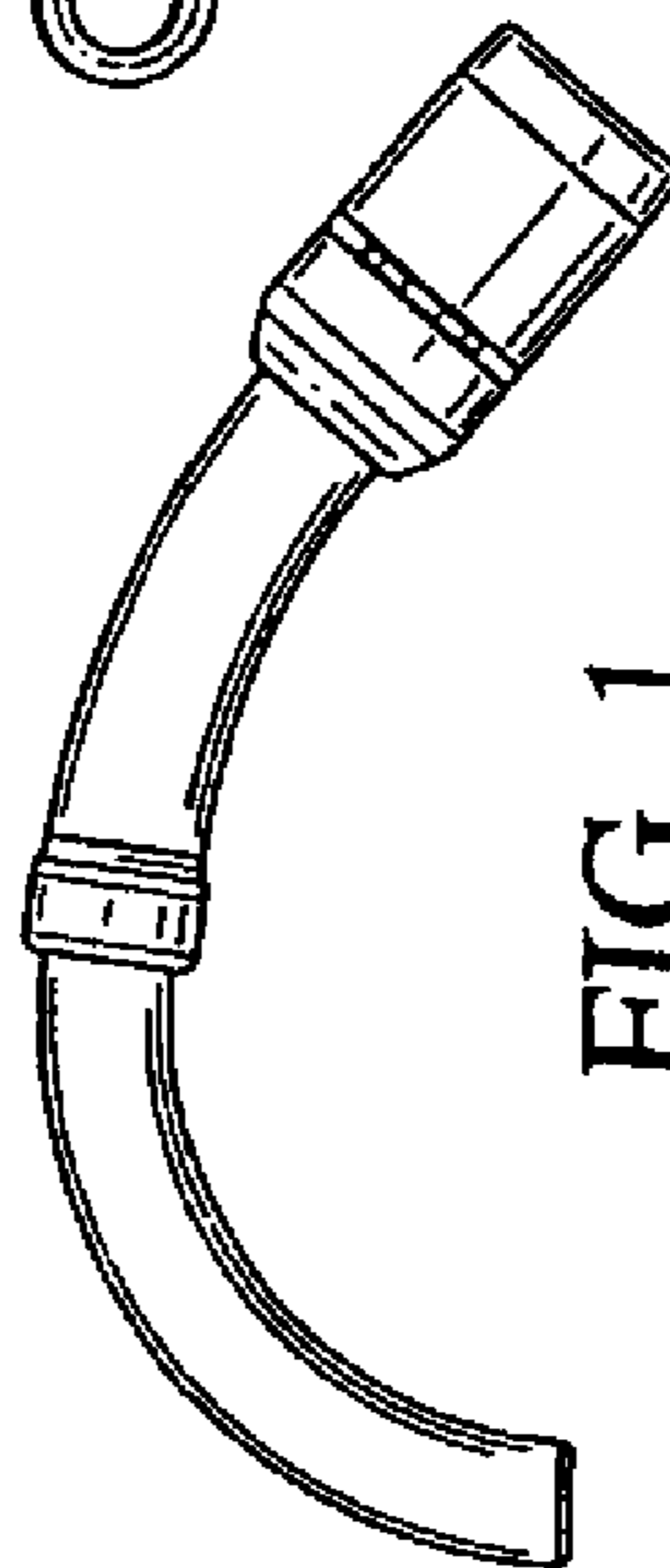


FIG. 1

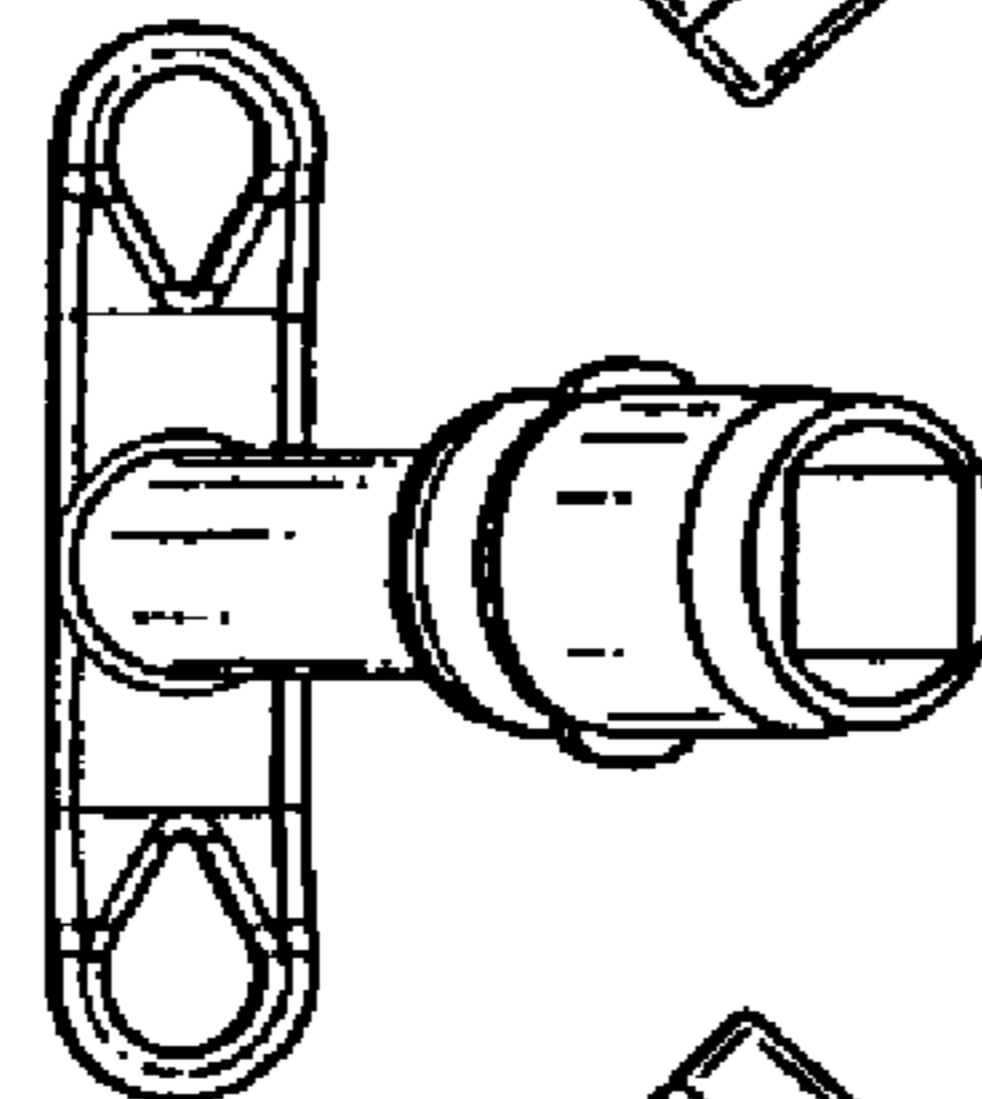


FIG. 5

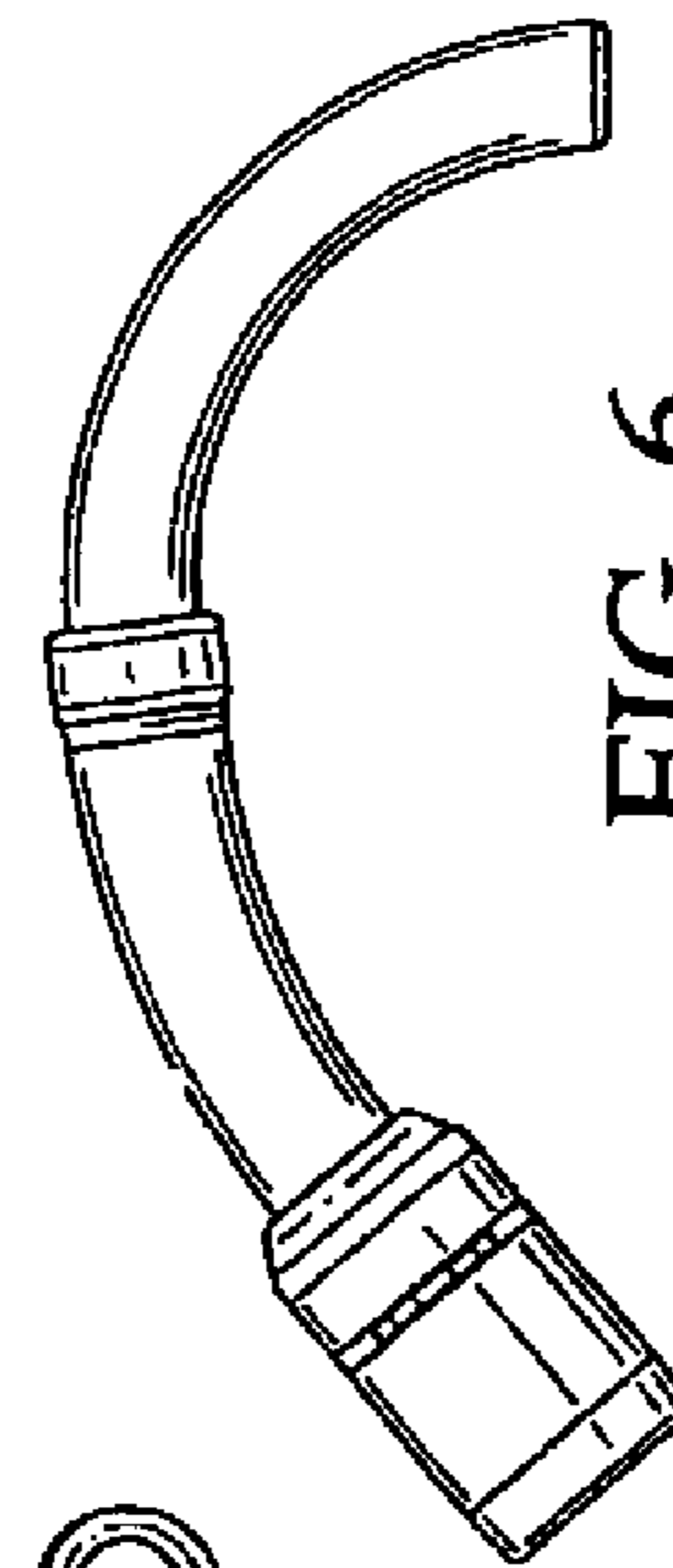


FIG. 6

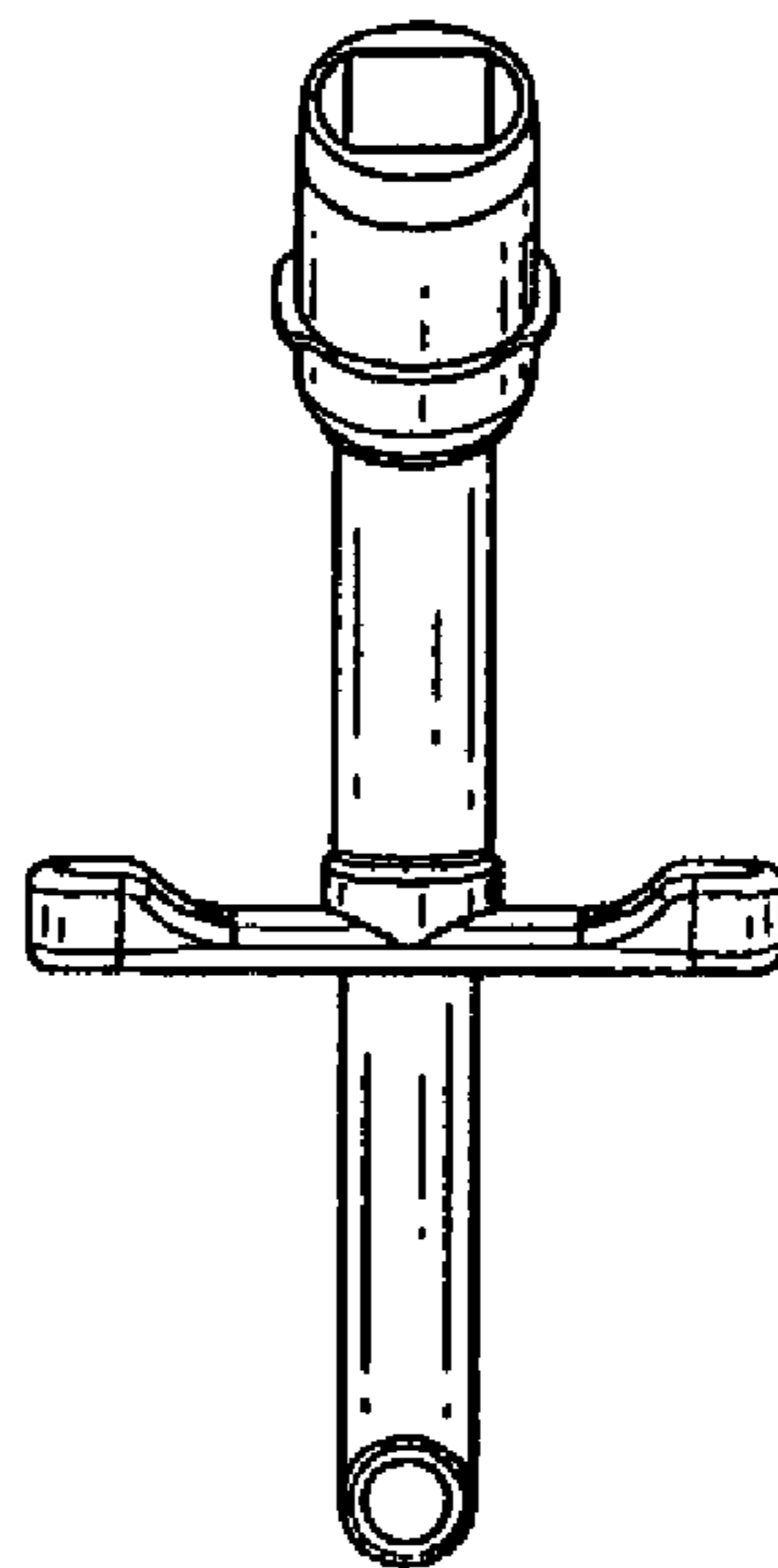


FIG. 3