



US00D586458S

(12) **United States Design Patent**
Kooij et al.

(10) **Patent No.:** **US D586,458 S**

(45) **Date of Patent:** **** Feb. 10, 2009**

(54) **RESPIRATORY MASK**

(75) Inventors: **Michiel Kooij**, Camperdown (AU);
Luke Maguire, Stanmore (AU); **Craig**
David Edwards, Annandale (AU); **Fiona**
Catherine Carroll, Five Dock (AU)

(73) Assignee: **ResMed Limited**, Bella Vista (AU)

(**) Term: **14 Years**

(21) Appl. No.: **29/257,607**

(22) Filed: **Apr. 7, 2006**

(51) **LOC (9) Cl.** **29-02**

(52) **U.S. Cl.** **D24/110.1; D24/110.4;**
D24/110.5

(58) **Field of Classification Search** **D24/110.1,**
D24/110.4, 110.5, 164; 128/205.25, 206.27,
128/207.11, 206.26, 207.17, 207.13, 206.21,
128/204.18, 206.12

See application file for complete search history.

(56) **References Cited**

U.S. PATENT DOCUMENTS

- D322,318 S 12/1991 Sullivan
- 5,074,297 A 12/1991 Venegas
- D402,755 S 12/1998 Kwok
- 6,044,844 A 4/2000 Kwok et al.
- D428,987 S 8/2000 Kwok
- D430,663 S 9/2000 Smart
- 6,112,746 A 9/2000 Kwok et al.
- D439,326 S 3/2001 Hecker et al.
- D443,355 S 6/2001 Gunaratnam et al.
- D457,622 S 5/2002 Kopacko et al.
- D458,365 S 6/2002 Kopacko et al.
- D459,800 S 7/2002 Smart
- D464,427 S 10/2002 Smart
- D468,823 S 1/2003 Smart
- 6,513,526 B2 2/2003 Kwok et al.
- 6,532,961 B1 3/2003 Kwok et al.
- 6,561,190 B1 5/2003 Kwok
- 6,581,602 B2 6/2003 Kwok et al.
- D476,732 S 7/2003 Smart
- D484,237 S 12/2003 Lang et al.
- D486,226 S 2/2004 Guney et al.
- D492,992 S 7/2004 Guney et al.
- D493,221 S 7/2004 Smart

- D493,885 S 8/2004 Raje et al.
- D498,530 S 11/2004 Smart
- D502,260 S 2/2005 Lang et al.
- D519,207 S 4/2006 Raje et al.
- 2002/0023649 A1 2/2002 Gunaratnam et al.
- 2002/0096176 A1 7/2002 Gunaratnam et al.
- 2003/0034034 A1 2/2003 Kwok et al.
- 2003/0062048 A1 4/2003 Gradon et al.
- 2003/0089373 A1 5/2003 Gradon et al.
- 2003/0164170 A1 9/2003 Drew et al.
- 2004/0094157 A1 5/2004 Dantanarayana et al.
- 2005/0022820 A1 2/2005 Kwok et al.

FOREIGN PATENT DOCUMENTS

- WO WO 99/58181 11/1999
- WO WO 01/97892 12/2001

OTHER PUBLICATIONS

Raje et al., U.S. Appl. No. 29/290,257, filed Nov. 9, 2007.
Product Brochure, "Spectrum® Reusable Full Face Mask",
Respironics (1999), 2 pgs.
Raje et al., Parent U.S. Appl. No. 29/233,066, filed Jun. 28, 2005.

Primary Examiner—Ian Simmons

Assistant Examiner—Christopher Lee

(74) *Attorney, Agent, or Firm*—Nixon & Vanderhye P.C.

(57) **CLAIM**

The ornamental design for a respiratory mask, as shown and described.

DESCRIPTION

FIG. 1 is a front perspective view of a respiratory mask according to our design;

FIG. 2 is a reverse perspective view thereof;

FIG. 3 is a front view thereof;

FIG. 4 is a rear view thereof;

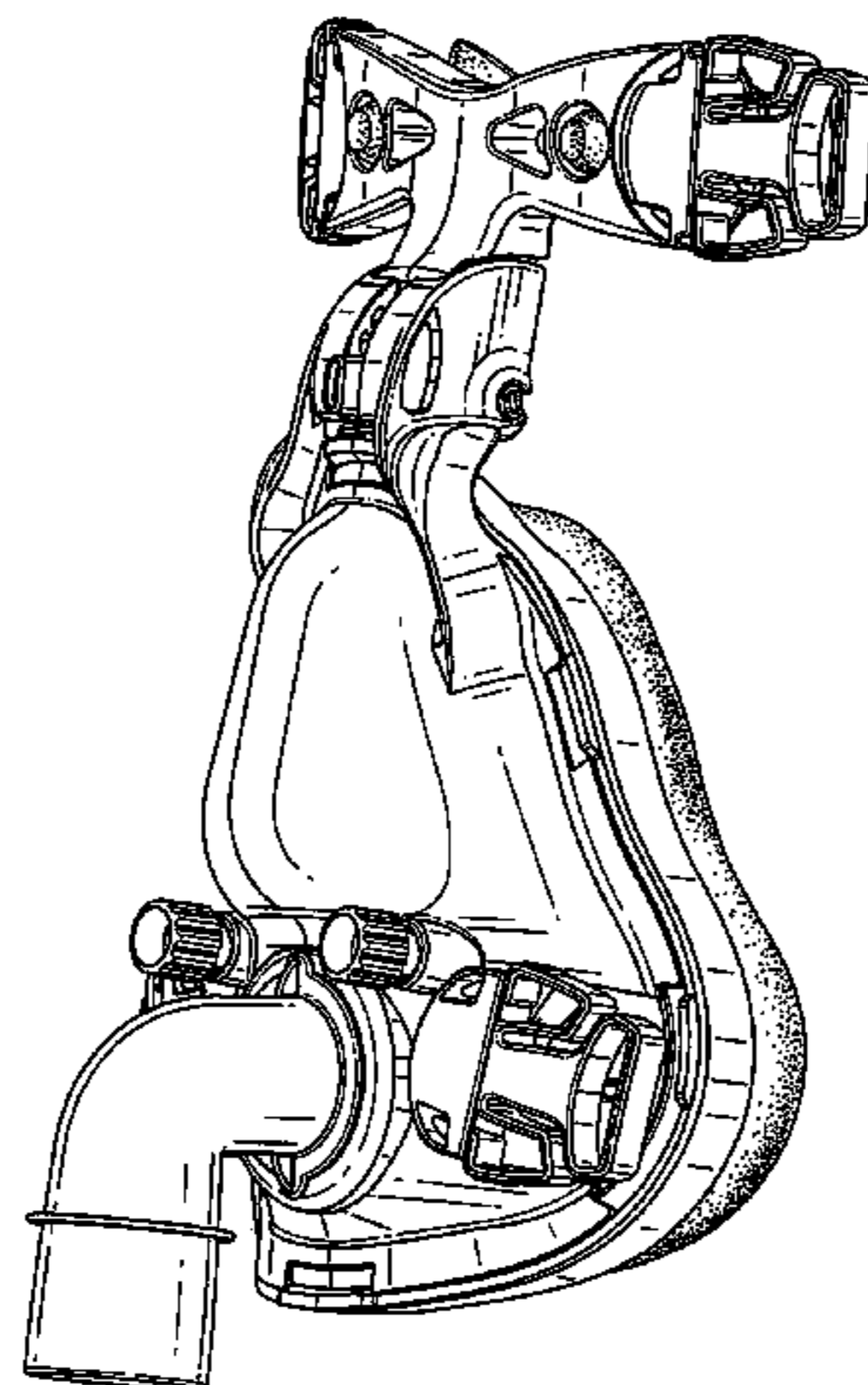
FIG. 5 is a top view thereof;

FIG. 6 is a bottom view thereof;

FIG. 7 is a right side view thereof; and,

FIG. 8 is a left side view thereof.

1 Claim, 7 Drawing Sheets



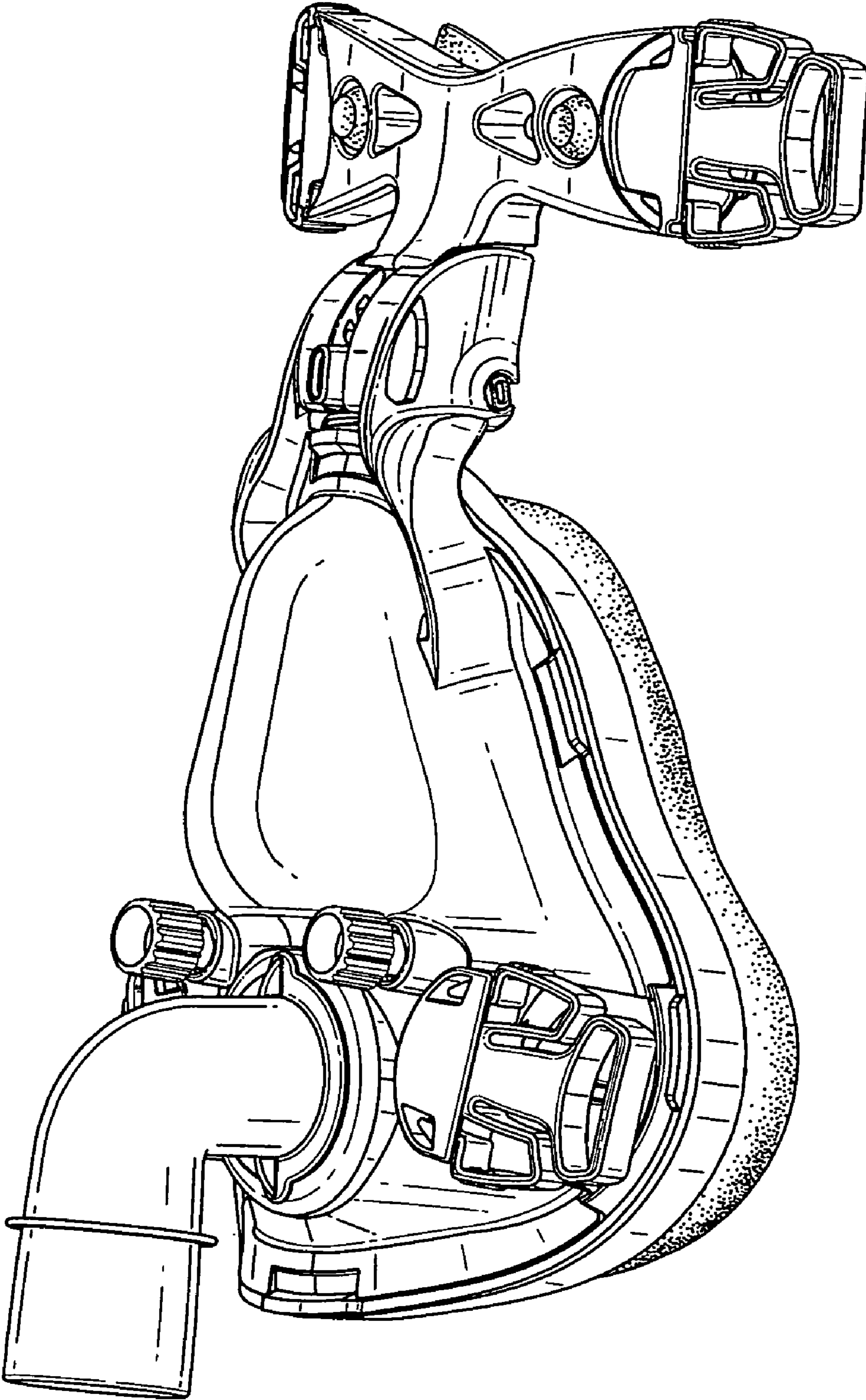


Fig. 1

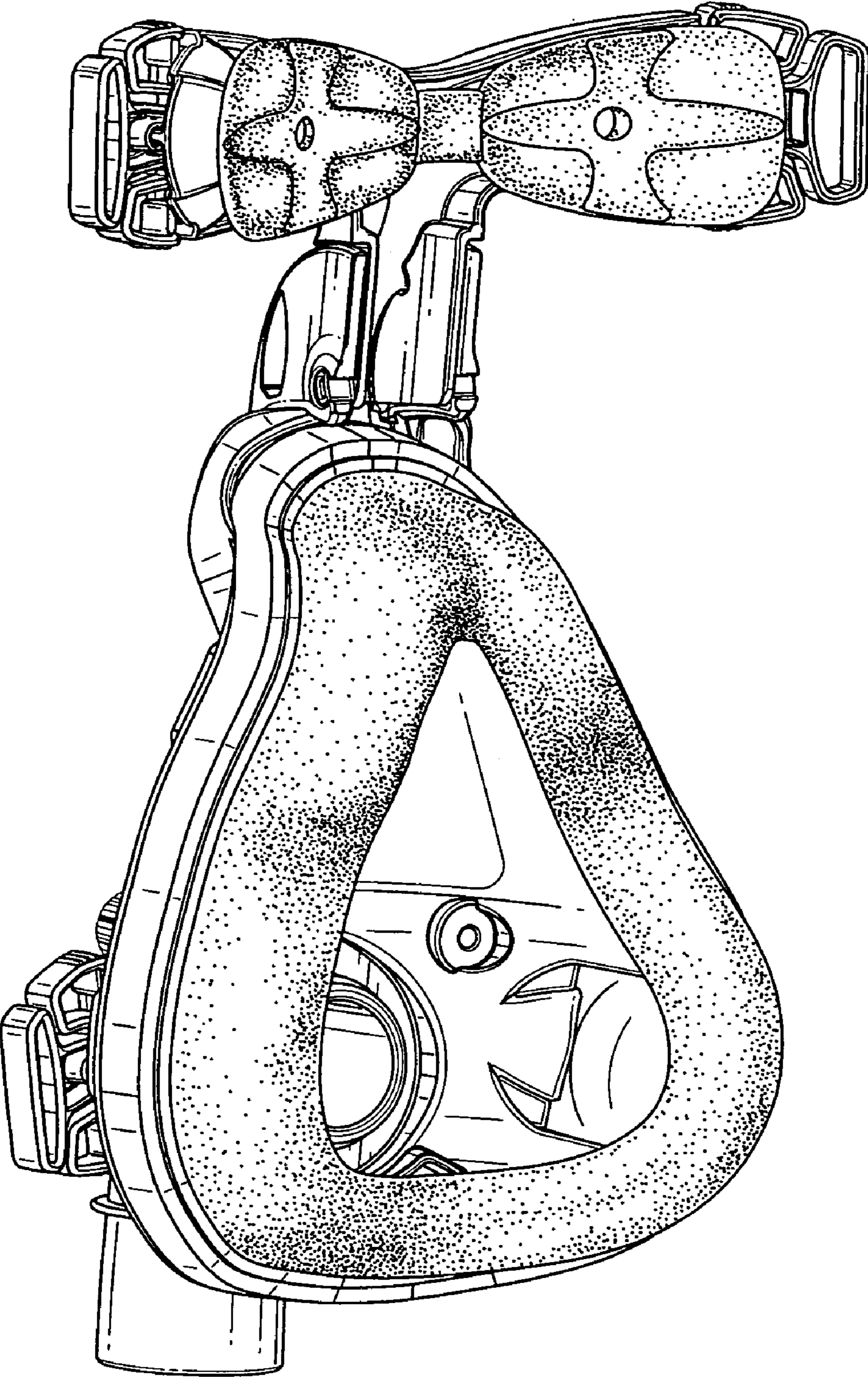


Fig. 2

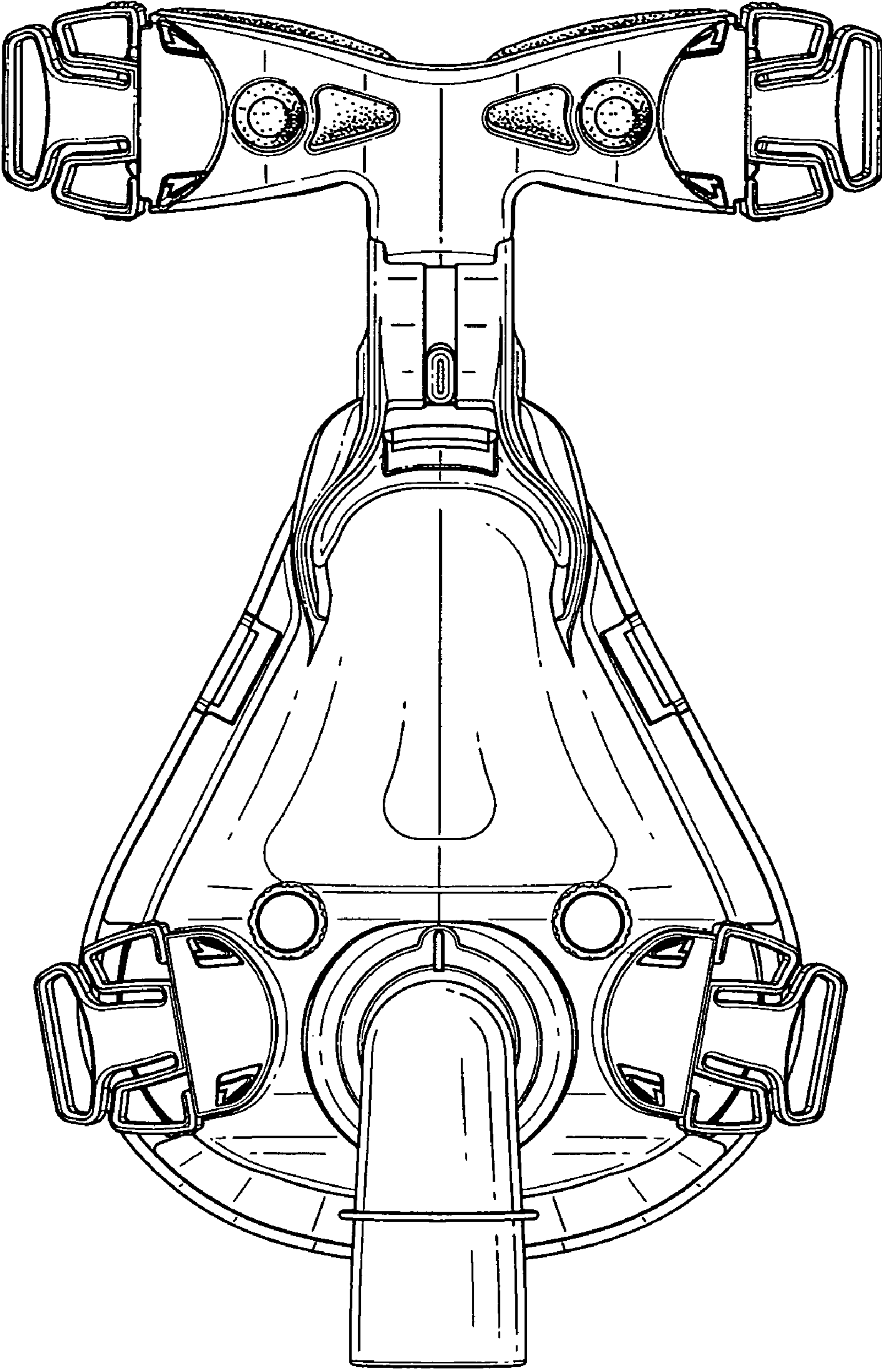


Fig. 3

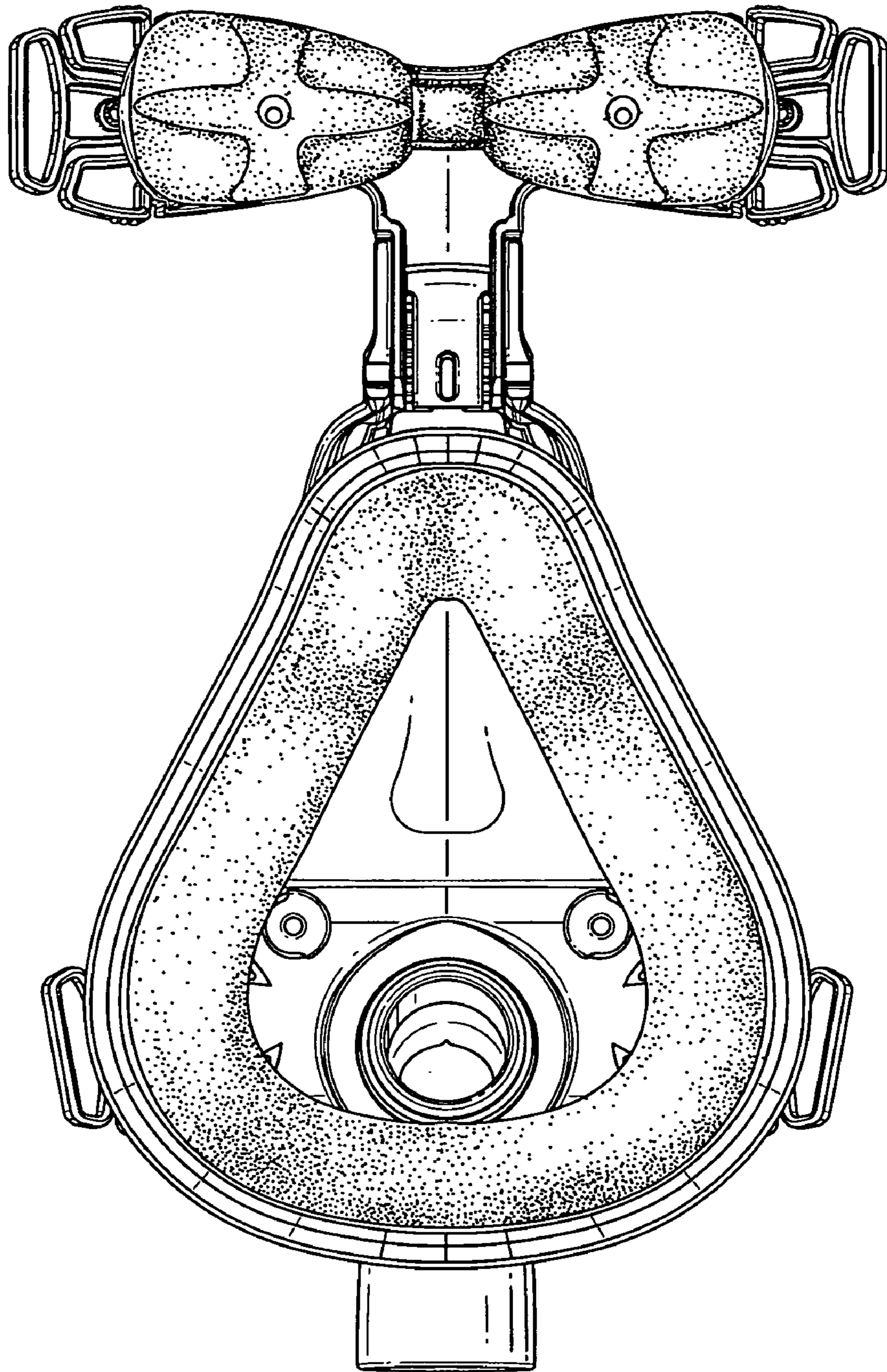


Fig. 4

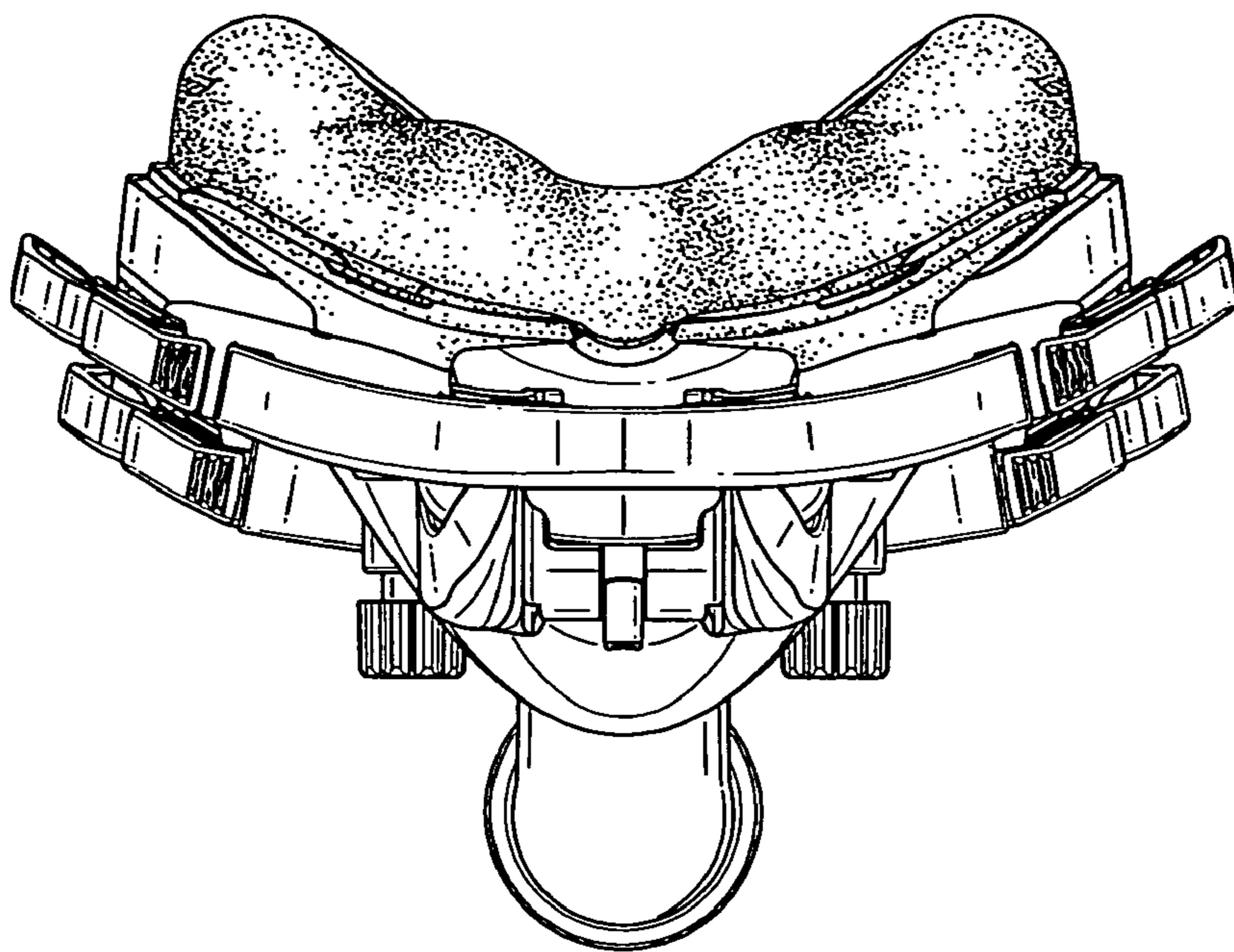


Fig. 5

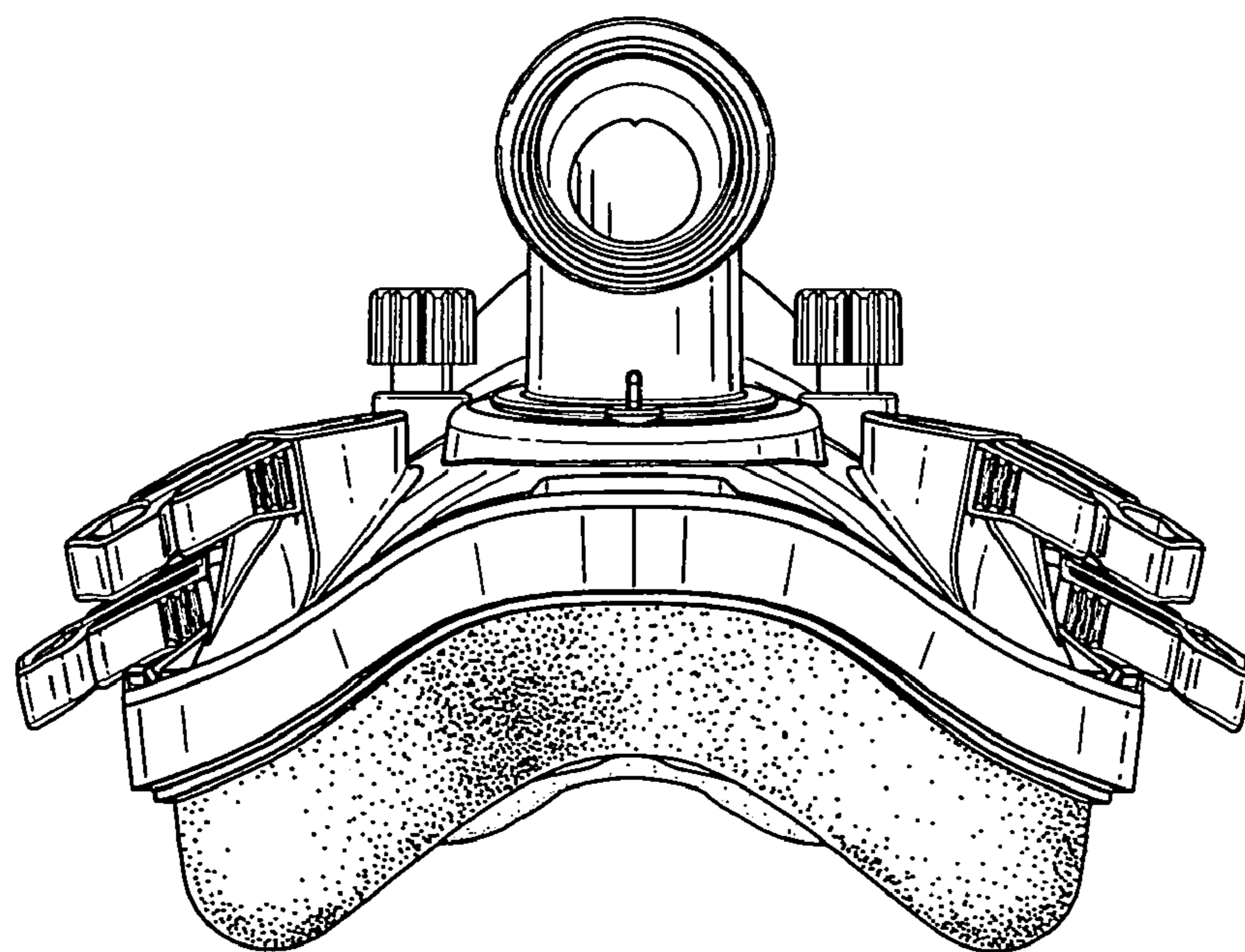


Fig. 6

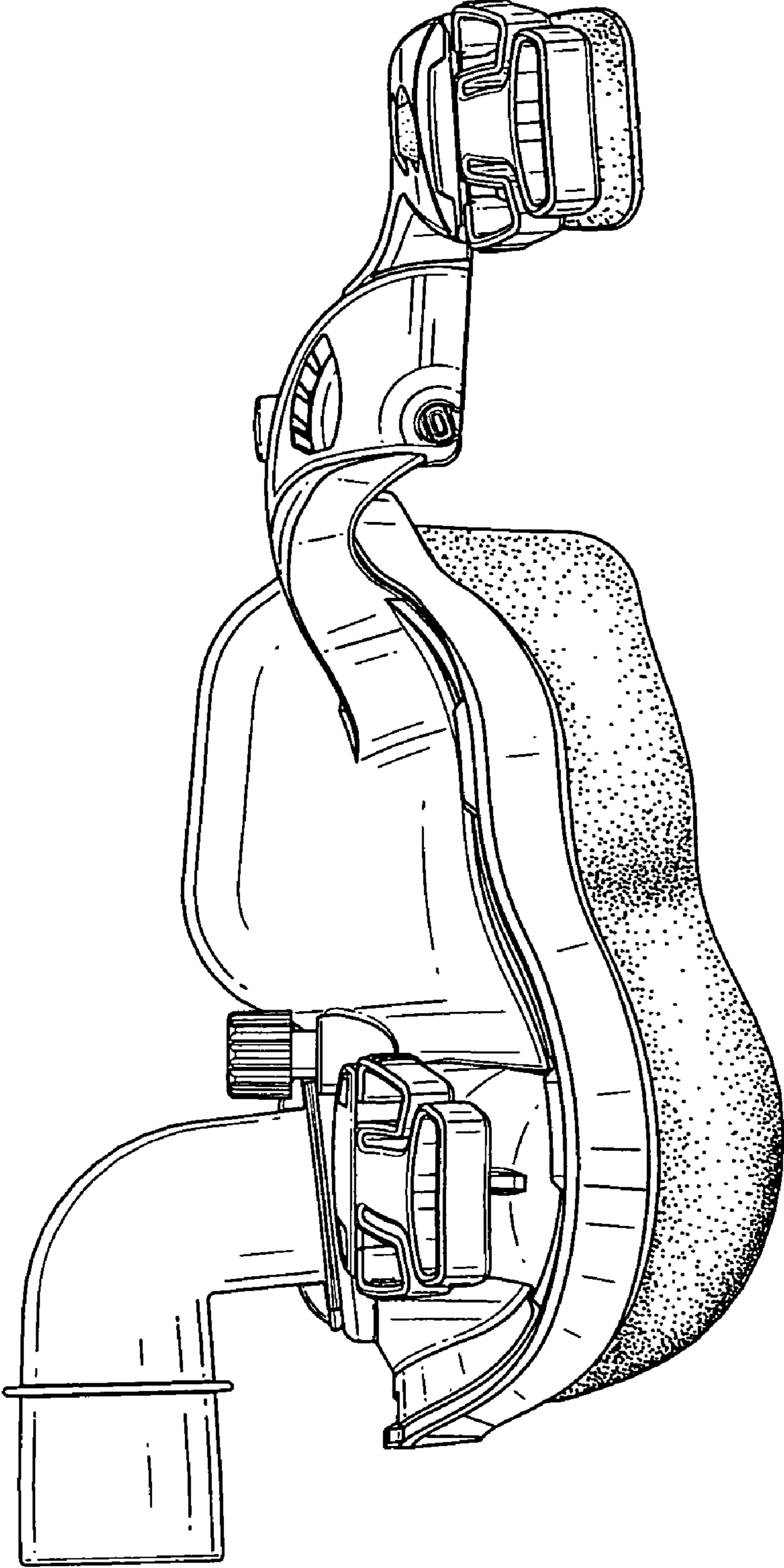


Fig. 7

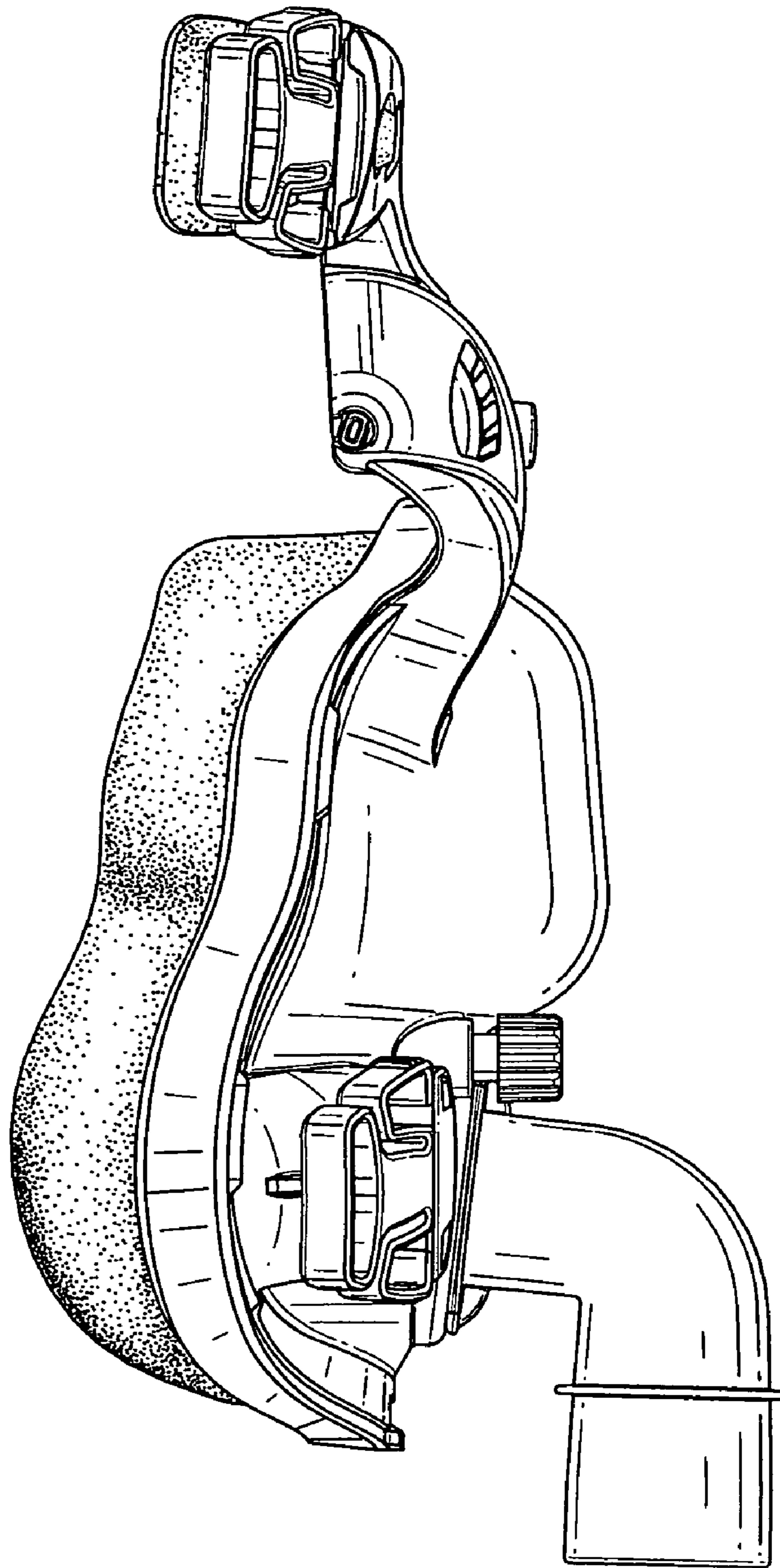


Fig. 8