



US00D586457S

(12) **United States Design Patent**
Clarke et al.

(10) **Patent No.:** **US D586,457 S**

(45) **Date of Patent:** **** Feb. 10, 2009**

(54) **PHARMACEUTICAL INHALER**

2005/0223827 A1* 10/2005 Walker 73/865.9
2006/0102511 A1* 5/2006 Pasbrig et al. 206/531

(75) Inventors: **Roger W. Clarke**, Histon (GB); **Stephen Eason**, Redgrave (GB)

* cited by examiner

(73) Assignee: **Vectura Limited** (GB)

Primary Examiner—Ian Simmons

Assistant Examiner—Christopher Lee

(**) Term: **14 Years**

(74) *Attorney, Agent, or Firm*—Rader, Fishman & Grauer, PLLC

(21) Appl. No.: **29/242,472**

(57) **CLAIM**

(22) Filed: **Nov. 11, 2005**

The ornamental design for a pharmaceutical inhaler, as shown and described.

(30) **Foreign Application Priority Data**

May 11, 2005 (GB) 000338868-0003

DESCRIPTION

(51) **LOC (9) Cl.** **29-02**

FIG. 1 is a view from the rear, left side, and above;

(52) **U.S. Cl.** **D24/110**

FIG. 2 is a view from the front, right side, and below;

(58) **Field of Classification Search** D24/110;
128/203.15, 203.12, 203.21, 203.18, 200.23,
128/200.12, 200.14, 205.15, 205.23, 205.21;
206/389, 395, 393, 394, 397, 400, 484

FIG. 3 is a view from the rear;

FIG. 4 is a view from the front;

FIG. 5 is a view from left side;

See application file for complete search history.

FIG. 6 is a view from right side;

FIG. 7 is a view from above; and,

FIG. 8 is a view from below.

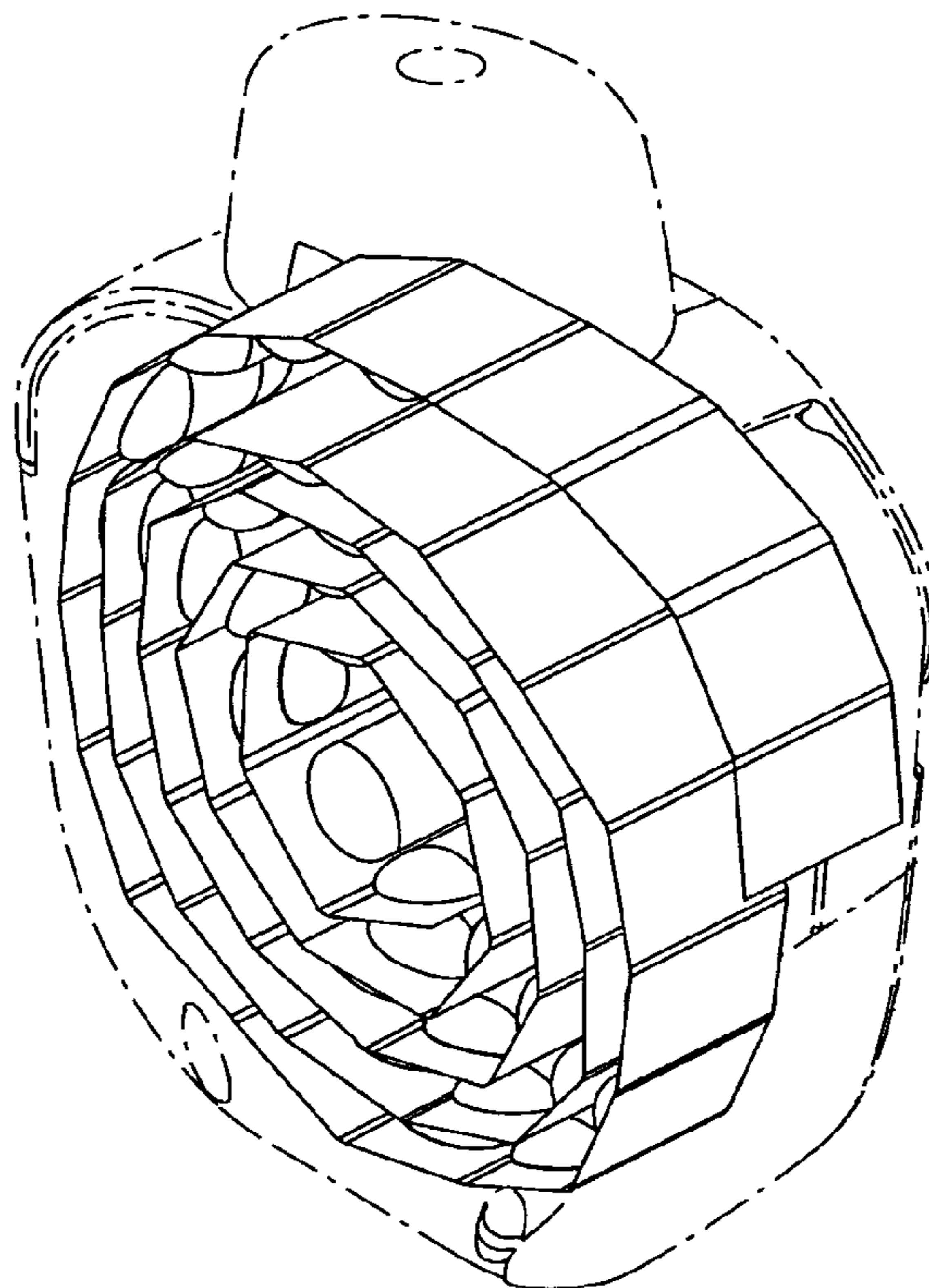
(56) **References Cited**

U.S. PATENT DOCUMENTS

4,090,642 A * 5/1978 Baker 222/94
5,207,217 A * 5/1993 Coccozza et al. 128/203.21
5,873,360 A * 2/1999 Davies et al. 128/203.15
D452,910 S * 1/2002 Braithwaite et al. D24/110
6,698,425 B1 * 3/2004 Widerstrom 128/203.25

The broken line showing of the pharmaceutical inhaler housing in FIGS. 1 and 2 is for illustrative purposes only and forms no part of the claimed design.

1 Claim, 4 Drawing Sheets



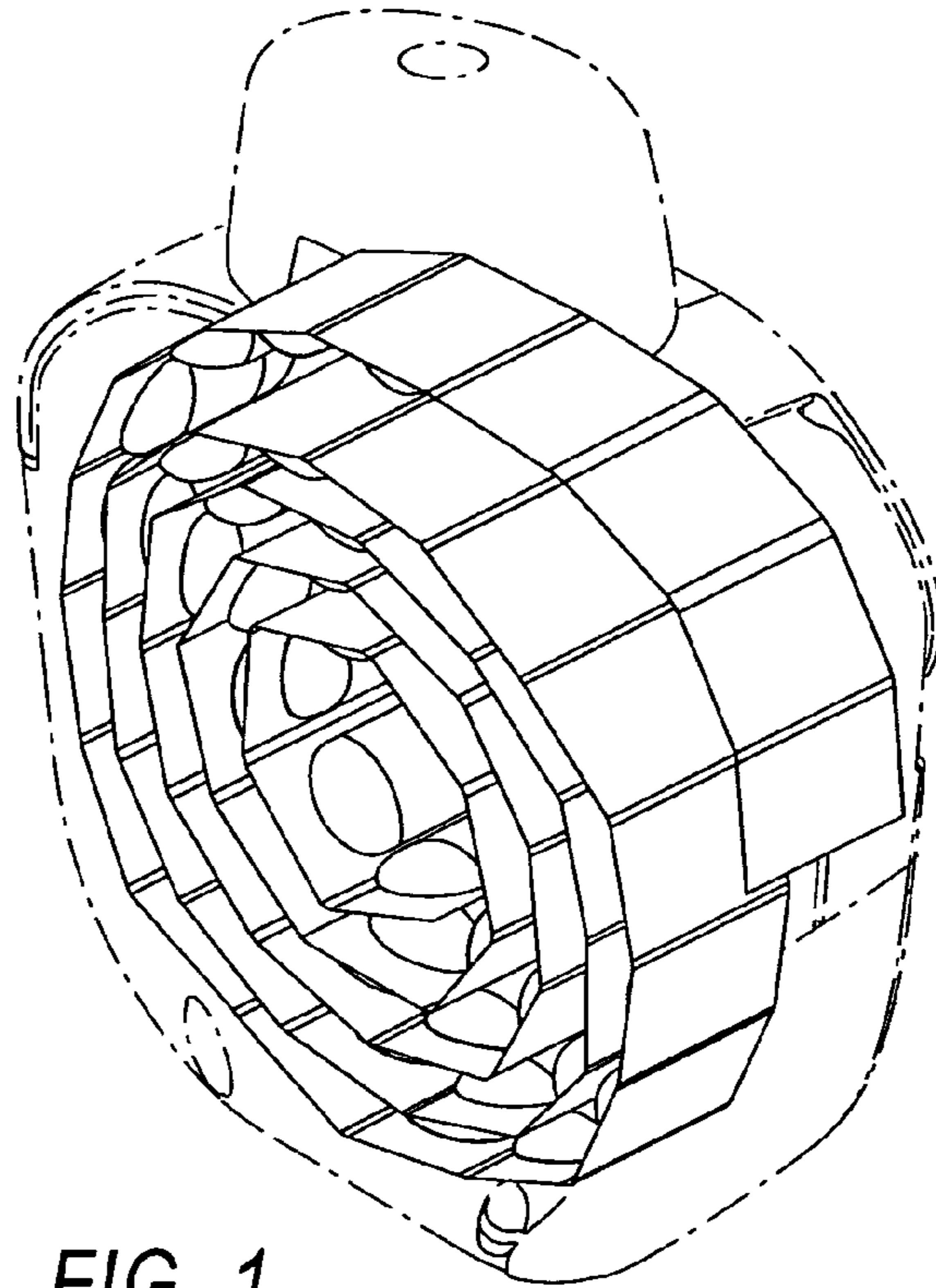


FIG. 1

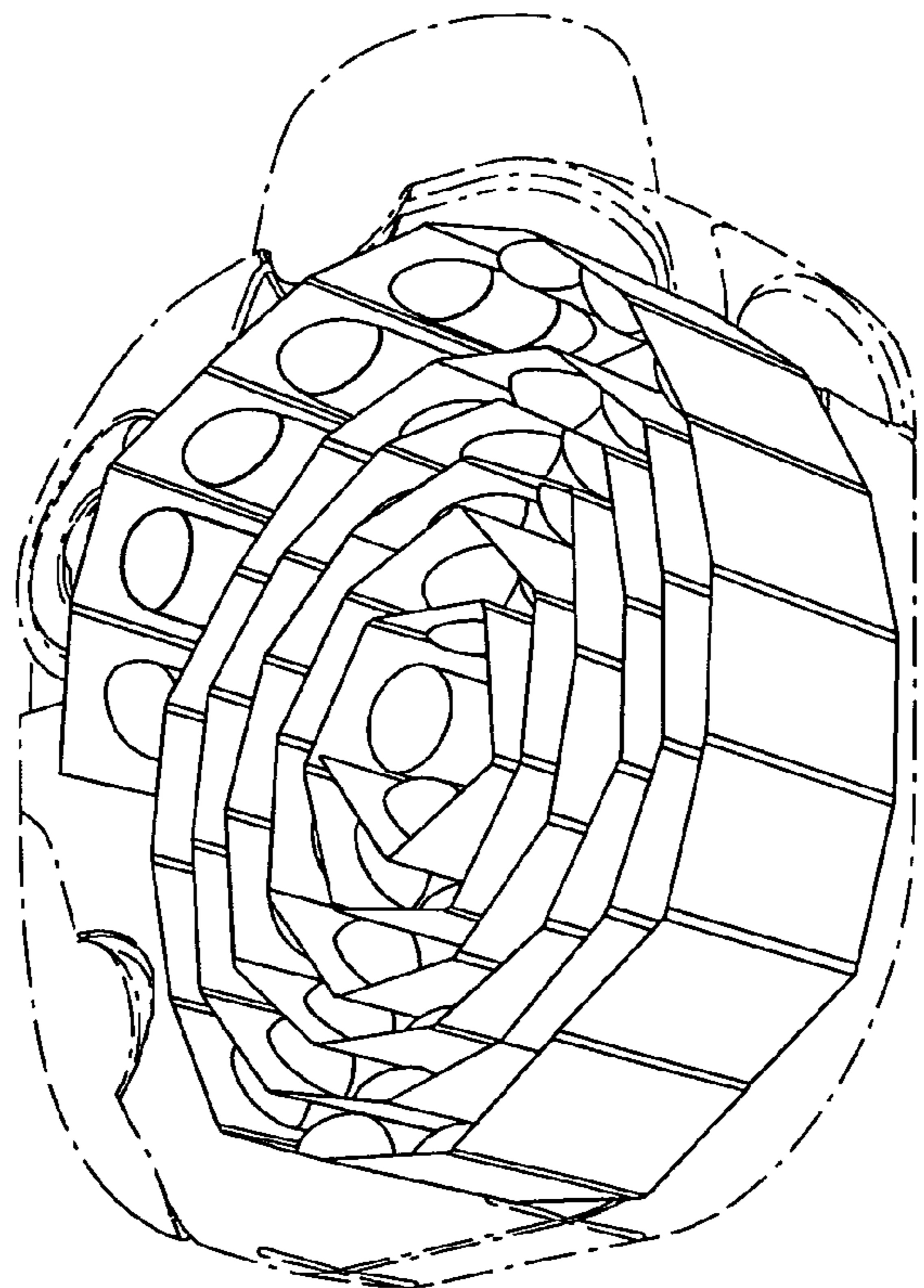


FIG. 2

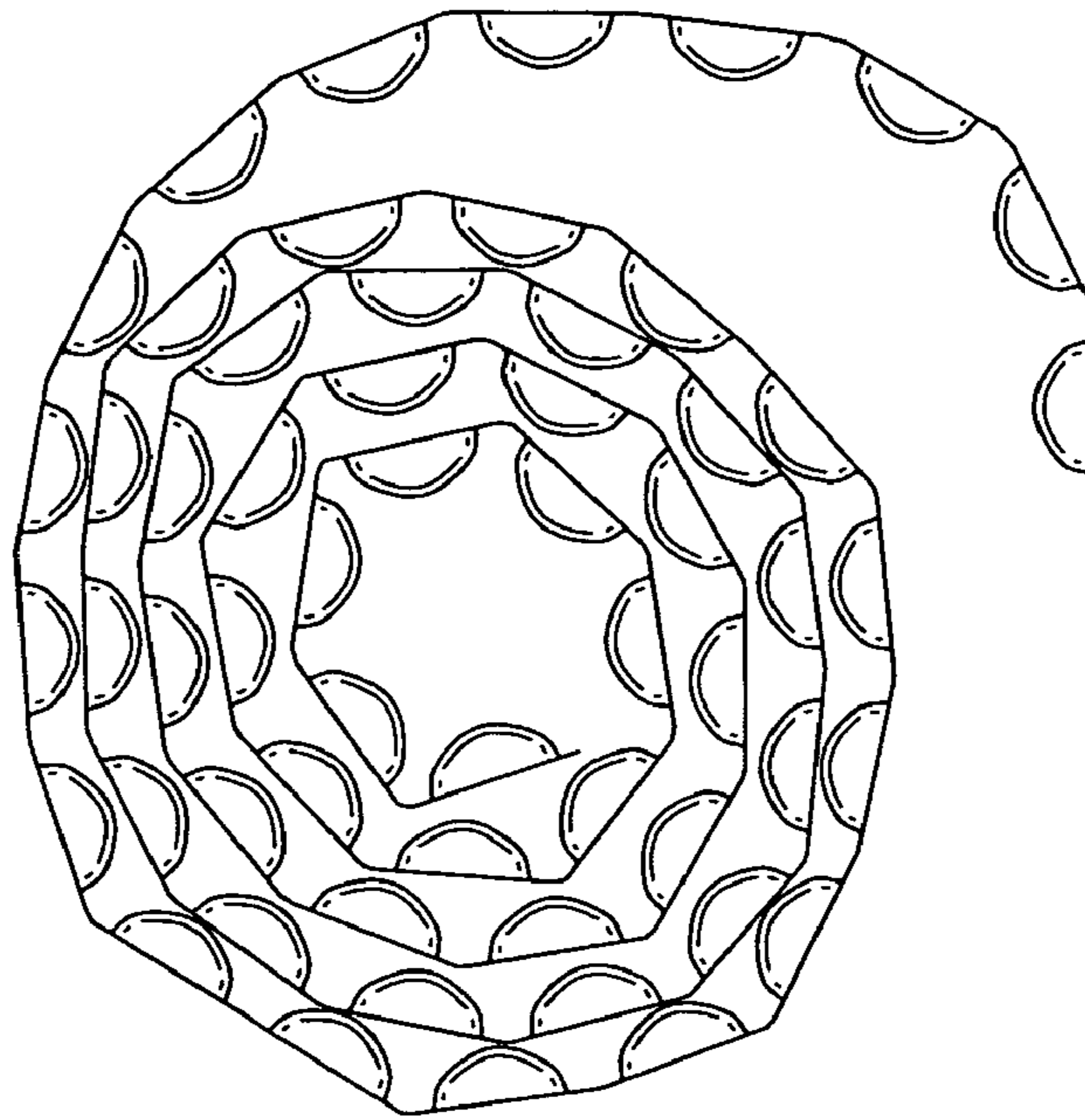


FIG. 3

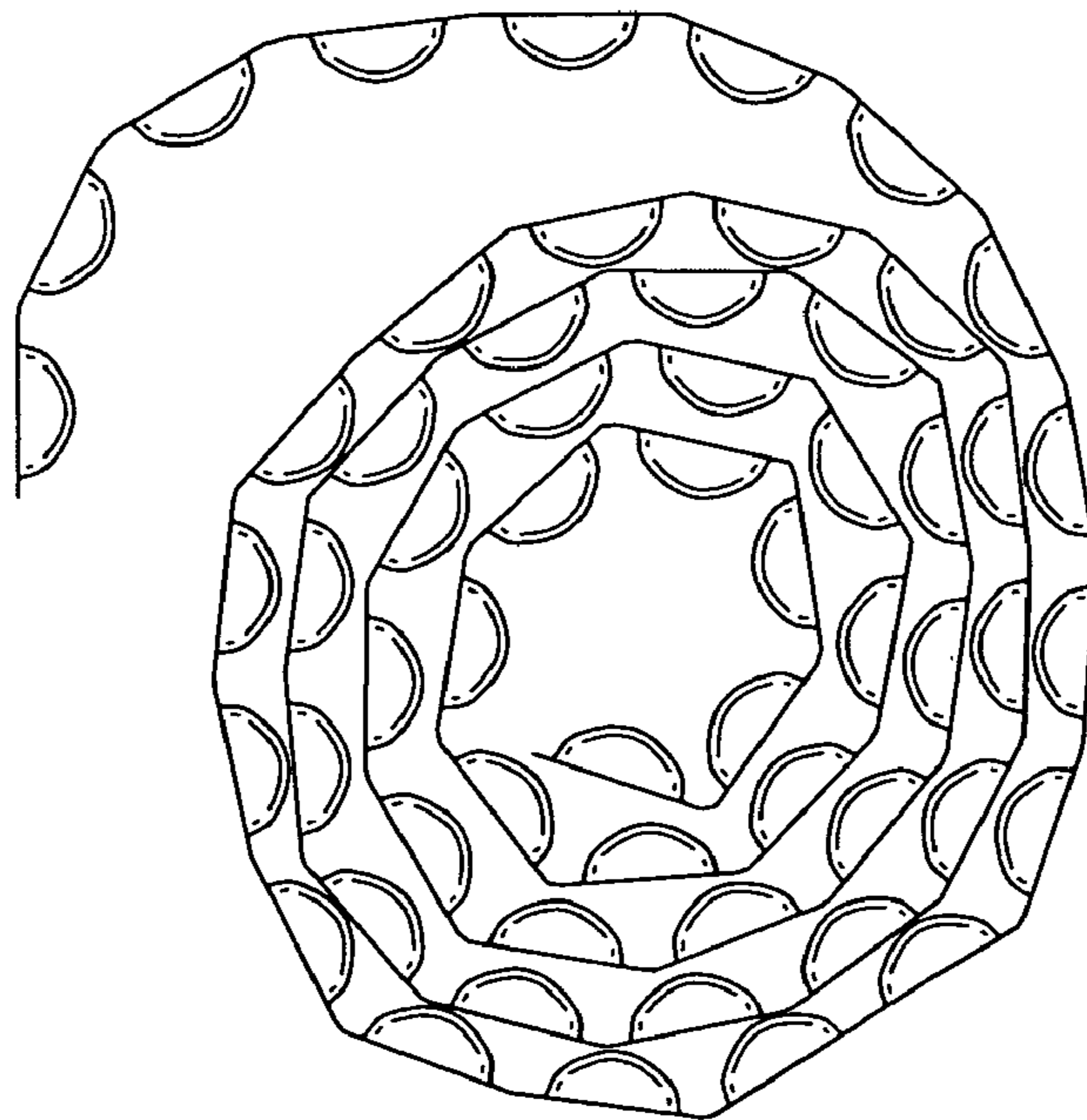


FIG. 4

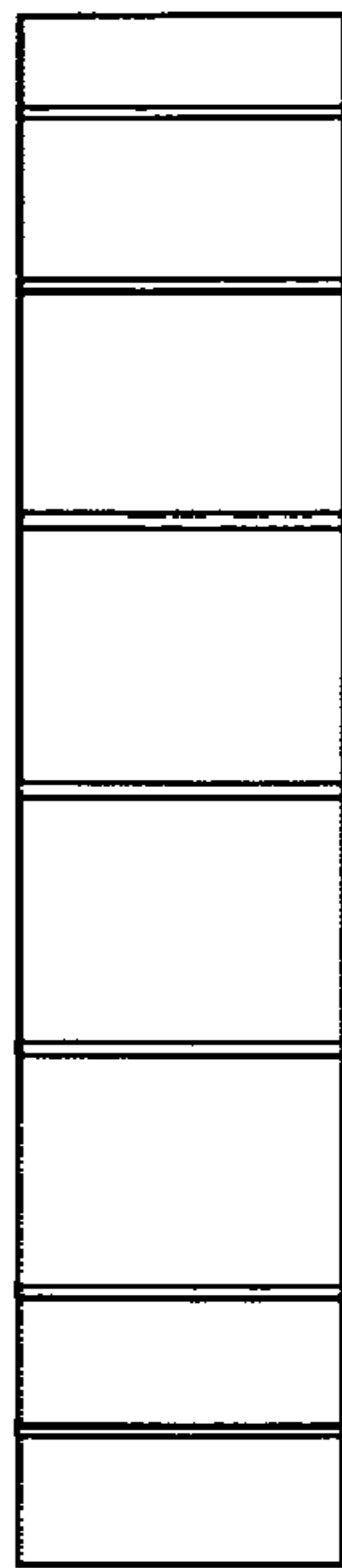


FIG. 5



FIG. 6

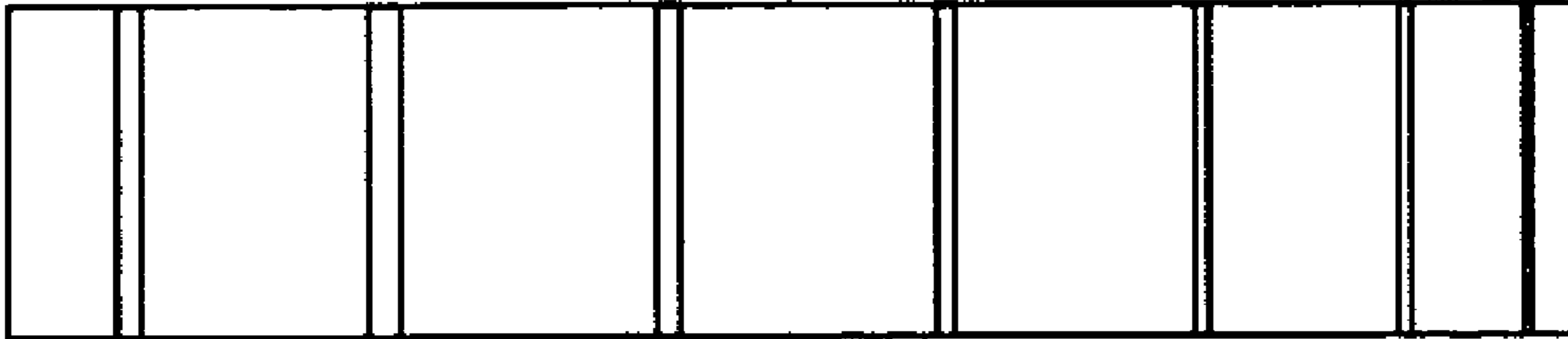


FIG. 7

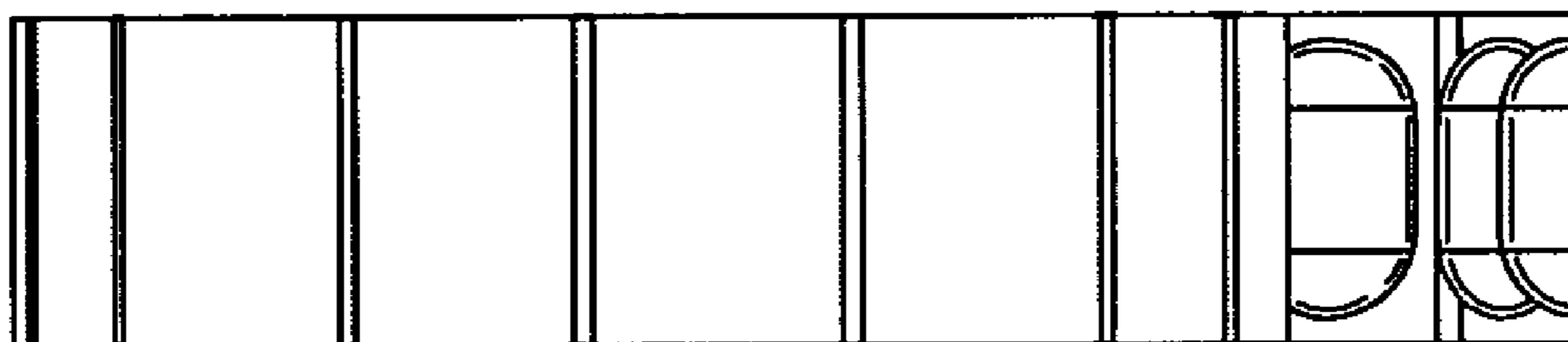


FIG. 8

UNITED STATES PATENT AND TRADEMARK OFFICE
CERTIFICATE OF CORRECTION

PATENT NO. : Des. 586,457 S
APPLICATION NO. : 29/242472
DATED : February 10, 2009
INVENTOR(S) : Roger W. Clarke et al.

Page 1 of 1

It is certified that error appears in the above-identified patent and that said Letters Patent is hereby corrected as shown below:

Title Page, item [30] the foreign priority data should read as follows:

May 11, 2005 ~~(GB)~~ EP..... 000338868-0003

Signed and Sealed this

Seventh Day of April, 2009



JOHN DOLL
Acting Director of the United States Patent and Trademark Office