



US00D586453S

(12) **United States Design Patent**  
**Yusa et al.**

(10) **Patent No.:** **US D586,453 S**

(45) **Date of Patent:** **\*\* \*Feb. 10, 2009**

- (54) **HEAT PROOF GUARD RAIL FOR INDUSTRIAL FURNACES**
- (75) Inventors: **Katsuhiko Yusa**, Fukushima (JP);  
**Yasushi Okada**, Fukushima (JP);  
**Shigetoshi Ajima**, Fukushima (JP)
- (73) Assignee: **Kureha Corporation**, Tokyo (JP)
- (\*) Notice: This patent is subject to a terminal disclaimer.
- (\*\*) Term: **14 Years**
- (21) Appl. No.: **29/267,266**
- (22) Filed: **Oct. 11, 2006**
- (30) **Foreign Application Priority Data**  
Apr. 11, 2006 (JP) ..... 2006-009444
- (51) **LOC (9) Cl.** ..... **23-03**
- (52) **U.S. Cl.** ..... **D23/386**
- (58) **Field of Classification Search** ..... D23/386,  
D23/329, 357, 393, 323, 499, 341, 354, 373,  
D23/328, 355; D8/349, 366, 377, 381, 382,  
D8/354; D25/119, 60, 136; 52/198, 199,  
52/302.1, 57, 60, 58; 248/48.2, 200, 237,  
248/208.236, 247, 300; 160/223; 285/363,  
285/364  
See application file for complete search history.

- (56) **References Cited**  
U.S. PATENT DOCUMENTS
- D251,807 S \* 5/1979 Apri ..... D25/136
- 4,192,119 A \* 3/1980 Murphy ..... D25/119
- 4,461,499 A \* 7/1984 Hunter et al. .... 285/364
- D295,080 S \* 4/1988 Willan ..... D25/60
- 5,016,406 A \* 5/1991 Calam et al. .... 52/58
- 5,054,823 A \* 10/1991 Arnoldt ..... 285/363
- D325,695 S \* 4/1992 Mort ..... D8/382
- 5,356,103 A \* 10/1994 McClurg ..... 248/247
- D376,972 S \* 12/1996 Zissu ..... D8/354
- D396,117 S \* 7/1998 Zaccagni ..... D25/119
- 6,067,759 A \* 5/2000 House ..... 52/198
- 6,293,064 B1 \* 9/2001 Larson ..... 52/302.1
- 6,360,508 B1 \* 3/2002 Pelfrey et al. .... 52/198

- D473,662 S \* 4/2003 Shaw ..... D25/119
- D477,420 S \* 7/2003 Butcher ..... D25/119
- D482,261 S \* 11/2003 Kobayashi ..... D8/349
- D489,463 S \* 5/2004 Barnett ..... D25/119
- D518,186 S \* 3/2006 Zarb ..... D25/119
- D521,657 S \* 5/2006 Zarb ..... D25/136
- D528,669 S \* 9/2006 Zarb ..... D25/136
- D534,790 S \* 1/2007 Garda ..... D8/377
- D543,094 S \* 5/2007 Remmers ..... D8/377
- 2001/0025458 A1 \* 10/2001 James et al. .... 52/58
- 2005/0055903 A1 \* 3/2005 Greenberg ..... 52/198

\* cited by examiner

*Primary Examiner*—Louis S Zarfaz  
*Assistant Examiner*—David G Muller  
(74) *Attorney, Agent, or Firm*—Jacobson Holman PLLC

(57) **CLAIM**

The ornamental design for a heat proof guard rail for industrial furnaces, as shown and described.

**DESCRIPTION**

FIG. 1 is a front perspective view of the heat proof guard rail for industrial furnaces showing its indefinite length.

FIG. 2 is a rear perspective view thereof.

FIG. 3 is a front view thereof.

FIG. 4 is a rear view thereof.

FIG. 5 is a top view thereof.

FIG. 6 is a bottom view thereof.

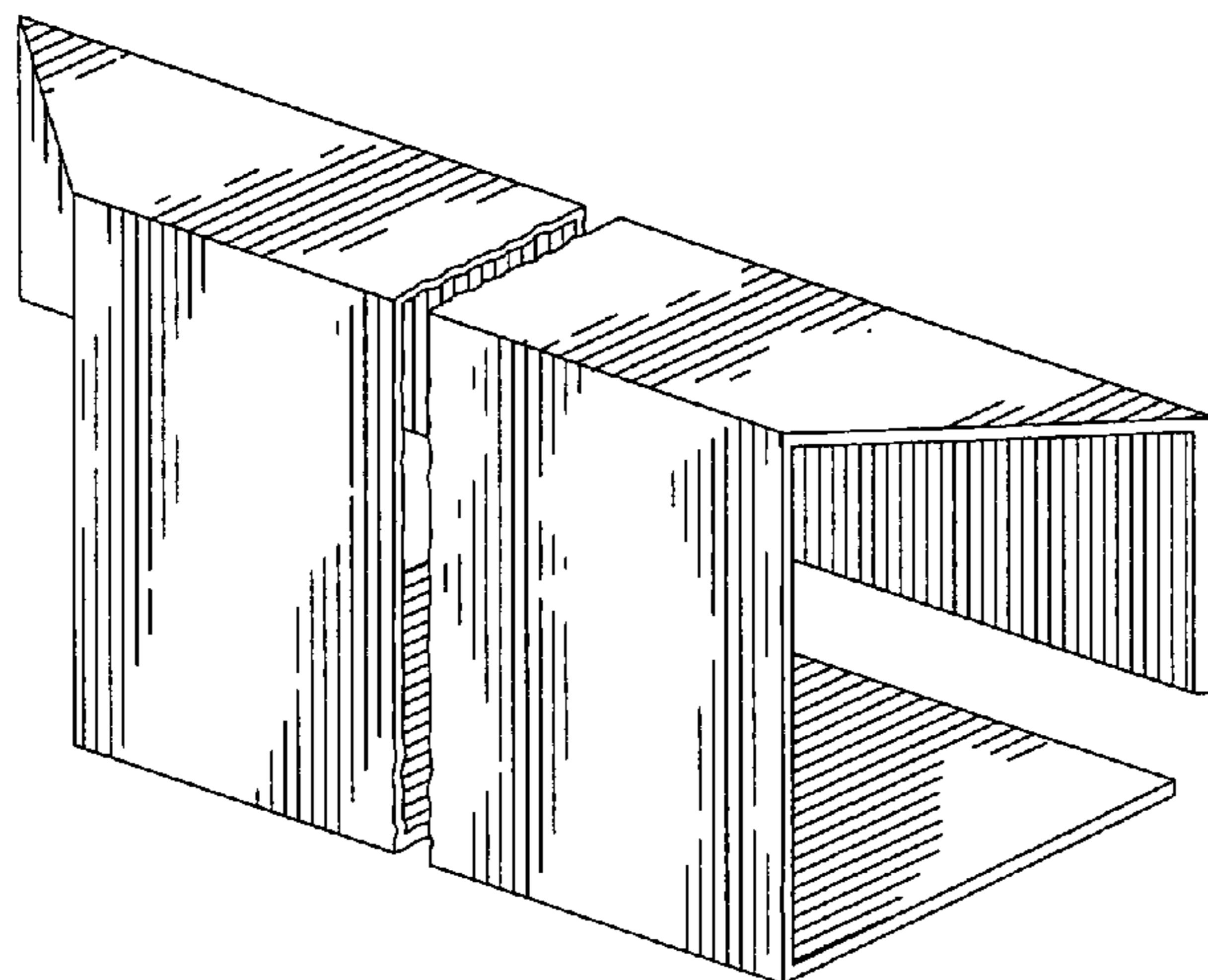
FIG. 7 is a right side view thereof, the left side view being a mirror image.

FIG. 8 is a perspective view depicting the article in use in an industrial furnace; and,

FIG. 9 is a section view taken along line 9—9 of FIG. 8.

The claimed design is shown broken away to indicate indeterminate length. The broken line showing of parts of the drawings is included for the purpose of illustrating use and environment and forms no part of the claimed design.

**1 Claim, 4 Drawing Sheets**



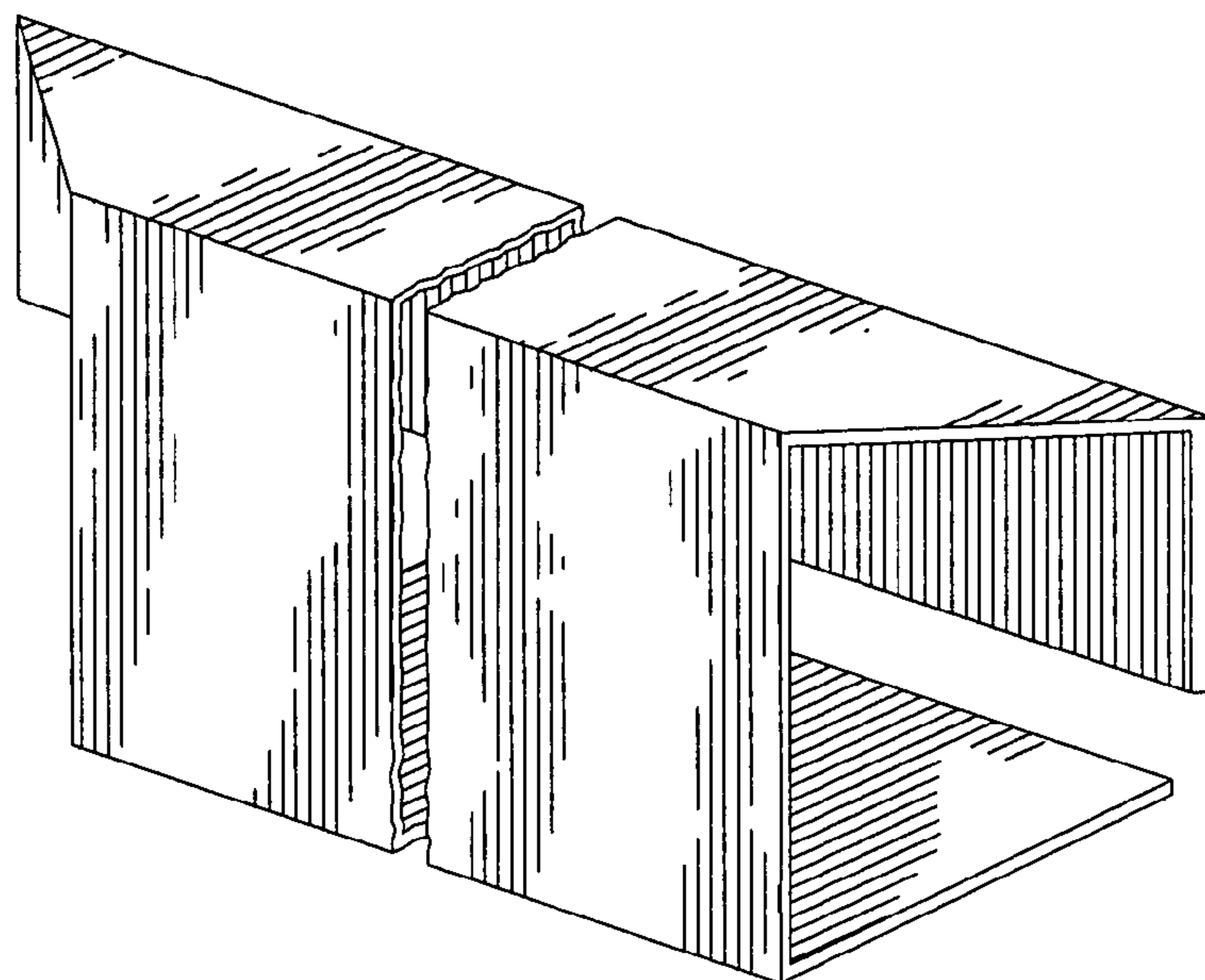


FIG. 1

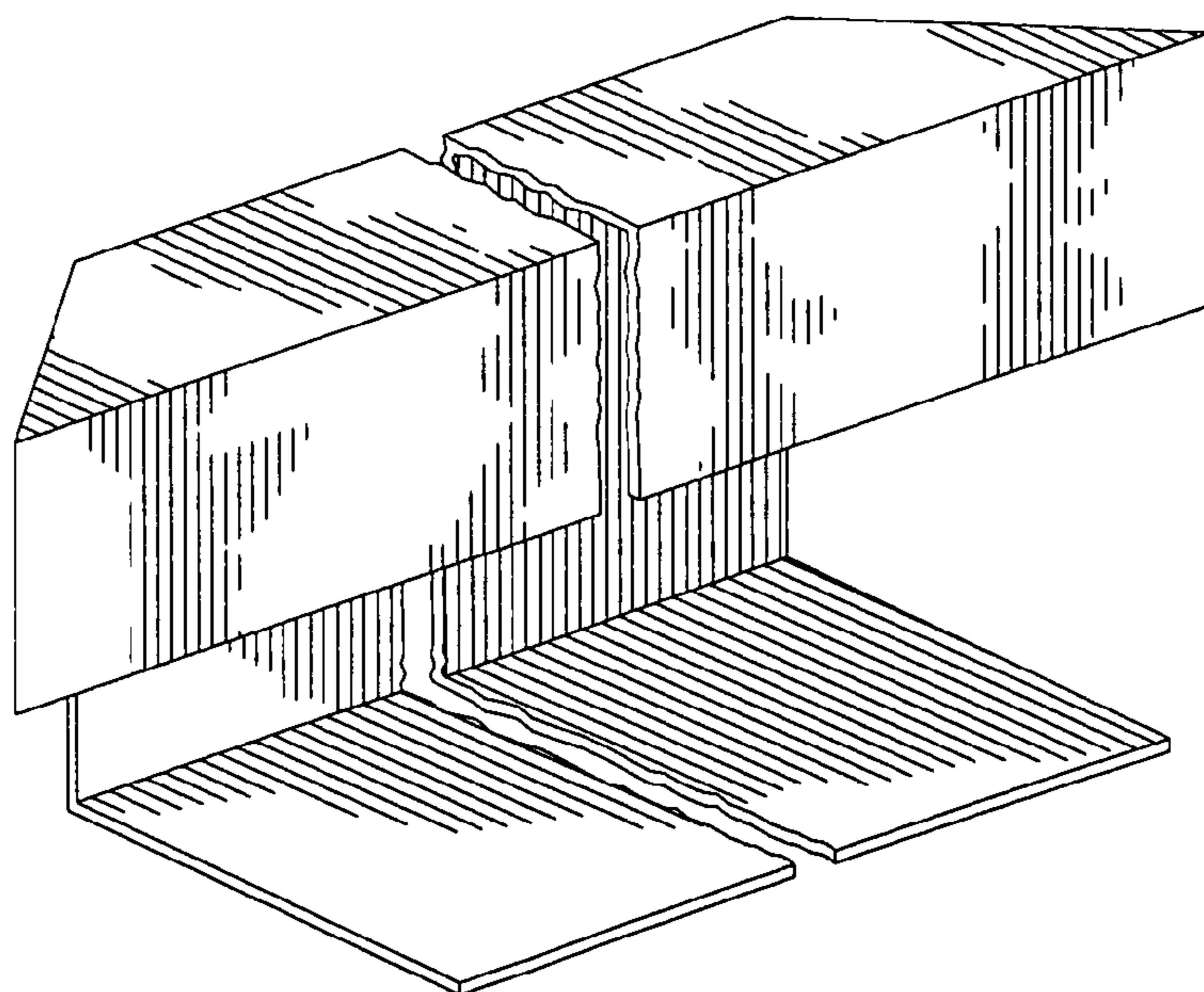


FIG. 2

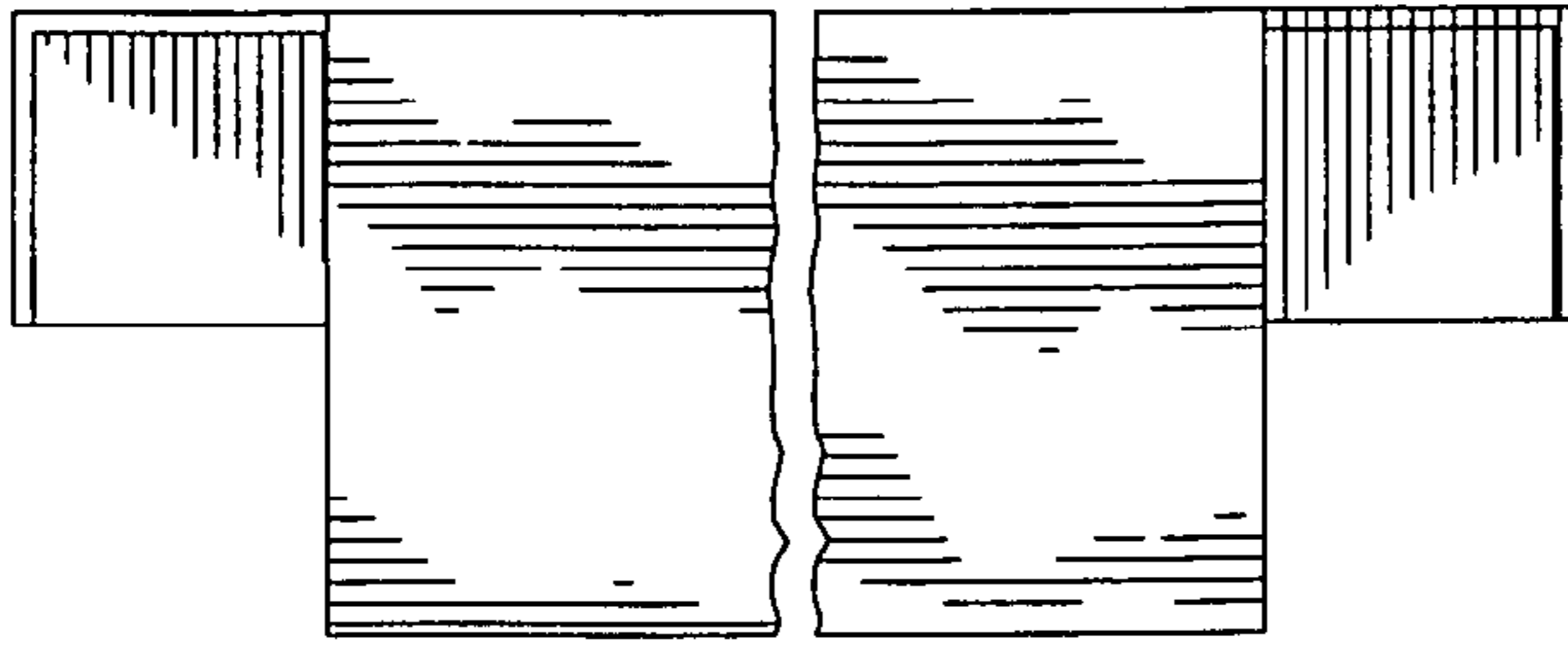


FIG. 3

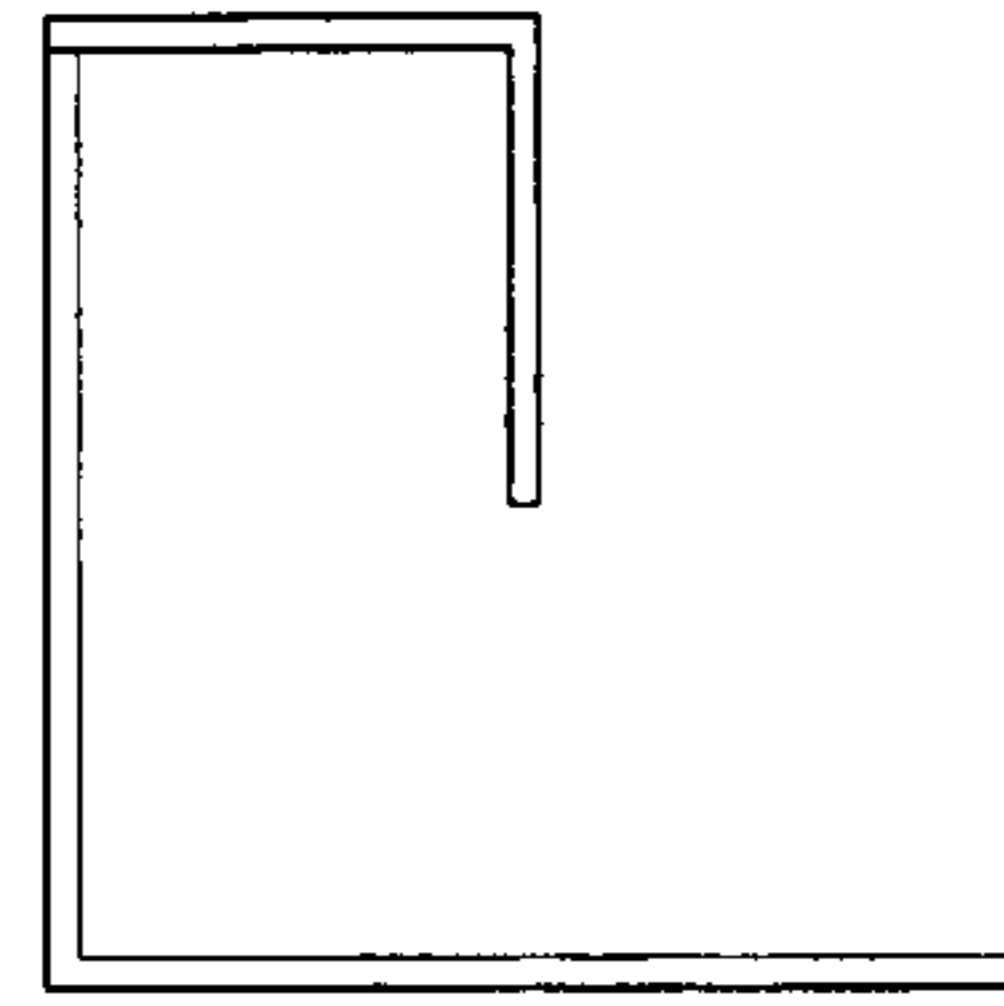


FIG. 7

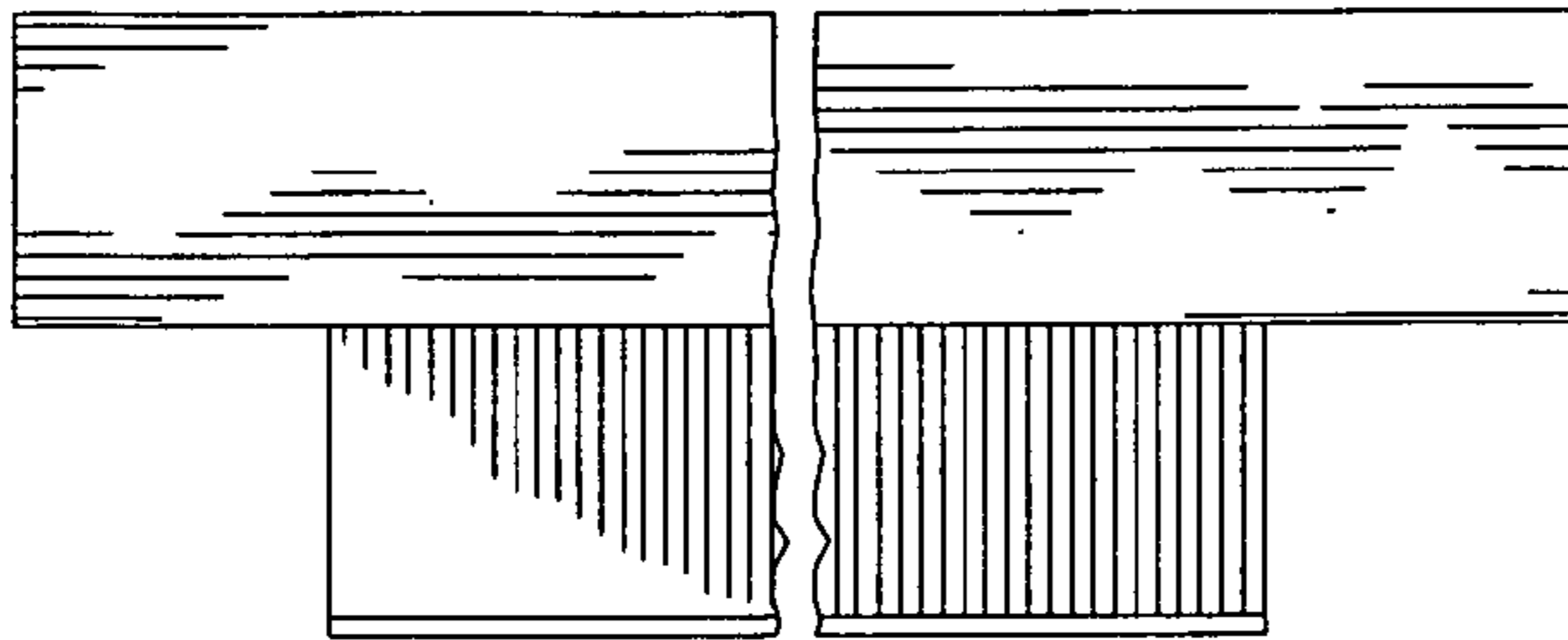


FIG. 4

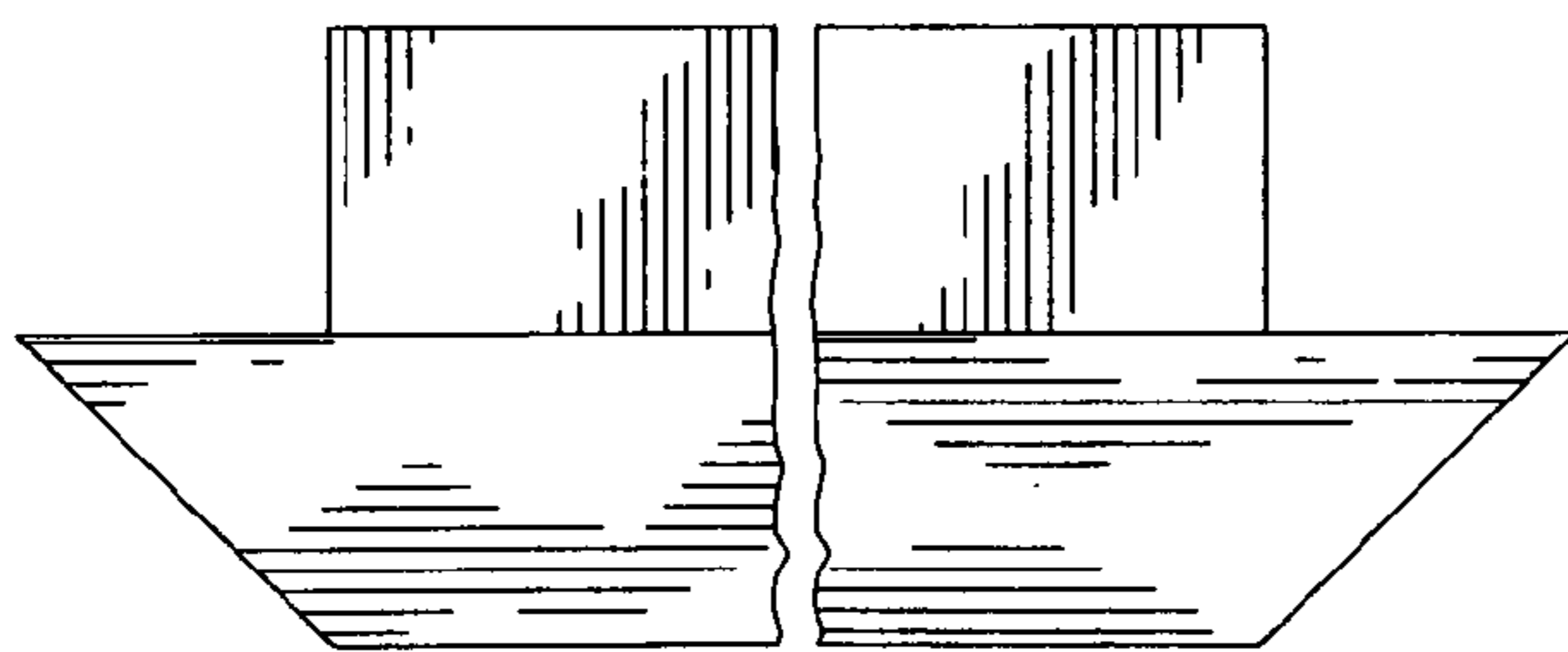


FIG. 5

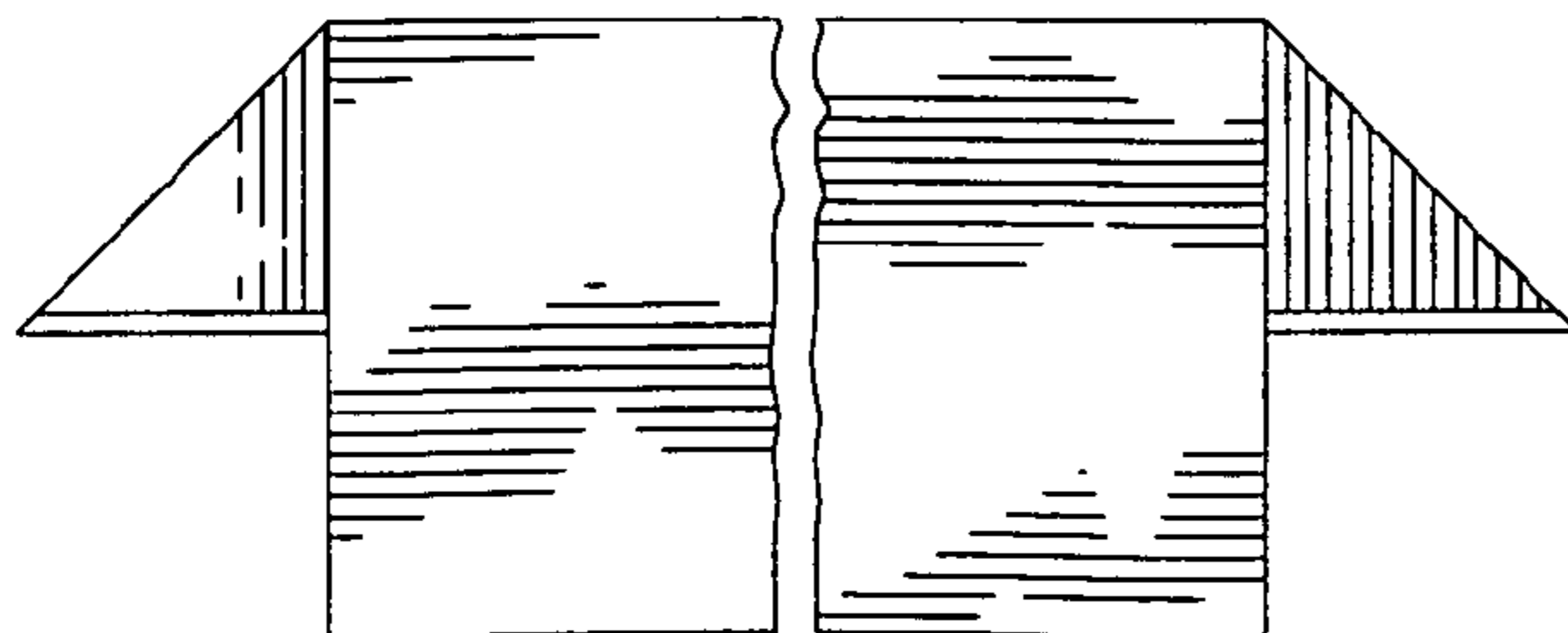


FIG. 6

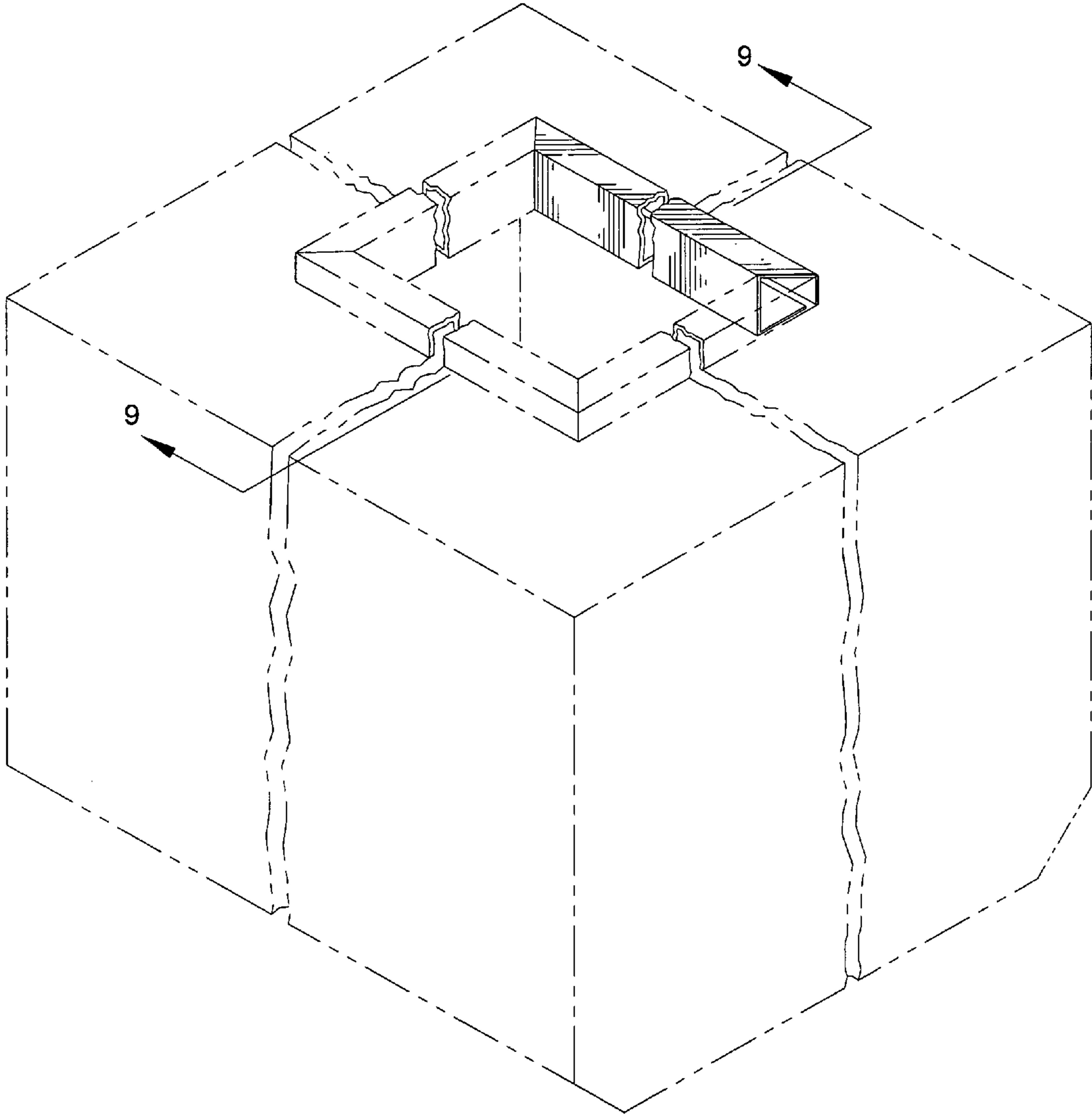


FIG. 8

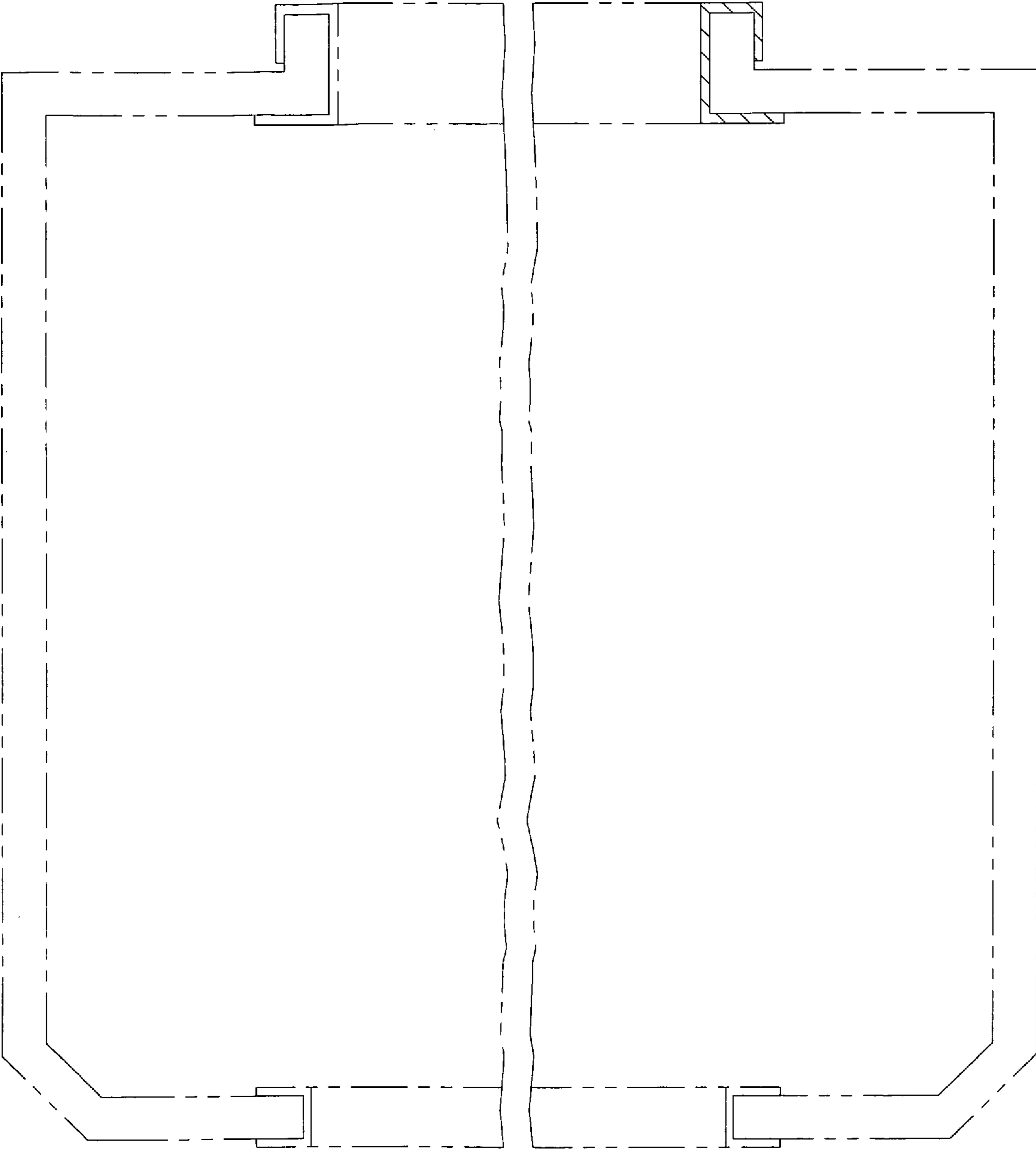


FIG. 9