



US00D586452S

(12) **United States Design Patent**
Orozco

(10) **Patent No.:** **US D586,452 S**
(45) **Date of Patent:** **** Feb. 10, 2009**

(54) **COMBINED CEILING FAN AND LIGHT SHADE**

(75) Inventor: **Sergio Orozco**, West New York, NJ (US)

(73) Assignee: **King Of Fans, Inc.**, Ft. Lauderdale, FL (US)

(**) Term: **14 Years**

(21) Appl. No.: **29/297,355**

(22) Filed: **Nov. 9, 2007**

(51) **LOC (9) Cl.** **23-04**

(52) **U.S. Cl.** **D23/377**

(58) **Field of Classification Search** D23/377,
D23/379, 385, 411, 413; 416/5; D26/59,
D26/72, 81-86, 88, 51

See application file for complete search history.

D451,997 S	12/2001	Schwartz	
D454,636 S	3/2002	Lantz	
D456,893 S *	5/2002	Hsieh	D23/411
D459,467 S	6/2002	Wilson, Jr.	
D462,756 S	9/2002	Liu	
D464,712 S	10/2002	Fok	
D469,950 S	2/2003	Scalise et al.	
D479,874 S	9/2003	Shapiro	
D480,466 S	10/2003	Bucher et al.	
D480,471 S	10/2003	Hsieh	
D482,778 S	11/2003	Shapiro	
D483,466 S	12/2003	Shapiro	
D484,234 S	12/2003	Wilson, Jr.	
D486,216 S	2/2004	Wilson, Jr.	
D486,217 S	2/2004	Shapiro	
D486,218 S	2/2004	Shapiro	
D486,222 S	2/2004	Shapiro	
D488,551 S	4/2004	Shapiro	
D495,817 S	9/2004	Bucher et al.	
D496,119 S	9/2004	Bucher et al.	
D497,022 S	10/2004	Bucher et al.	

(56) **References Cited**

U.S. PATENT DOCUMENTS

D307,320 S	4/1990	Shin-Chin	
D322,669 S	12/1991	Yamamoto et al.	
D323,885 S	2/1992	Wortham	
D329,284 S	9/1992	Patton	
D364,224 S	11/1995	Wang	
D371,838 S	7/1996	Davis, Jr. et al.	
D378,404 S	3/1997	Jaspers-Fayer	
D384,738 S	10/1997	Jane	
D402,026 S	12/1998	Chuang et al.	
D408,518 S	4/1999	Liu	
D411,295 S	6/1999	Evans	
D412,571 S	8/1999	Lee	
D414,856 S	10/1999	Zuege	
D416,617 S	11/1999	Jane et al.	
D421,115 S *	2/2000	Gee, II	D23/411
D421,799 S	3/2000	Zuege	
D422,072 S	3/2000	Blateri	
D423,093 S	4/2000	Fok	
D426,296 S	6/2000	Blateri	
D426,631 S	6/2000	Thakur	
D426,879 S	6/2000	Gajewski	
D443,352 S	6/2001	Lantz	
D444,552 S	7/2001	Wang	

(Continued)

Primary Examiner—Lisa P Lichtenstein

(74) *Attorney, Agent, or Firm*—Brian S. Steinberger; Law Offices of Brian S. Steinberger, P.A.

(57) **CLAIM**

The ornamental design for a combined ceiling fan and light shade, and blade arms, as shown and described.

DESCRIPTION

FIG. 1 is a lower perspective view of the combined ceiling fan and light shade;

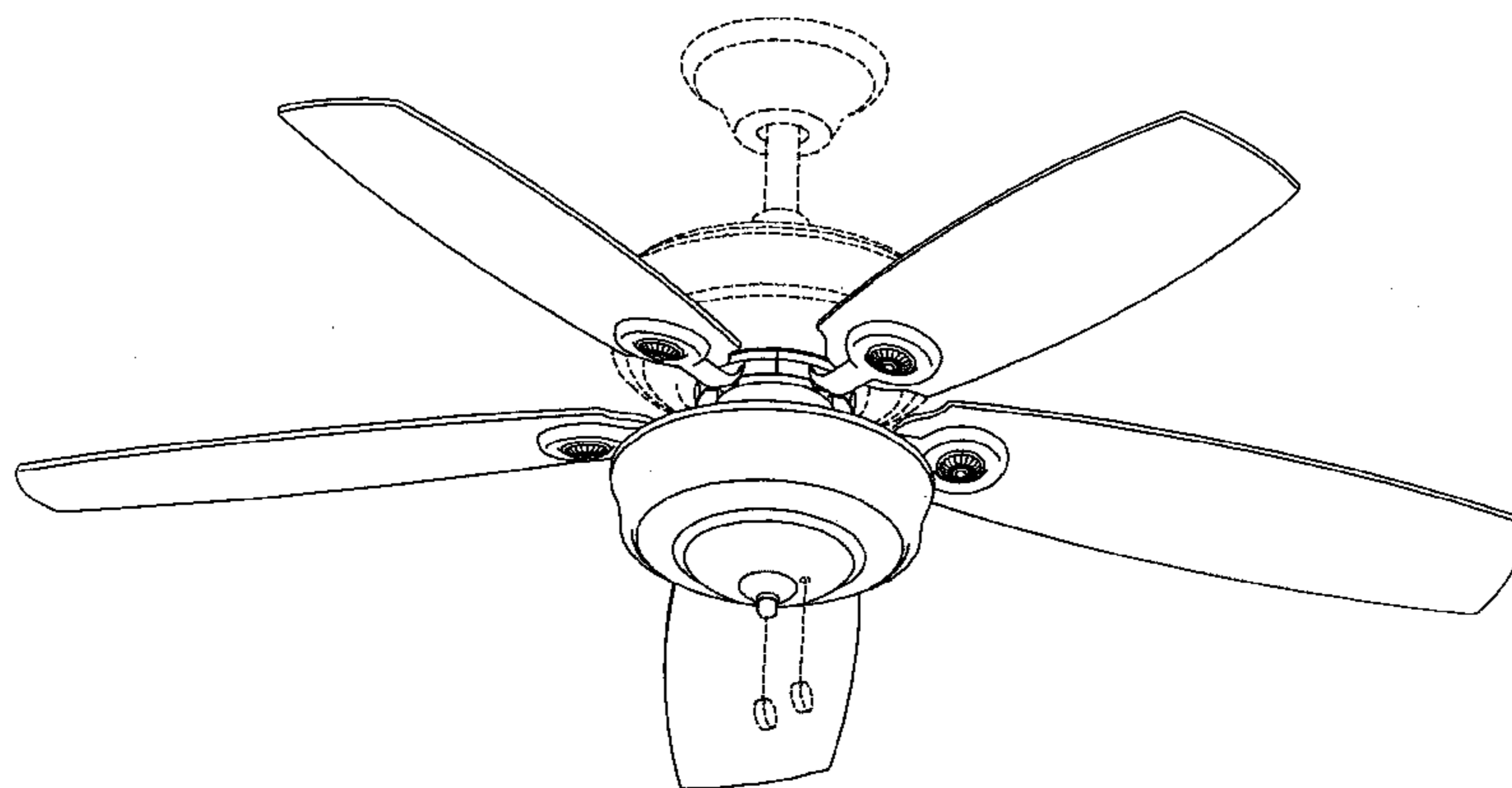
FIG. 2 is a reduced top view thereof;

FIG. 3 is a reduced bottom view thereof; and,

FIG. 4 is a side view thereof.

The broken line showing of the canopy, support rod, ceiling fan housing, switch housing, apertures and pull cords is included for the purpose of illustrating environmental structure and forms no part of the claimed design.

1 Claim, 4 Drawing Sheets



US D586,452 S

Page 2

U.S. PATENT DOCUMENTS

D500,160 S 12/2004 Bucher et al.
D500,161 S 12/2004 Bucher et al.

D500,876 S 1/2005 Bucher et al.
D523,137 S * 6/2006 Wang D23/411

* cited by examiner

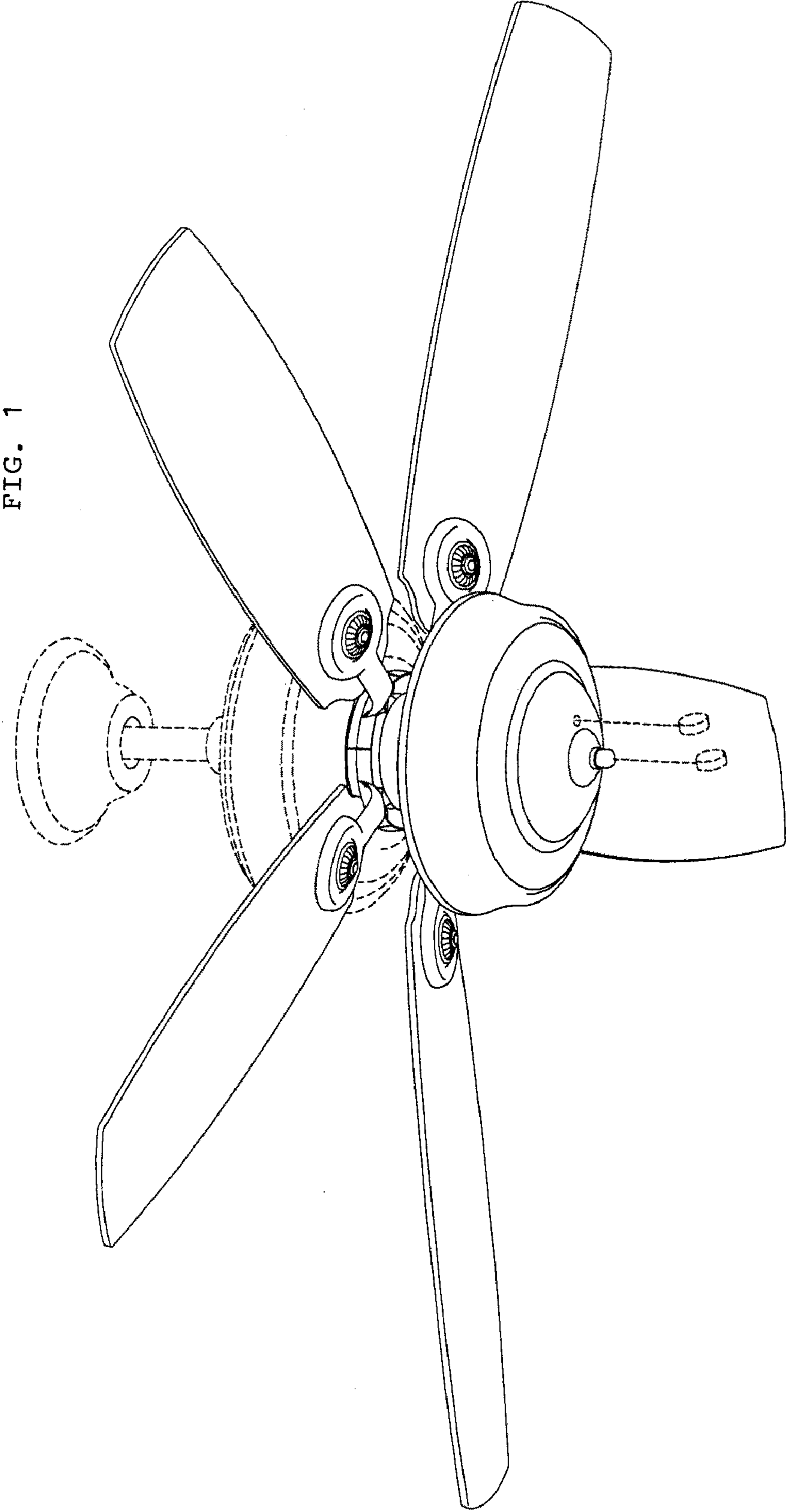


FIG. 2

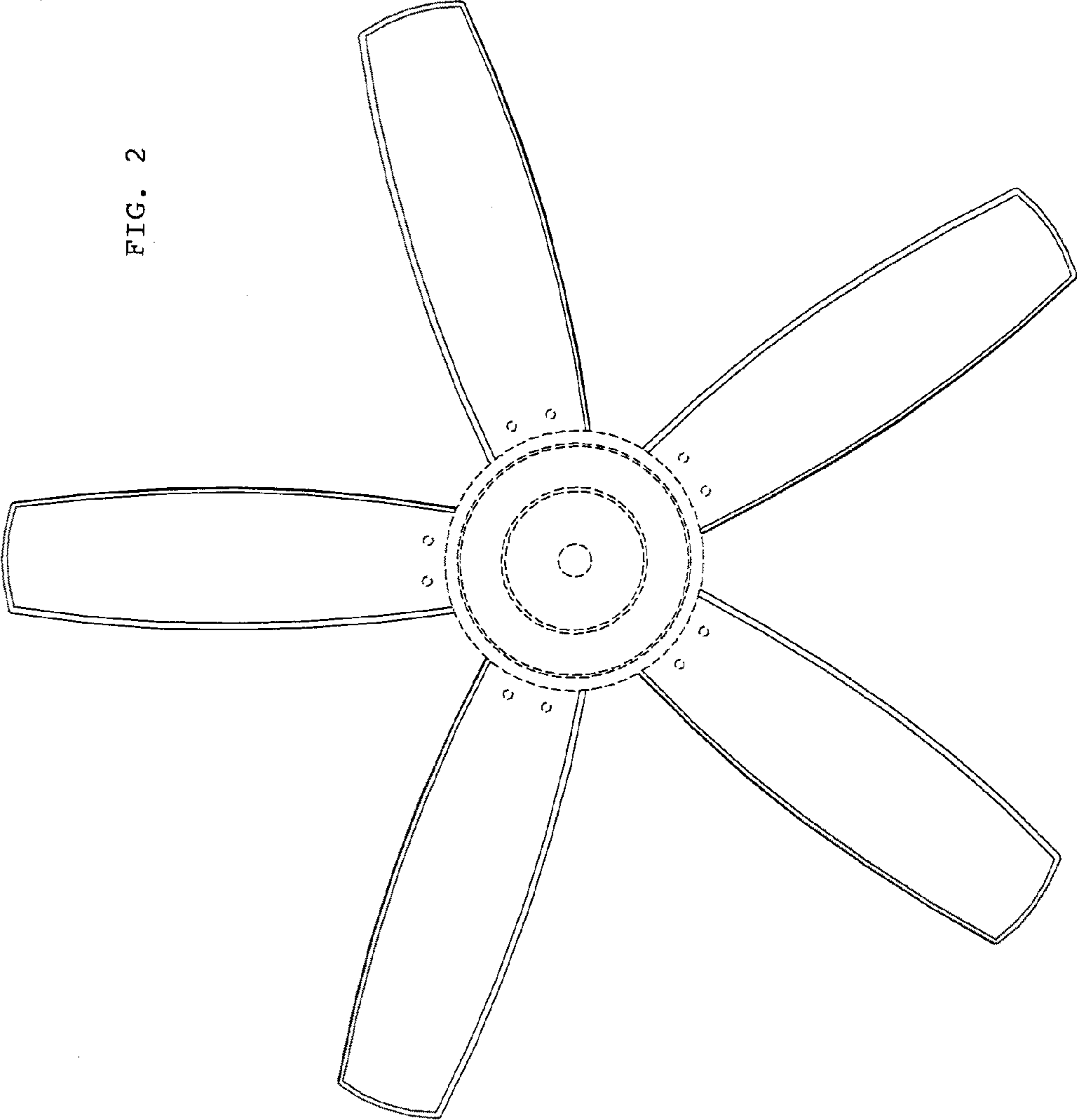


FIG. 3

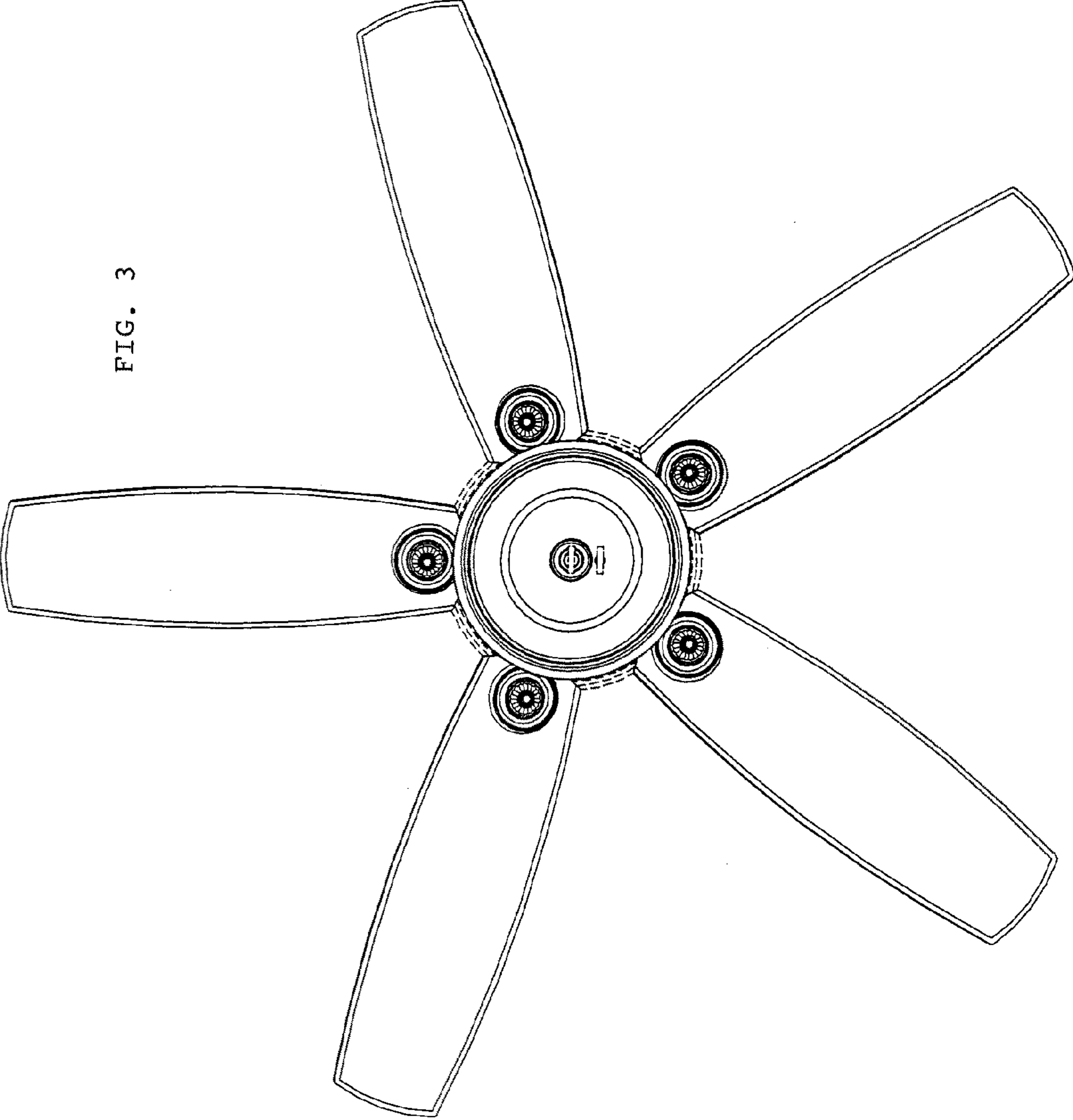


FIG. 4

