



US00D586451S

(12) **United States Design Patent**
Murai

(10) **Patent No.:** **US D586,451 S**

(45) **Date of Patent:** **** Feb. 10, 2009**

(54) **AIR PURIFIER**

(75) Inventor: **Yuuichi Murai**, Kusatsu (JP)

(73) Assignee: **Daikin Industries Ltd.**, Osaka-Shi,
Osaka (JP)

(**) Term: **14 Years**

(21) Appl. No.: **29/300,671**

(22) Filed: **Apr. 24, 2008**

(30) **Foreign Application Priority Data**

Jan. 22, 2008 (JP) 2008-001056

(51) **LOC (9) Cl.** **23-04**

(52) **U.S. Cl.** **D23/364**

(58) **Field of Classification Search** D23/364,
D23/355, 356, 359, 360, 362, 352, 366, 369,
D23/332, 333, 335, 336, 342, 351; 422/120,
422/122; 55/356, 473, 504; 96/97; D14/188,
D14/170, 172; 261/DIG. 17, DIG. 65, DIG. 88,
261/DIG. 31

See application file for complete search history.

(56) **References Cited**

U.S. PATENT DOCUMENTS

D514,211 S * 1/2006 Nakamura D23/364
D521,135 S * 5/2006 Kita D23/364
D537,157 S * 2/2007 Murai D23/364
D544,082 S * 6/2007 Fujii D23/364
D548,825 S * 8/2007 Suzuki et al. D23/364
D550,343 S * 9/2007 Chen D23/364
D550,826 S * 9/2007 Murai D23/364

D557,783 S * 12/2007 Yoo et al. D23/359
D558,867 S * 1/2008 Chun et al. D23/351
D564,645 S * 3/2008 Shapiro D23/332
D566,819 S * 4/2008 Chiu D23/333
D568,452 S * 5/2008 Gebhardt D23/364
D572,810 S * 7/2008 Chiu D23/333

* cited by examiner

Primary Examiner—T. Chase Nelson

Assistant Examiner—David G Muller

(74) *Attorney, Agent, or Firm*—Manabu Kanesaka

(57) **CLAIM**

The ornamental design for an air purifier, as shown and described.

DESCRIPTION

FIG. 1 is a perspective view of an air purifier showing my new design;

FIG. 2 is a front view thereof;

FIG. 3 is a rear view thereof;

FIG. 4 is a right side view thereof;

FIG. 5 is a left side view thereof;

FIG. 6 is a top plan view thereof;

FIG. 7 is a bottom plan view thereof; and,

FIG. 8 is a cross sectional view thereof taken along line 8—8 in FIG. 2.

The broken line showing of parts of the drawings is included for the purpose of illustrating use and environment and forms no part of the claimed design.

1 Claim, 7 Drawing Sheets

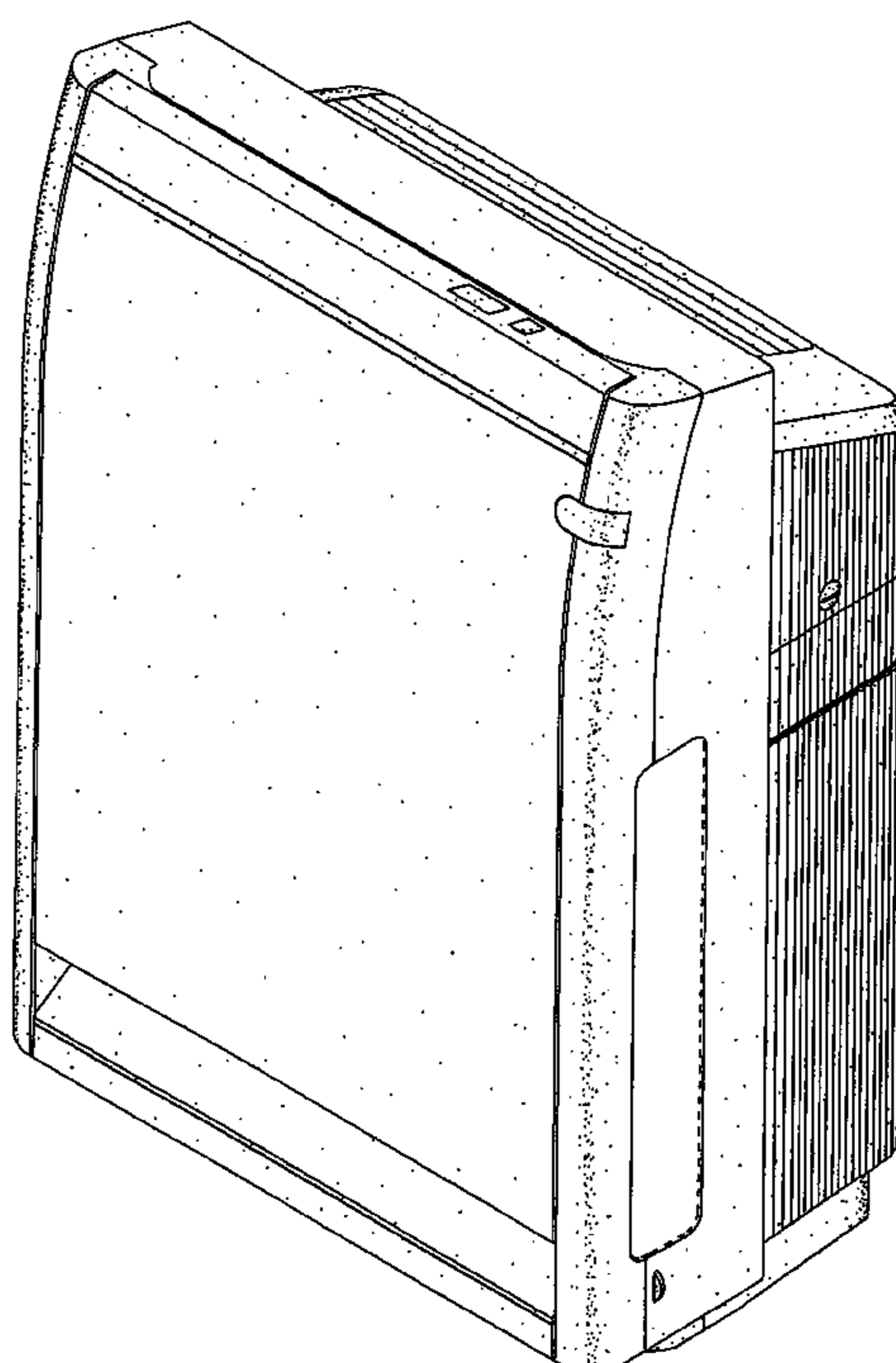


Fig. 1

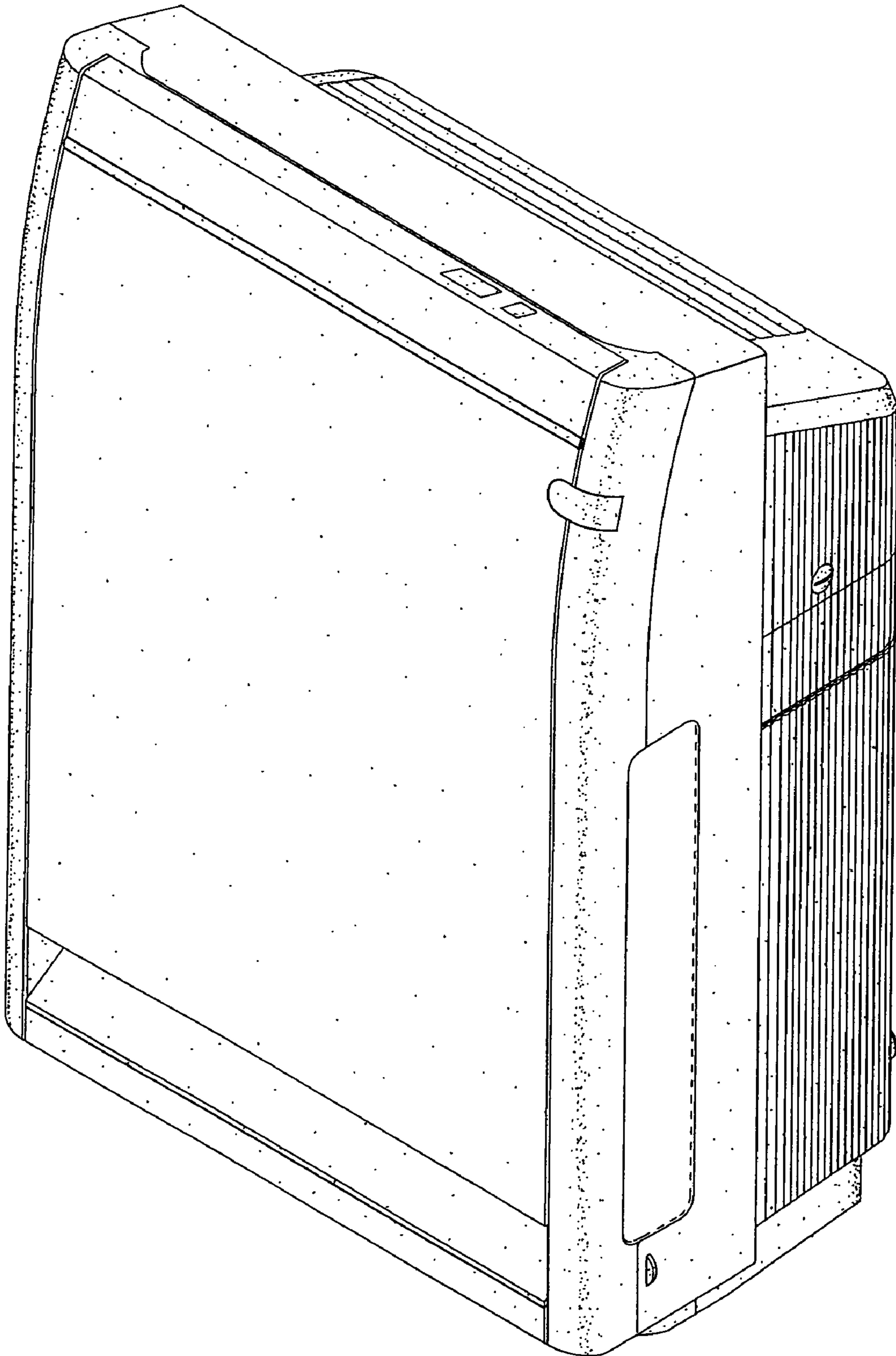
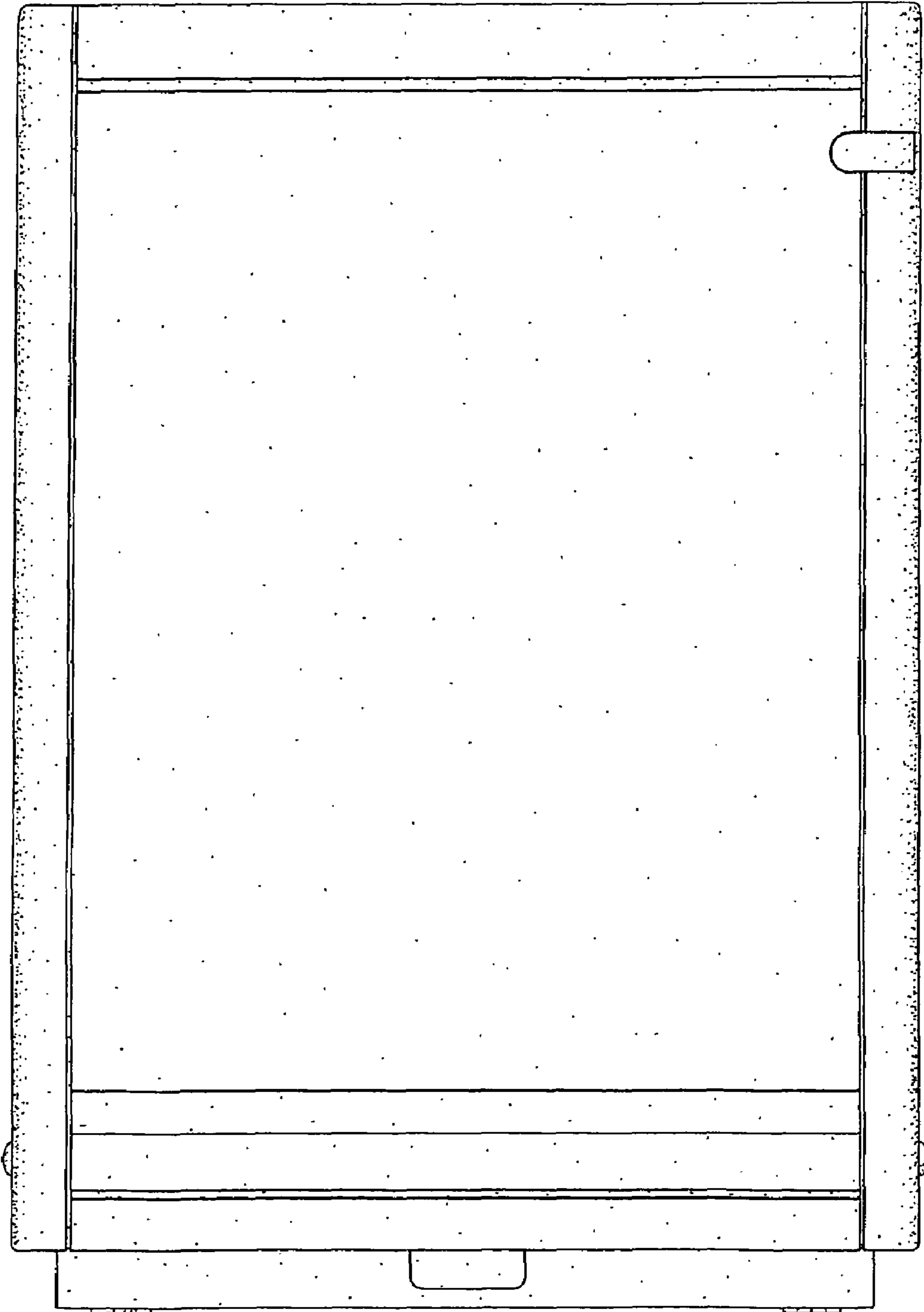


Fig. 2

8 ↗



8 ↘

Fig. 3

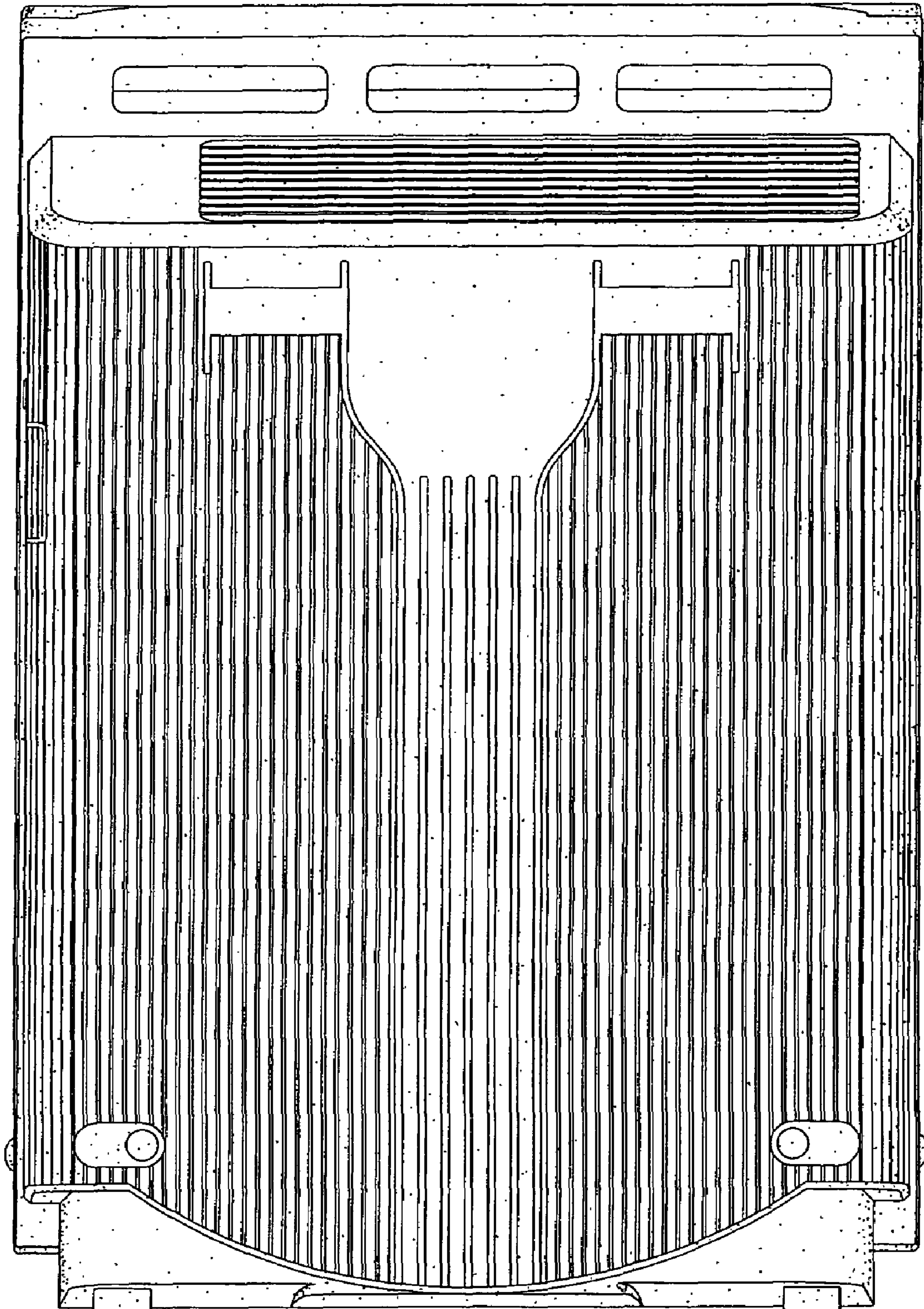


Fig. 4

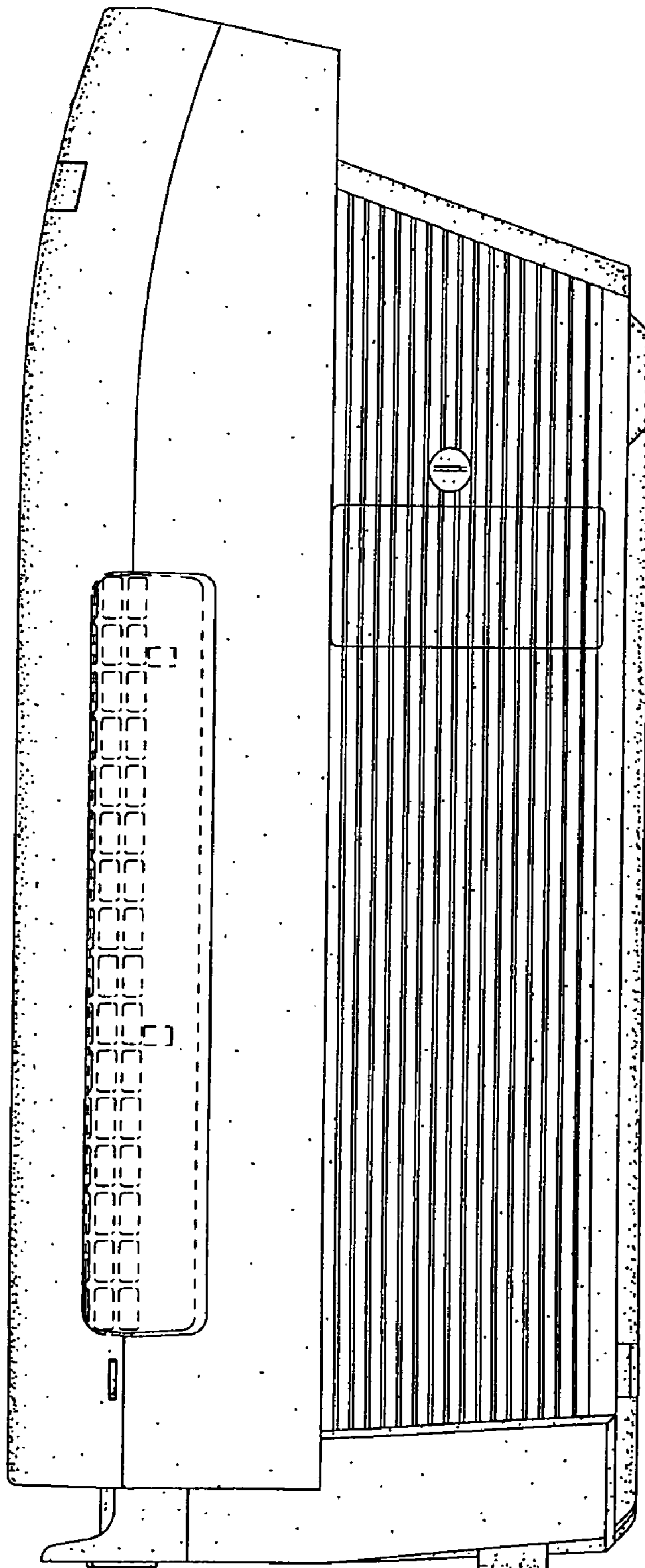


Fig. 5

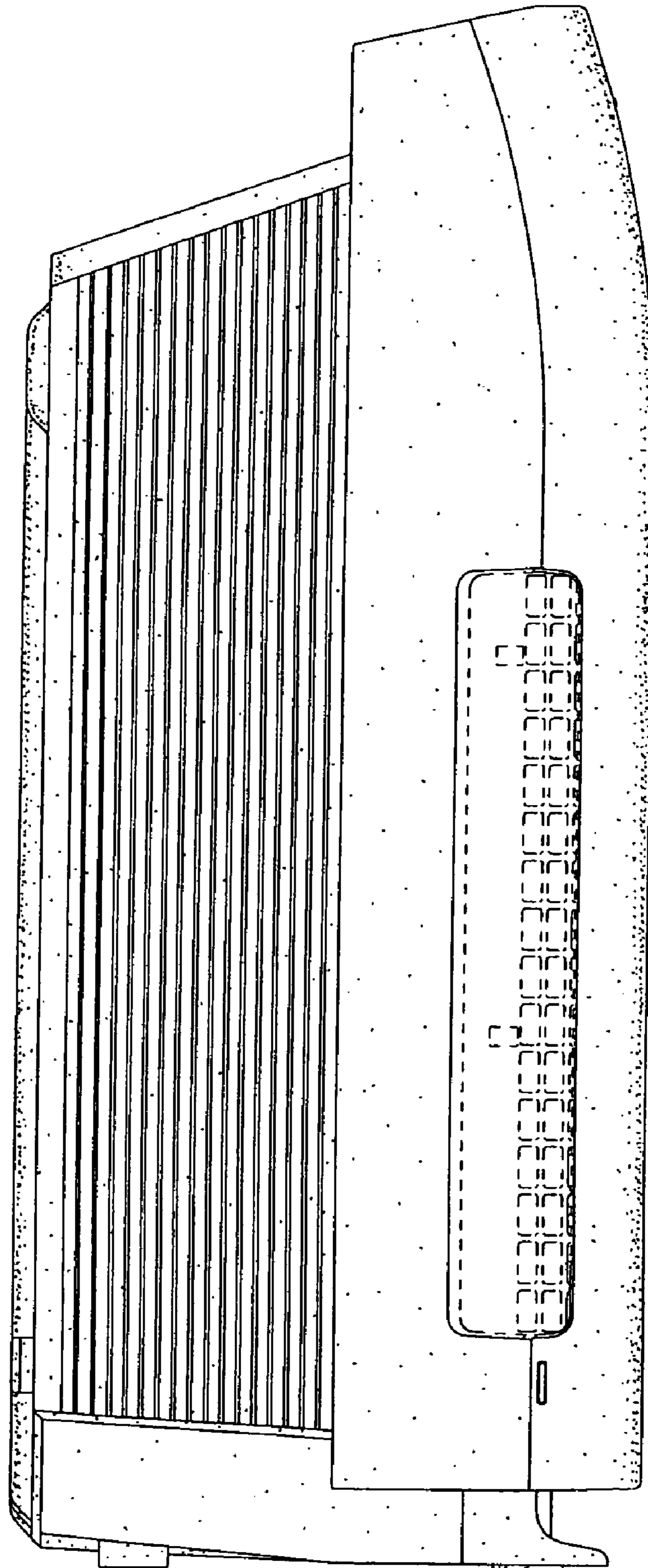


Fig. 6

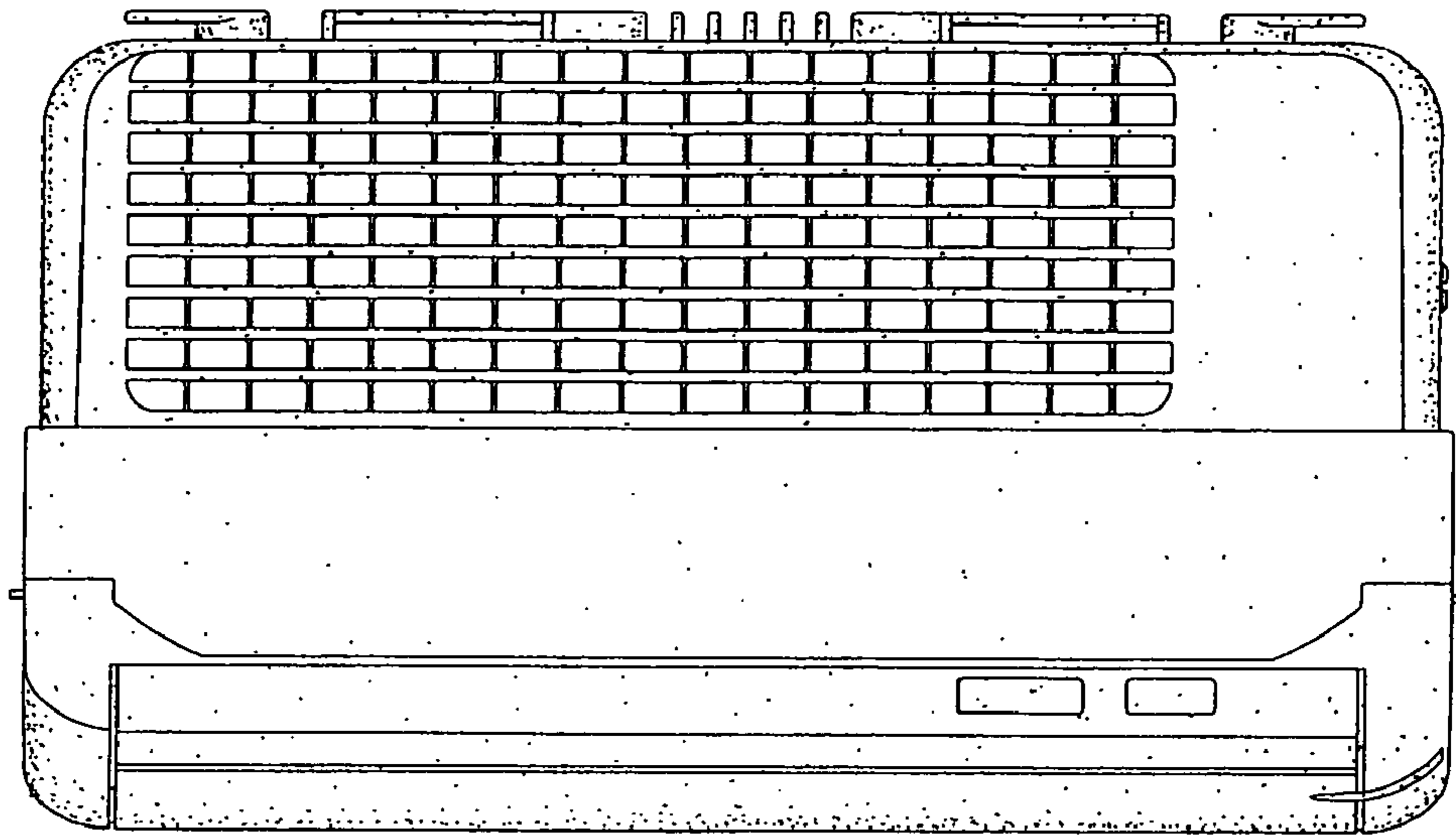


Fig. 7

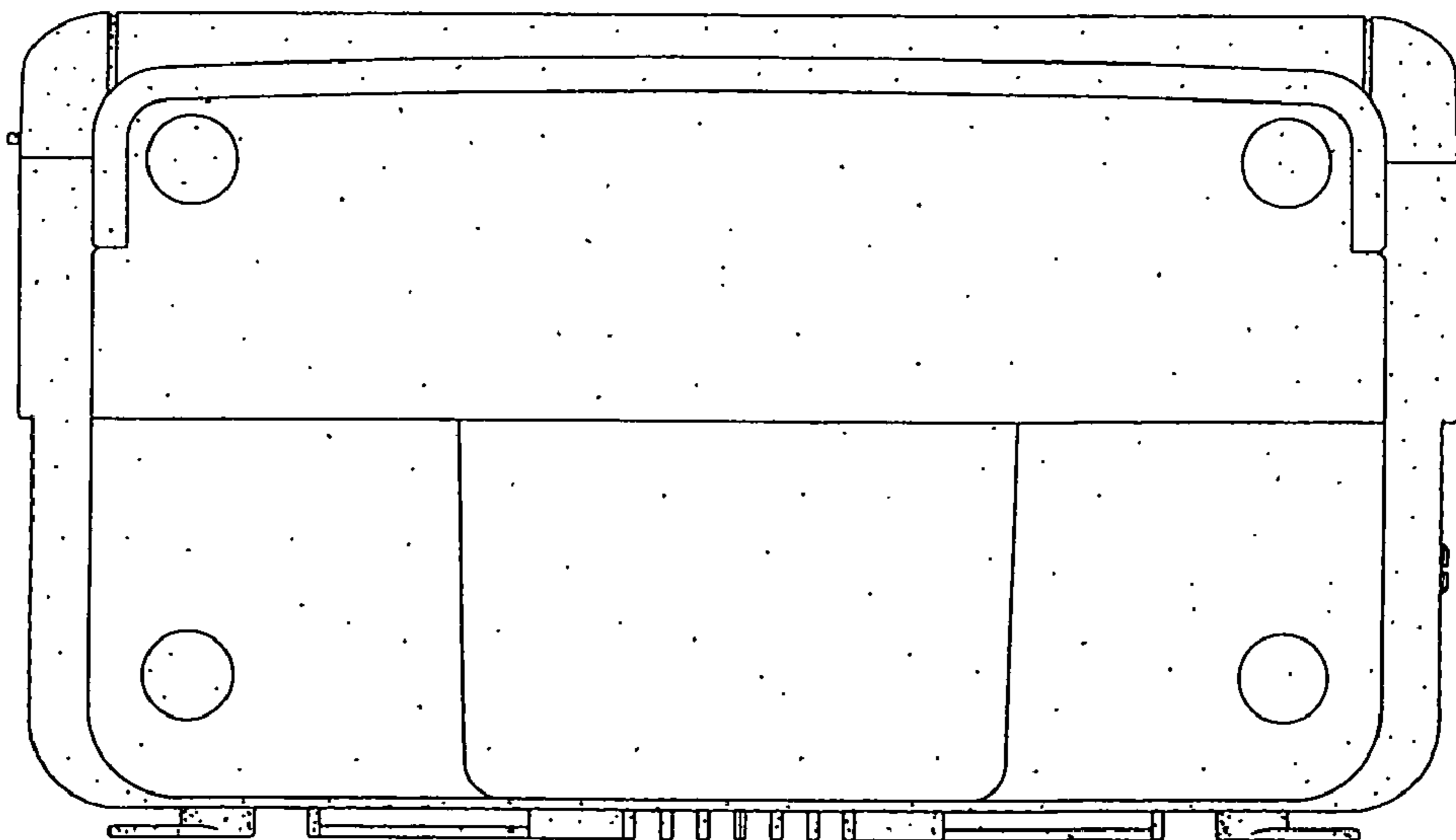


Fig. 8

