



US00D586446S

(12) **United States Design Patent**  
**Kakihana et al.**

(10) **Patent No.:** **US D586,446 S**

(45) **Date of Patent:** **\*\* Feb. 10, 2009**

(54) **LAVATORY**

(75) Inventors: **Hajime Kakihana**, Morrow, GA (US);  
**James Piatt**, Morrow, GA (US)

(73) Assignee: **Toto Ltd.**, Kitakyusyu (JP)

(\*\*) Term: **14 Years**

(21) Appl. No.: **29/274,475**

(22) Filed: **Apr. 27, 2007**

(51) **LOC (9) Cl.** ..... **23-02**

(52) **U.S. Cl.** ..... **D23/293.1**

(58) **Field of Classification Search** ..... D23/284,  
D23/287, 291-293.1, 303, 308; 4/630, 631,  
4/637, 638, 661

See application file for complete search history.

(56) **References Cited**

**U.S. PATENT DOCUMENTS**

D416,991 S \* 11/1999 Caplow ..... D23/284

\* cited by examiner

*Primary Examiner*—Robert A Delehanty

(74) *Attorney, Agent, or Firm*—Birch, Stewart, Kolasch & Birch, LLP

(57) **CLAIM**

The ornamental design for a lavatory, as shown and described.

**DESCRIPTION**

FIG. 1 is a perspective view of the top, front and right side of a lavatory showing our new design;

FIG. 2 is a top plan view thereof;

FIG. 3 is a front view thereof;

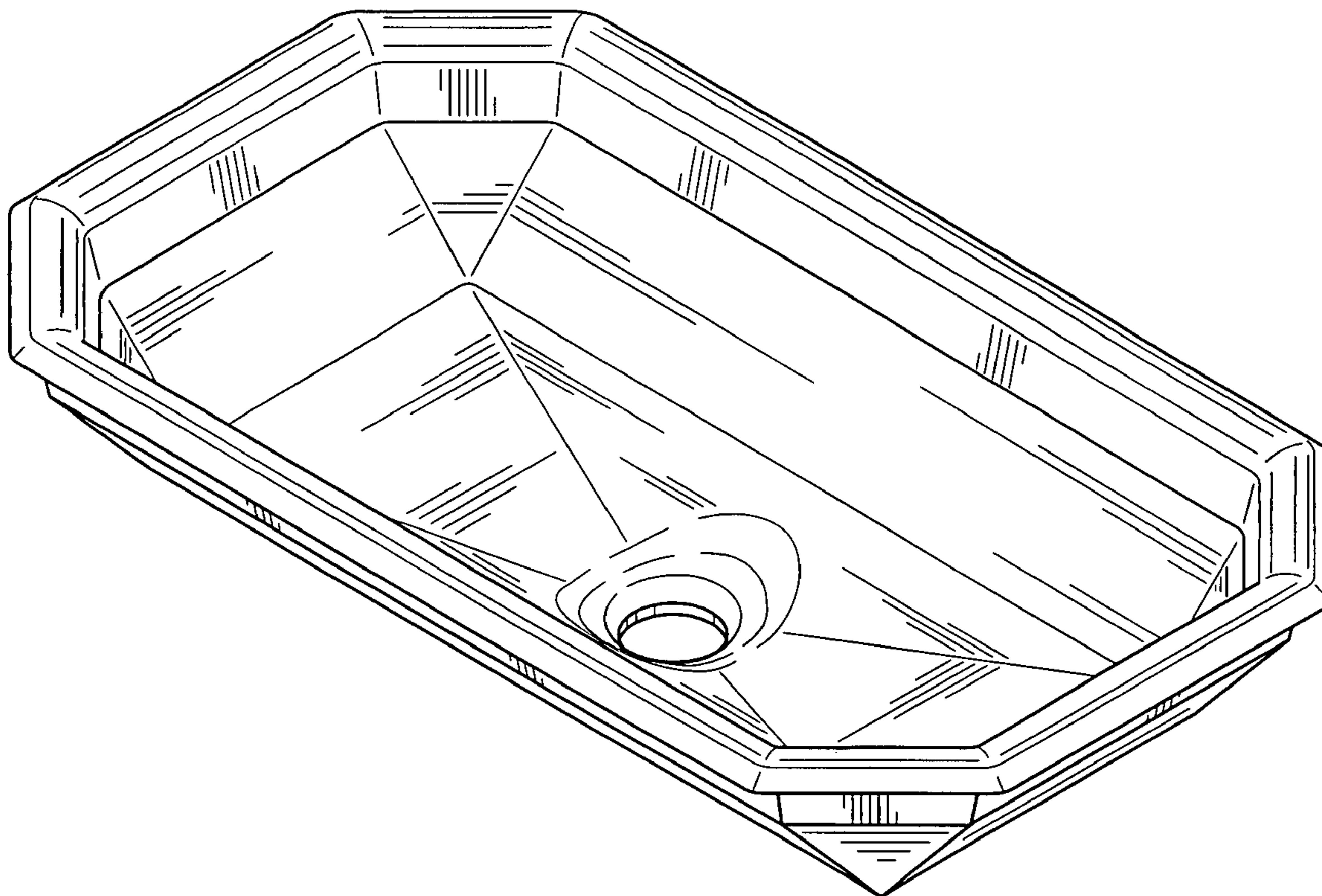
FIG. 4 is a left side view thereof;

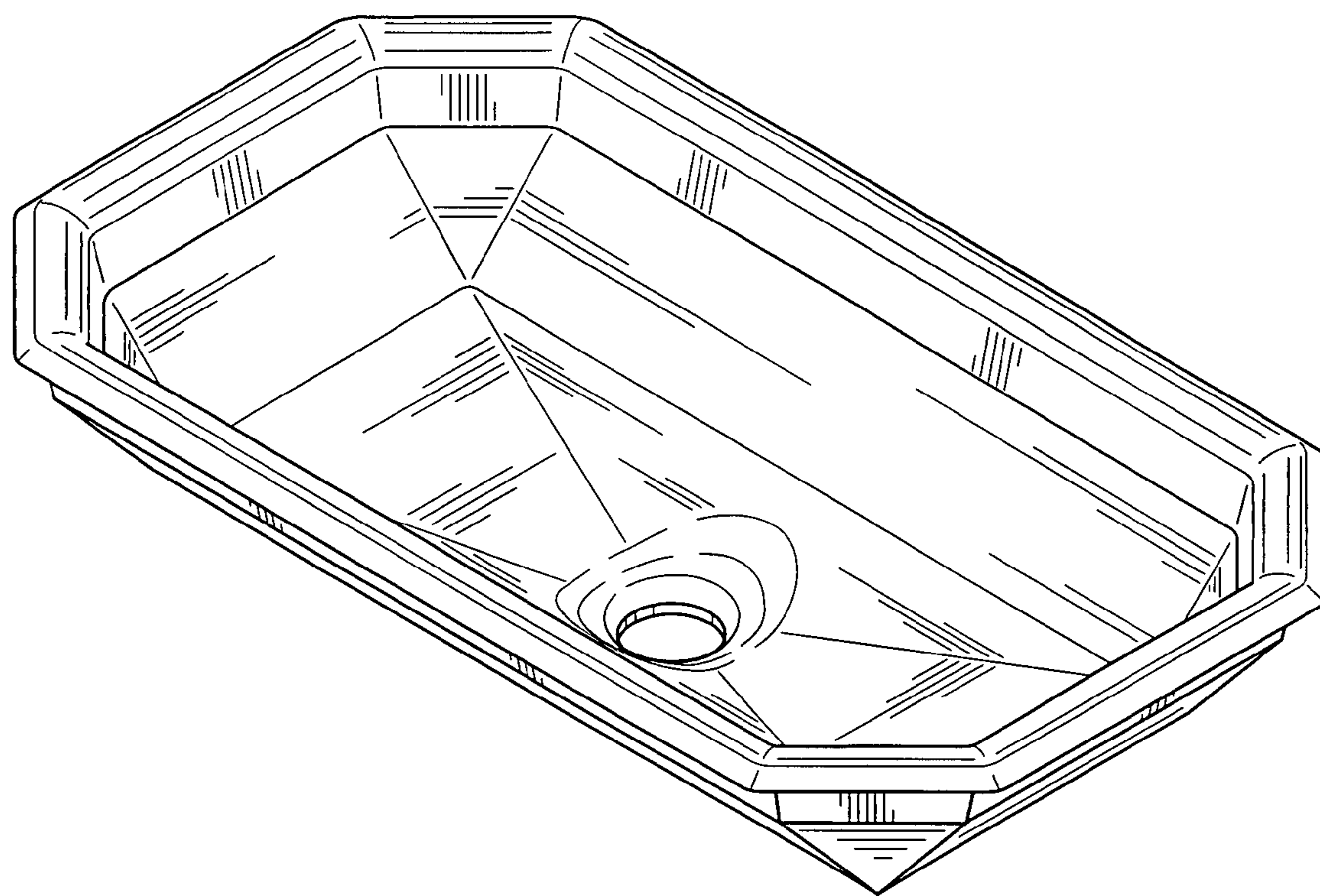
FIG. 5 is a right side view thereof;

FIG. 6 is a rear view thereof; and,

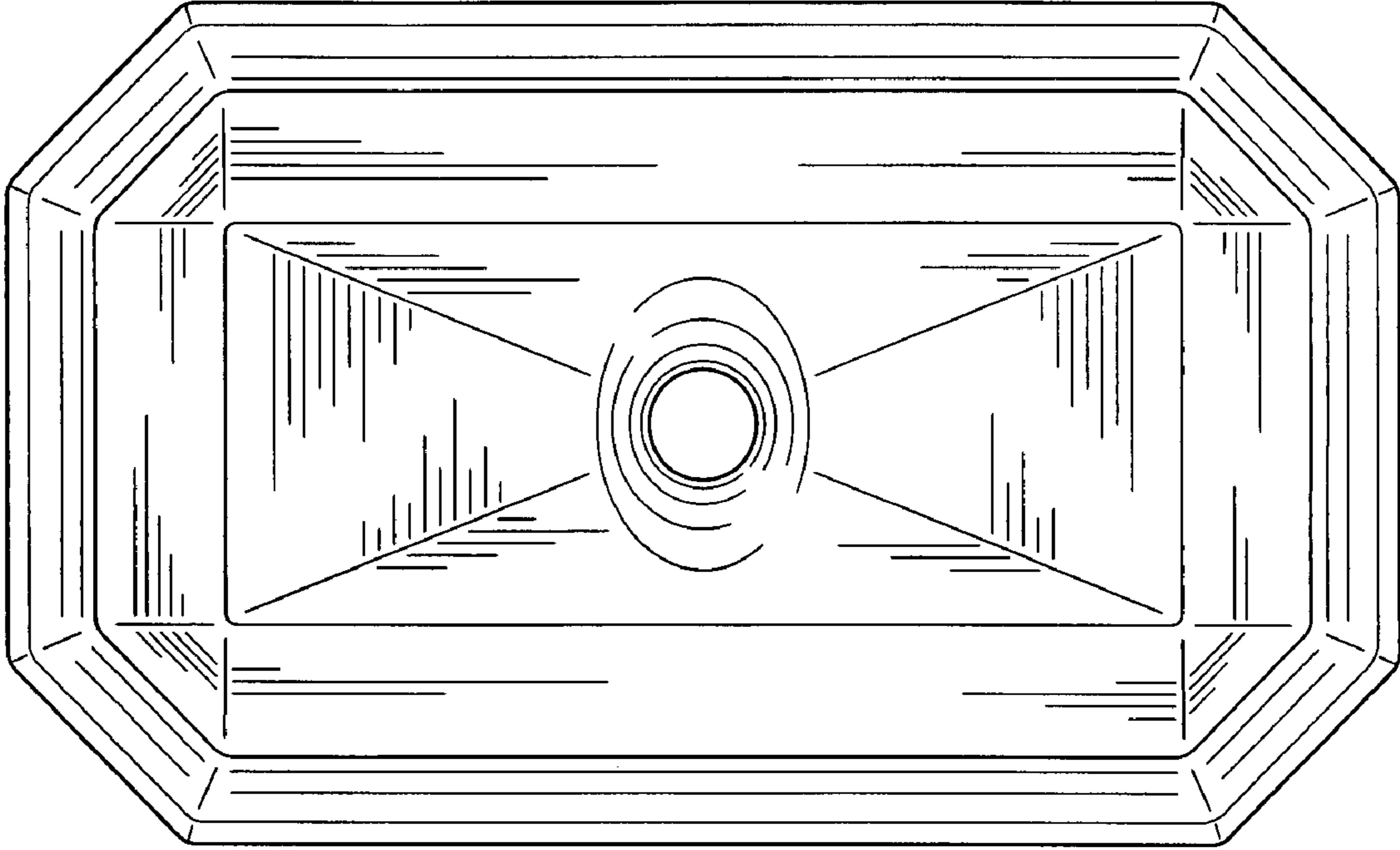
FIG. 7 is a bottom view thereof.

**1 Claim, 4 Drawing Sheets**

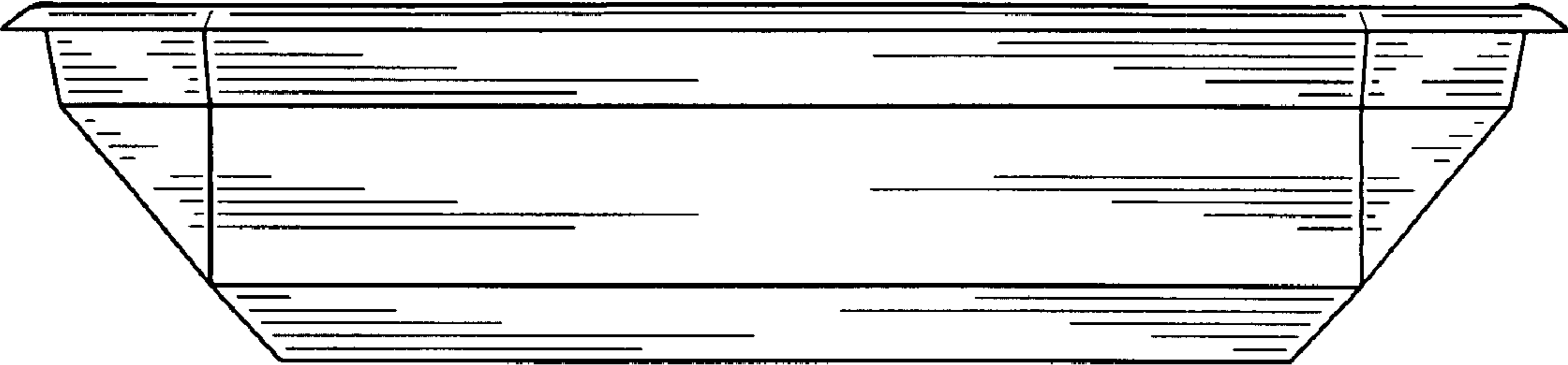




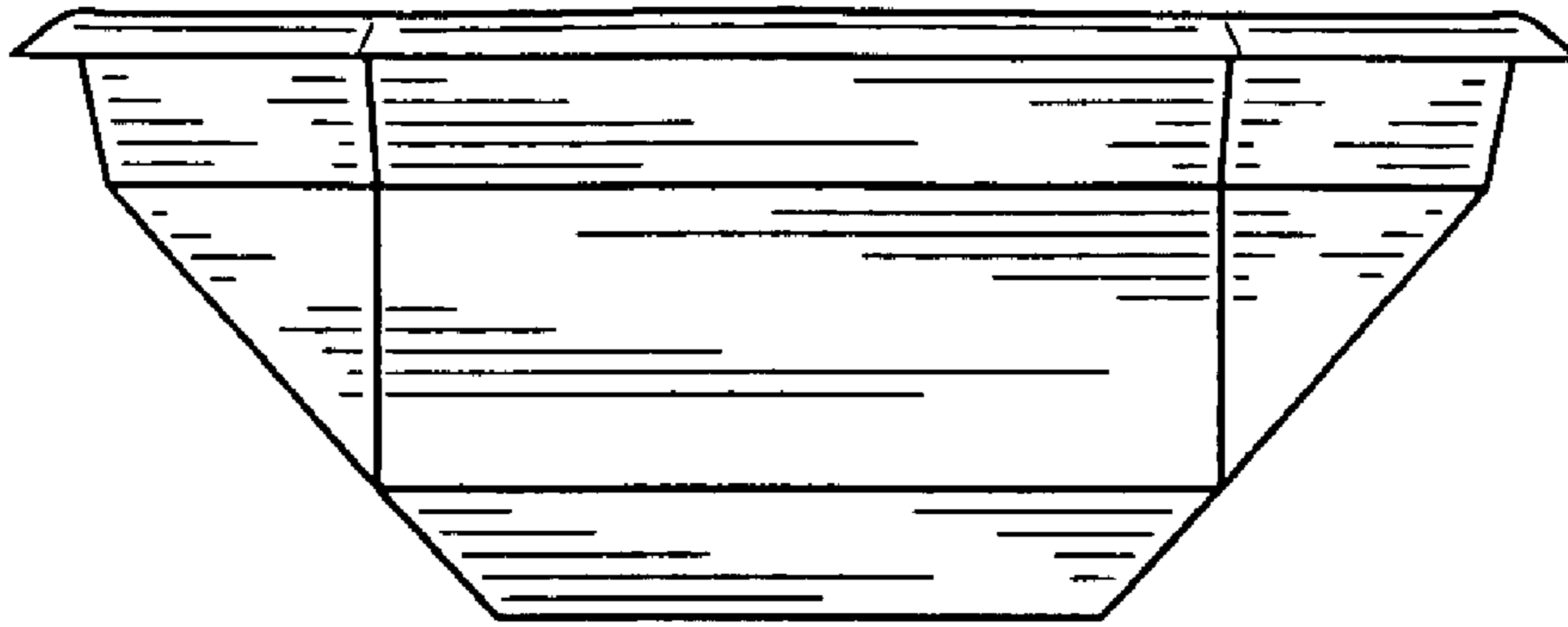
*FIG. 1*



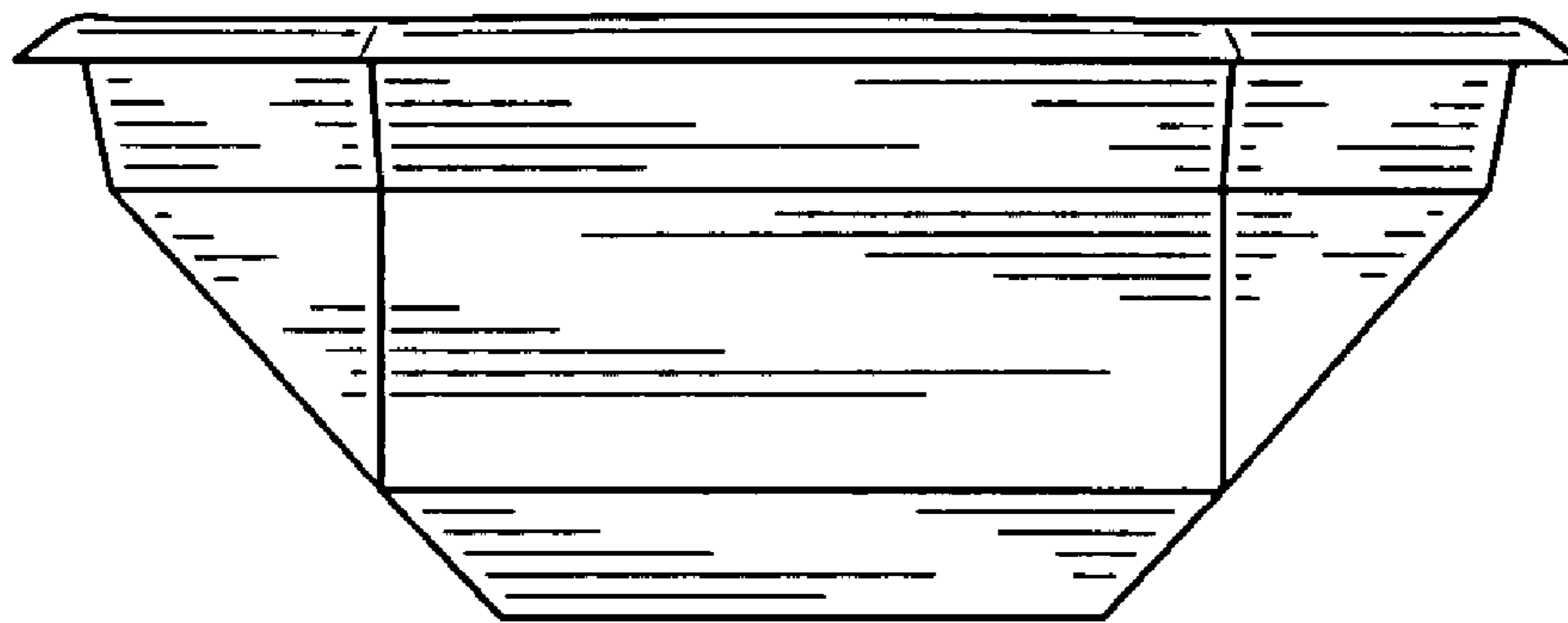
*FIG. 2*



*FIG. 3*



*FIG. 4*



*FIG. 5*

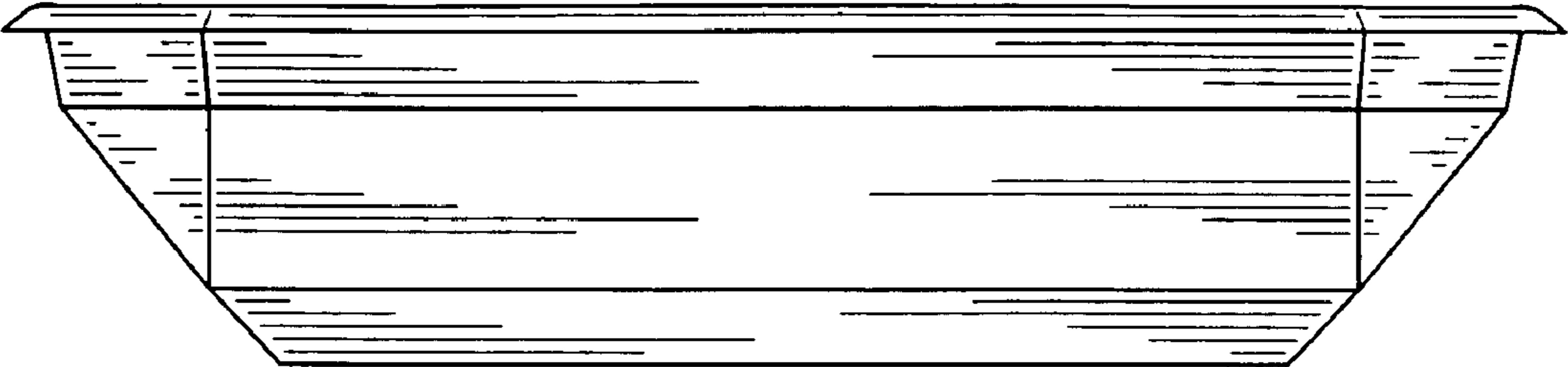


FIG. 6

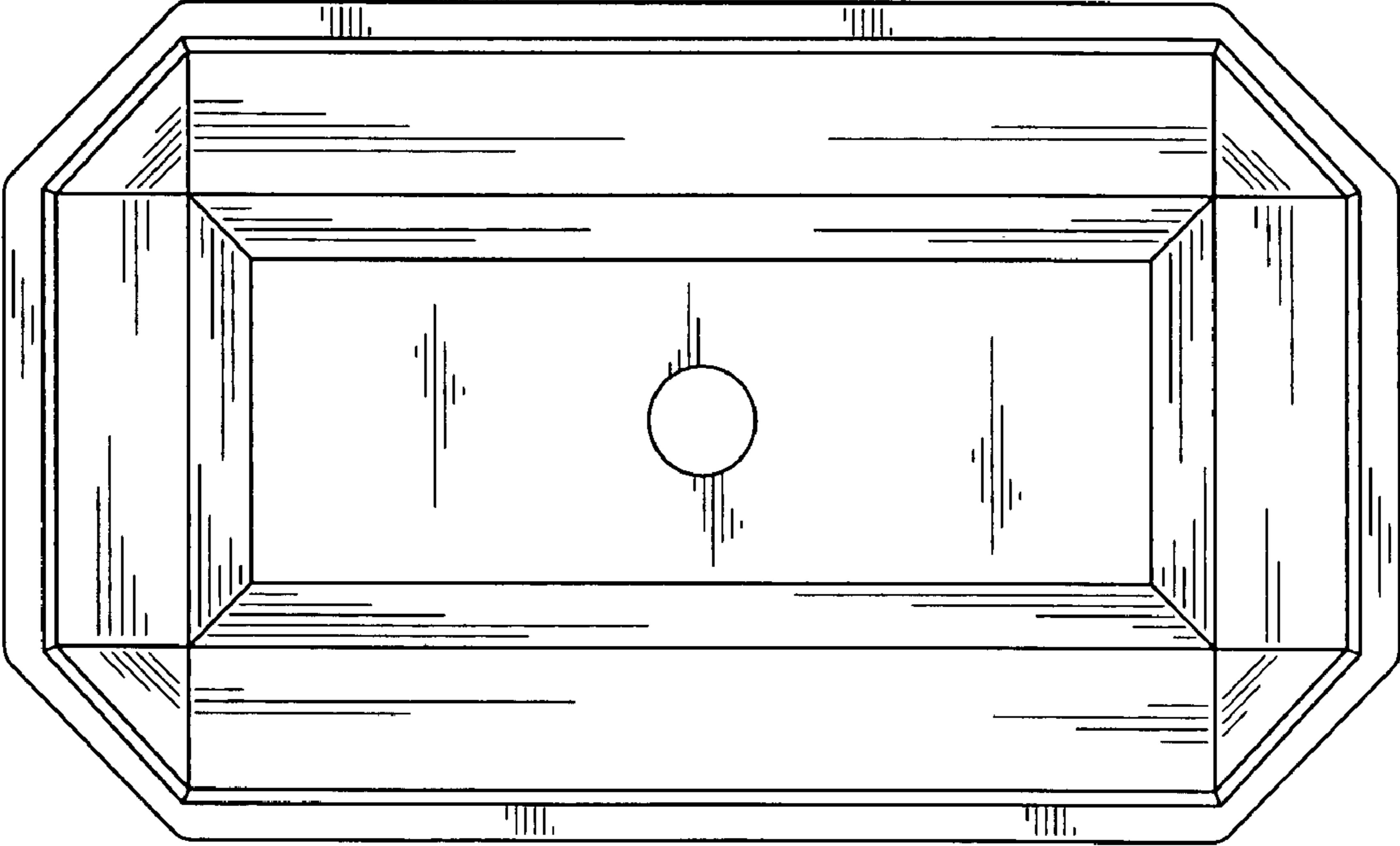


FIG. 7