



US00D586445S

(12) **United States Design Patent**  
**Ziemann et al.**

(10) **Patent No.:** **US D586,445 S**

(45) **Date of Patent:** **\*\* Feb. 10, 2009**

(54) **SINK**

D548,311 S \* 8/2007 Mahon ..... D23/290

(75) Inventors: **Brigitte Ziemann**, Eppingen (DE);  
**Reinhard Koska**, Karlsruhe (DE)

\* cited by examiner

(73) Assignee: **BLANCO GmbH + Co KG**,  
Oberderdingen (DE)

*Primary Examiner*—Robert A Delehanty  
(74) *Attorney, Agent, or Firm*—Hanley, Flight &  
Zimmerman, LLC.

(\*\*) Term: **14 Years**

(57) **CLAIM**

(21) Appl. No.: **29/304,976**

The ornamental design for a “sink,” as shown and described.

(22) Filed: **Mar. 11, 2008**

**DESCRIPTION**

(51) **LOC (9) Cl.** ..... **23-02**

(52) **U.S. Cl.** ..... **D23/290**

(58) **Field of Classification Search** ..... D23/271–274,  
D23/284, 287, 291–293.1, 303, 308, 290;  
4/630, 631, 637, 638, 661, 639–642, 619,  
4/663–664

FIG. 1 is a perspective view of the sink;

FIG. 2 is a top plan view of the sink;

FIG. 3 is a bottom view of the sink;

FIG. 4 is a front view of the sink;

FIG. 5 is a rear view of the sink;

FIG. 6 is a right side view of the sink; and,

FIG. 7 is a left side view of the sink.

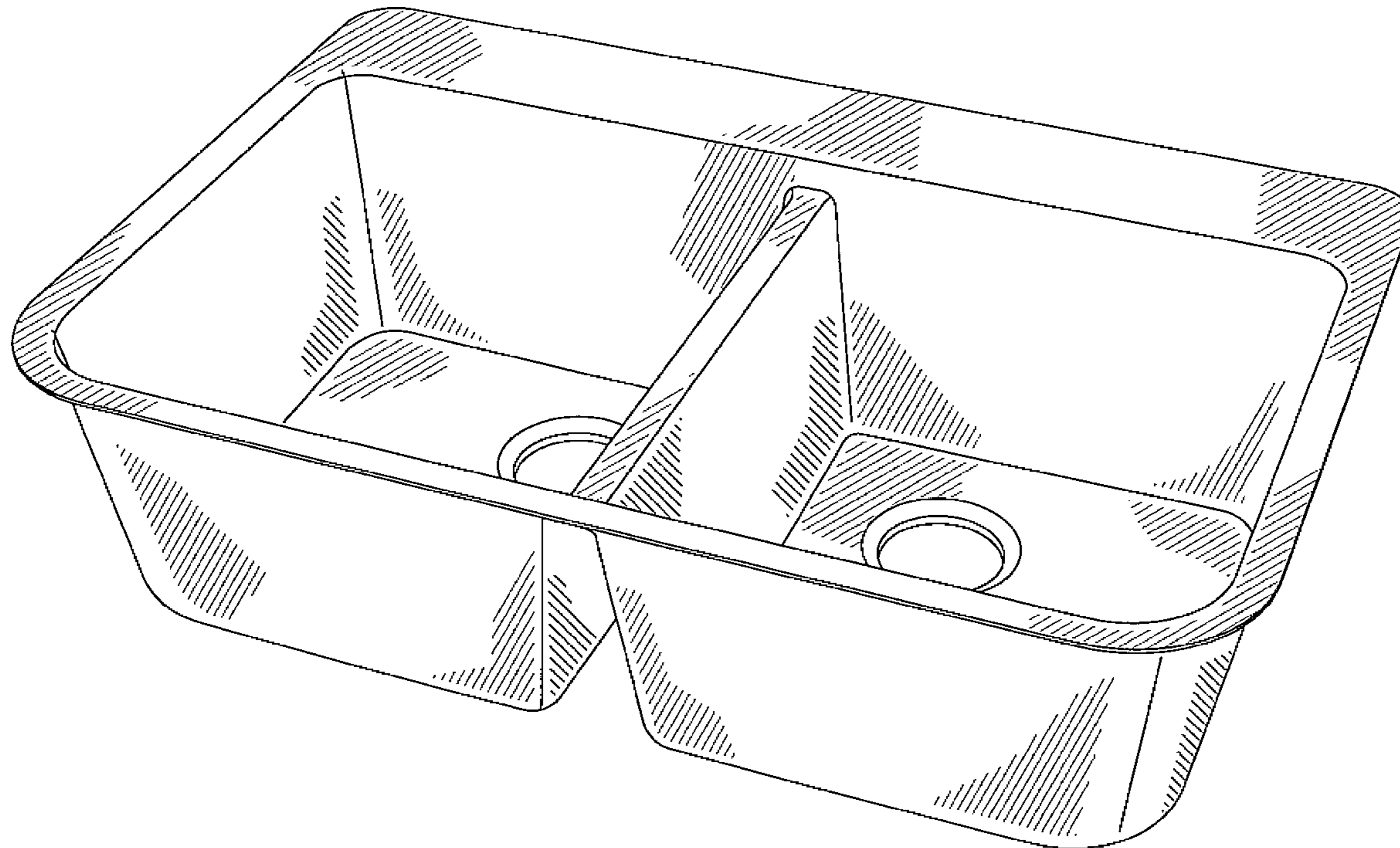
See application file for complete search history.

(56) **References Cited**

**U.S. PATENT DOCUMENTS**

D547,838 S \* 7/2007 Plikuhn ..... D23/290

**1 Claim, 7 Drawing Sheets**



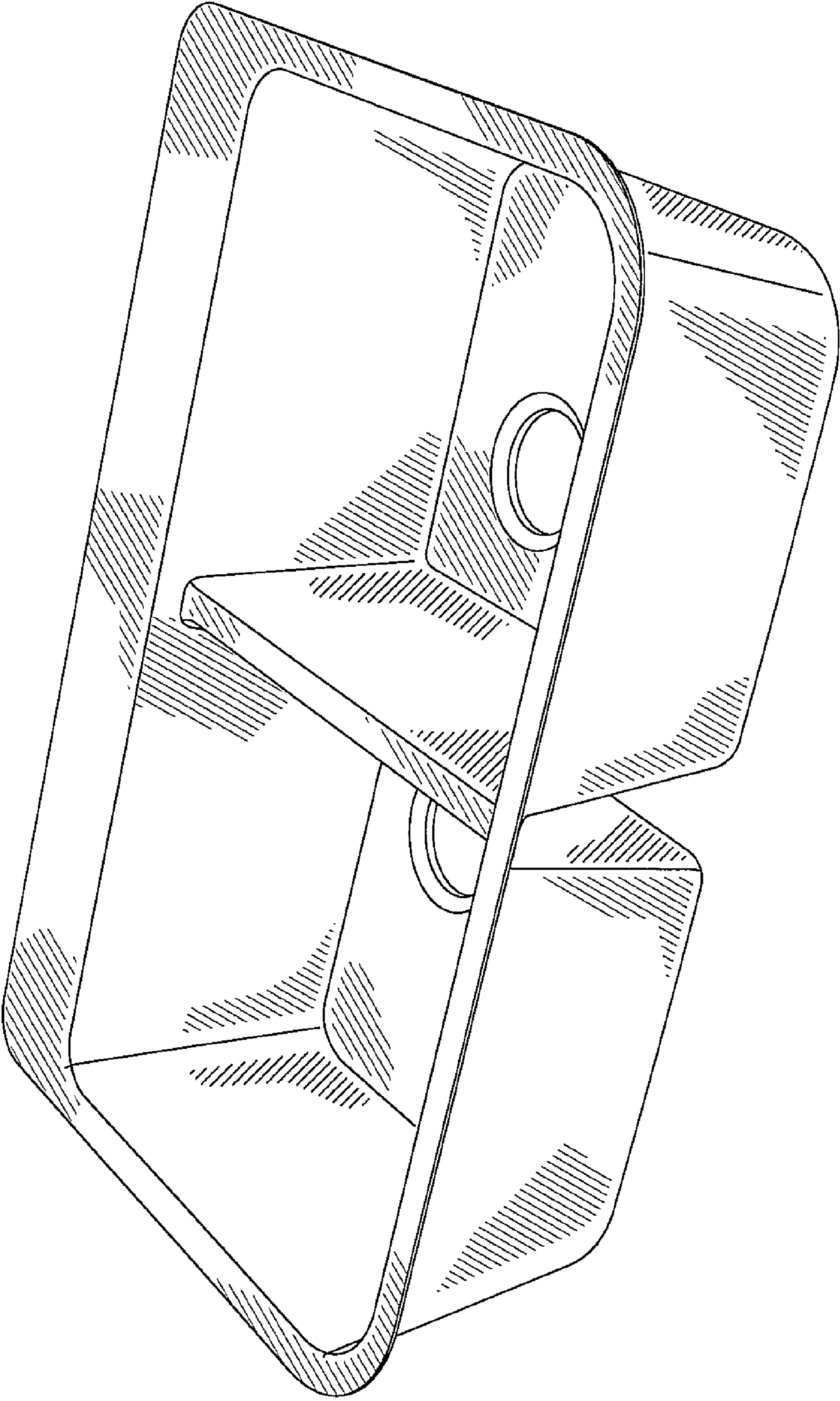


FIG. 1

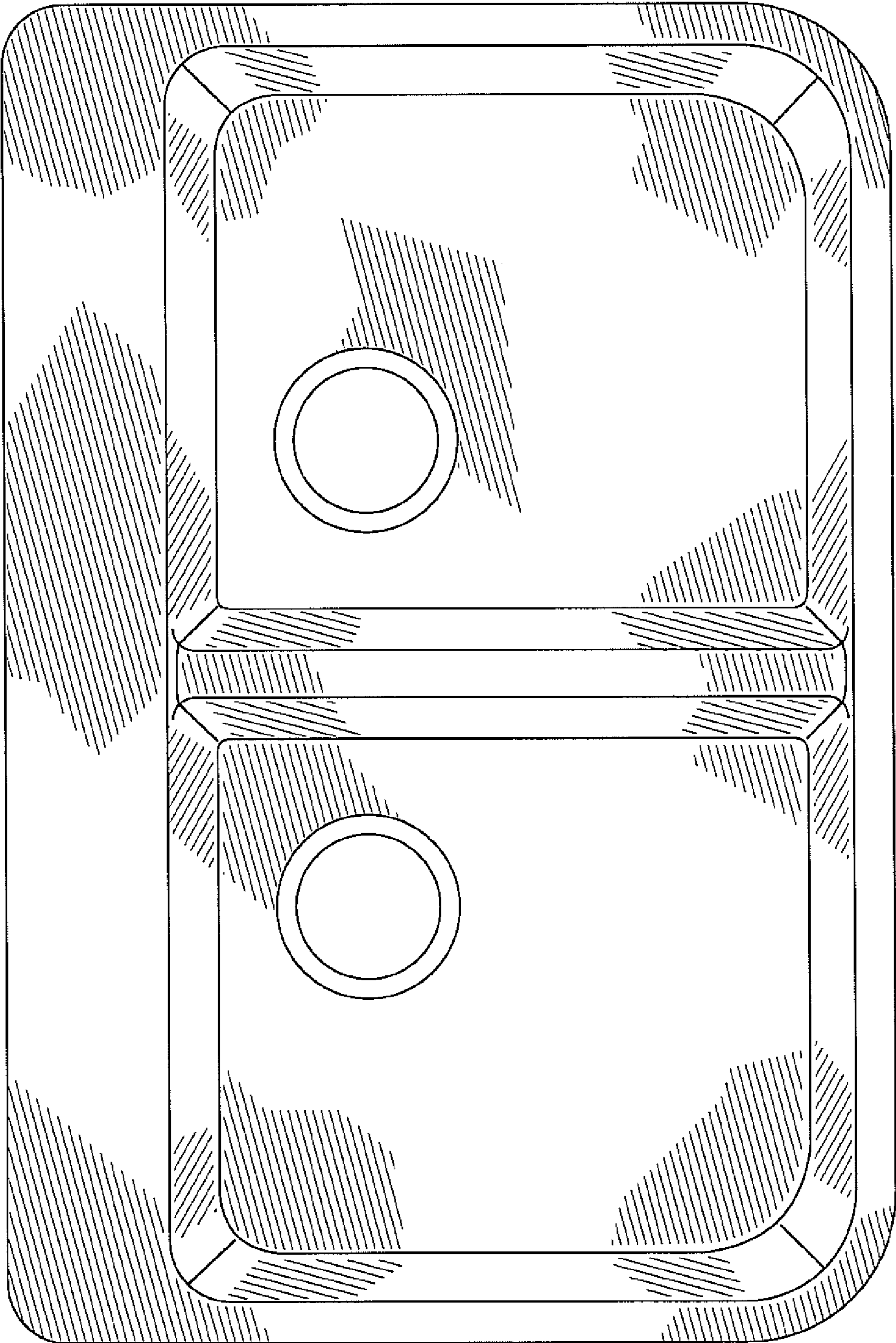


FIG. 2



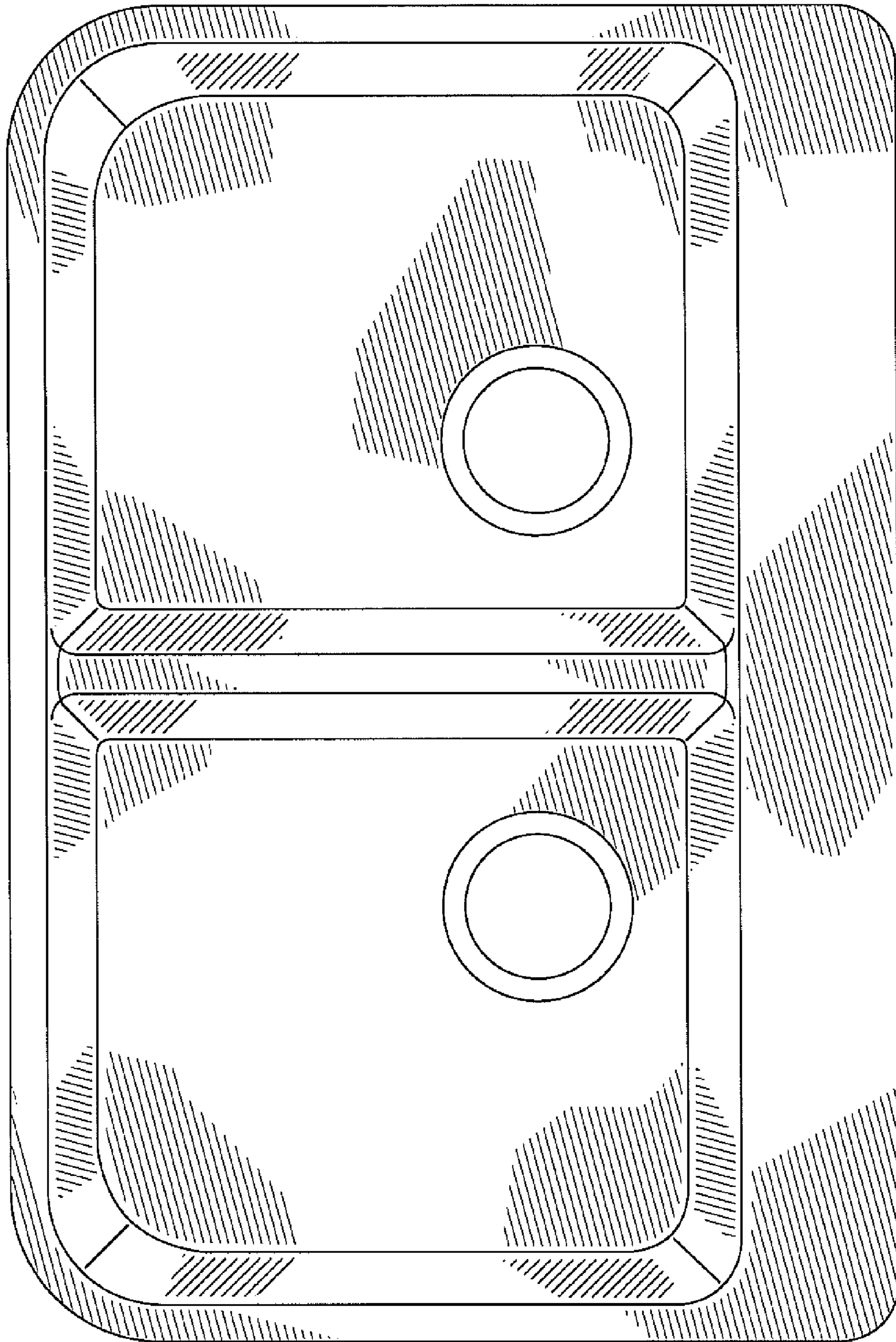


FIG. 3

FIG. 4

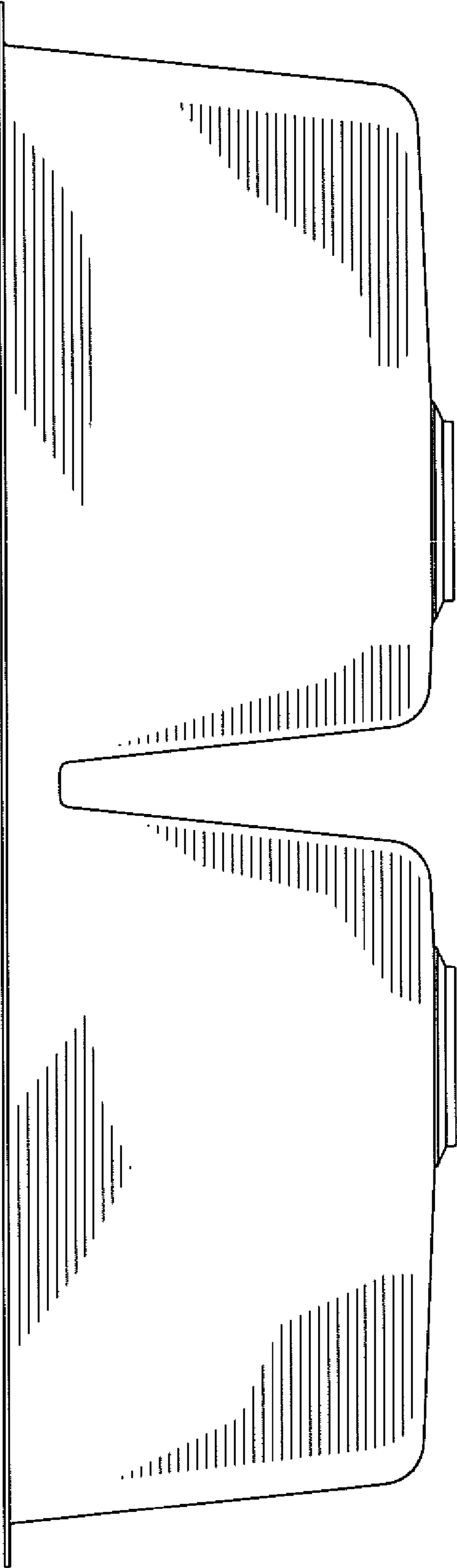


FIG. 5

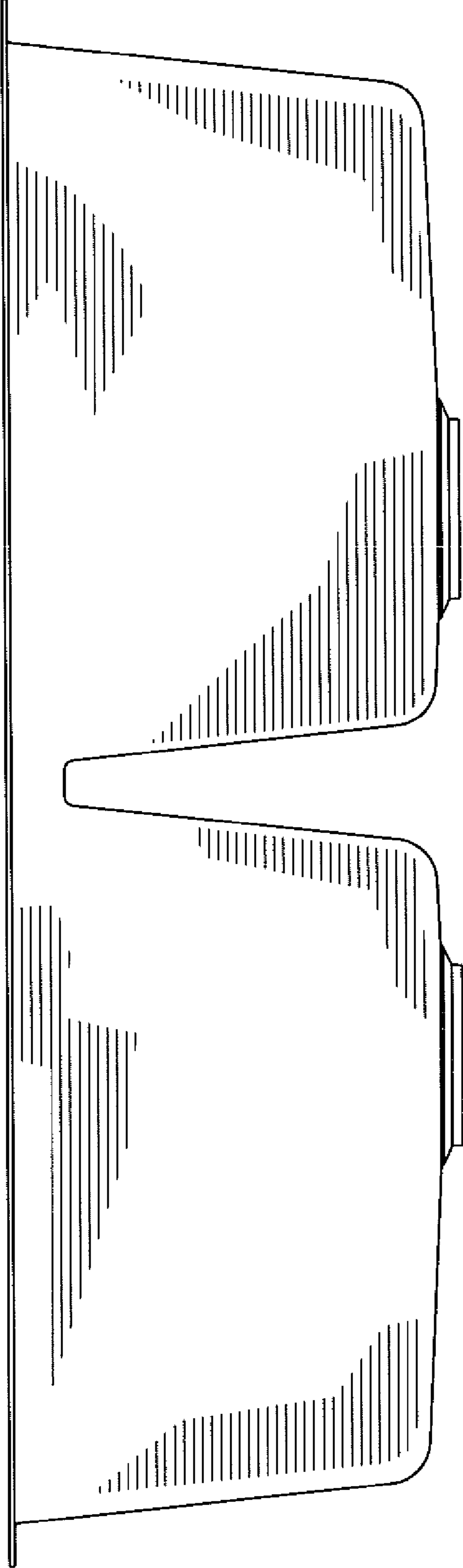


FIG. 6

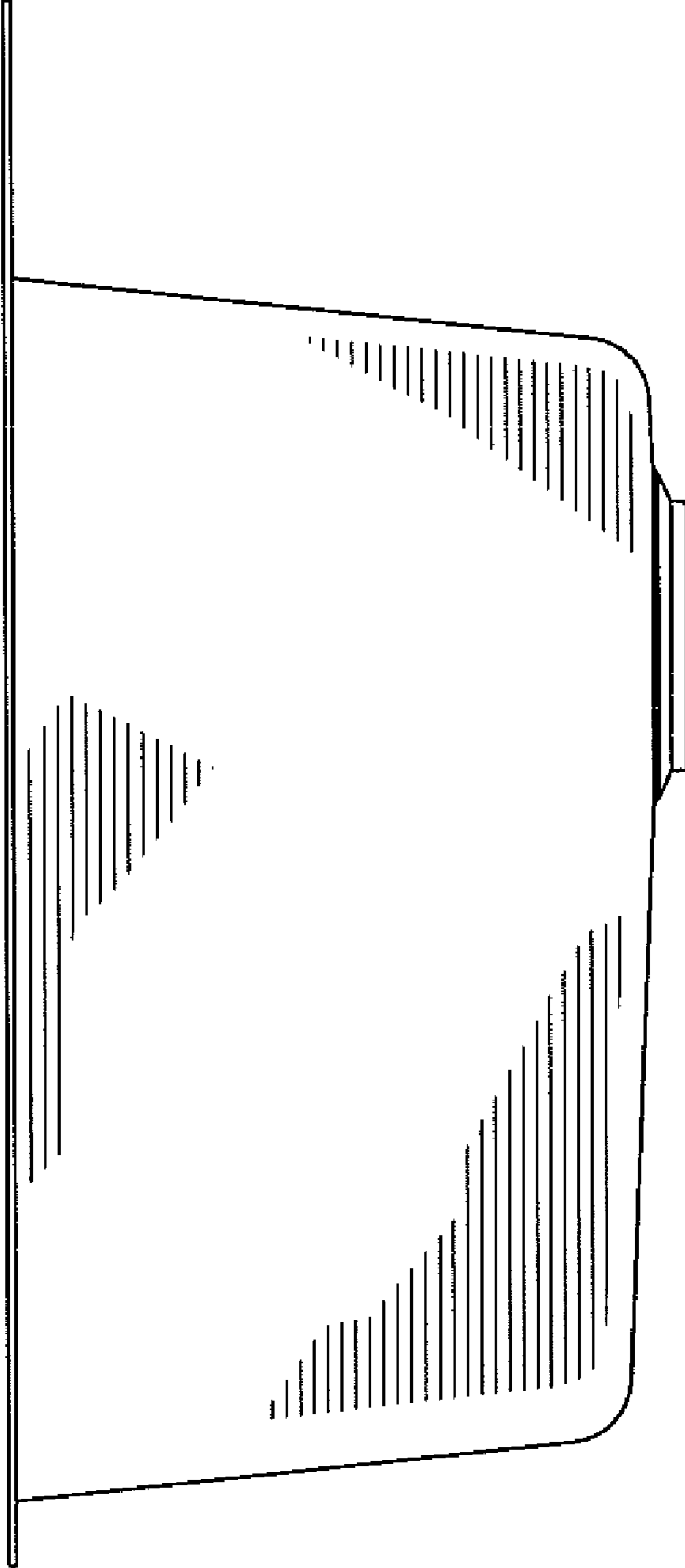


FIG. 7

