



US00D586443S

(12) **United States Design Patent**
Ziemann et al.

(10) **Patent No.:** **US D586,443 S**

(45) **Date of Patent:** **** Feb. 10, 2009**

(54) **SINK**

(75) Inventors: **Brigitte Ziemann**, Eppingen (DE);
Reinhard Koska, Karlsruhe (DE)

(73) Assignee: **BLANCO GmbH + Co KG**,
Oberderdingen (DE)

(**) Term: **14 Years**

(21) Appl. No.: **29/304,971**

(22) Filed: **Mar. 11, 2008**

(51) **LOC (9) Cl.** **23-02**

(52) **U.S. Cl.** **D23/290**

(58) **Field of Classification Search** D23/271-274,
D23/284, 287, 291-293.1, 303, 308, 290;
4/630, 631, 637, 638, 661, 639-642, 619,
4/663-664

See application file for complete search history.

(56) **References Cited**

U.S. PATENT DOCUMENTS

D551,743 S * 9/2007 Ziemann D23/290

OTHER PUBLICATIONS

Astracast, Galaxy Composite 2.0 Bowl Sink AS GX20, brochure
abstract, Jul. 2007, 2 pages.

IAPMO Research and Testing, Inc, Testing Certificate issued to
Astracast for Sink AS GX20, Jul. 2007, 3 pages.

* cited by examiner

Primary Examiner—Robert A Delehanty

(74) *Attorney, Agent, or Firm*—Hanley, Flight &
Zimmerman, LLC.

(57) **CLAIM**

The ornamental design for a “sink,” as shown and described.

DESCRIPTION

FIG. 1 is a perspective view of the sink;

FIG. 2 is a top plan view of the sink;

FIG. 3 is a bottom view of the sink;

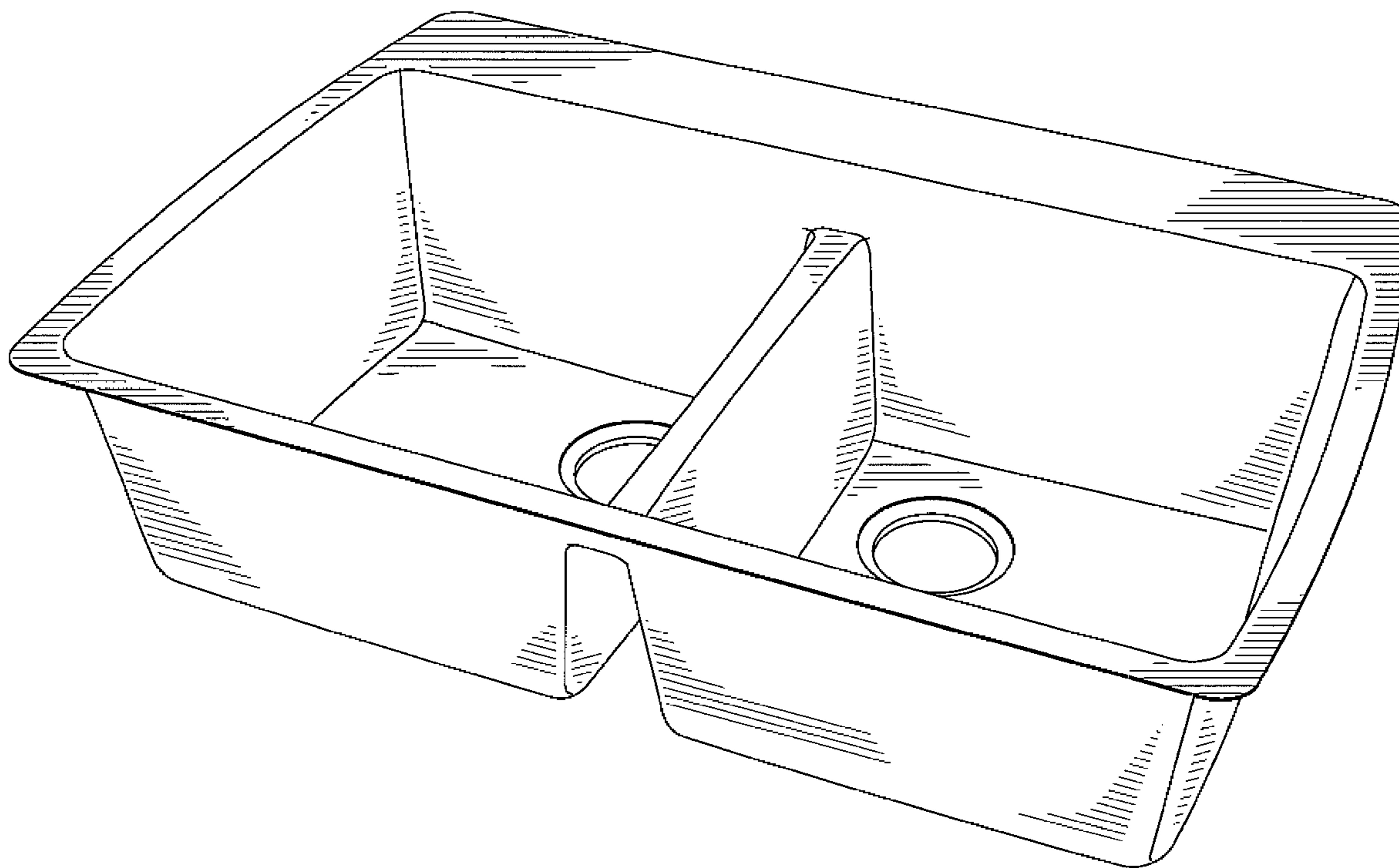
FIG. 4 is a front view of the sink;

FIG. 5 is a rear view of the sink;

FIG. 6 is a right side view of the sink; and,

FIG. 7 is a left side view of the sink.

1 Claim, 7 Drawing Sheets



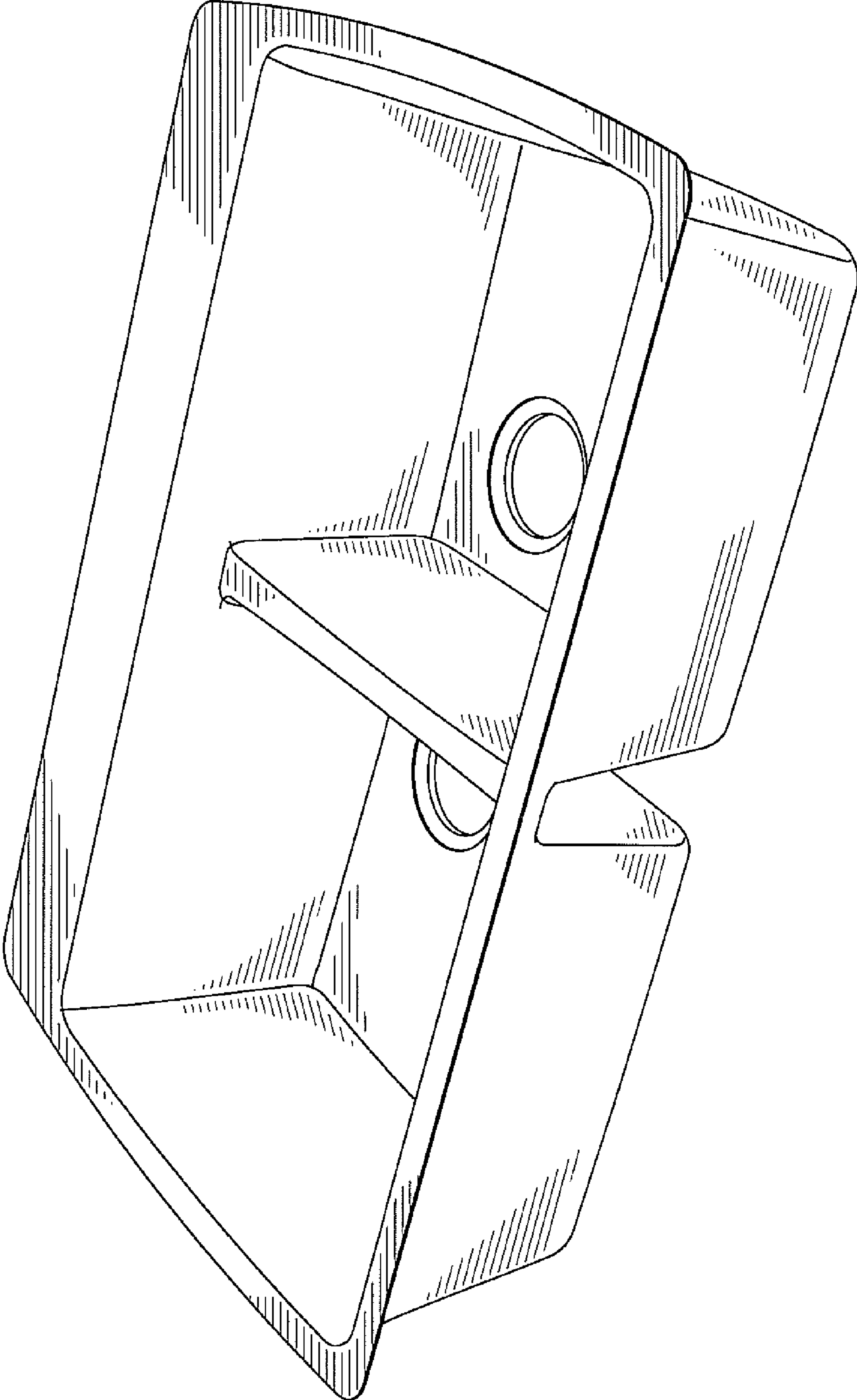


FIG. 1

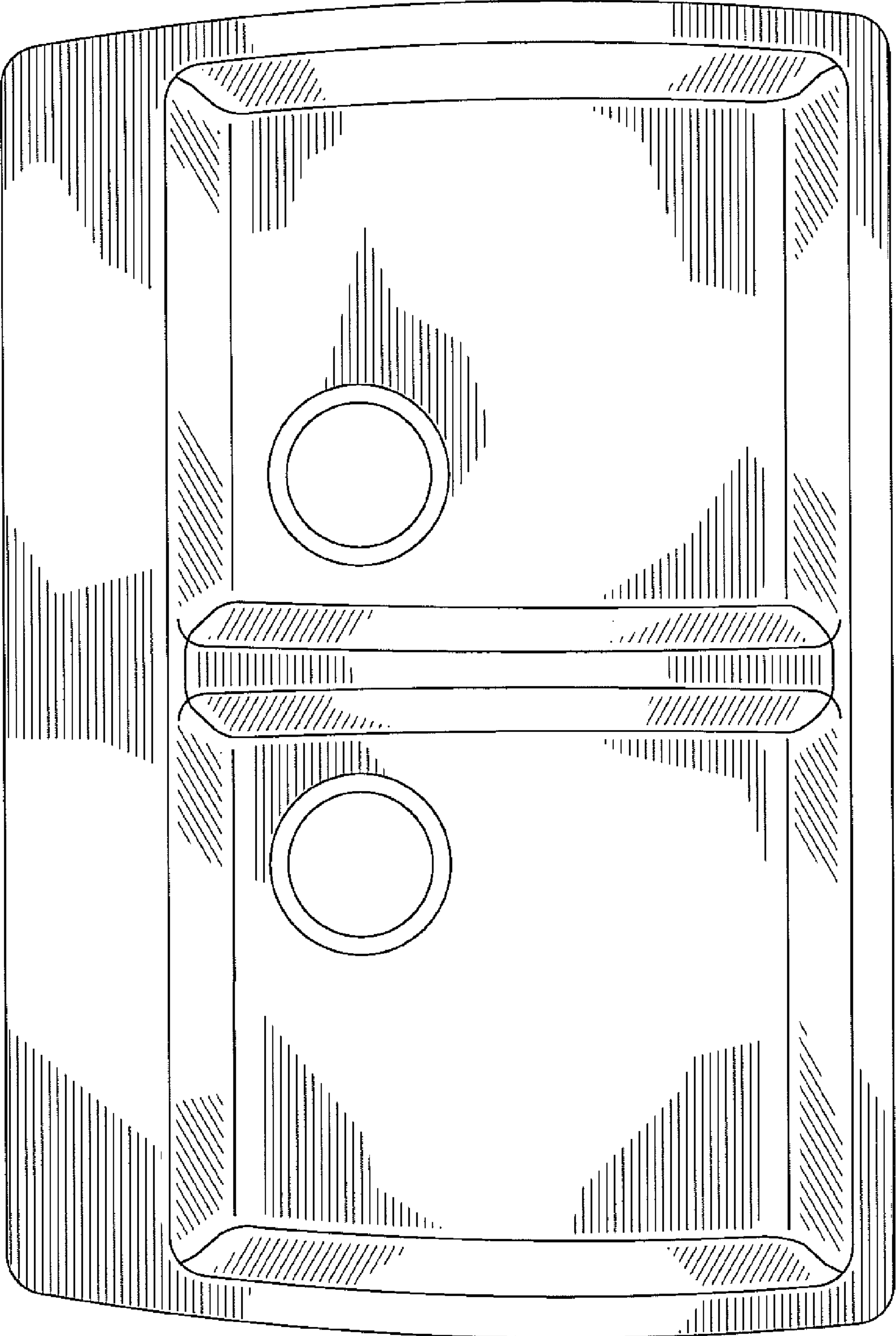


FIG. 2

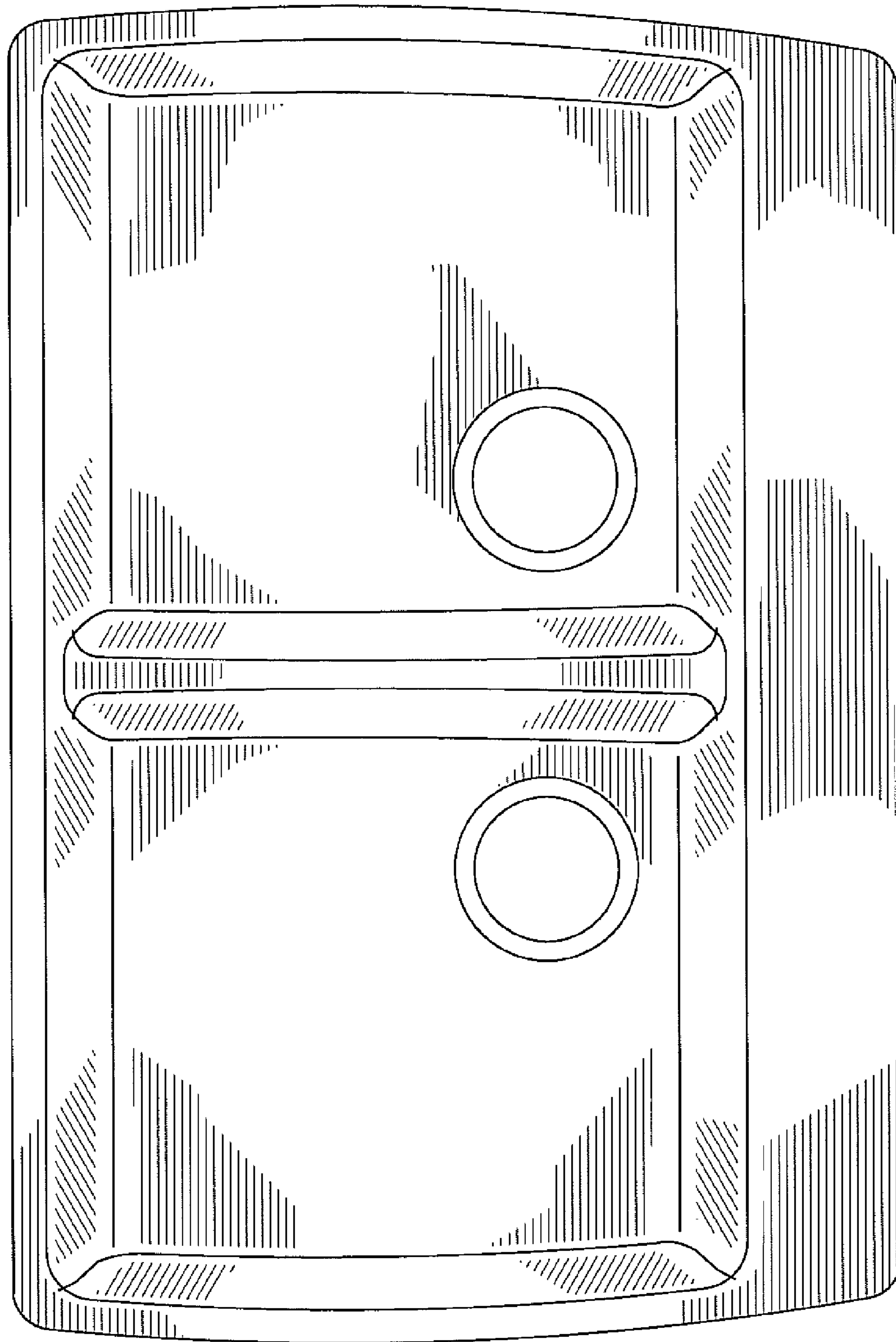


FIG. 3

FIG. 4

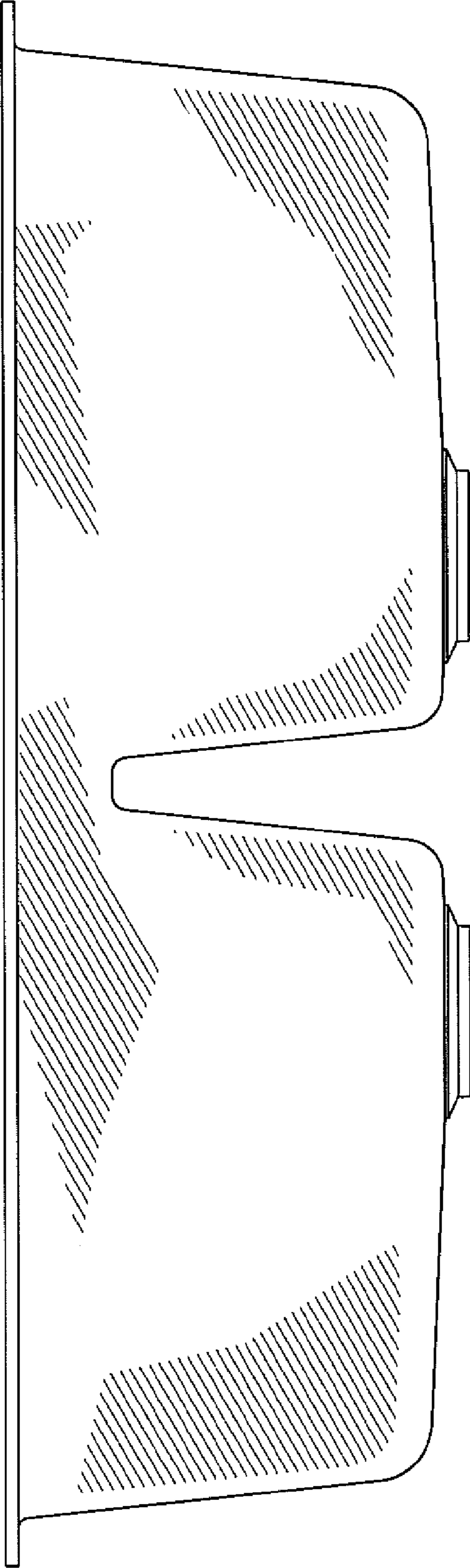
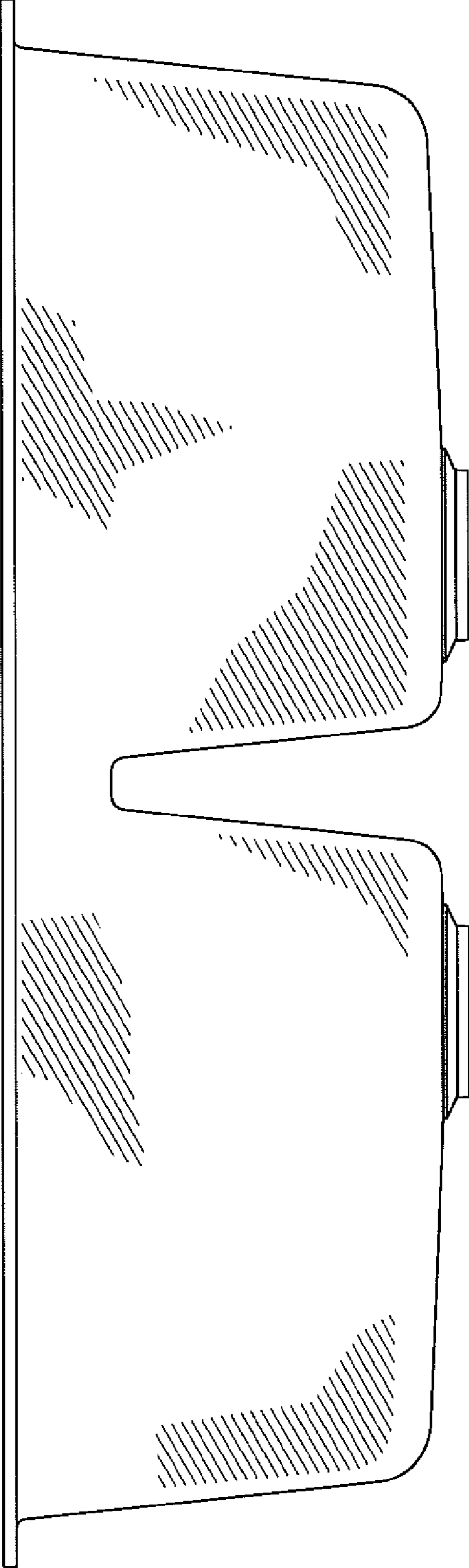


FIG. 5



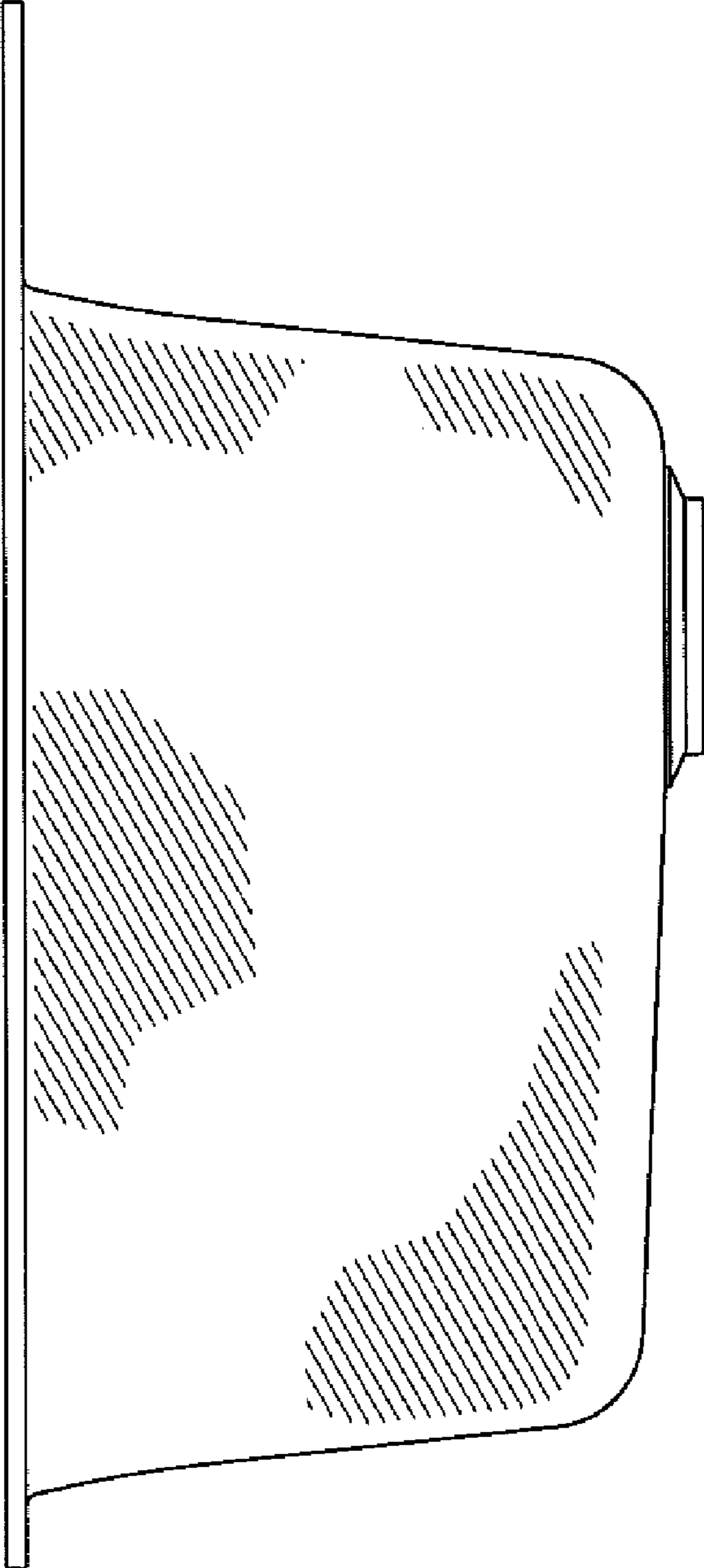


FIG. 6

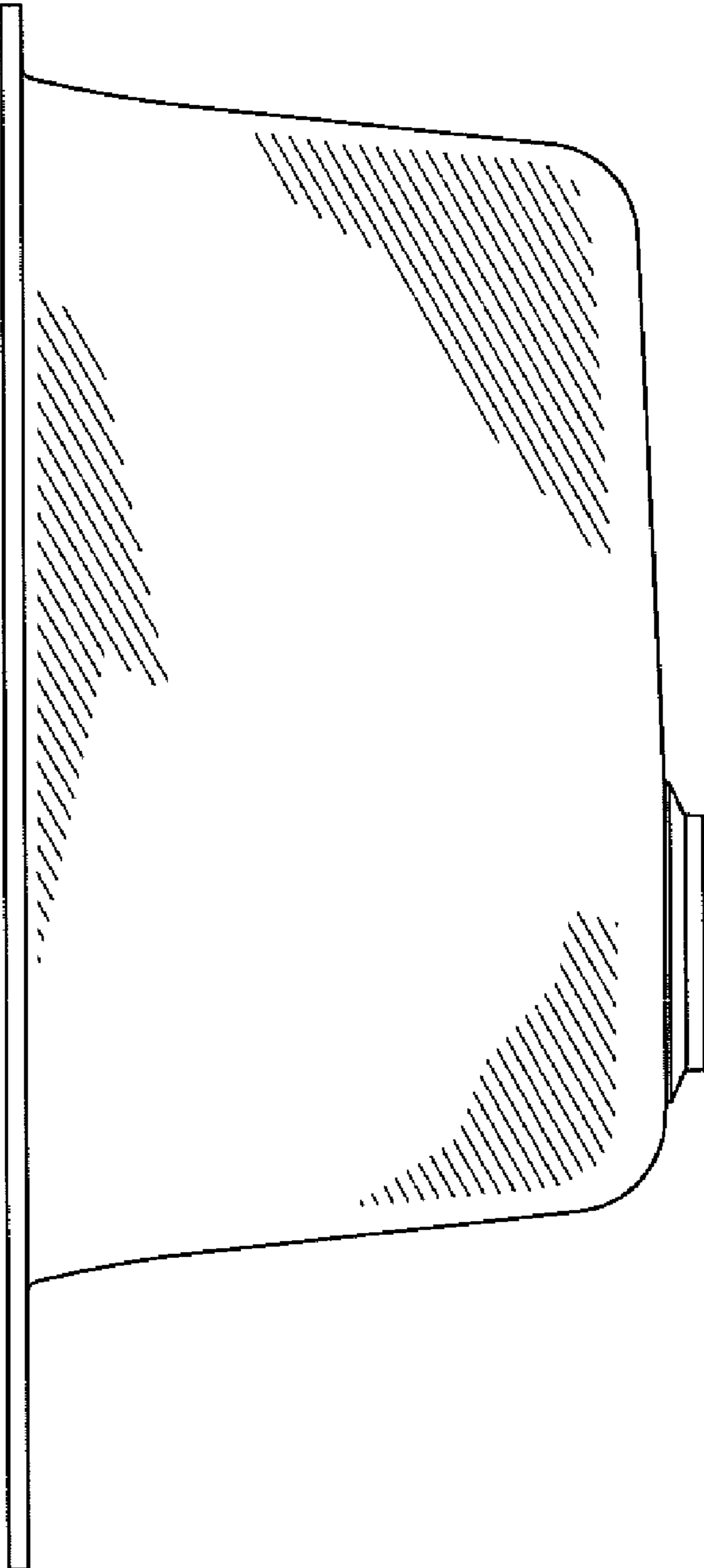


FIG. 7