



US00D586440S

(12) **United States Design Patent**  
**Ziemann**

(10) **Patent No.:** **US D586,440 S**

(45) **Date of Patent:** **\*\* Feb. 10, 2009**

(54) **SINK**

(75) Inventor: **Brigitte Ziemann**, Eppingen (DE)

(73) Assignee: **Blanco GmbH + Co KG**,  
Oberderdingen (DE)

(\*\*) Term: **14 Years**

(21) Appl. No.: **29/284,766**

(22) Filed: **Sep. 14, 2007**

(51) **LOC (9) Cl.** ..... **23-02**

(52) **U.S. Cl.** ..... **D23/290; D23/287**

(58) **Field of Classification Search** ..... D23/284,  
D23/287, 291-293.1, 303, 308, 290; 4/630,  
4/631, 637, 638, 661, 639-642  
See application file for complete search history.

(56) **References Cited**

**U.S. PATENT DOCUMENTS**

D243,241 S \* 2/1977 Doman ..... D23/284

D253,787 S \* 12/1979 Kinsey ..... D23/287

D259,439 S \* 6/1981 Doman ..... D23/287

D260,424 S \* 8/1981 Kinsey et al. .... D23/287

D324,902 S \* 3/1992 Kohler et al. .... D23/271

\* cited by examiner

*Primary Examiner*—Robert A Delehanty

(74) *Attorney, Agent, or Firm*—Hanley, Flight and  
Zimmerman, LLC

(57) **CLAIM**

The ornamental design for a “sink,” as shown and described.

**DESCRIPTION**

FIG. 1 is a perspective view of the sink;

FIG. 2 is a top plan view of the sink;

FIG. 3 is a bottom view of the sink;

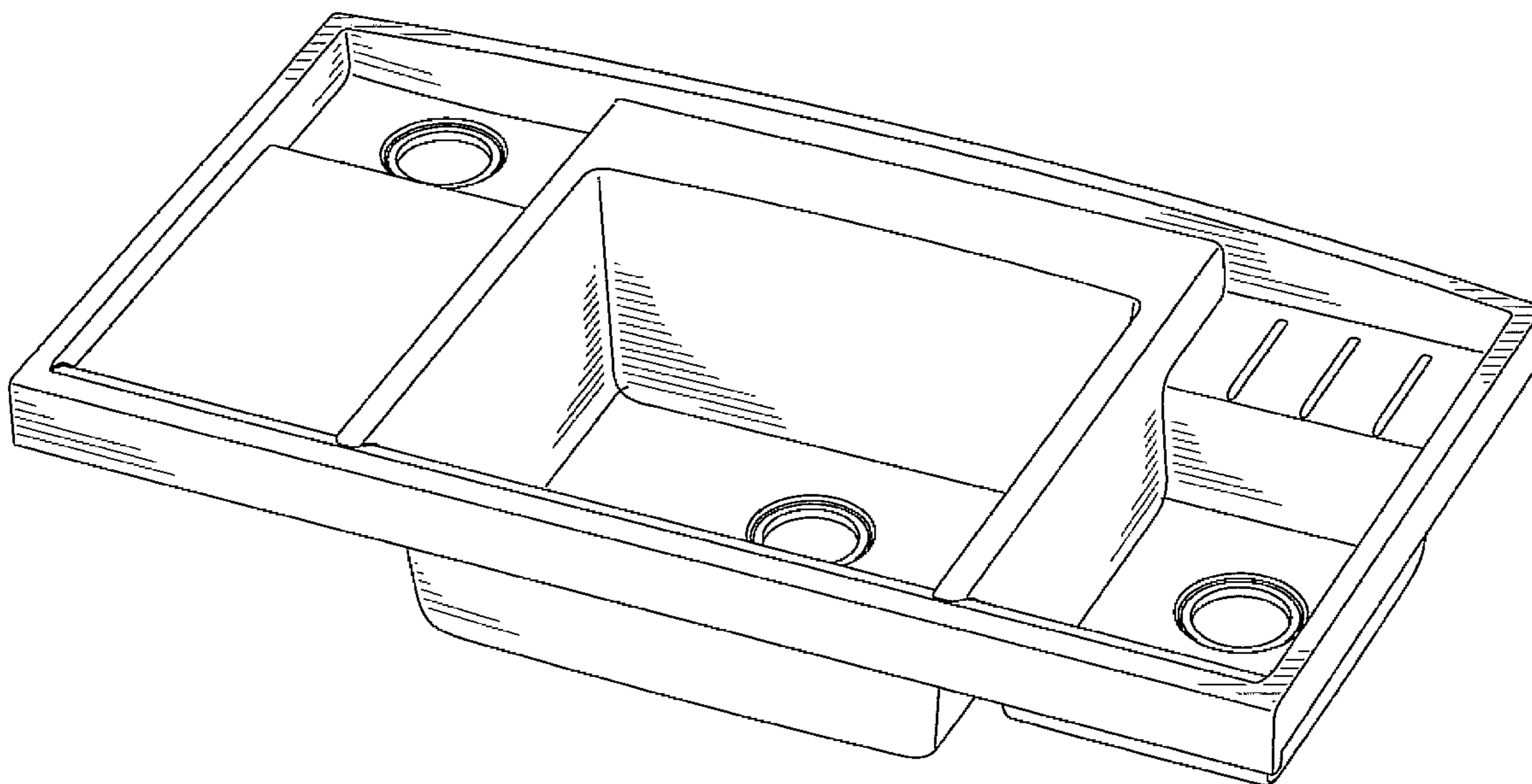
FIG. 4 is a front view of the sink;

FIG. 5 is a rear view of the sink;

FIG. 6 is a left side view of the sink; and,

FIG. 7 is a right side view of the sink.

**1 Claim, 7 Drawing Sheets**



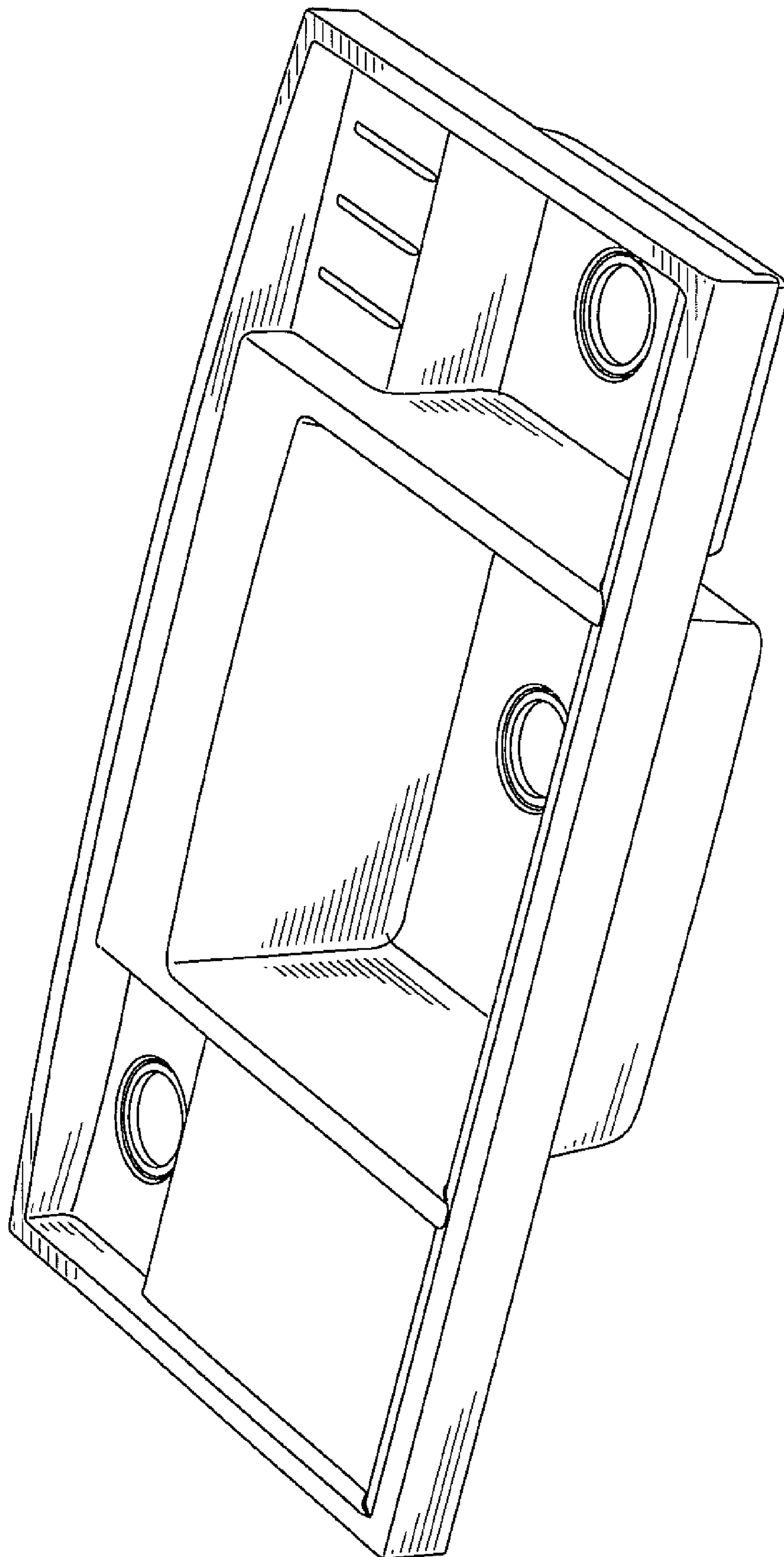
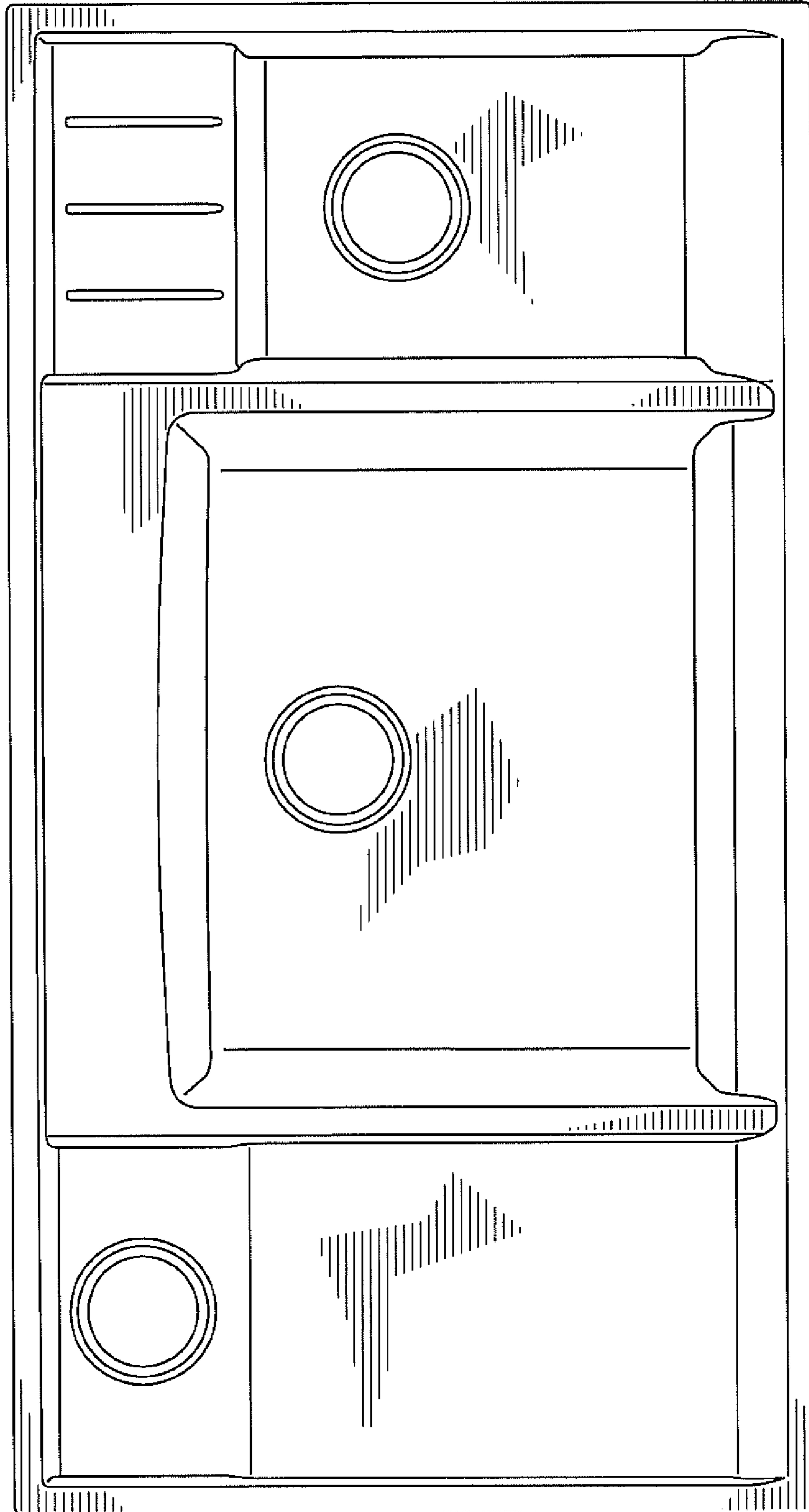


FIG. 1

FIG. 2



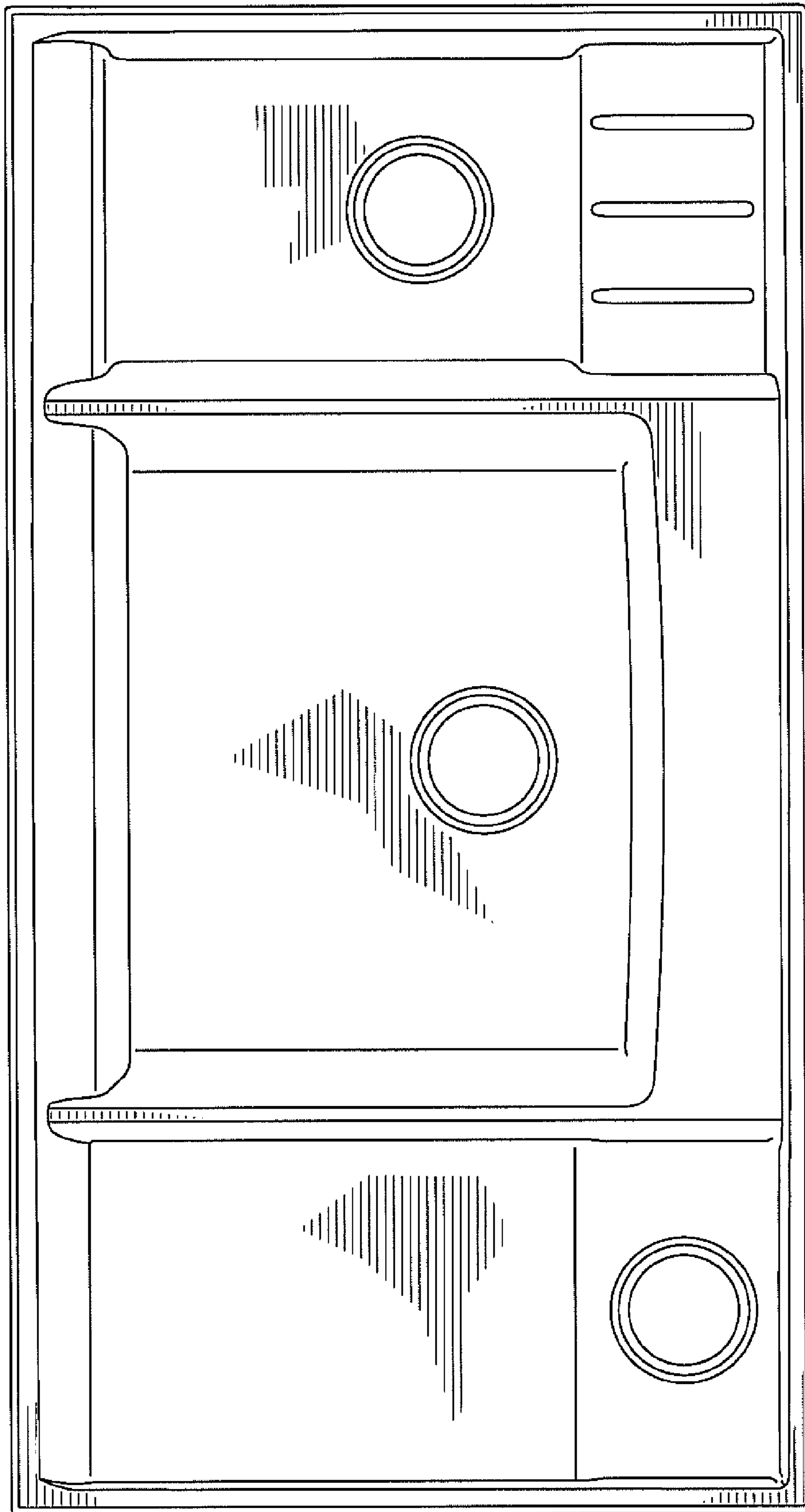


FIG. 3

FIG. 4

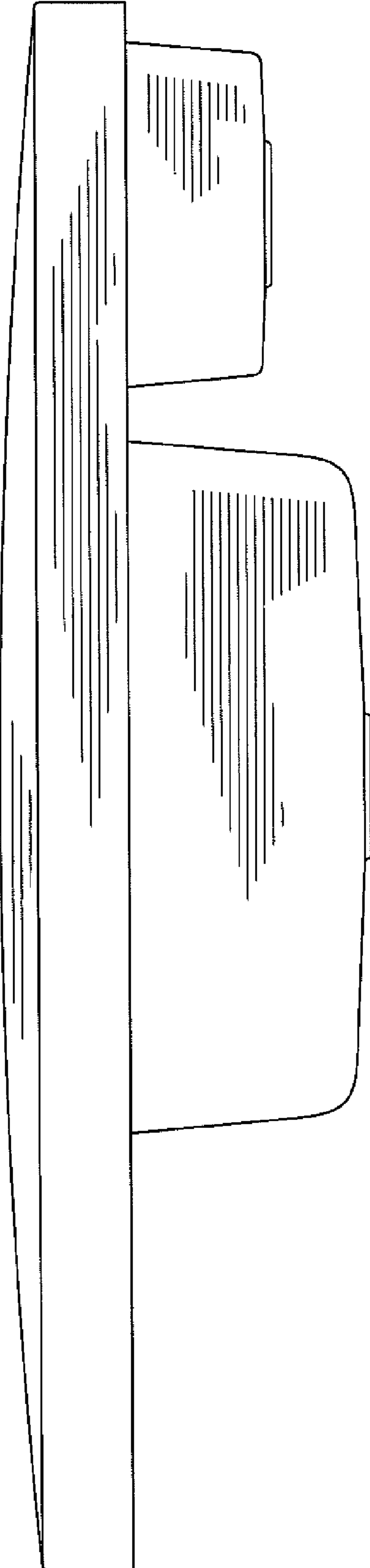
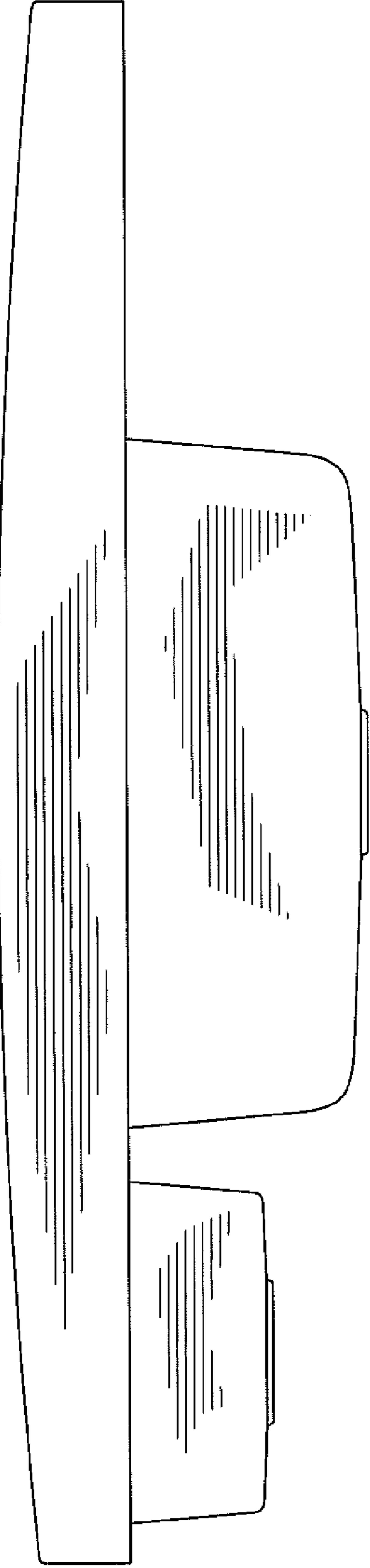


FIG. 5



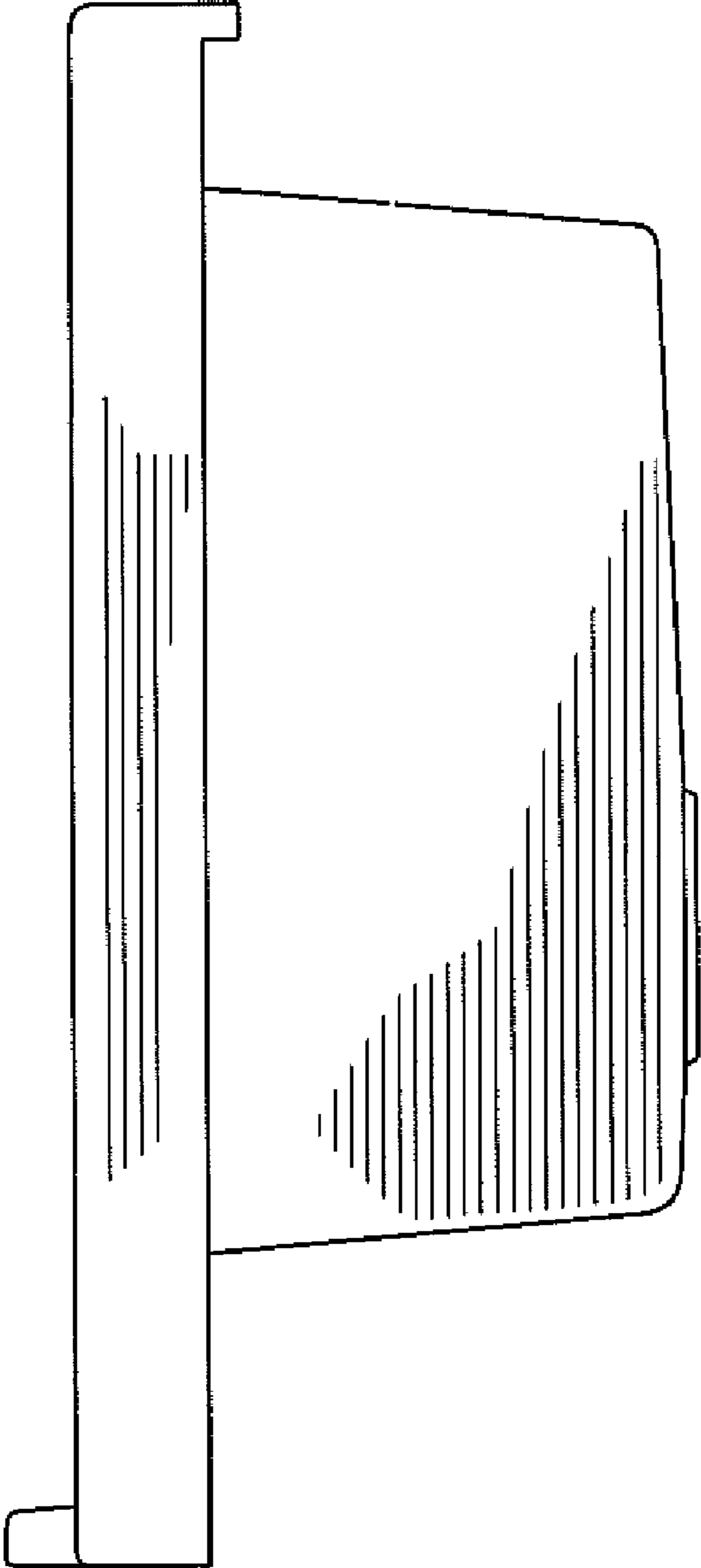


FIG. 6

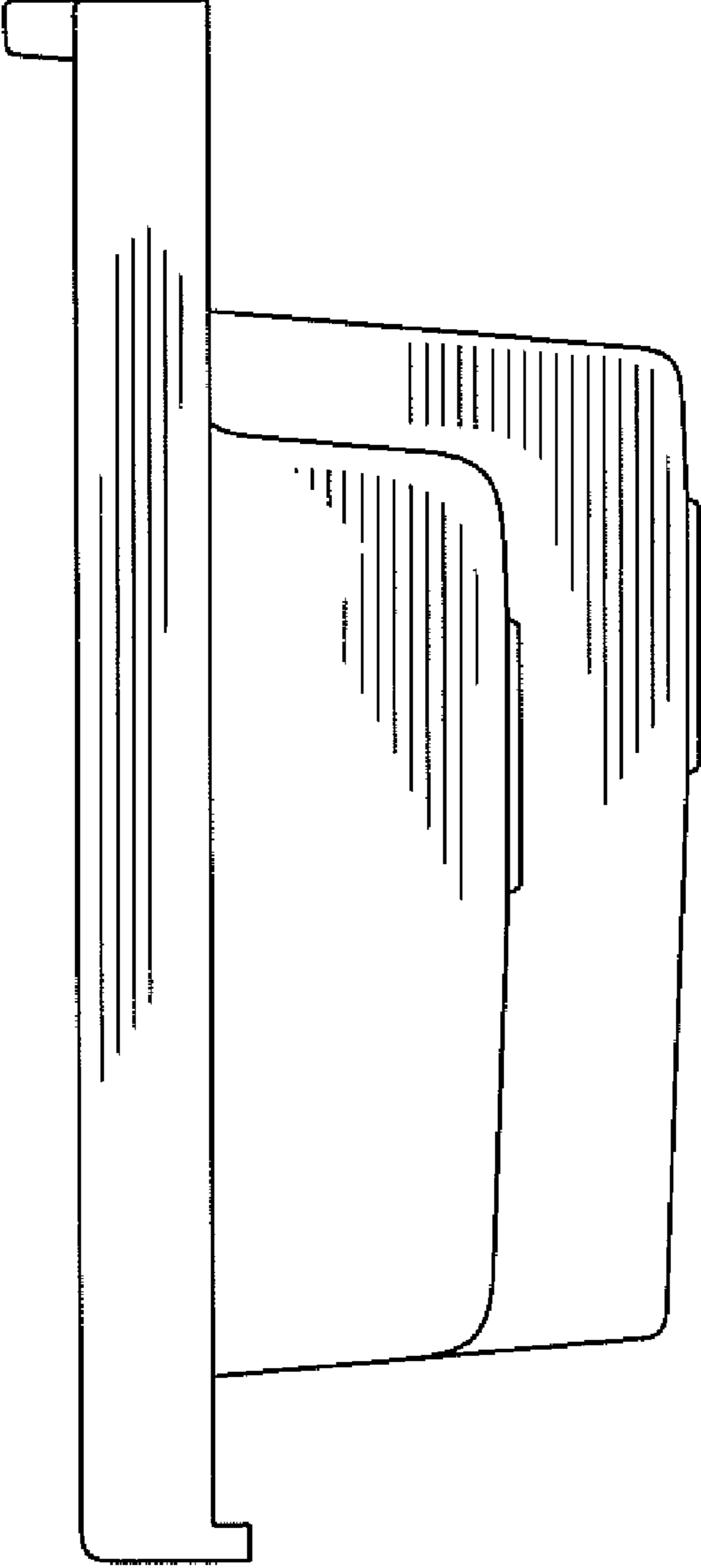


FIG. 7