



US00D586439S

(12) **United States Design Patent**
Porter

(10) **Patent No.:** **US D586,439 S**

(45) **Date of Patent:** **** Feb. 10, 2009**

(54) **BOX GUTTER**

(76) Inventor: **William D. Porter**, 1868 Mill Hill Rd.,
St. Clair, MO (US) 63077

(**) Term: **14 Years**

(21) Appl. No.: **29/305,845**

(22) Filed: **Mar. 28, 2008**

(51) **LOC (9) Cl.** **23-01**

(52) **U.S. Cl.** **D23/267**

(58) **Field of Classification Search** D23/259-269;
D25/119; 52/11, 12, 302.3

See application file for complete search history.

(56) **References Cited**

U.S. PATENT DOCUMENTS

D82,957 S *	12/1930	Rachlin	D23/267
D217,247 S *	4/1970	Brown	D23/267
D306,201 S *	2/1990	Paulsson	D23/267
D314,815 S *	2/1991	Paulsson	D23/267
5,740,633 A *	4/1998	Champagne	52/11
6,240,679 B1 *	6/2001	Smalara	52/16
D454,180 S *	3/2002	Wessels	D23/267
6,681,527 B2 *	1/2004	Baker	52/12
7,076,921 B2 *	7/2006	Spradlin	52/11
2005/0028452 A1 *	2/2005	Brochu	52/12
2005/0172565 A1 *	8/2005	Riley et al.	52/12

2006/0053696 A1* 3/2006 Gramling 52/11

OTHER PUBLICATIONS

Advanced Architectural Sheet Metal, Inc., Gutter Products, 7" Box,
<http://www.advarchsm.com/gutterproducts.htm>, Copyright 2007.

* cited by examiner

Primary Examiner—T. Chase Nelson

Assistant Examiner—Eric L Goodman

(74) *Attorney, Agent, or Firm*—Grace J. Fishel

(57) **CLAIM**

The ornamental design for a box gutter, as shown and described.

DESCRIPTION

FIG. 1 is a perspective view of a box gutter showing my new design;

FIG. 2 is a left end view thereof, the right end view being a mirror image;

FIG. 3 is a front elevation thereof;

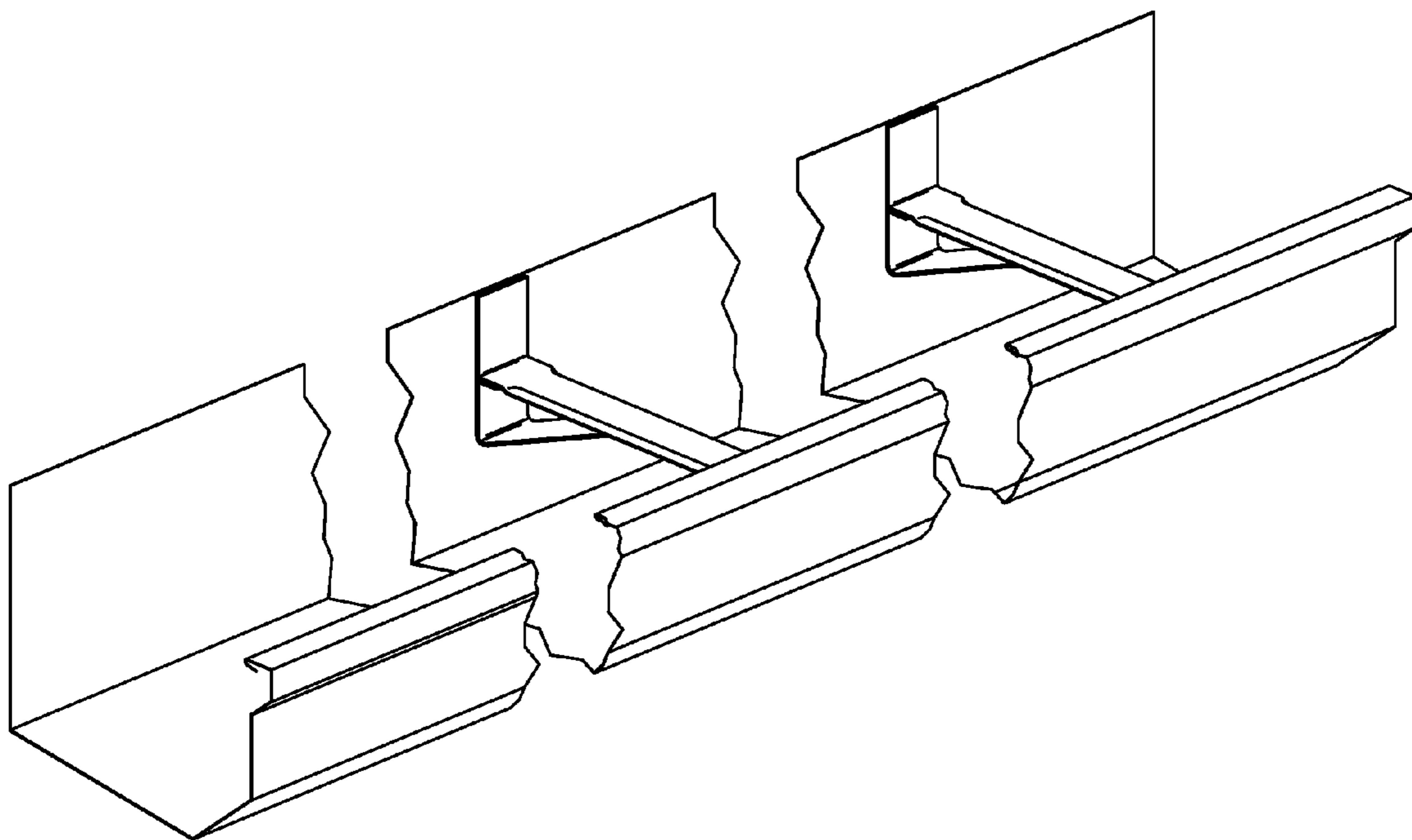
FIG. 4 is a top plan view thereof;

FIG. 5 is a bottom plan view thereof; and,

FIG. 6 is a rear elevation thereof.

The use of separations in the drawings indicates that the precise length of the box gutter is not claimed.

1 Claim, 2 Drawing Sheets



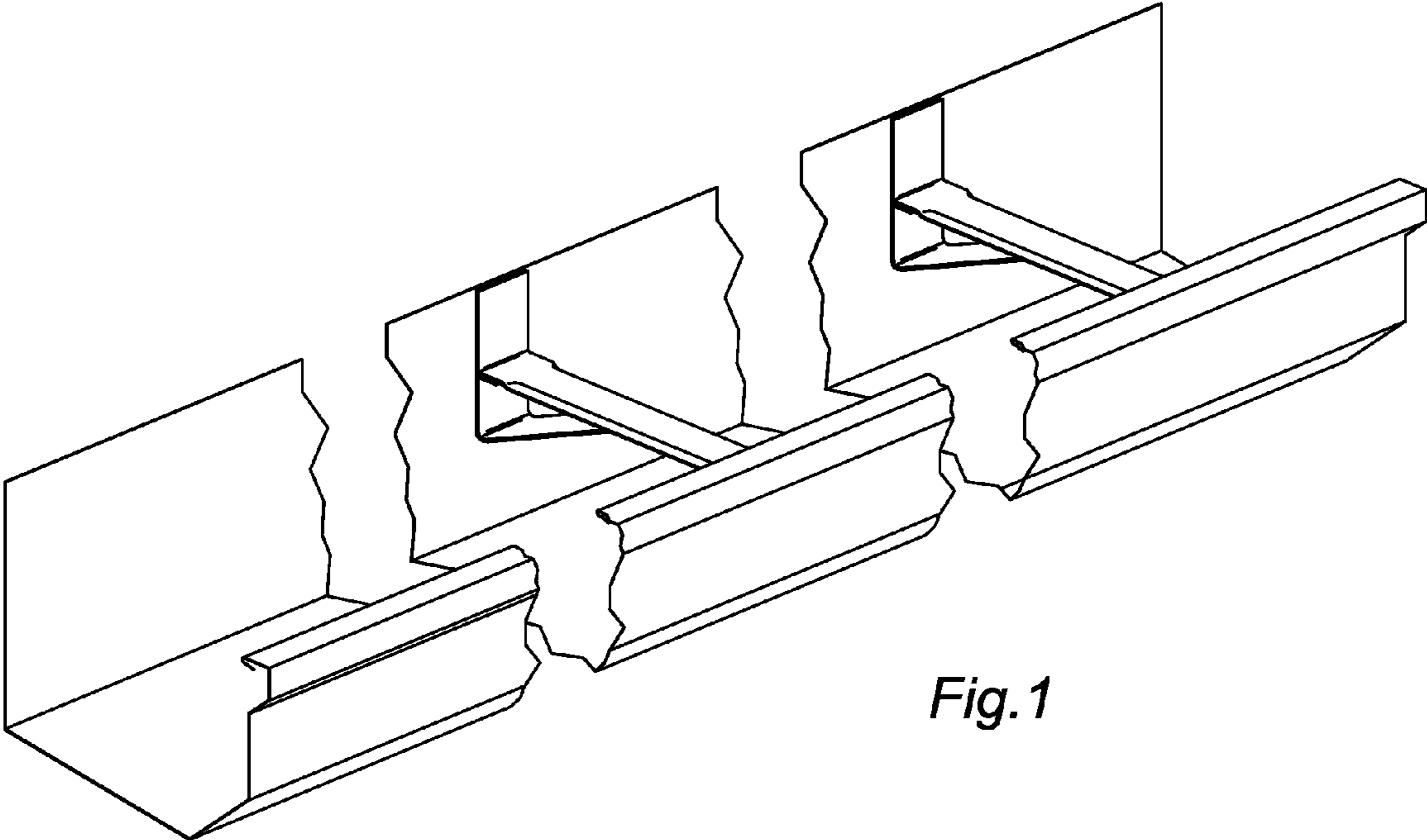


Fig. 1

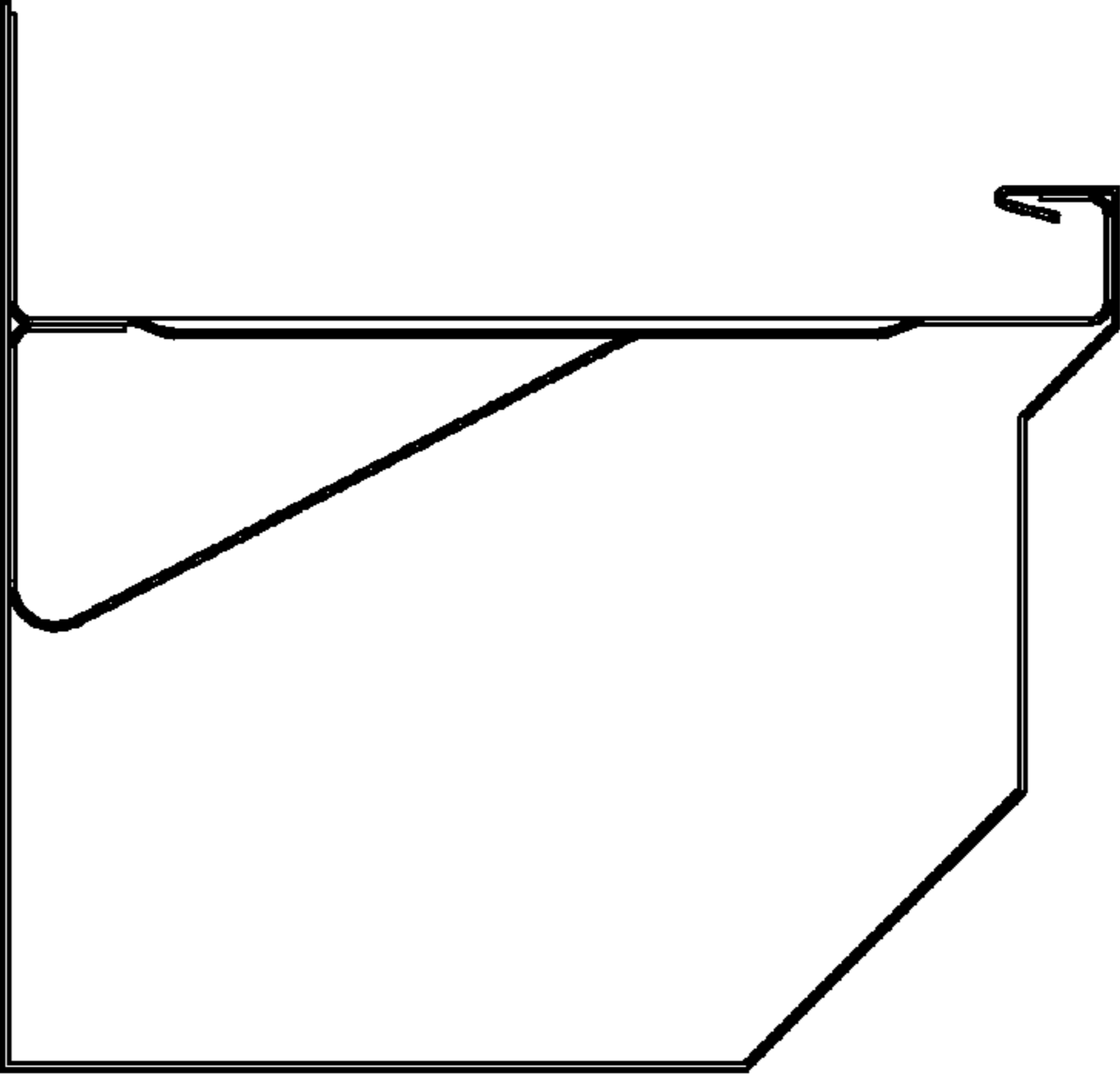


Fig. 2

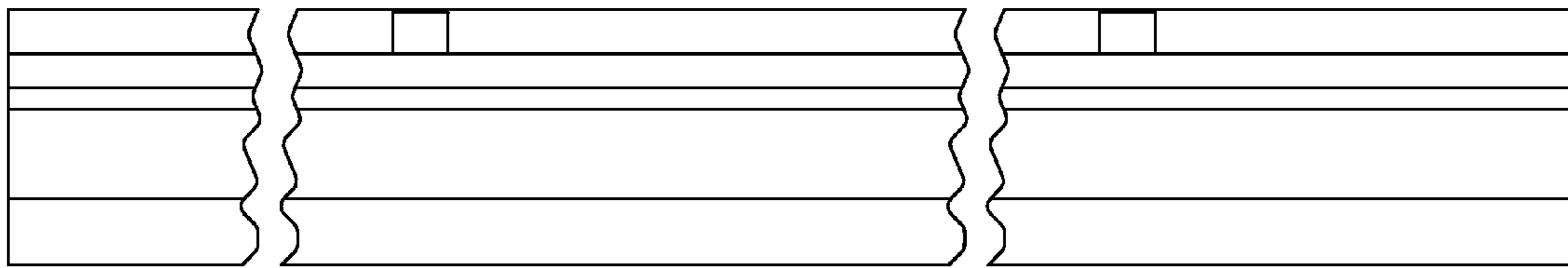


Fig.3

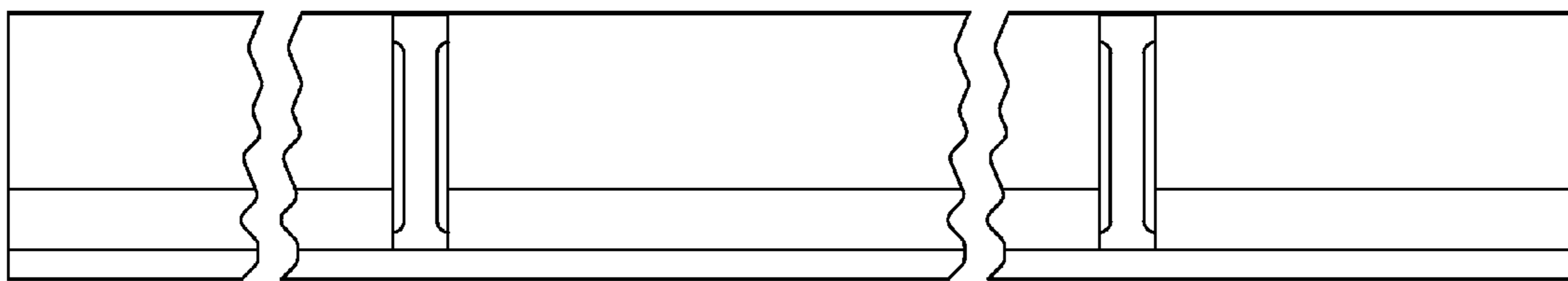


Fig.4

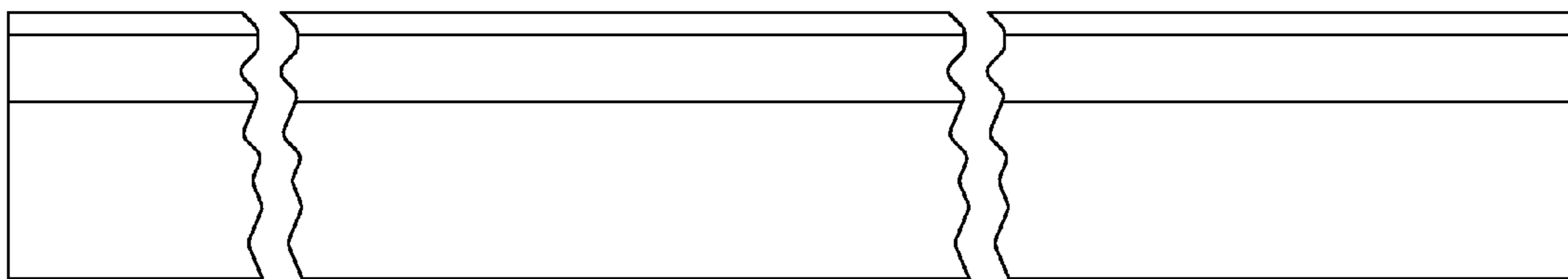


Fig.5



Fig.6