



US00D586438S

(12) **United States Design Patent**  
**Hockemeyer et al.**

(10) **Patent No.:** **US D586,438 S**

(45) **Date of Patent:** **\*\* Feb. 10, 2009**

(54) **WALL CAP**

(75) Inventors: **Timothy J. Hockemeyer**, Midland, MI (US); **Kenneth Staten**, Clare, MI (US)

(73) Assignee: **Serenus Johnson Portables, LLC**, Bay City, MI (US)

(\*\*) Term: **14 Years**

(21) Appl. No.: **29/265,477**

(22) Filed: **Aug. 31, 2006**

(51) **LOC (9) Cl.** ..... **23-01**

(52) **U.S. Cl.** ..... **D23/267; D25/35**

(58) **Field of Classification Search** ..... D25/199, D25/164, 121, 126, 61, 35; 52/48, 81.3, 52/167.3, 837, 93.1, 223.4, 243, 282.2, 649.2, 52/831, FOR. 161, 94, 95, 96, 11, 12; D23/267  
See application file for complete search history.

(56) **References Cited**

**U.S. PATENT DOCUMENTS**

3,411,251	A *	11/1968	Corry	.....	52/94
3,436,877	A *	4/1969	Gunning	.....	52/11
3,824,749	A *	7/1974	Scherf	.....	52/11
3,967,419	A *	7/1976	Robinson	.....	52/16
4,125,979	A	11/1978	McLaughlin		
4,290,246	A	9/1981	Hilsey		
4,731,964	A	3/1988	Phillips		
4,858,398	A	8/1989	Ricchini		
4,872,470	A	10/1989	Hayashida et al.		
4,912,888	A *	4/1990	Martin	.....	52/12
5,072,554	A	12/1991	Hayman		
5,083,410	A	1/1992	Watson		
5,113,631	A	5/1992	diGirolamo et al.		
D328,500	S *	8/1992	Hardy	.....	D25/119
5,195,293	A	3/1993	diGirolamo et al.		
5,402,612	A	4/1995	diGirolamo et al.		
5,515,659	A	5/1996	MacDonald et al.		
5,706,624	A	1/1998	Lipson		
5,921,047	A	7/1999	Walker		
5,930,961	A	8/1999	Beudet		
6,016,631	A *	1/2000	Lowrie, III	.....	52/12

6,173,547	B1	1/2001	Lipson		
6,260,312	B1	7/2001	Spene et al.		
6,263,637	B1	7/2001	Spene et al.		
6,266,863	B1	7/2001	Spene et al.		
6,442,904	B1 *	9/2002	Ortiz	.....	52/11
D468,812	S *	1/2003	Doyle et al.	.....	D23/267
6,536,147	B1	3/2003	Funk et al.		
6,557,955	B2	5/2003	Saravis		
6,598,363	B1	7/2003	Ferguson et al.		
6,694,685	B2	2/2004	Celata		
6,854,218	B2	2/2005	Weiss		
D505,716	S *	5/2005	Kavanagh	.....	D23/267
6,951,079	B2	10/2005	Weiss		
6,981,347	B1	1/2006	Walburger		
7,048,346	B2	5/2006	Saravis		
2004/0163329	A1 *	8/2004	Back et al.	.....	52/94

\* cited by examiner

*Primary Examiner*—Doris Clark

(74) *Attorney, Agent, or Firm*—Carlson, Gaskey & Olds PC

(57) **CLAIM**

We claim the ornamental design for a wall cap, as shown and described.

**DESCRIPTION**

FIG. 1 is a perspective view of a shelter illustrating a position of a wall cap;

FIG. 2 is a perspective view of the support structure of the shelter illustrating the location of the wall cap soffit;

FIG. 3 is a perspective view of the wall cap;

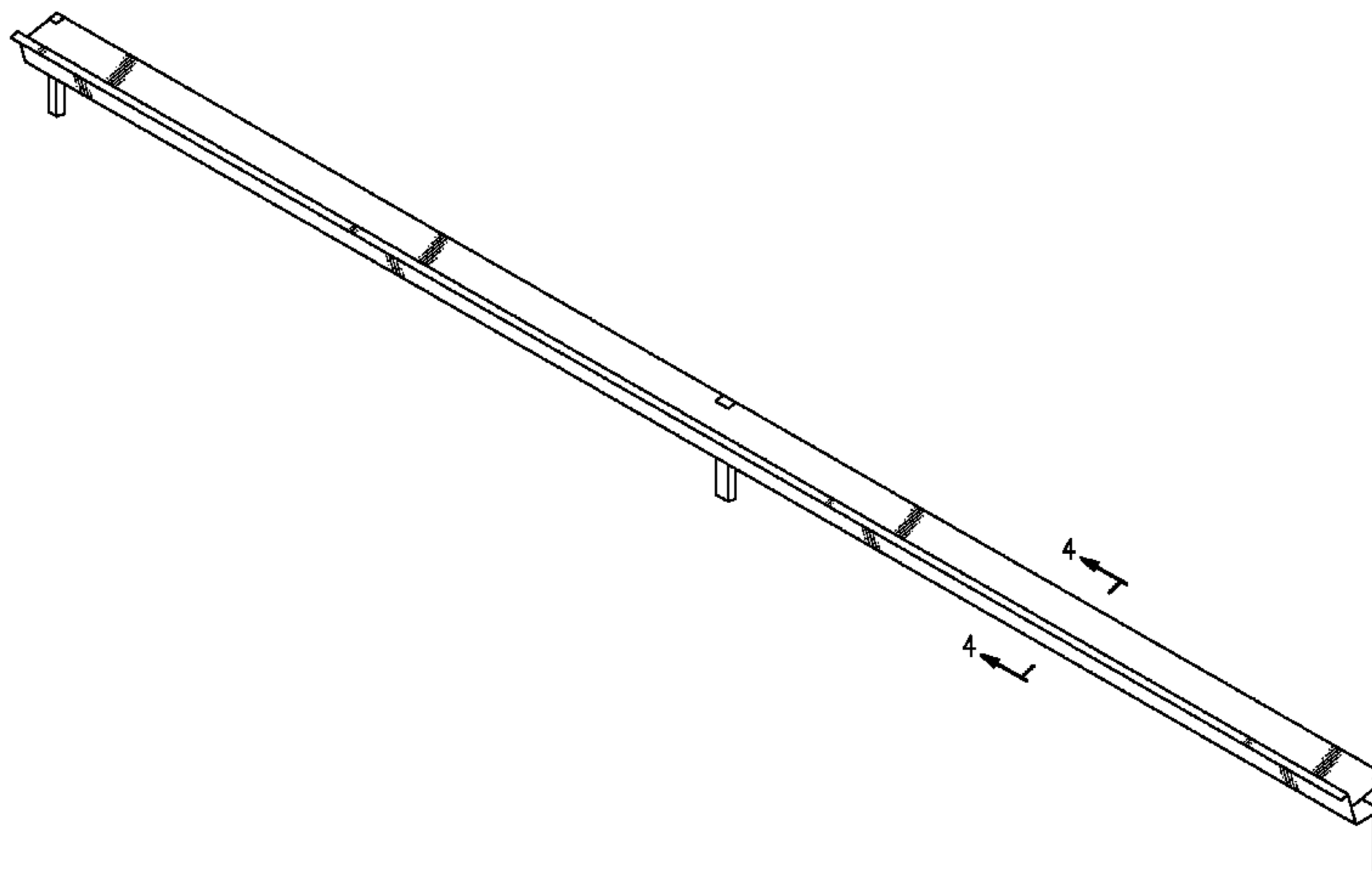
FIG. 4 is a sectional view of the wall cap taken along the line 4—4 in FIG. 3;

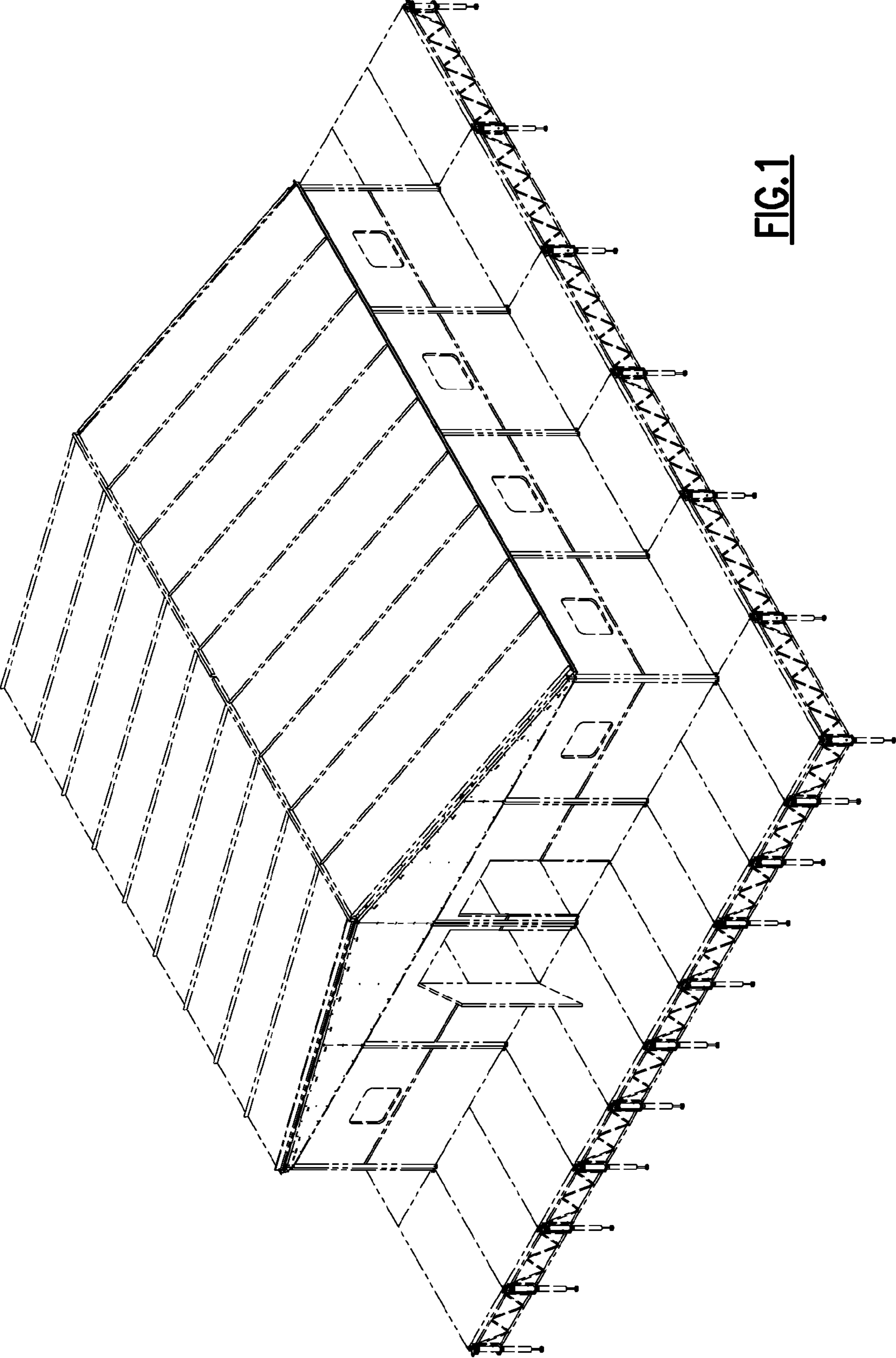
FIG. 5 is a general perspective view of the wall cap being installed in the support structure of the shelter; and,

FIG. 6 is an expanded view of the interface of the wall cap and the support structure.

The broken lines are for illustrative purposes only and form no part of the claimed design.

**1 Claim, 4 Drawing Sheets**





**FIG.1**

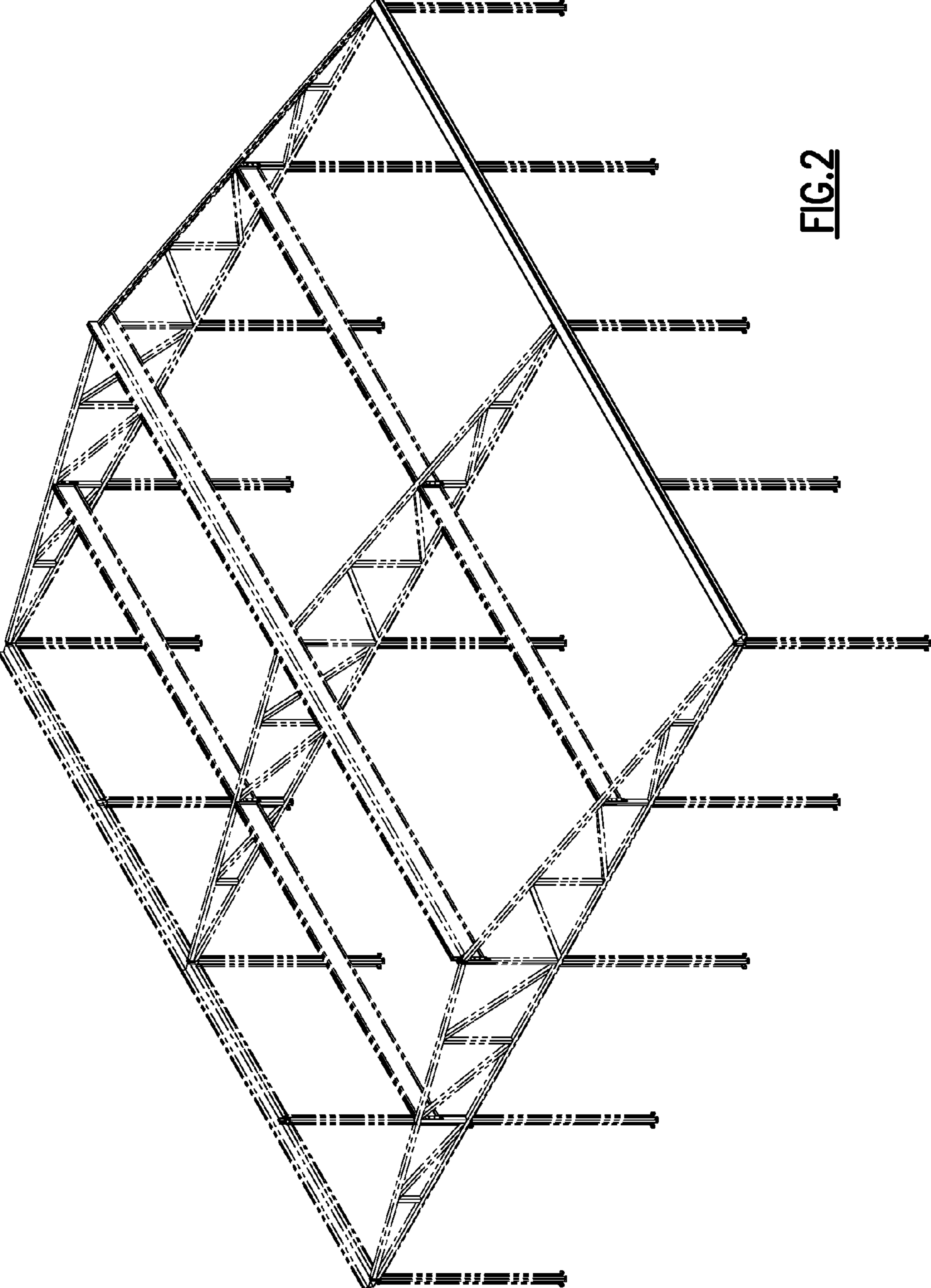
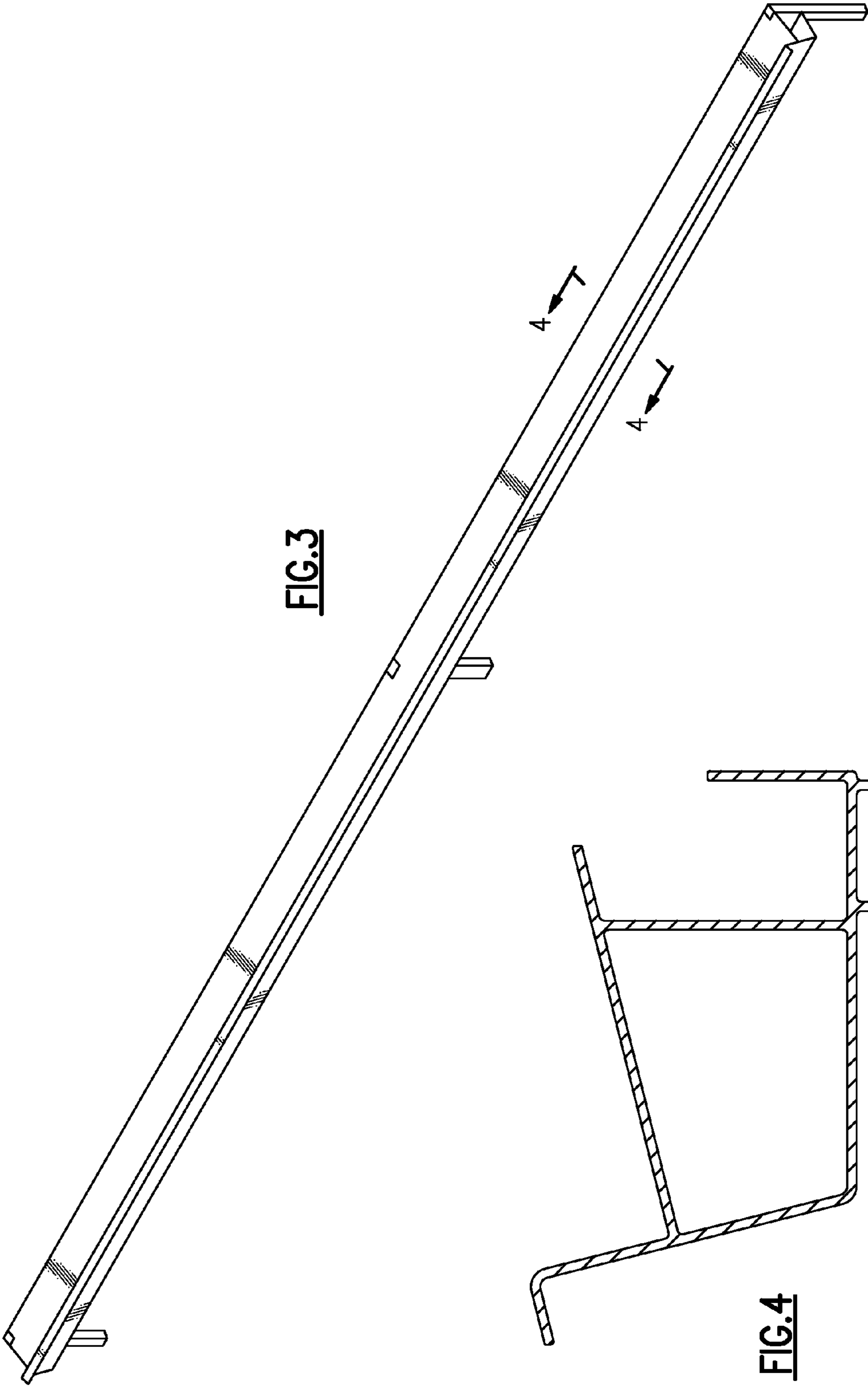


FIG. 2





**FIG.3**

**FIG.4**

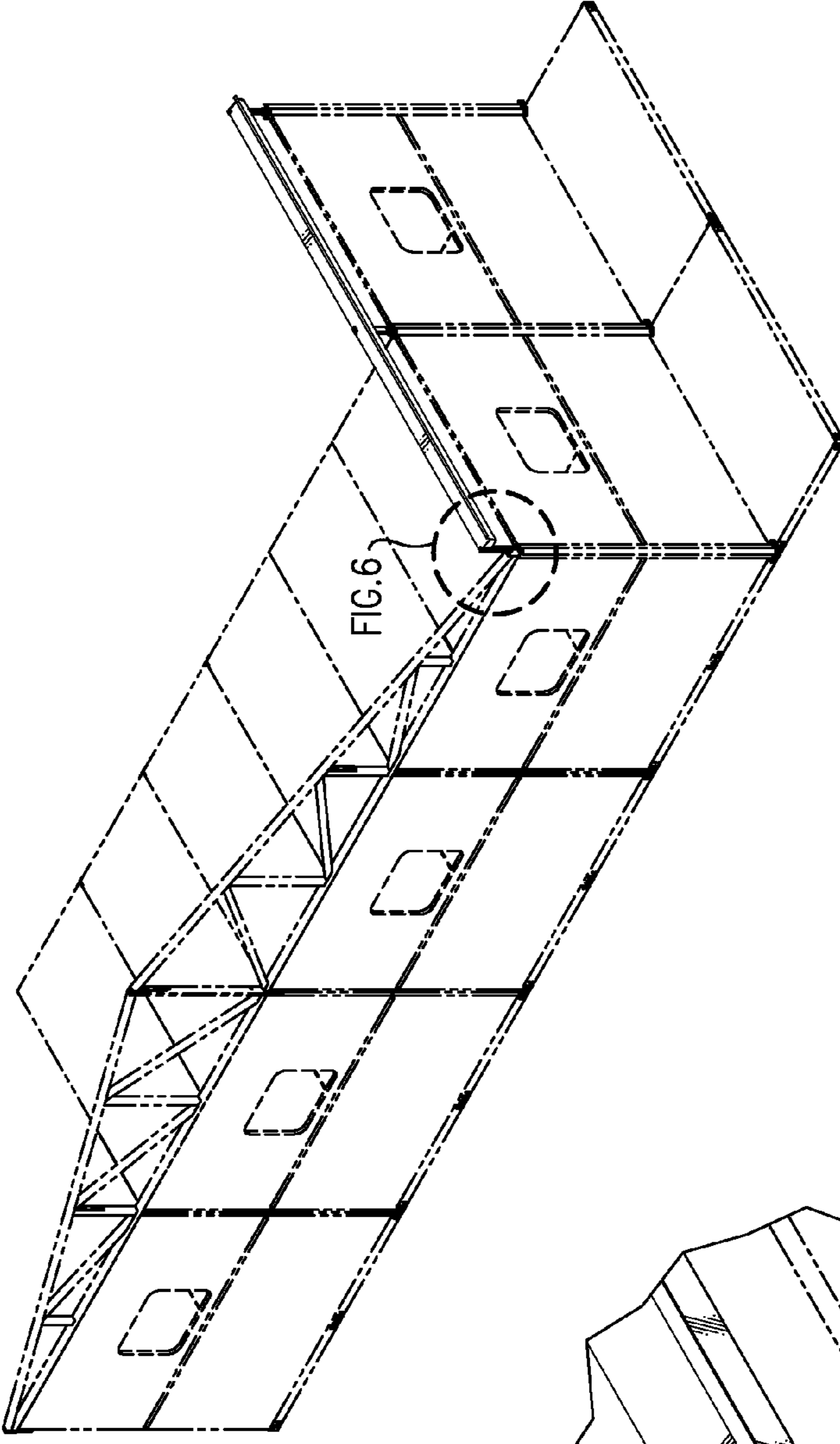


FIG. 5

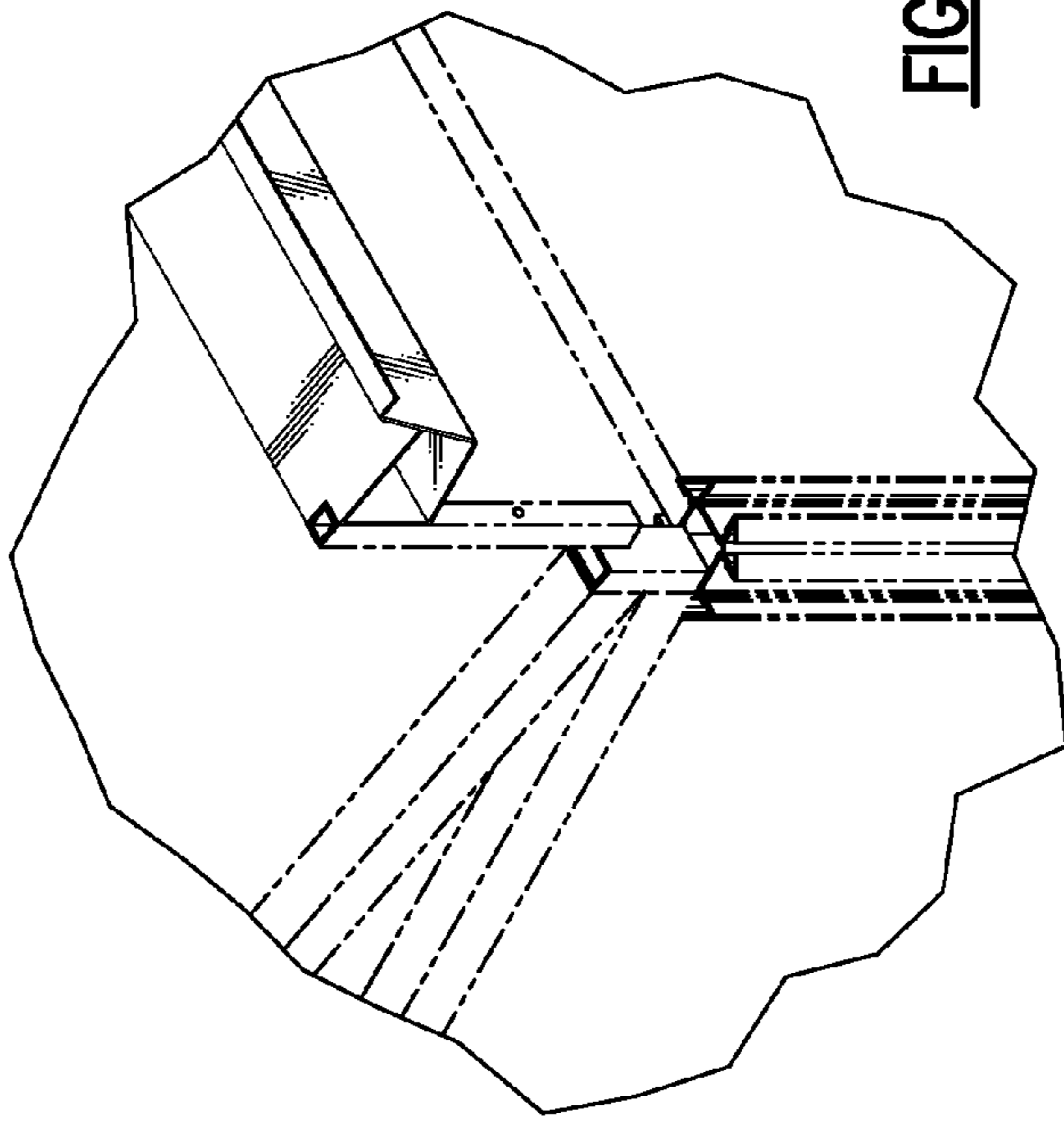


FIG. 6