



US00D586435S

(12) **United States Design Patent**
Reckseen

(10) **Patent No.:** **US D586,435 S**

(45) **Date of Patent:** **** Feb. 10, 2009**

(54) **WATER HOSE**

(76) **Inventor:** **David L. Reckseen**, 2162 Ridge Dr.,
Broomfield, CO (US) 80020

(**) **Term:** **14 Years**

(21) **Appl. No.:** **29/286,814**

(22) **Filed:** **May 19, 2007**

Related U.S. Application Data

(63) Continuation of application No. 11/219,181, filed on
Sep. 2, 2005, now abandoned.

(51) **LOC (9) Cl.** **23-01**

(52) **U.S. Cl.** **D23/266**

(58) **Field of Classification Search** D23/259–269;
285/356, 303, 337; 138/109–110, 119, 134–135
See application file for complete search history.

(56) **References Cited**

U.S. PATENT DOCUMENTS

701,272	A *	5/1902	Neil	285/222.1
2,640,502	A *	6/1953	Powers	285/114
3,707,032	A *	12/1972	Brunelle et al.	29/460
3,924,661	A *	12/1975	Bornhoffer	138/110
4,805,933	A *	2/1989	Swisher	285/38
D323,207	S *	1/1992	Cole et al.	D23/266
5,497,514	A *	3/1996	Miller	4/255.04
D381,405	S *	7/1997	Waidele et al.	D23/266
5,915,735	A *	6/1999	Noble	285/4
6,223,777	B1 *	5/2001	Smith et al.	138/109
D469,859	S *	2/2003	Didone	D23/266
D479,741	S *	9/2003	Chiu	D23/266
D488,544	S *	4/2004	Akaltan	D23/266
D497,414	S *	10/2004	Matsumoto	D23/262
D531,284	S *	10/2006	Wagner et al.	D23/266

D531,706	S *	11/2006	Wagner et al.	D23/266
D531,707	S *	11/2006	Wagner et al.	D23/266
D531,708	S *	11/2006	Wagner et al.	D23/266
2004/0244858	A1 *	12/2004	Jeong	138/122

* cited by examiner

Primary Examiner—Louis S Zarfaz

Assistant Examiner—Eric L Goodman

(74) *Attorney, Agent, or Firm*—Edwin H. Crabtree; Ramon L. Dizawo

(57) **CLAIM**

The ornamental design for a “water hose,” as shown and described.

DESCRIPTION

FIG. 1 is a perspective view of the water hose in a coil and illustrating my new design. The broken lines in FIG. 1 illustrate a water faucet connected to one end of the water hose and water exiting an opposite end of the water hose. The water faucet and water are for illustrative purposes only and form no part of the invention.

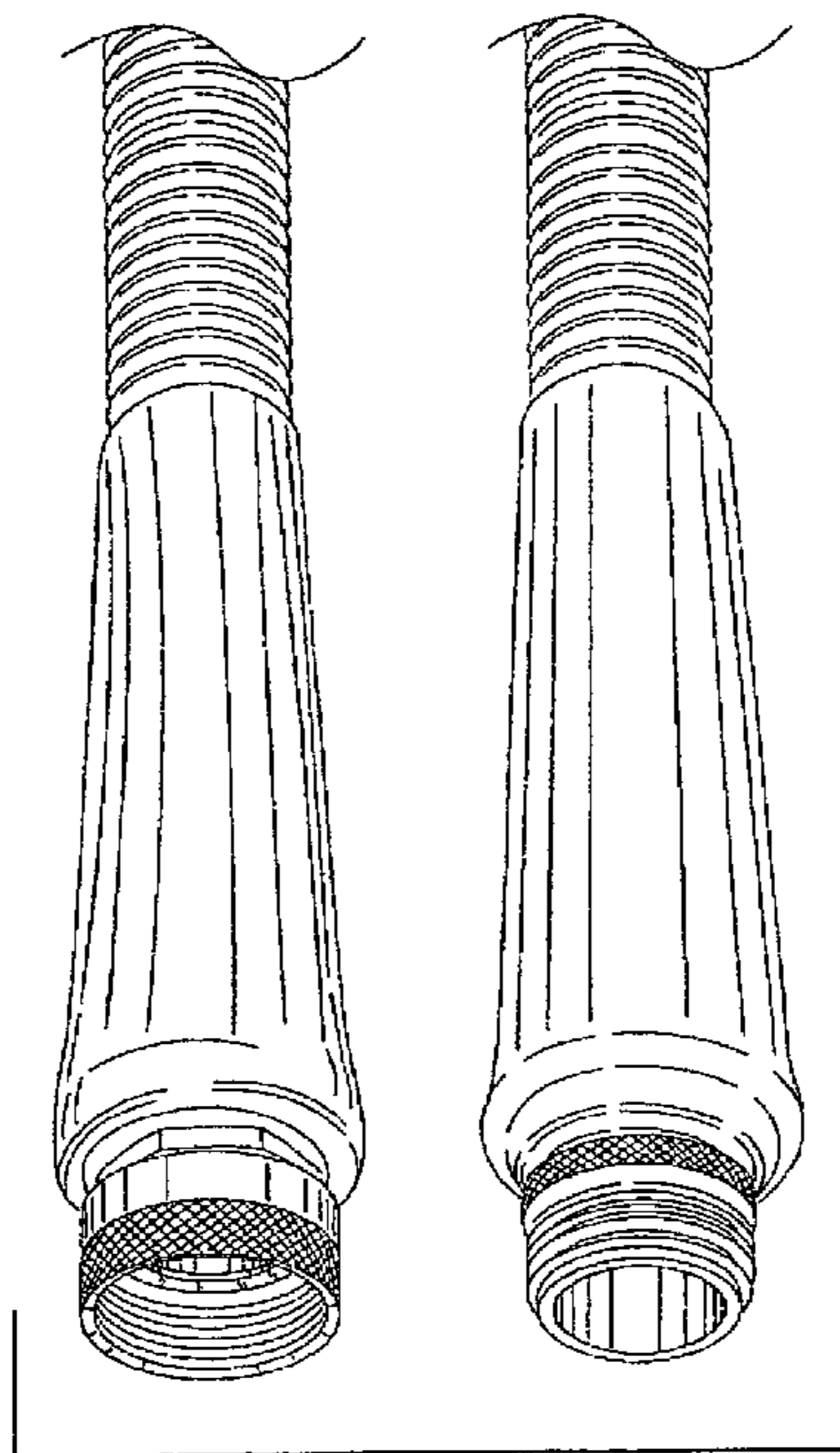
FIG. 2 is an enlarged perspective view of the opposite ends of the water hose as shown in FIG. 1.

FIG. 3 is an enlarged front elevational view of the opposite ends of the water hose shown in FIG. 2.

FIG. 4 is an enlarged side elevational view of the male and female connectors of the water hose shown in FIG. 1 and connected together; and,

FIG. 5 is an enlarged side elevational view of the opposite ends of the connectors of the water hose shown in FIG. 1 and disposed next to each other. The side elevational view of the opposite ends of the connectors is identical therearound.

1 Claim, 4 Drawing Sheets



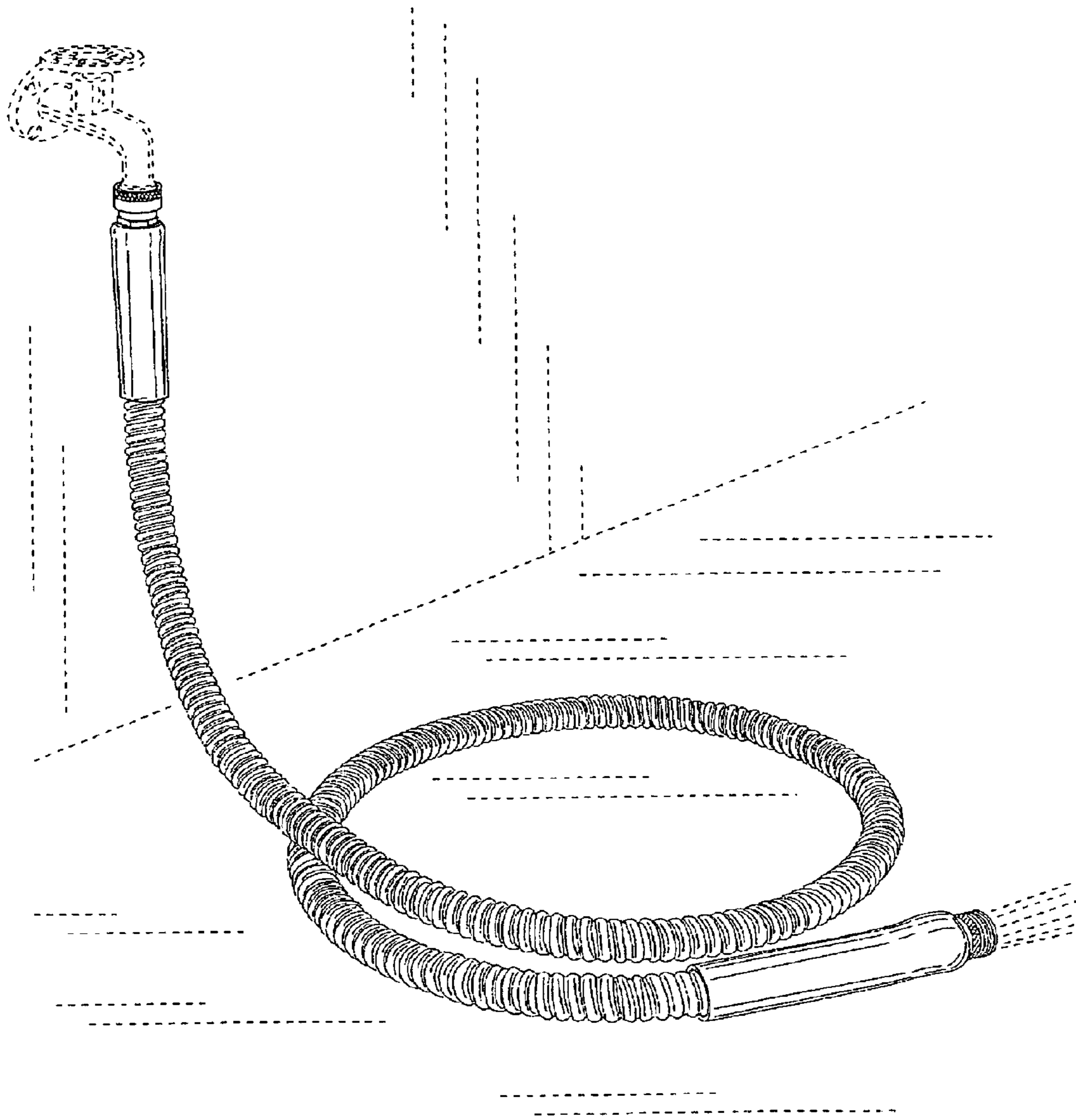


FIG. 1

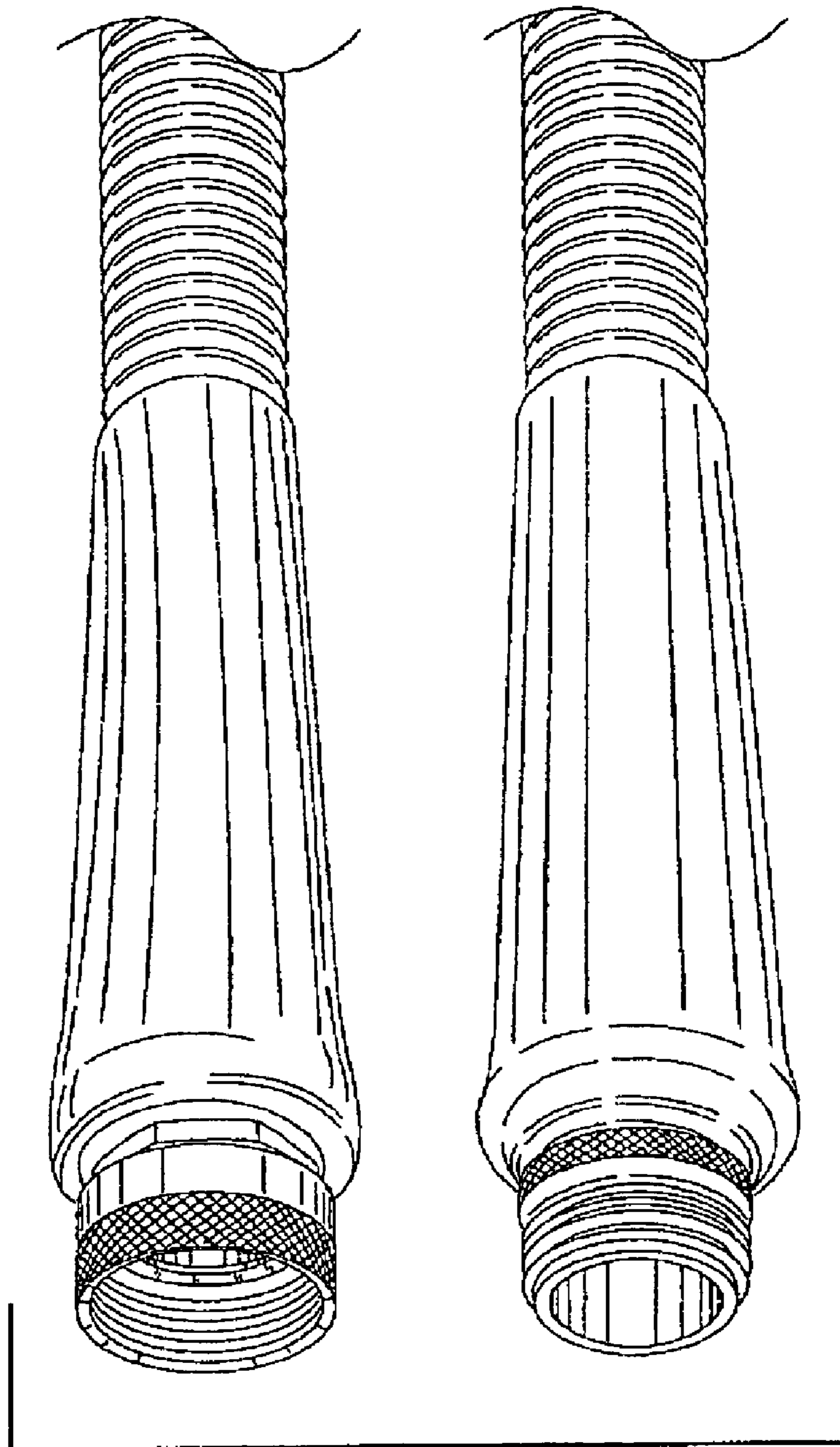


FIG. 2

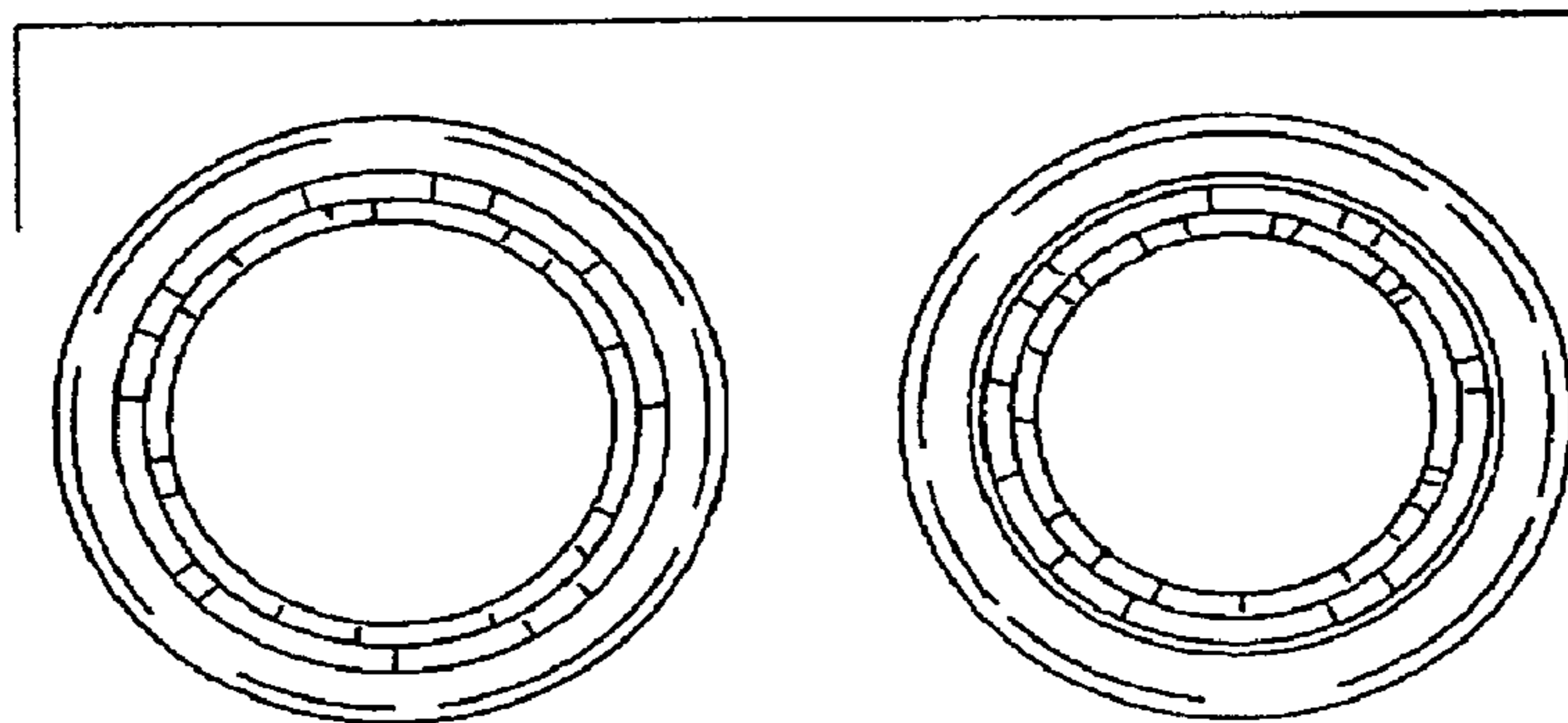


FIG. 3

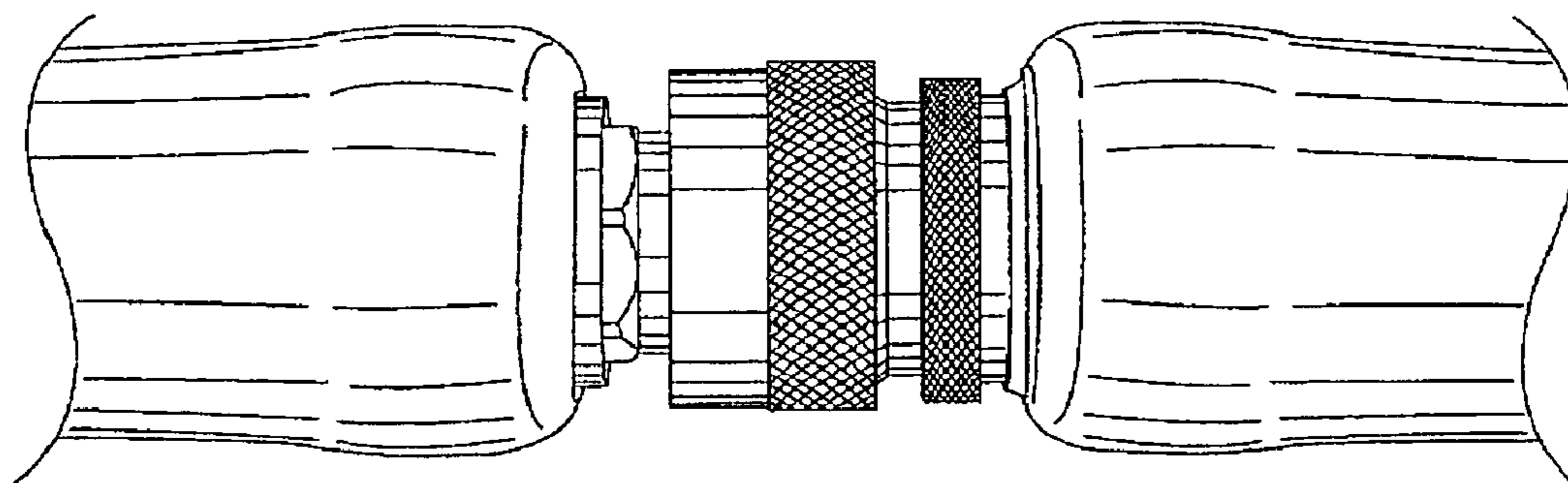


FIG. 4

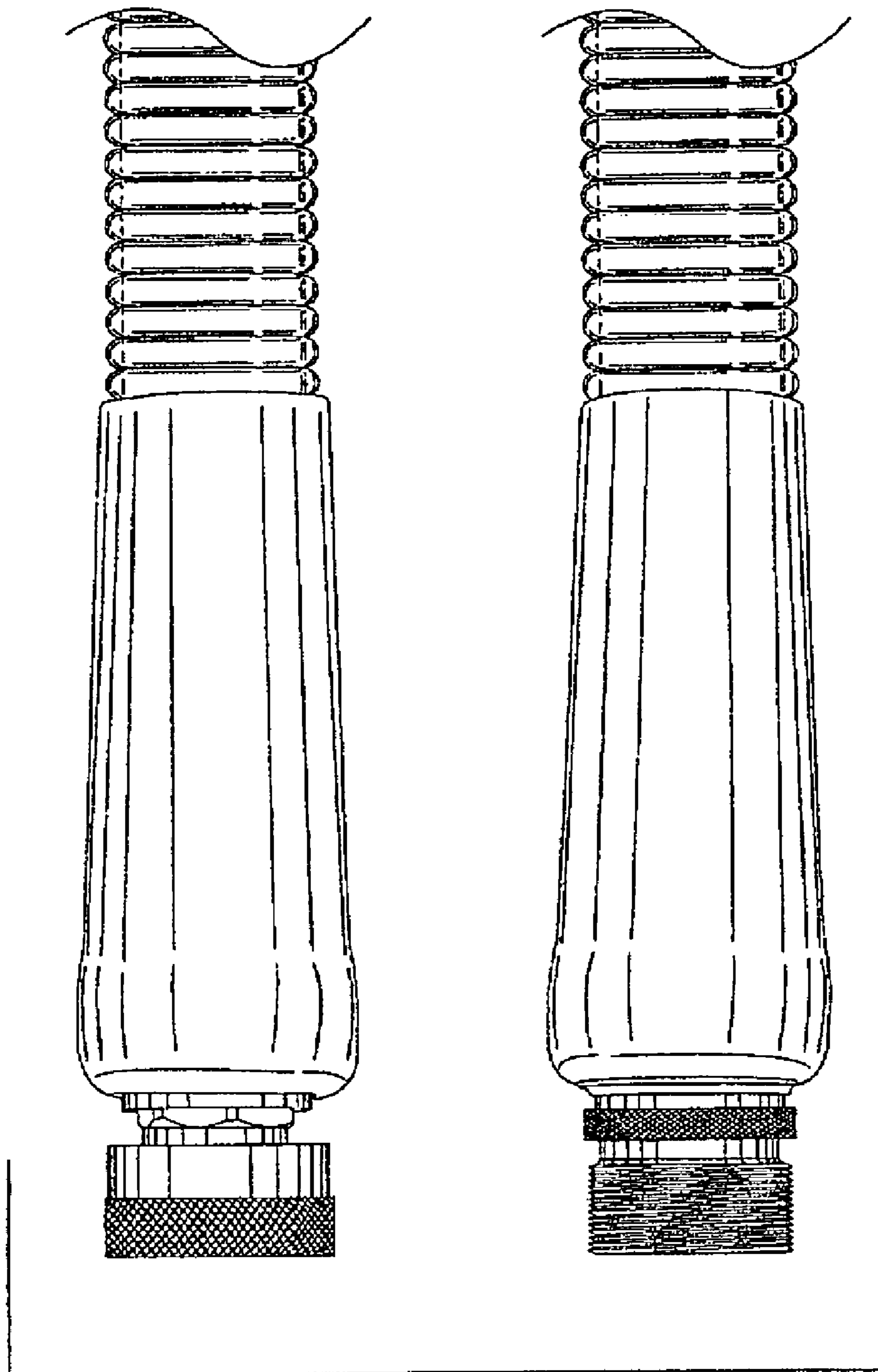


Fig. 5