



US00D586433S

(12) **United States Design Patent**  
**Price et al.**

(10) **Patent No.:** **US D586,433 S**

(45) **Date of Patent:** **\*\* Feb. 10, 2009**

(54) **SWIVEL ELBOW SEWER FITTING**

(75) Inventors: **Clay D. Price**, Stokesdale, NC (US);  
**Jeffrey R. Russell**, Winston Salem, NC (US)

(73) Assignee: **Camco Manufacturing Inc.**, Greensboro, NC (US)

(\*\*) Term: **14 Years**

(21) Appl. No.: **29/307,286**

(22) Filed: **Apr. 10, 2008**

(51) **LOC (9) Cl.** ..... **23-01**

(52) **U.S. Cl.** ..... **D23/259**

(58) **Field of Classification Search** ..... 285/11-12,  
285/7, 177, 394-395, 307, 179, 179.1, 133.11,  
285/133.12, 423, 358, 903; D23/263; 138/177-179;  
403/350, 409.1; 292/58-59

See application file for complete search history.

(56) **References Cited**

**U.S. PATENT DOCUMENTS**

|           |      |         |                |       |            |
|-----------|------|---------|----------------|-------|------------|
| 3,078,109 | A *  | 2/1963  | Jackson et al. | ..... | 285/251    |
| 4,173,989 | A *  | 11/1979 | Prest          | ..... | 138/109    |
| 4,722,556 | A *  | 2/1988  | Todd           | ..... | 285/12     |
| 4,758,027 | A *  | 7/1988  | Todd           | ..... | 285/148.23 |
| 5,090,743 | A *  | 2/1992  | Obering        | ..... | 285/133.21 |
| 5,333,910 | A *  | 8/1994  | Bailey         | ..... | 285/12     |
| 5,388,865 | A *  | 2/1995  | Hawkins        | ..... | 285/89     |
| 5,417,460 | A *  | 5/1995  | Lunder         | ..... | 285/253    |
| D480,787  | S *  | 10/2003 | Wilk et al.    | ..... | D23/263    |
| D481,447  | S *  | 10/2003 | Dole et al.    | ..... | D23/263    |
| D482,103  | S *  | 11/2003 | Snyder et al.  | ..... | D23/263    |
| 7,121,593 | B2 * | 10/2006 | Snyder et al.  | ..... | 285/340    |

|              |      |         |                    |       |         |
|--------------|------|---------|--------------------|-------|---------|
| 7,144,046    | B1 * | 12/2006 | Lape et al.        | ..... | 285/180 |
| D564,637     | S *  | 3/2008  | Brockington et al. | ..... | D23/263 |
| 2003/0071460 | A1 * | 4/2003  | Snyder et al.      | ..... | 285/340 |
| 2004/0046386 | A1 * | 3/2004  | Chien et al.       | ..... | 285/276 |
| 2007/0007763 | A1 * | 1/2007  | Deaton             | ..... | 285/179 |
| 2008/0129042 | A1 * | 6/2008  | Weigel et al.      | ..... | 285/92  |

**OTHER PUBLICATIONS**

Easy Slip 4-in-1 Sewer Adapter with Elbow (P/N 39144), Camco website (www.camco.net), Mar. 10, 2008.

Universal Sewer Adapter (P/N F02-3103), Valterra Website(www.valterra.com), Mar. 10, 2008.

Blueline Universal Elbow (P/N 1-0001), Prest-O-Fit Website (www.prestofit.com), Mar. 10, 2008.

\* cited by examiner

*Primary Examiner*—Louis S Zarfaz

*Assistant Examiner*—Eric L Goodman

(57) **CLAIM**

The ornamental design for a swivel elbow sewer fitting, as shown and described.

**DESCRIPTION**

FIG. 1 is a left, front top perspective view of a swivel elbow sewer fitting embodying our design;

FIG. 2 is a left side elevational view thereof;

FIG. 3 is a right side elevational view thereof;

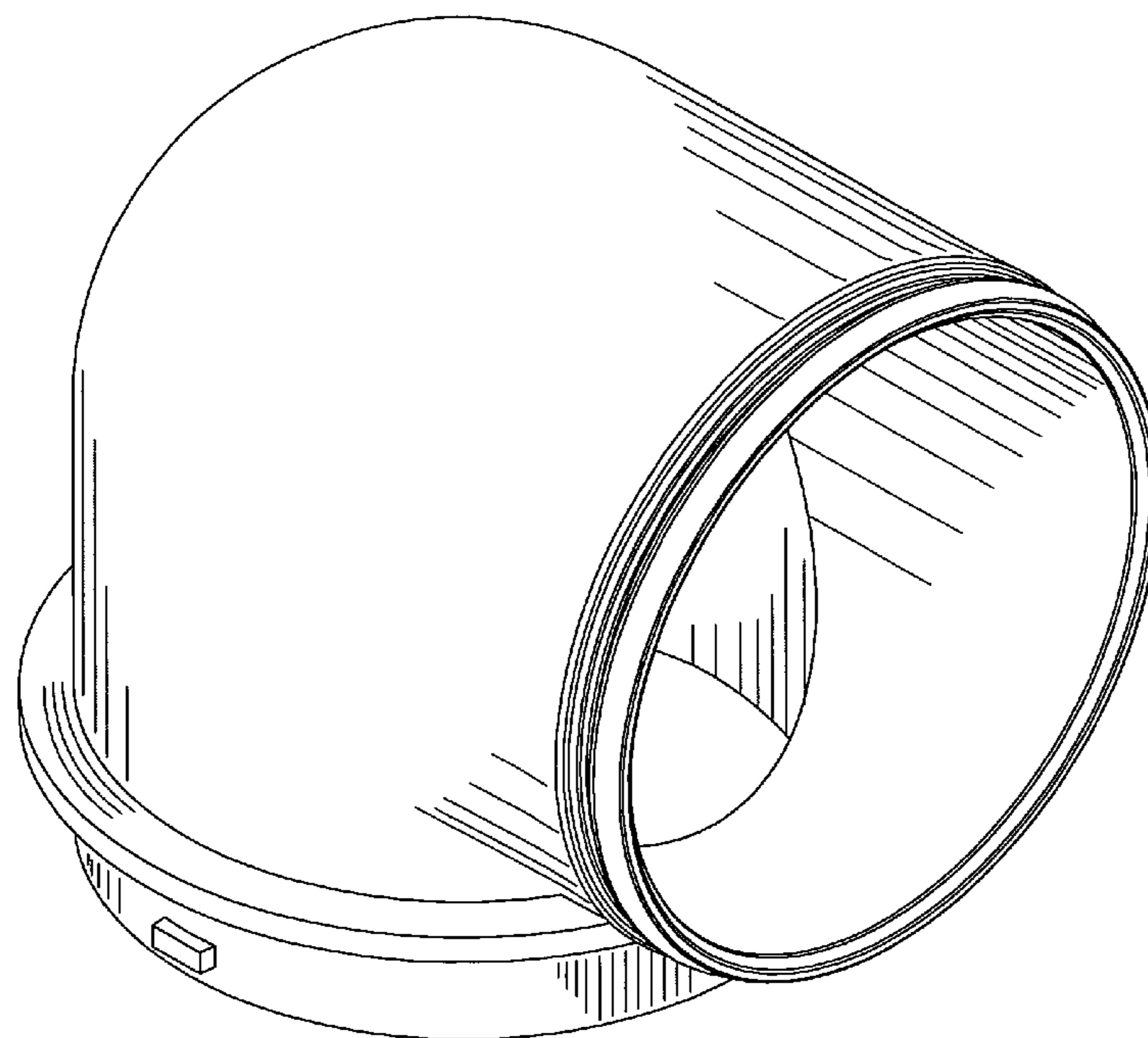
FIG. 4 is a front side elevational view thereof;

FIG. 5 is a rear side elevational view thereof;

FIG. 6 is a top plan view thereof; and,

FIG. 7 is a bottom plan view thereof.

**1 Claim, 4 Drawing Sheets**



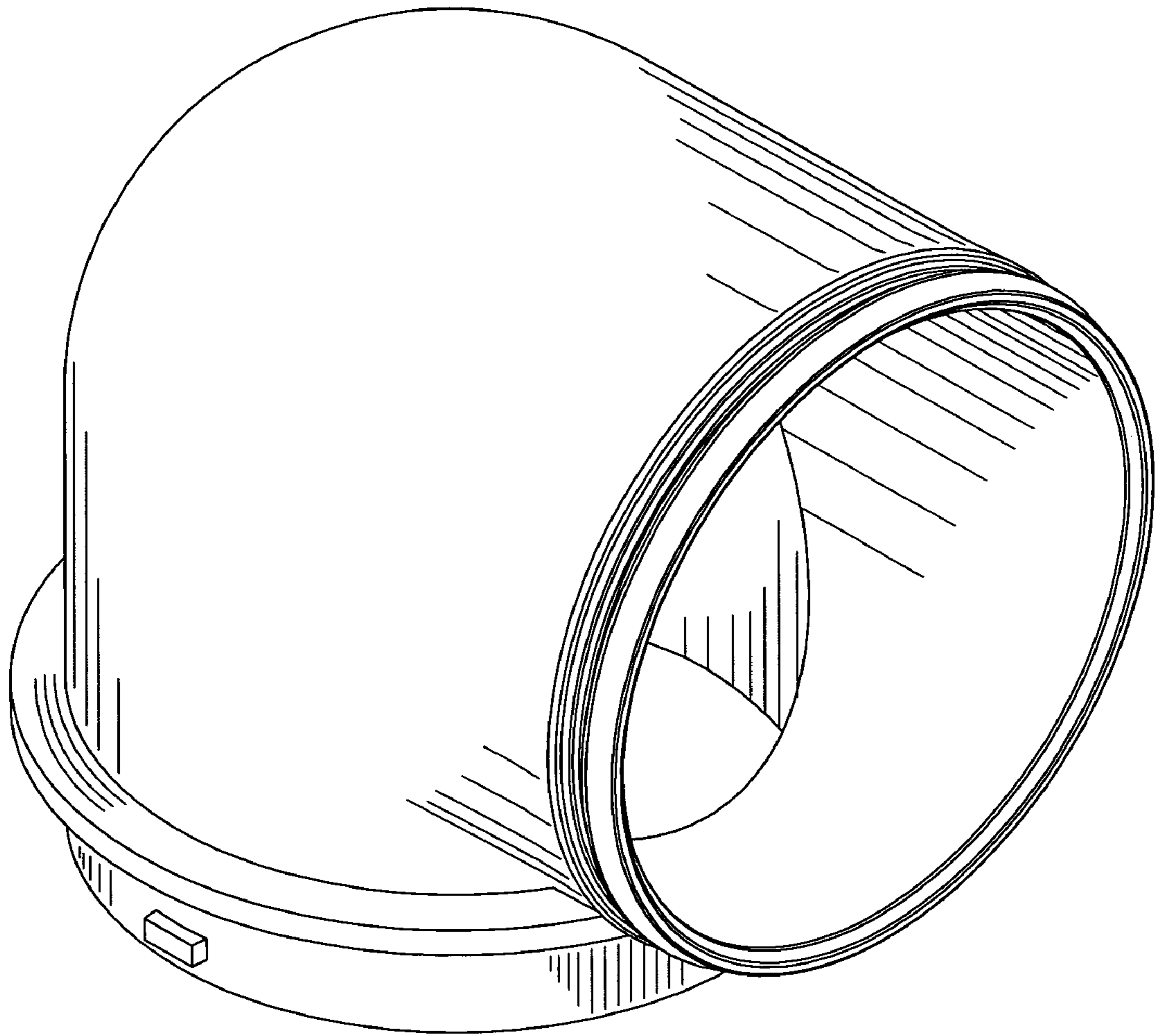


FIG. 1

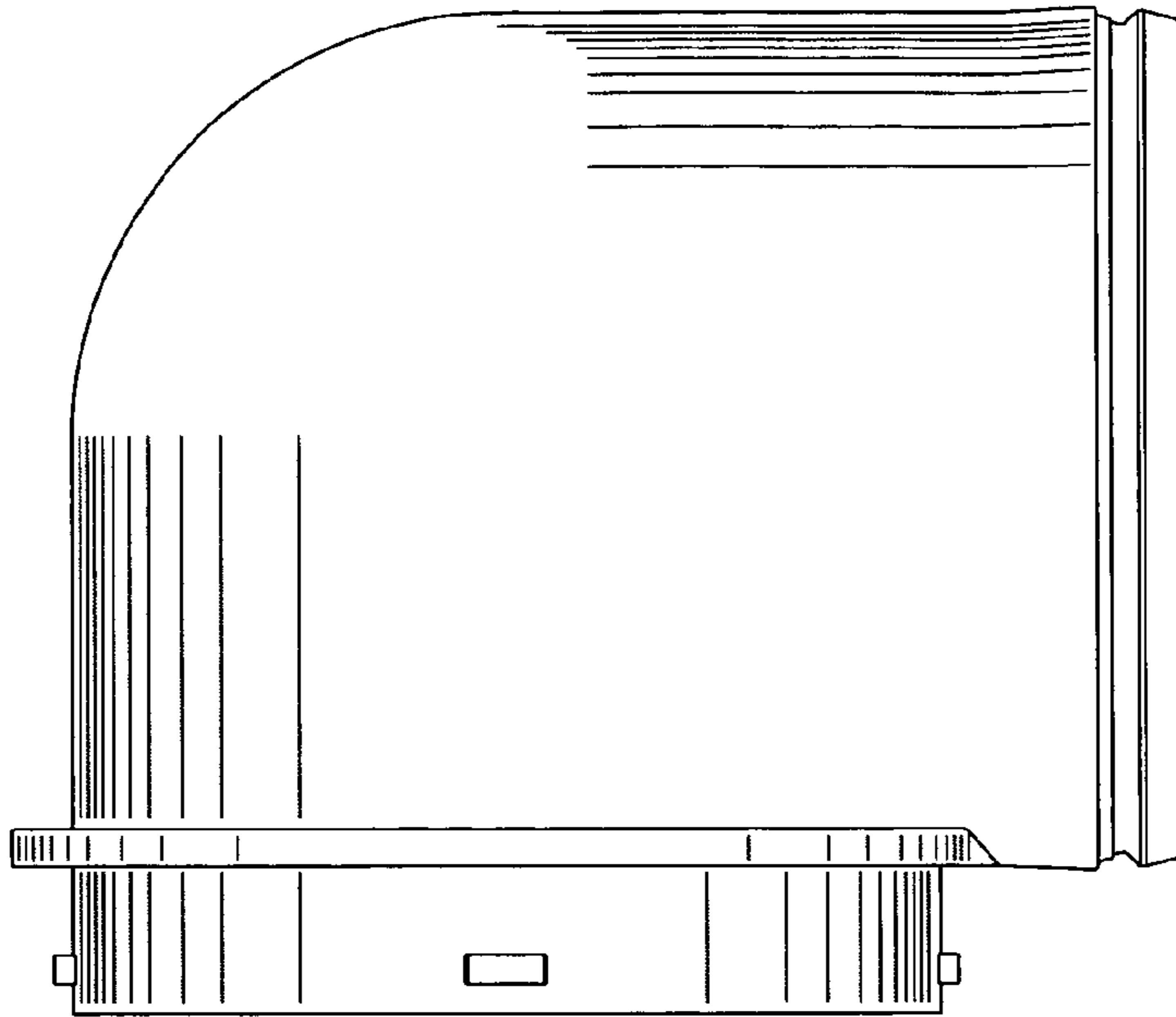


FIG. 2

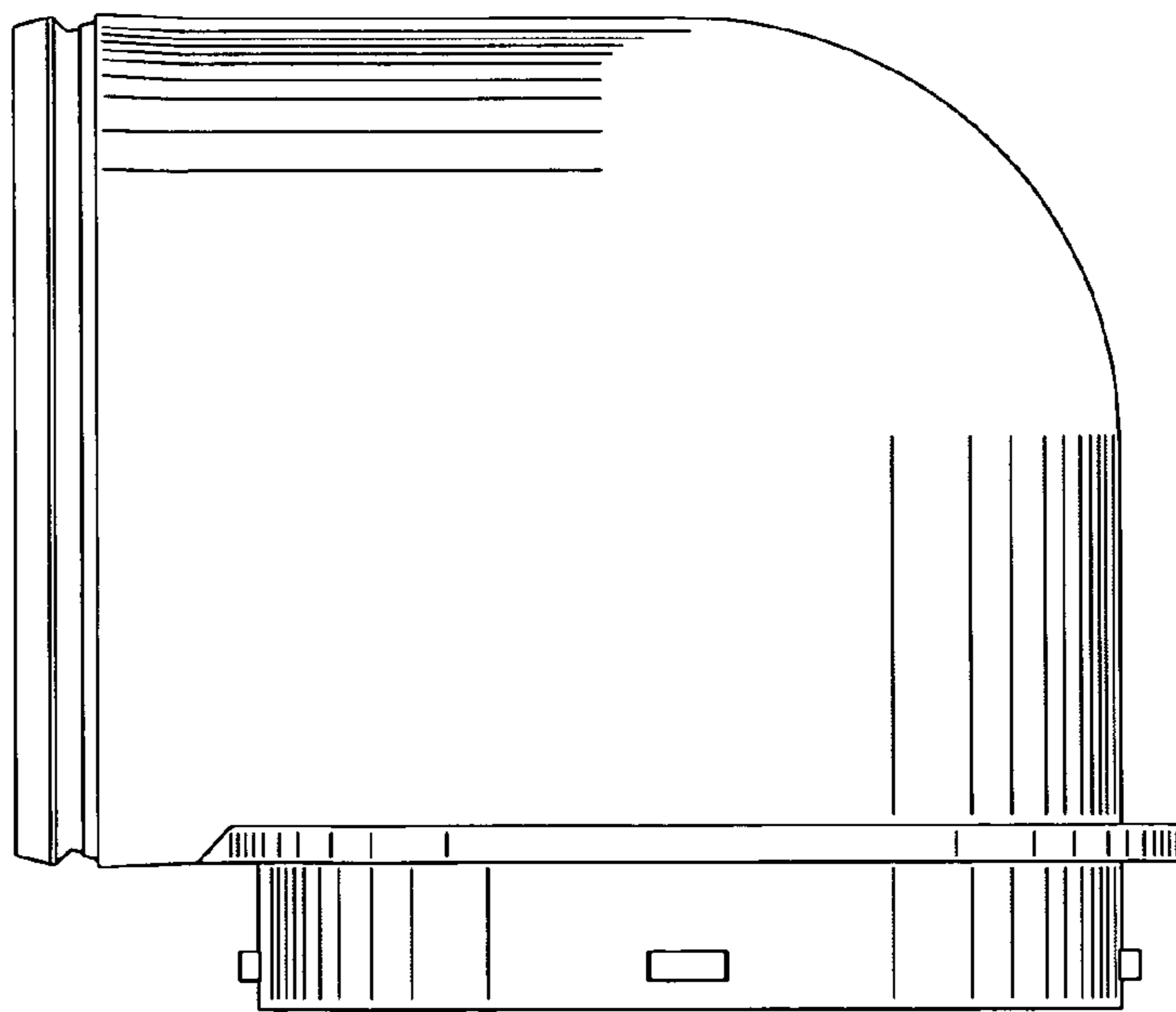


FIG. 3

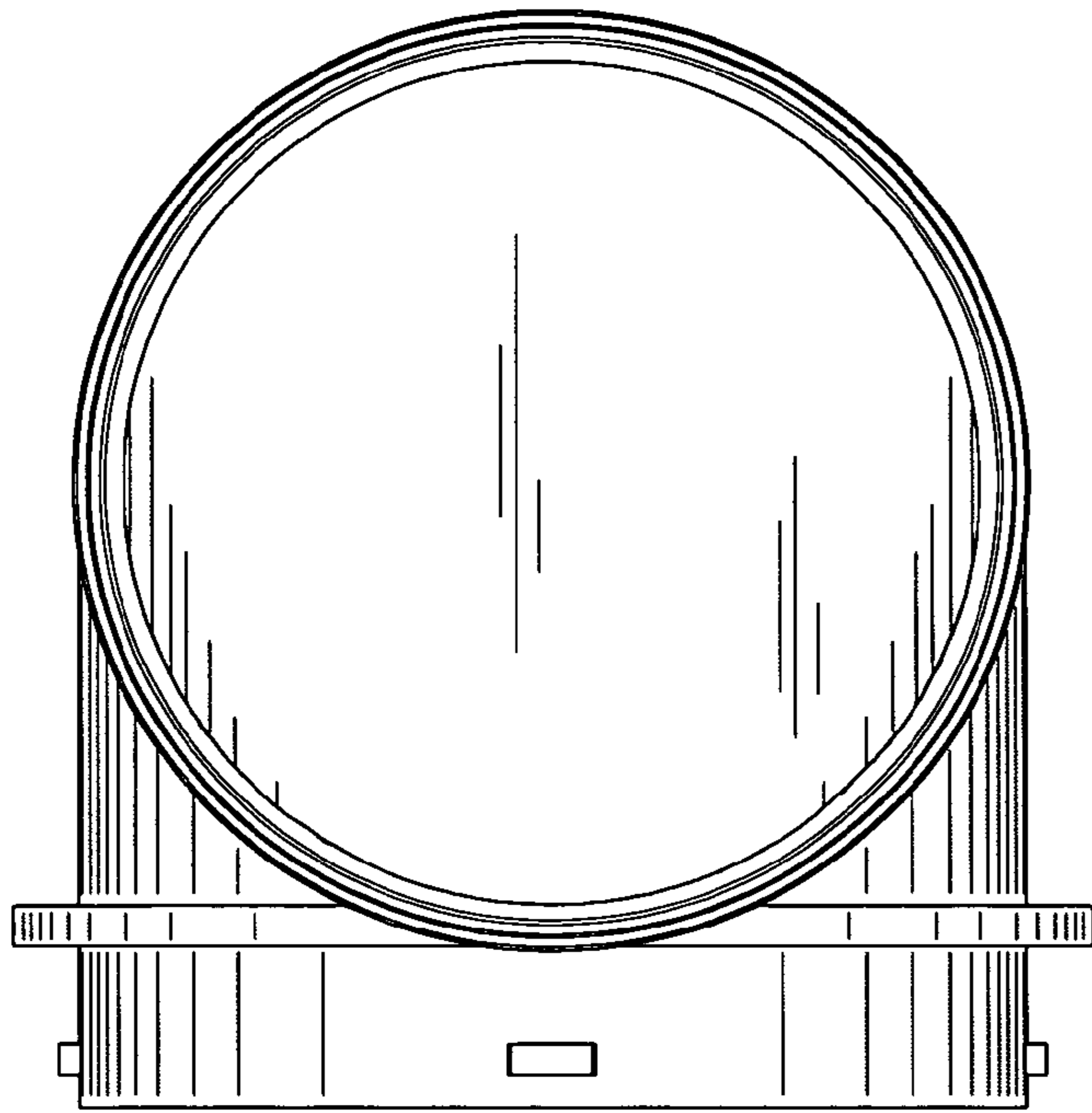


FIG. 4

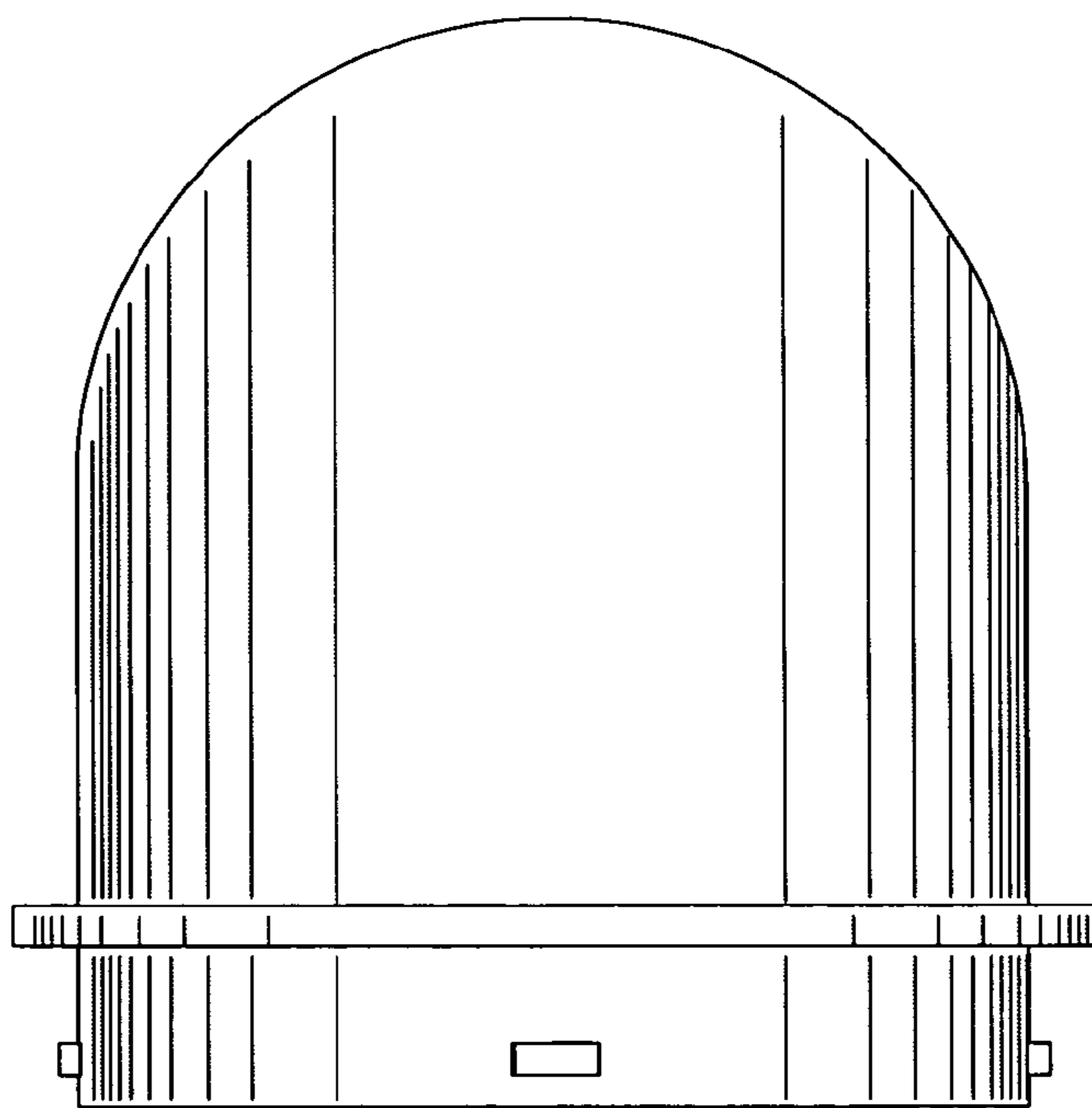


FIG. 5

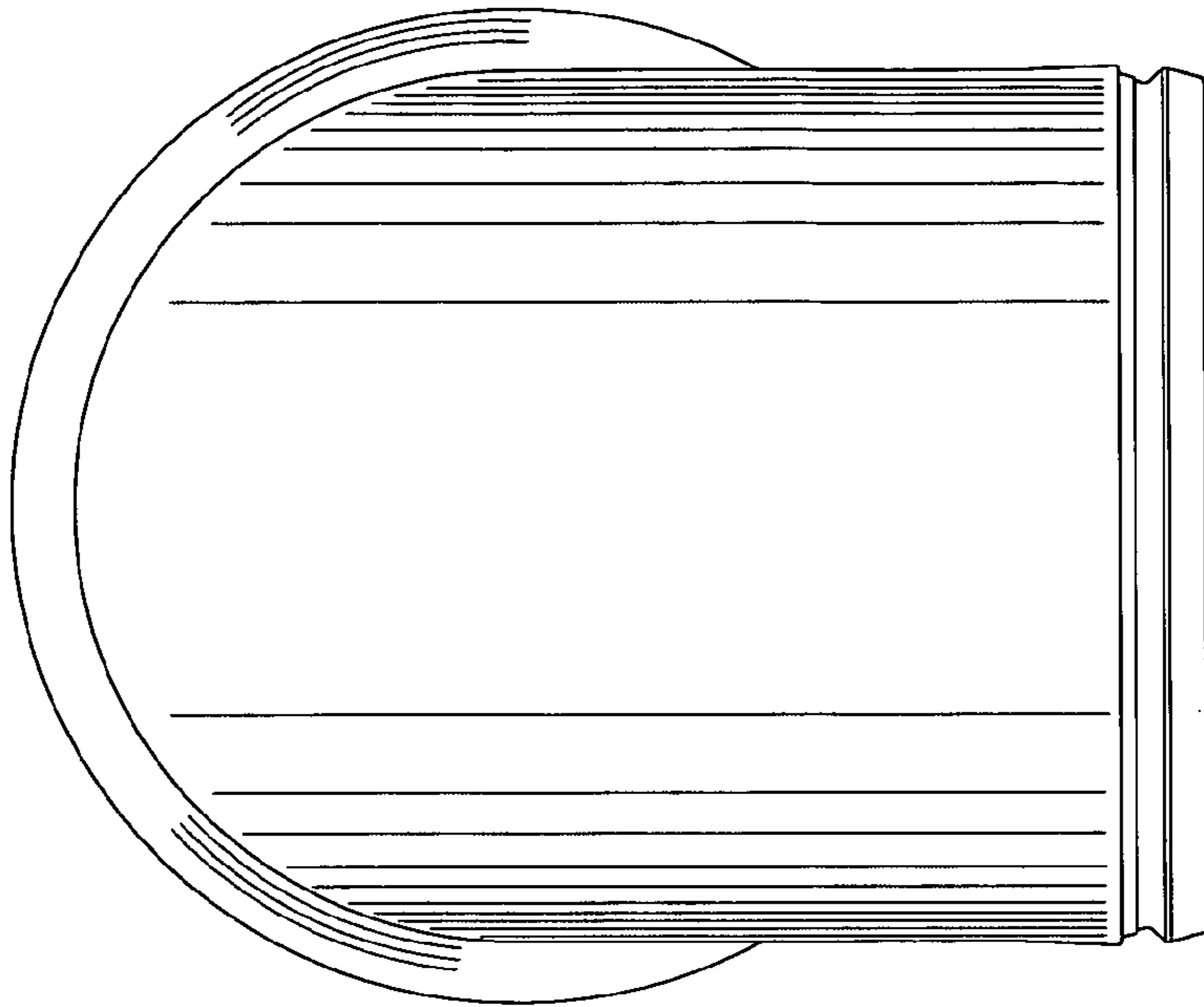


FIG. 6

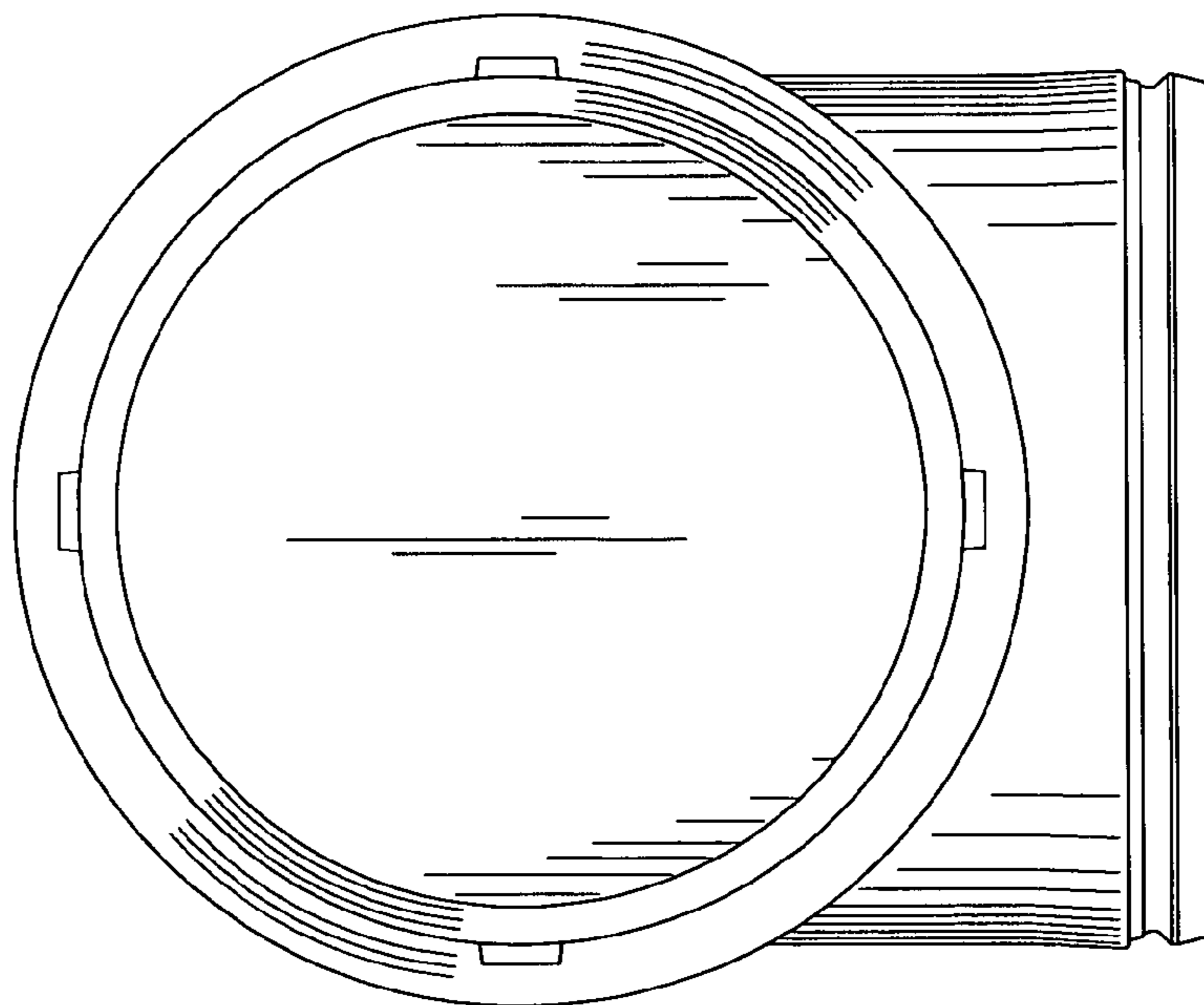


FIG. 7