



US00D586430S

(12) **United States Design Patent**
Shieh

(10) **Patent No.:** **US D586,430 S**
(45) **Date of Patent:** **** Feb. 10, 2009**

(54) **SHOWER FAUCET**

D470,225 S * 2/2003 Xie D23/242

(75) Inventor: **Ming-Dang Shieh**, Chang Hua Hsien (TW)

* cited by examiner

Primary Examiner—Robin V Webster

(73) Assignee: **Horng Lai Industrial Co., Ltd.**, Chang Hua Hsien (TW)

(74) *Attorney, Agent, or Firm*—Alan Kamrath; Kamrath & Associates PA

(**) Term: **14 Years**

(57) **CLAIM**

(21) Appl. No.: **29/303,552**

The ornamental design for a shower faucet, as shown and described.

(22) Filed: **Feb. 12, 2008**

DESCRIPTION

(51) **LOC (9) Cl.** **23-01**

FIG. 1 is a perspective view of a shower faucet showing my design;

(52) **U.S. Cl.** **D23/242; D23/241**

FIG. 2 is a front elevational view thereof;

(58) **Field of Classification Search** D23/238, D23/241–242, 243, 245, 252, 255; 4/675–678; 137/615, 801

FIG. 3 is a rear elevational view thereof;

See application file for complete search history.

FIG. 4 is a left side elevational view thereof;

FIG. 5 is a right side elevational view thereof;

(56) **References Cited**

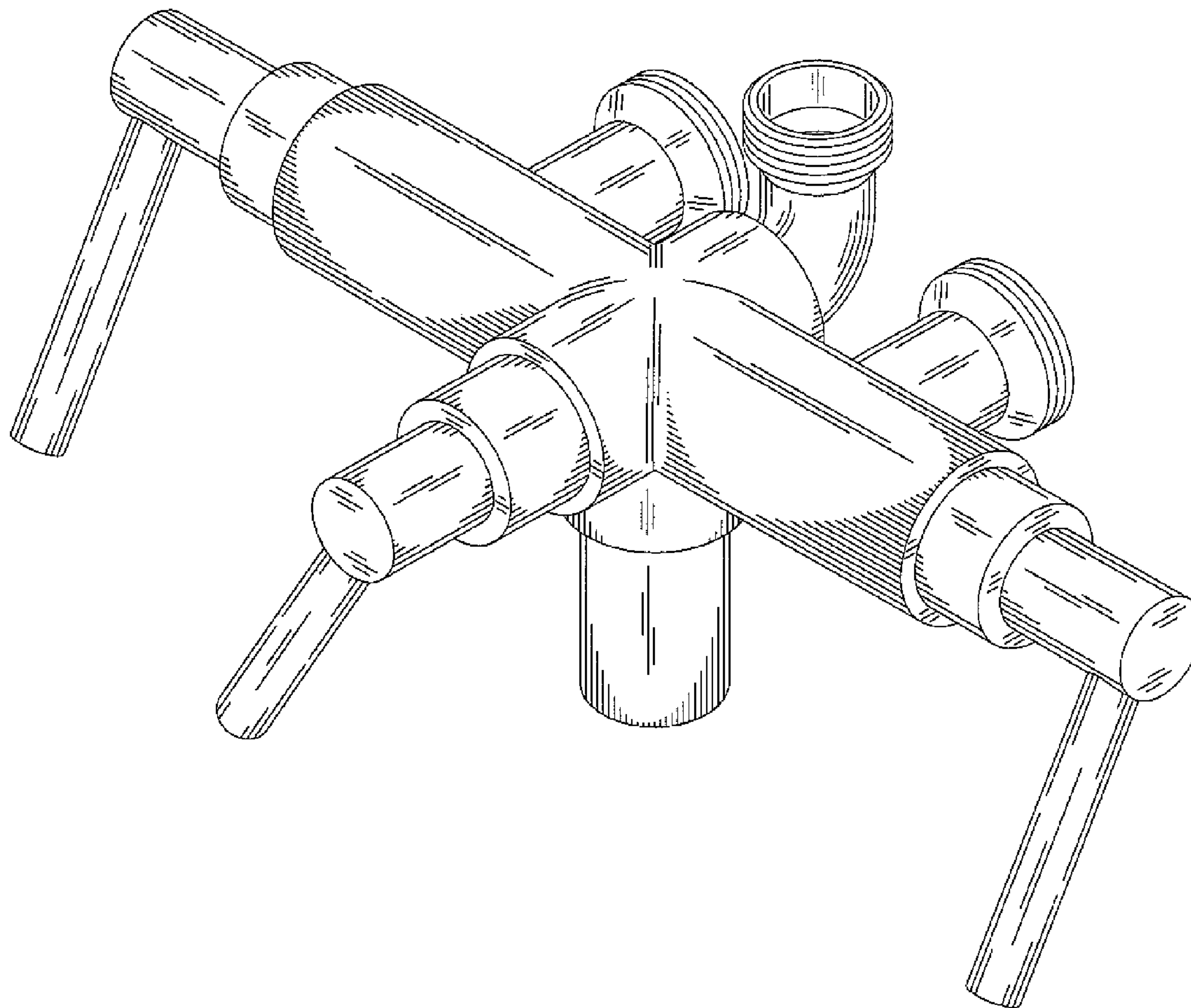
FIG. 6 is a top plan view thereof; and,

FIG. 7 is a bottom plan view thereof.

U.S. PATENT DOCUMENTS

D62,740 S * 7/1923 Muend D23/243
D72,505 S * 4/1927 Van Eweyk D23/243

1 Claim, 6 Drawing Sheets



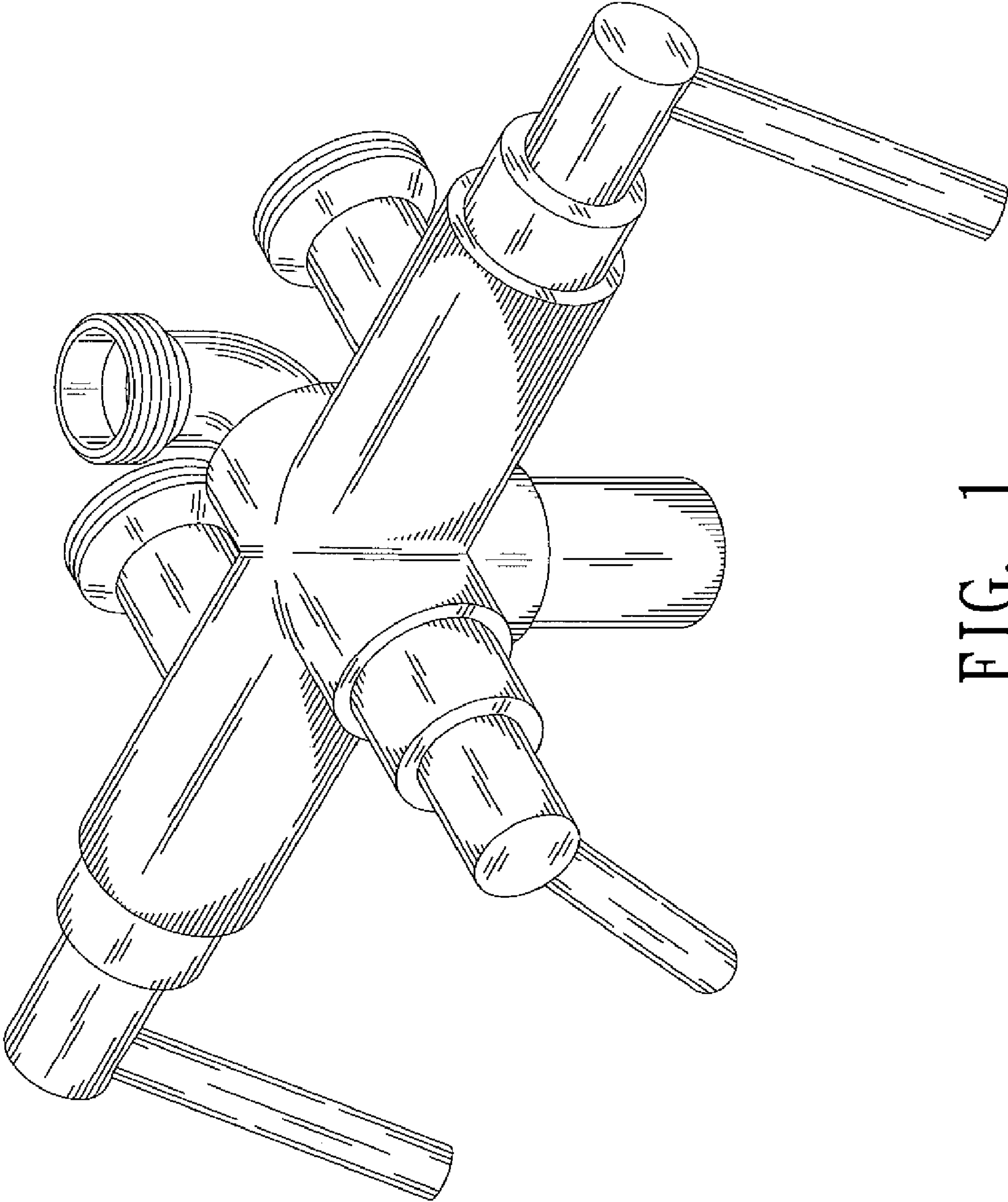


FIG. 1

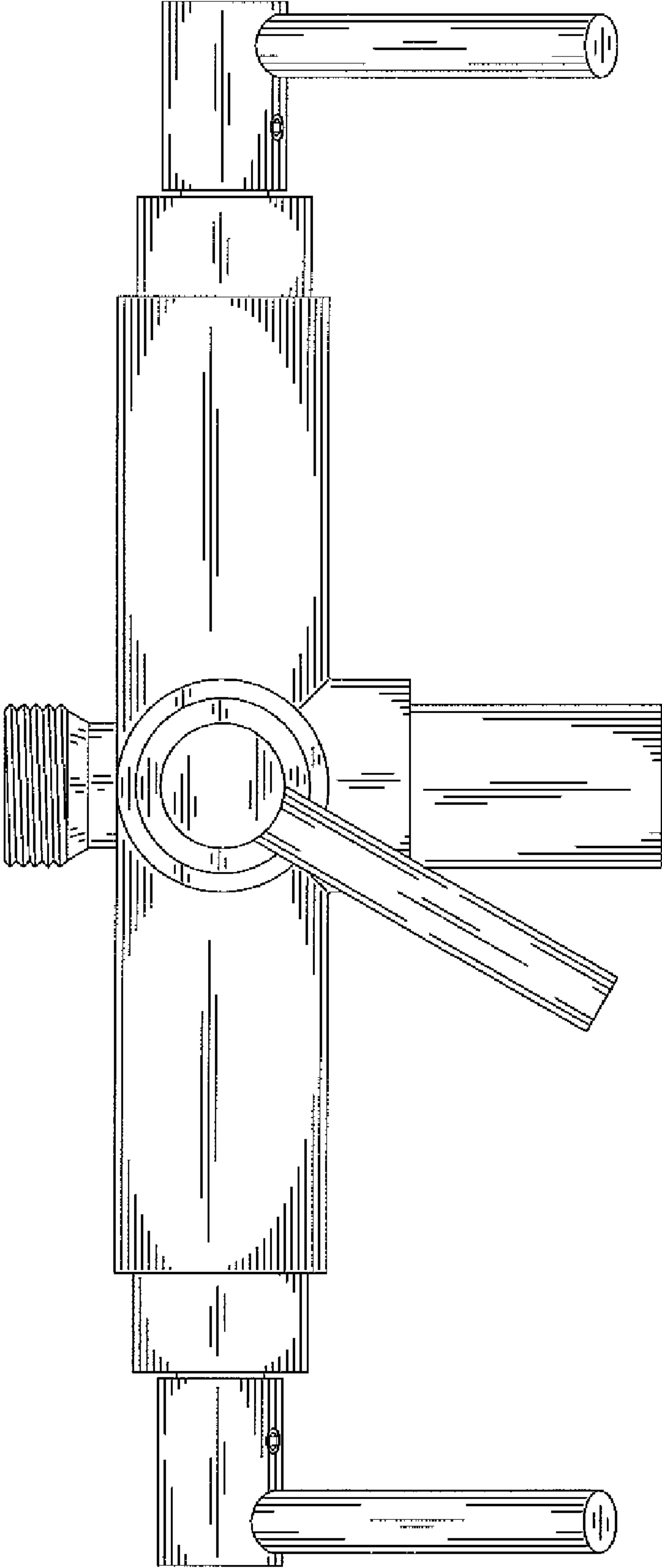


FIG. 2

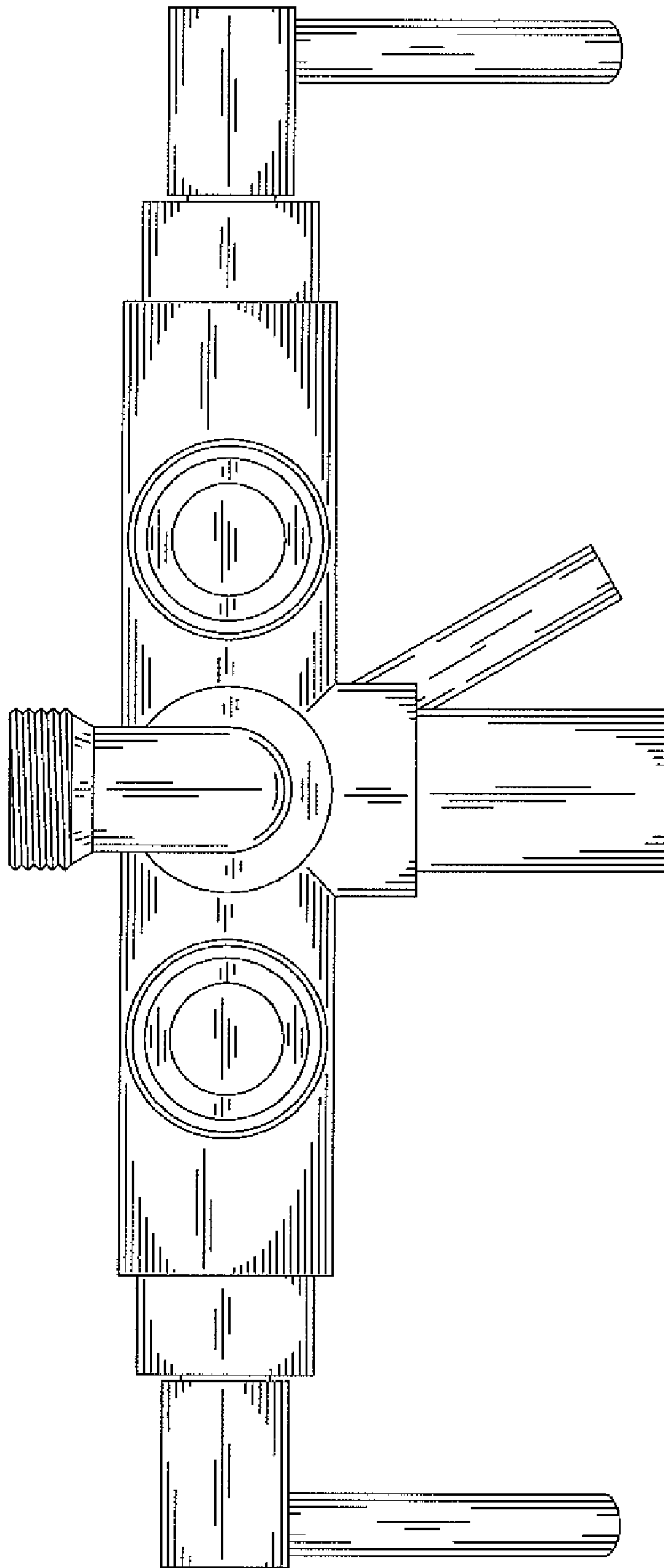


FIG. 3

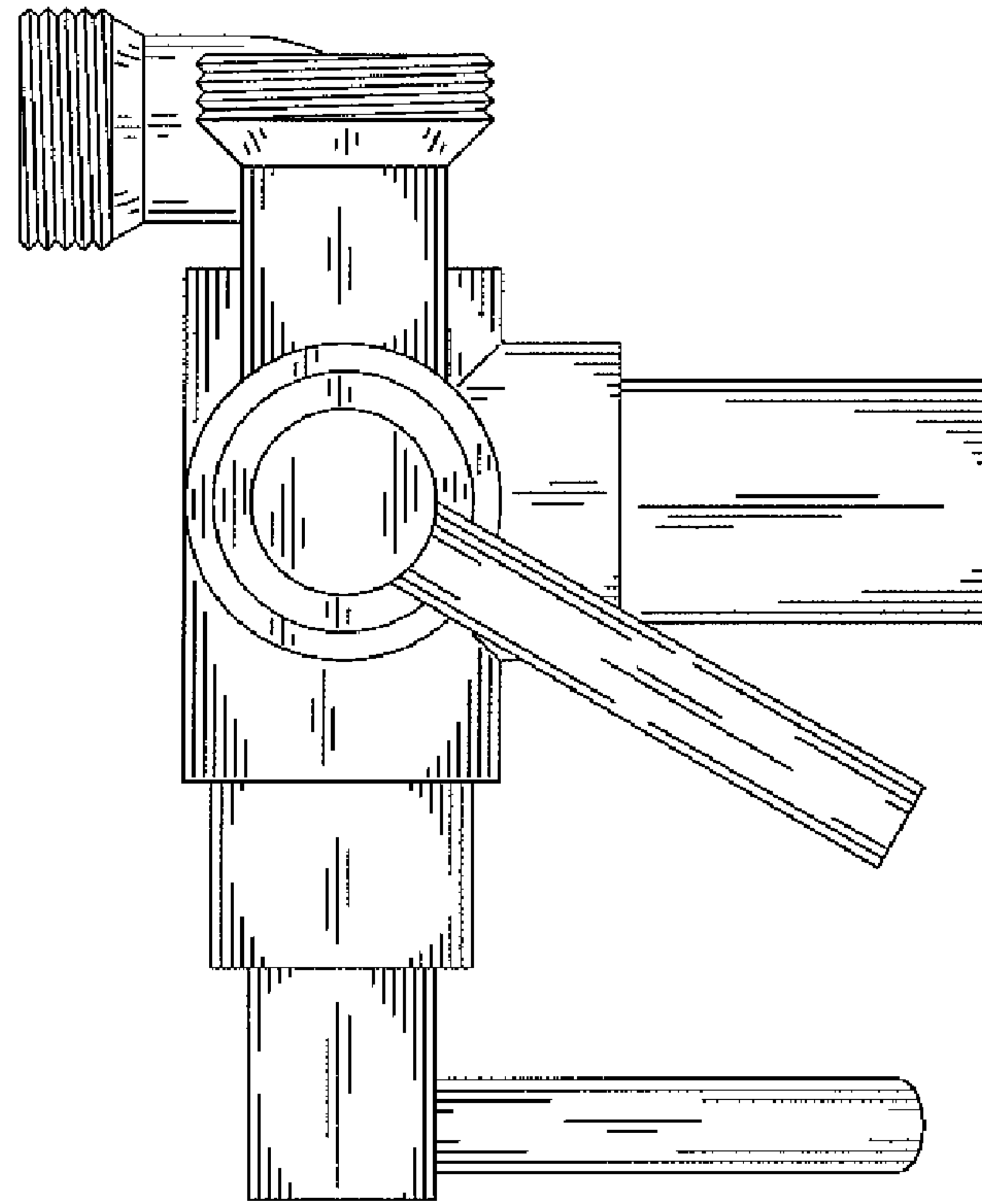


FIG. 5

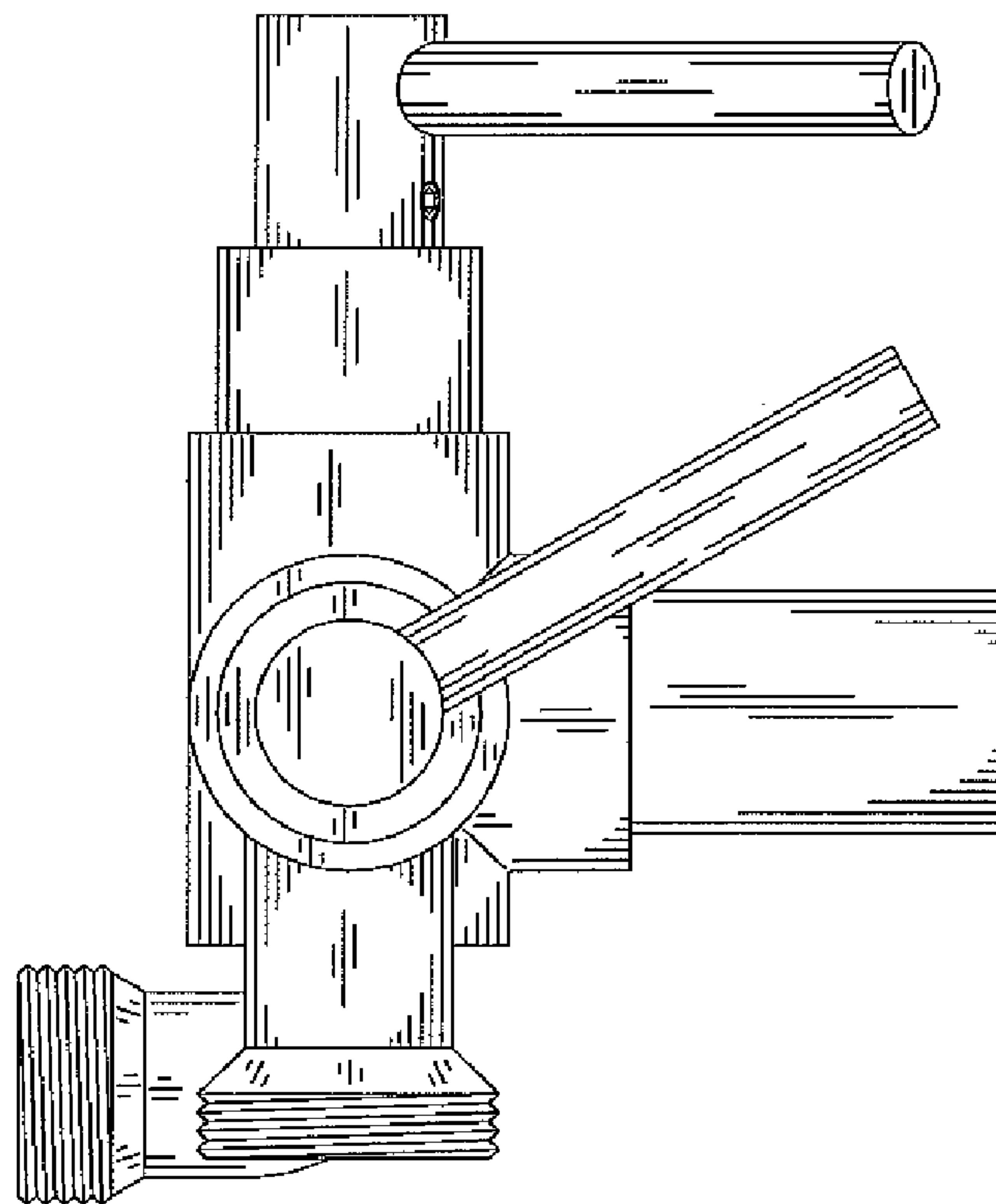


FIG. 4

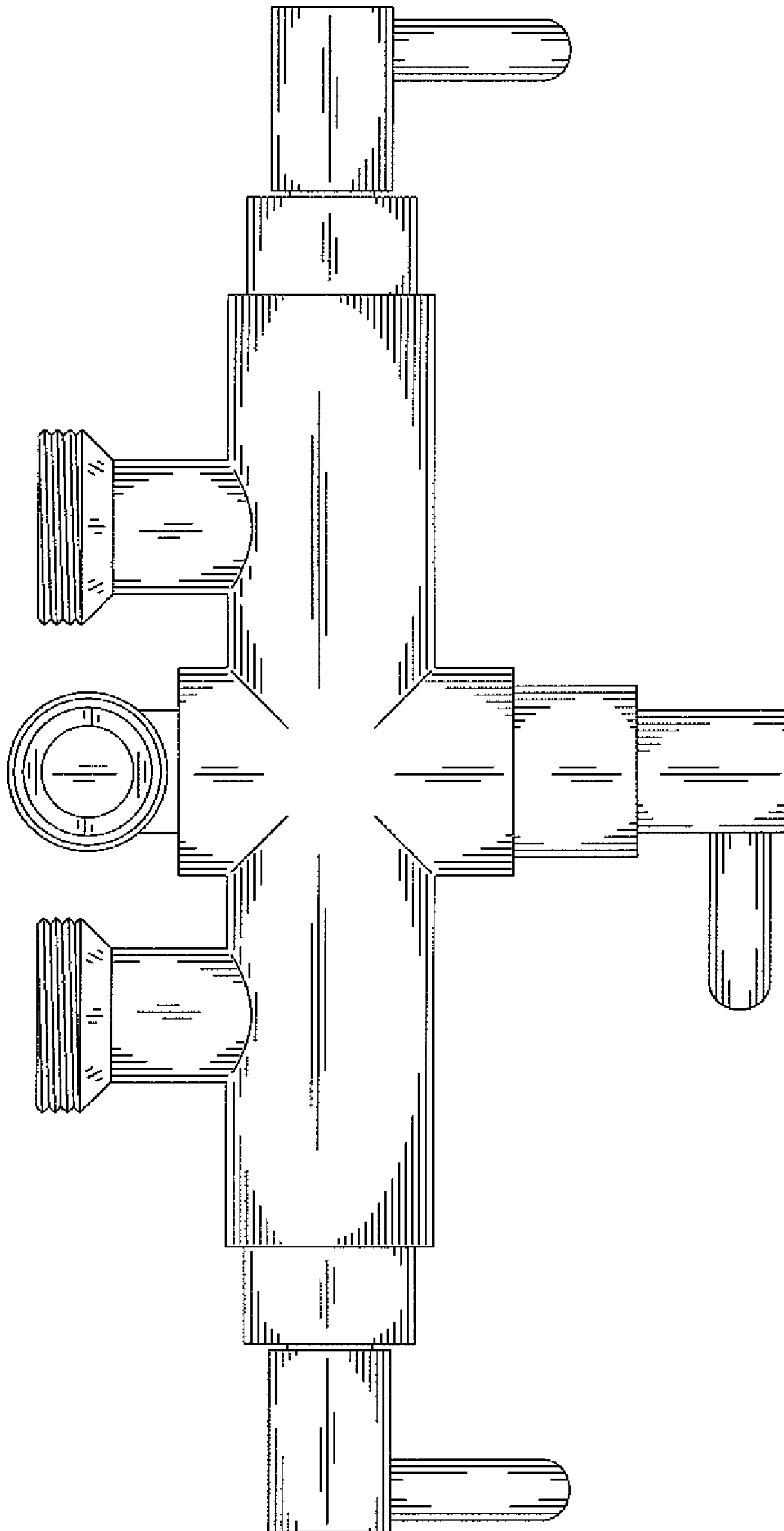


FIG. 6

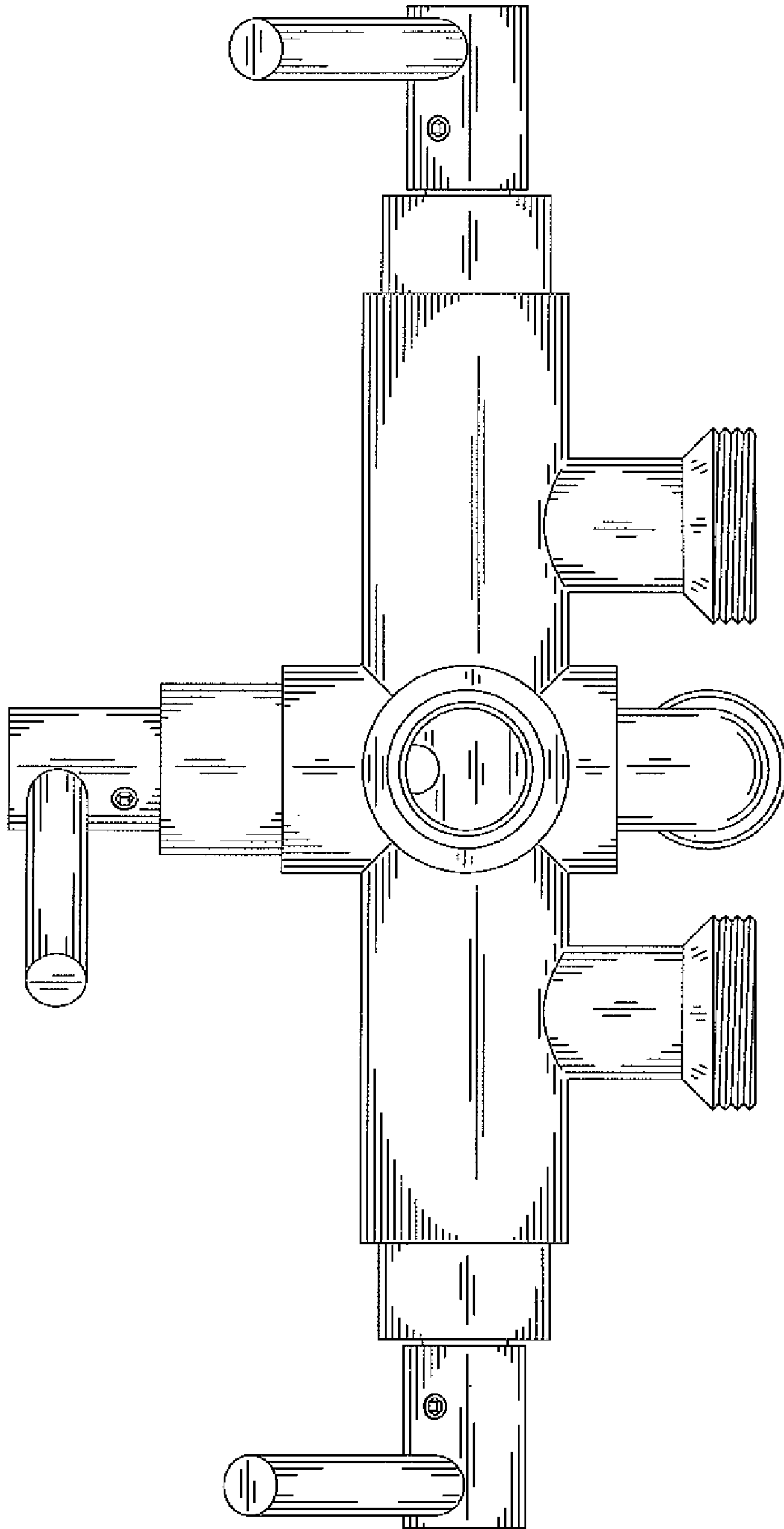


FIG. 7