



US00D586428S

(12) **United States Design Patent**
Carlsson et al.

(10) **Patent No.:** **US D586,428 S**

(45) **Date of Patent:** **** Feb. 10, 2009**

(54) **FAUCET**

(75) Inventors: **Per Carlsson**, Vårgårda (SE); **Carl-Olof Redin**, Åstol (SE)

(73) Assignee: **Villeroy & Boeh Gustavsberg AB**

(**) Term: **14 Years**

(21) Appl. No.: **29/281,314**

(22) Filed: **Jun. 20, 2007**

(51) **LOC (9) Cl.** **23-01**

(52) **U.S. Cl.** **D23/238**

(58) **Field of Classification Search** D23/200,
D23/238-257; D6/512, 546, 550; D8/300,
D8/307-308, 310-312, 321; 4/675-678;
137/801; 16/110.1, 441

See application file for complete search history.

(56) **References Cited**

U.S. PATENT DOCUMENTS

D227,761 S *	7/1973	Arbon	D23/238
D313,464 S *	1/1991	Di Maggio	D23/238
D324,904 S *	3/1992	Haug et al.	D23/238
D354,336 S *	1/1995	Delabie et al.	D23/238
D360,678 S *	7/1995	Mine	D23/238
D417,906 S *	12/1999	Mullenmeister	D23/238
D479,581 S *	9/2003	Haug et al.	D23/238

D486,560 S *	2/2004	Spangler	D23/238
D531,699 S *	11/2006	Haug et al.	D23/238
D555,770 S *	11/2007	Belisle	D23/238

* cited by examiner

Primary Examiner—Robert A. Delehanty

Assistant Examiner—Mark Cavanna

(74) *Attorney, Agent, or Firm*—Marshall, Gerstein & Borun LLP

(57) **CLAIM**

The ornamental design for a faucet, as shown.

DESCRIPTION

FIG. 1 is an oblique side view of a faucet showing my new design;

FIG. 2 is an opposite-side oblique side view thereof;

FIG. 3 is a front elevational view thereof;

FIG. 4 is a side elevational view with the opposite side a mirror image thereof;

FIG. 5 is bottom view thereof; and,

FIG. 6 is a top view thereof.

The broken lines shown in the faucet spout are included for the purpose of illustrating a portion of the faucet set that forms no part of the claimed design.

1 Claim, 3 Drawing Sheets

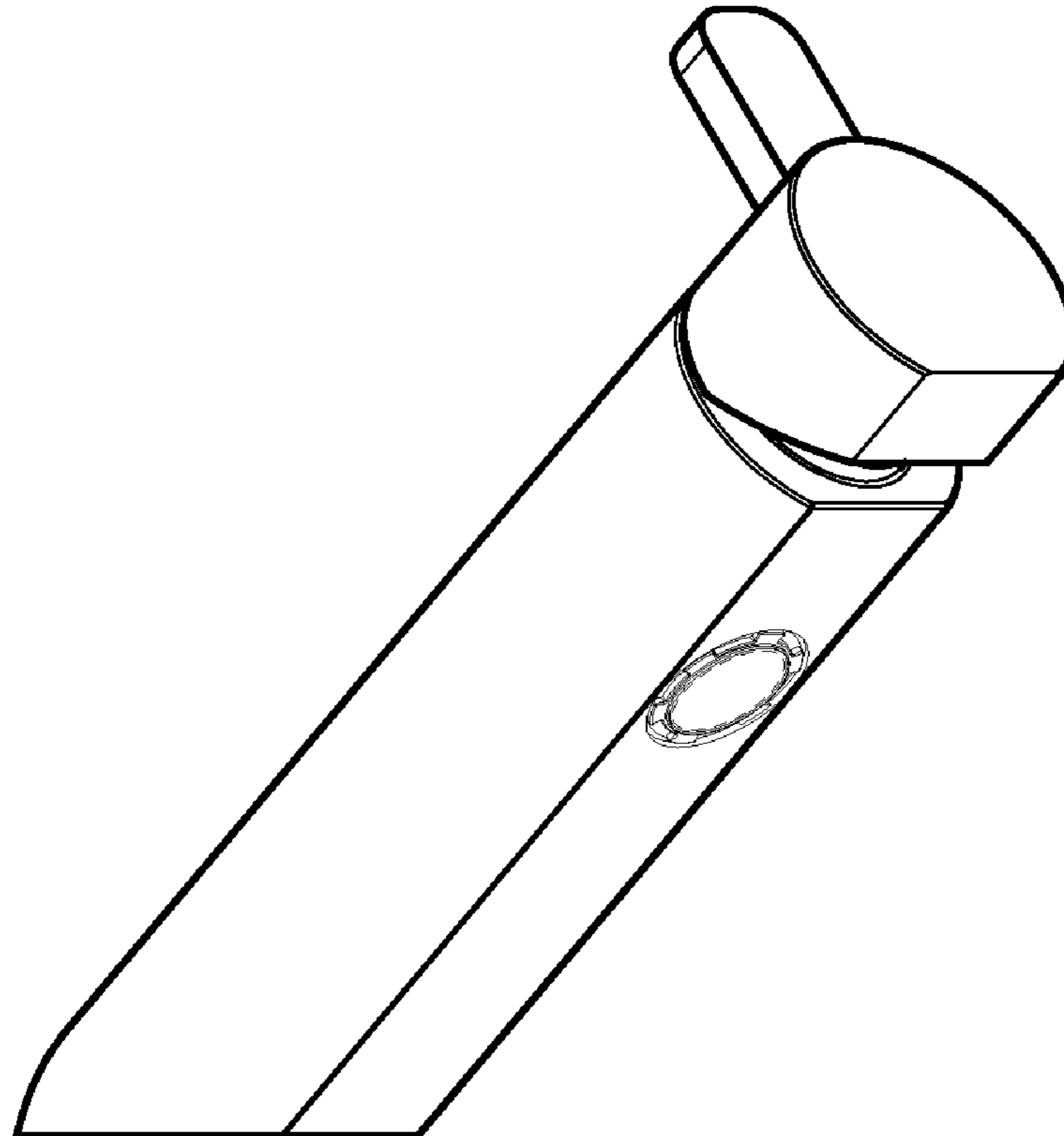


FIG. 1

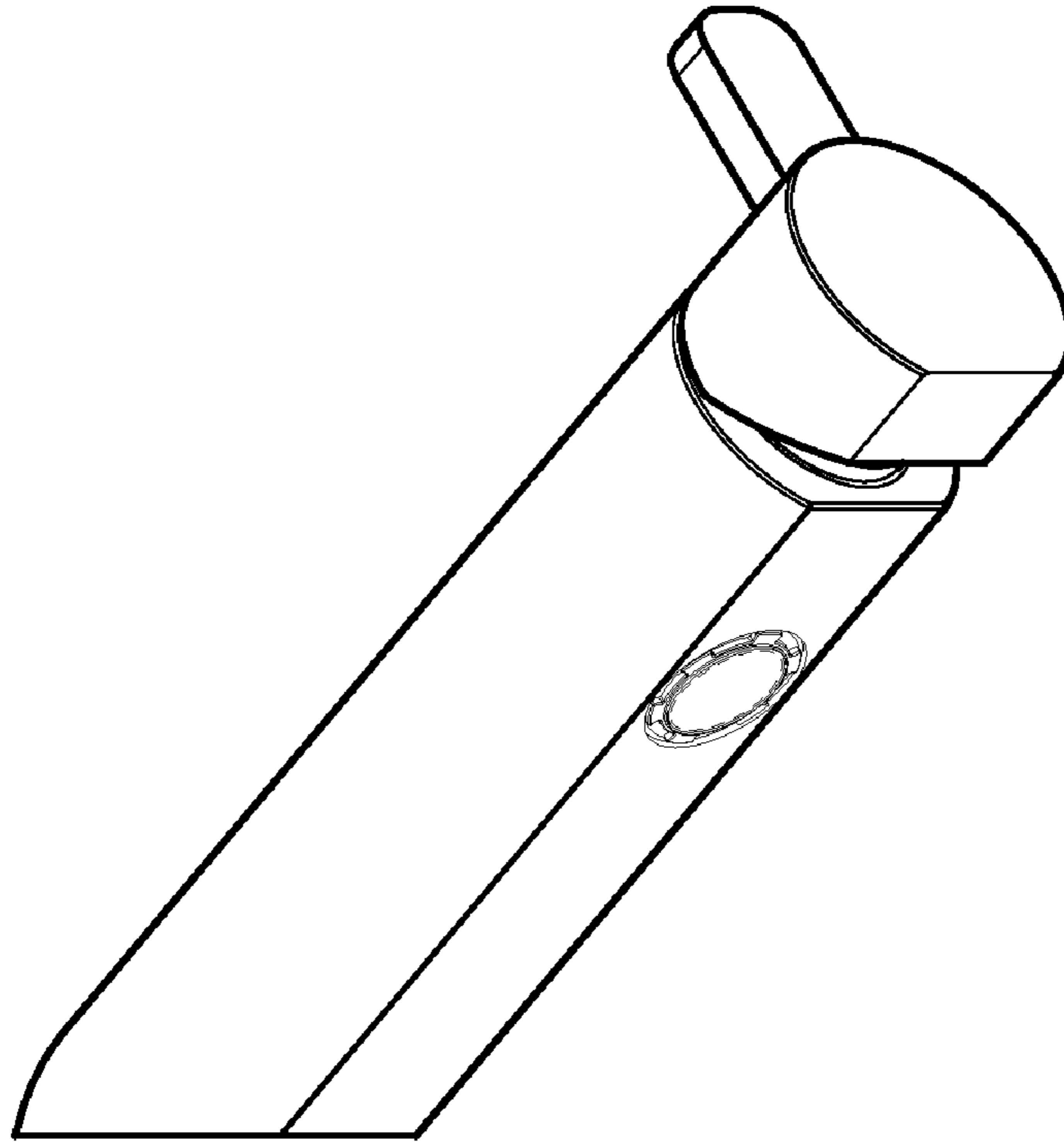


FIG. 2

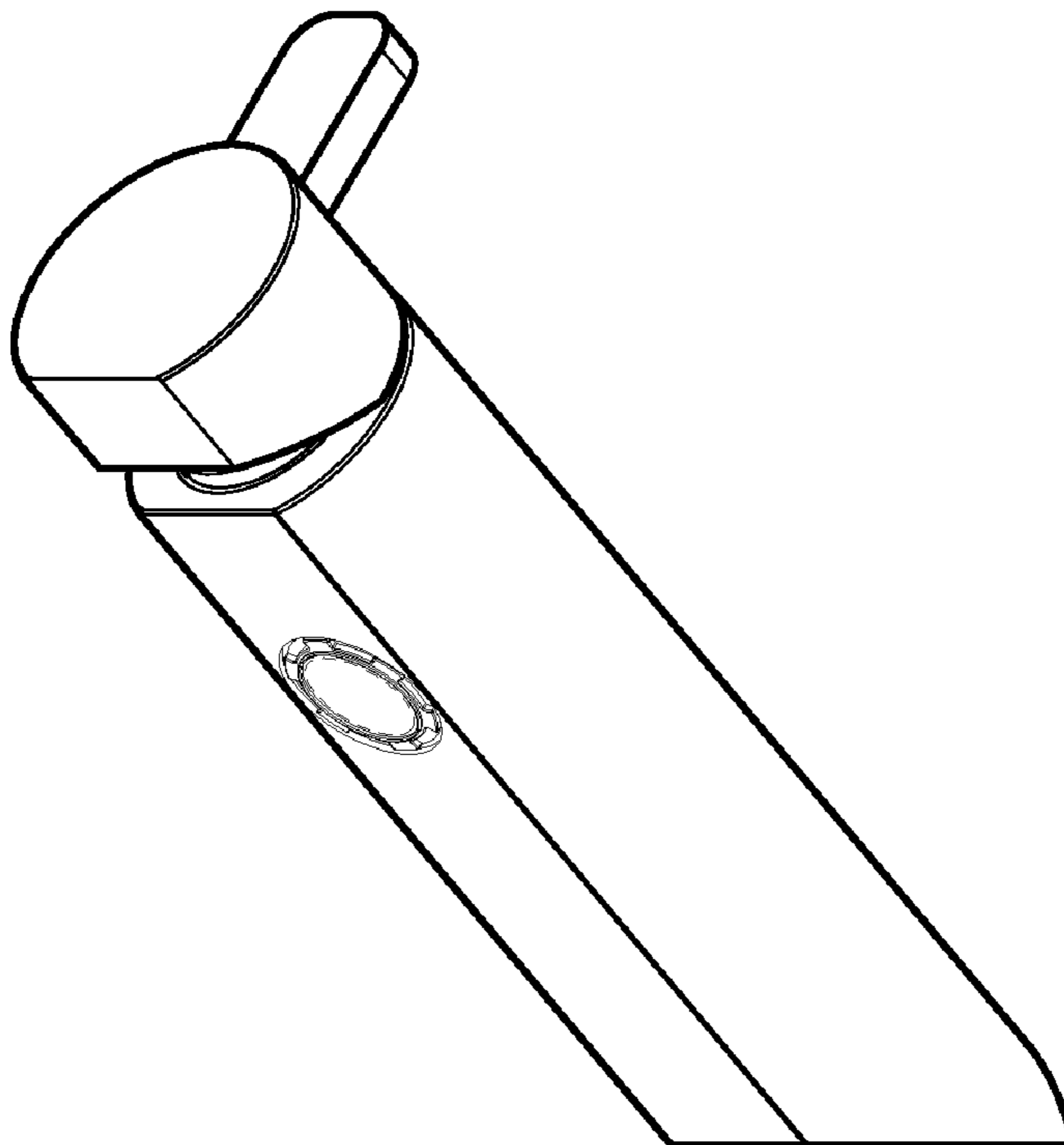


FIG. 3

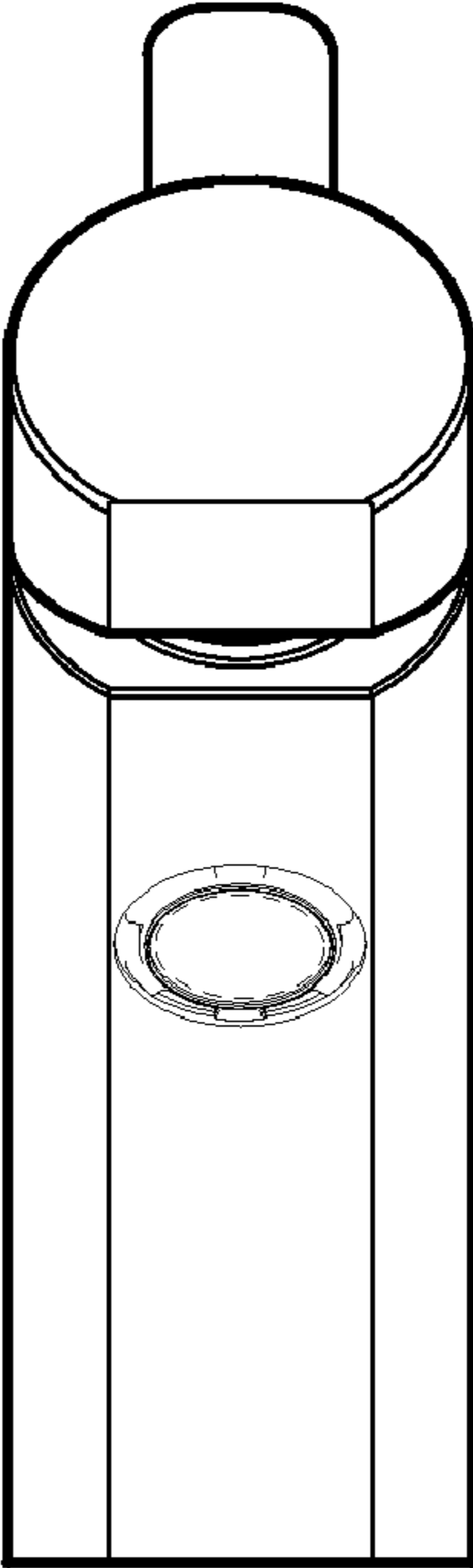


FIG. 4

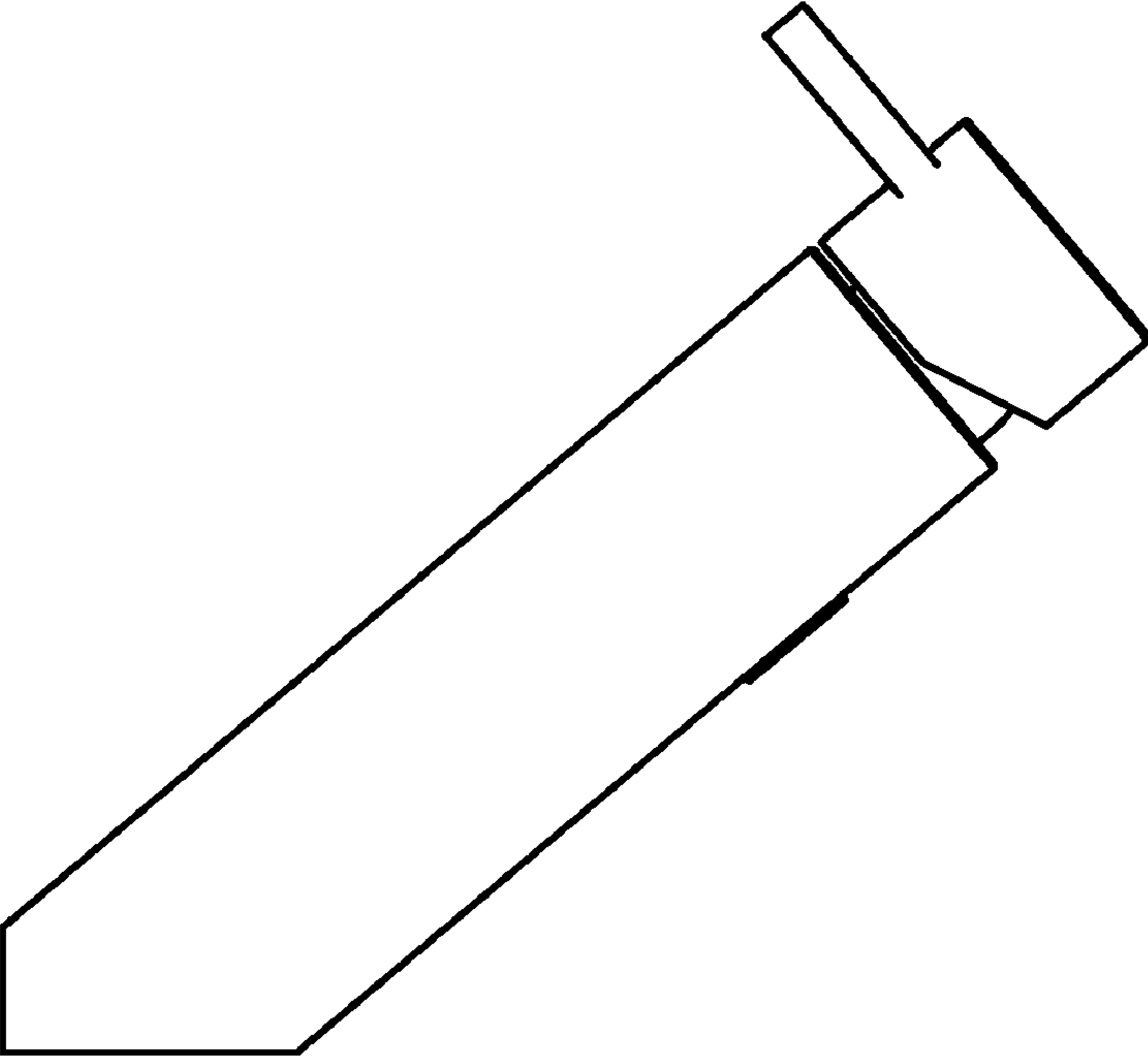


FIG. 5

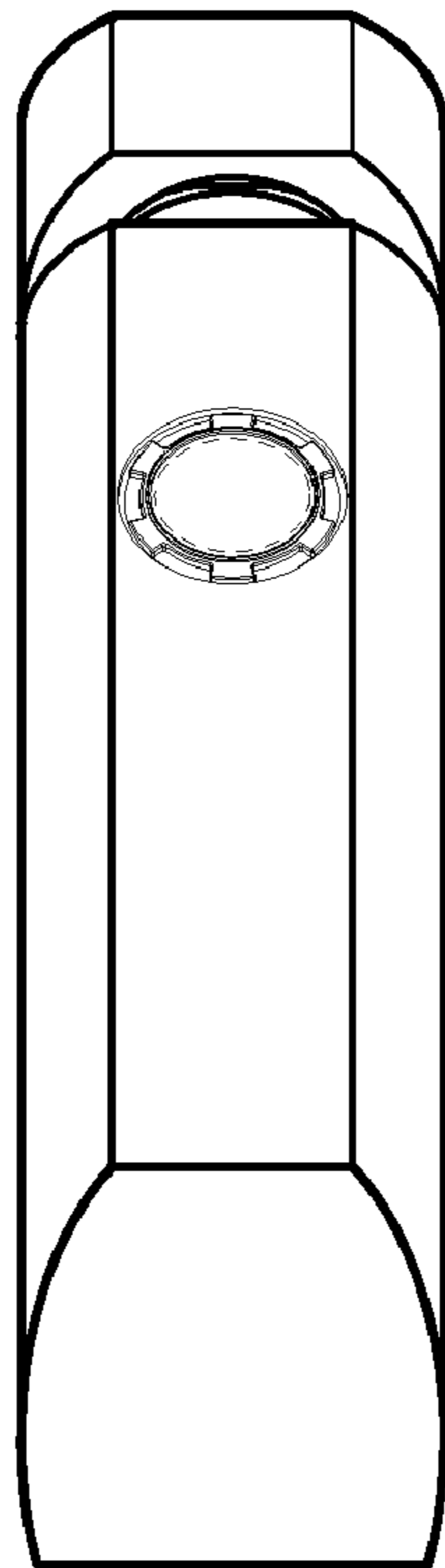


FIG. 6

