



US00D586422S

(12) **United States Design Patent**
Kobayashi

(10) **Patent No.:** **US D586,422 S**
(45) **Date of Patent:** **** Feb. 10, 2009**

(54) **FISHING REEL BODY**
(75) Inventor: **Mikiharu Kobayashi**, Higashikurume (JP)

JP 1053671 S 11/1999
JP 1053671-2 S 7/2000
JP 1250295 S 9/2005

(73) Assignee: **Daiwa Seiko, Inc.**, Tokyo (JP)

* cited by examiner

(**) Term: **14 Years**

Primary Examiner—Catherine R Oliver
(74) *Attorney, Agent, or Firm*—Sughrue Mion, PLLC

(21) Appl. No.: **29/305,134**

(57) **CLAIM**

(22) Filed: **Mar. 14, 2008**

The ornamental design for a fishing reel body, as shown.

(30) **Foreign Application Priority Data**

Oct. 30, 2007 (JP) 2007-029871

DESCRIPTION

(51) **LOC (9) Cl.** **22-05**

(52) **U.S. Cl.** **D22/140**

(58) **Field of Classification Search** D22/137–142;
43/20–24; 242/311, 318, 322, 390
See application file for complete search history.

FIG. 1 is a perspective view of the top, front and right side of a fishing reel body showing my new design;

FIG. 2 is a perspective view of the top, rear and left side thereof;

FIG. 3 is a front elevational view thereof;

FIG. 4 is a rear elevational view thereof;

FIG. 5 is a top plan view thereof;

FIG. 6 is a bottom plan view thereof;

FIG. 7 is a left side elevational view thereof; and,

FIG. 8 is a right side elevational view thereof.

(56) **References Cited**

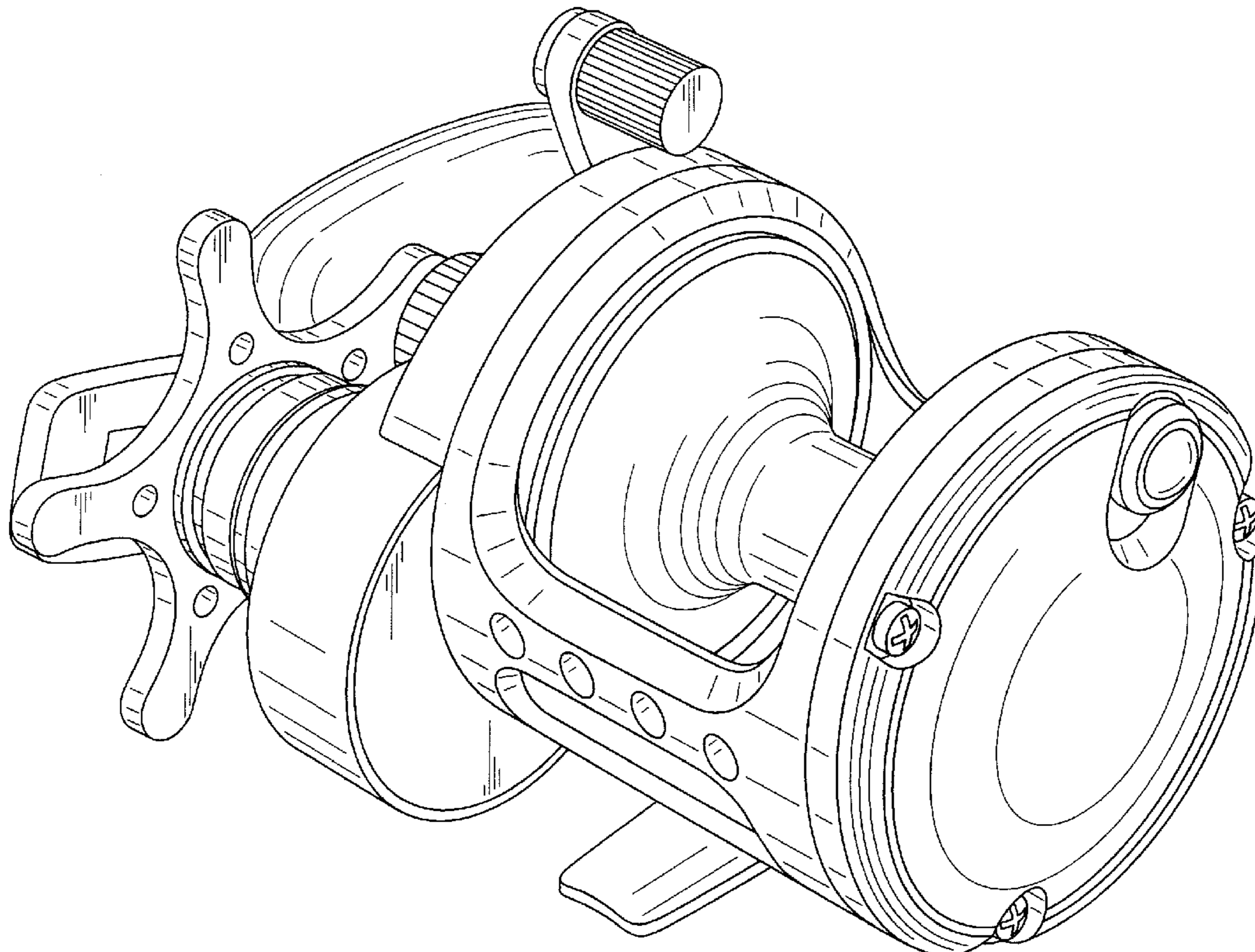
U.S. PATENT DOCUMENTS

D451,577 S * 12/2001 Duarte D22/140
D491,249 S * 6/2004 Burke et al. D22/140
D502,754 S * 3/2005 Tao D22/140

FOREIGN PATENT DOCUMENTS

JP 1053671-1 S 11/1999

1 Claim, 8 Drawing Sheets



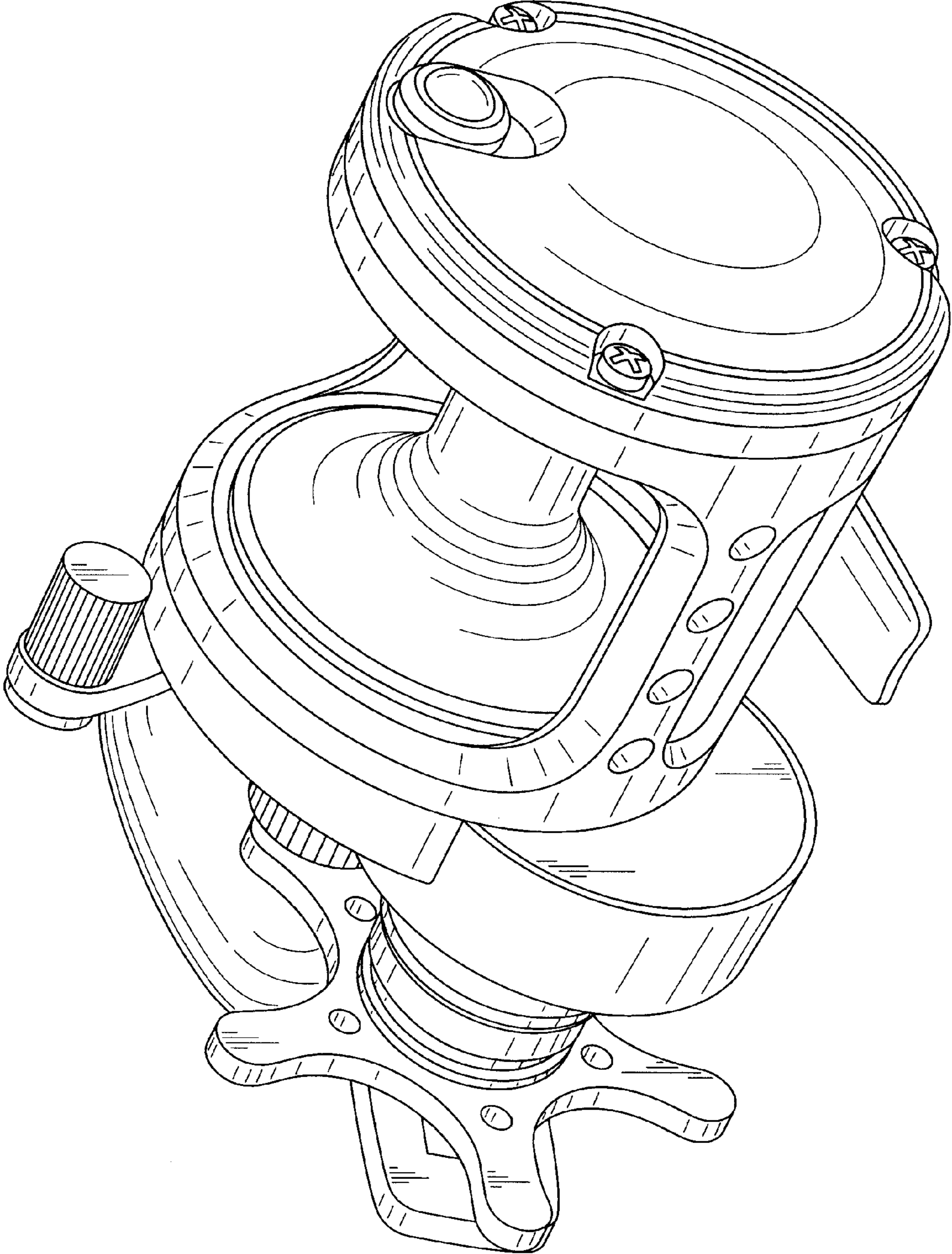


FIG. 1

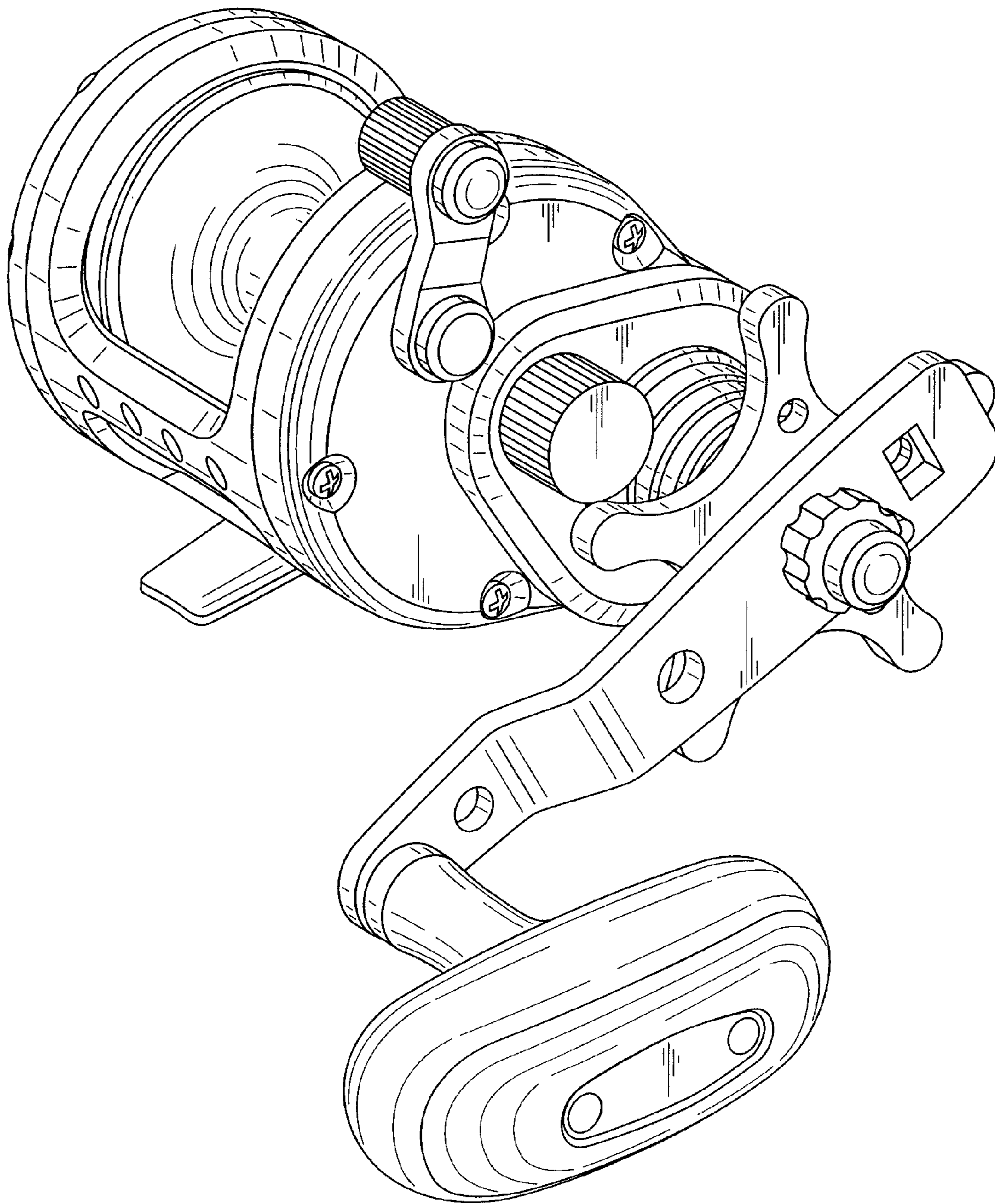


FIG. 2

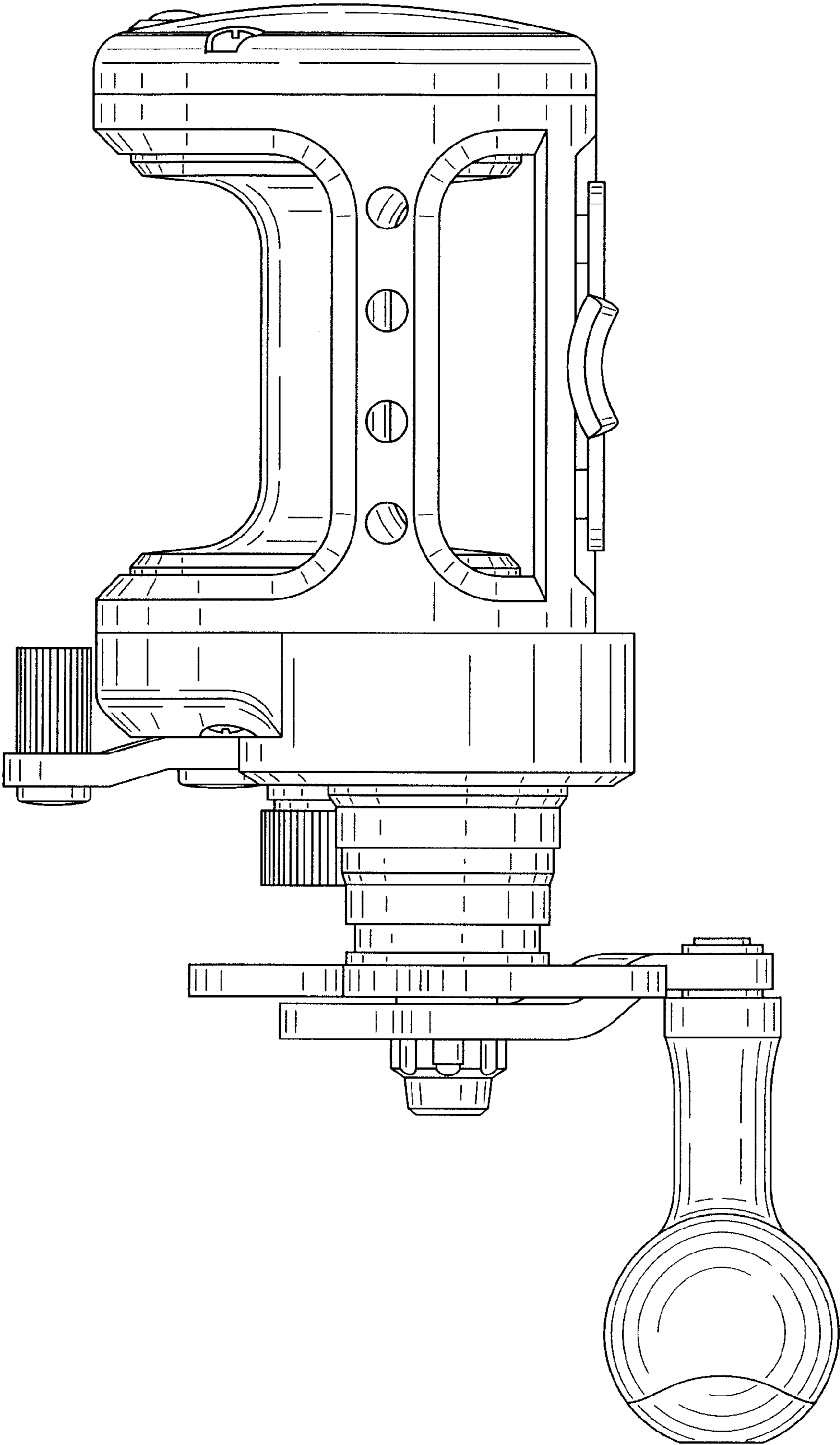


FIG. 3

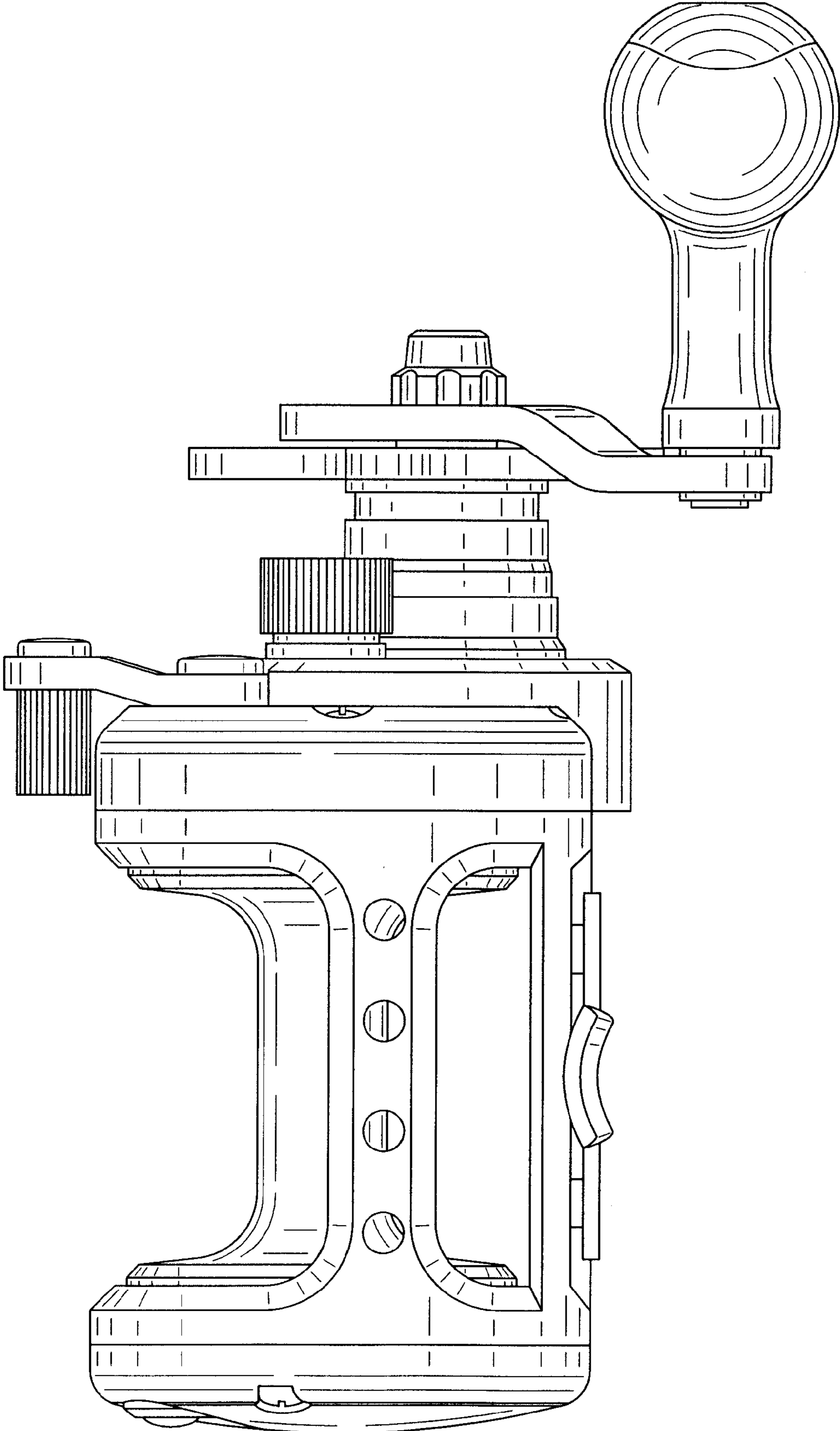


FIG. 4

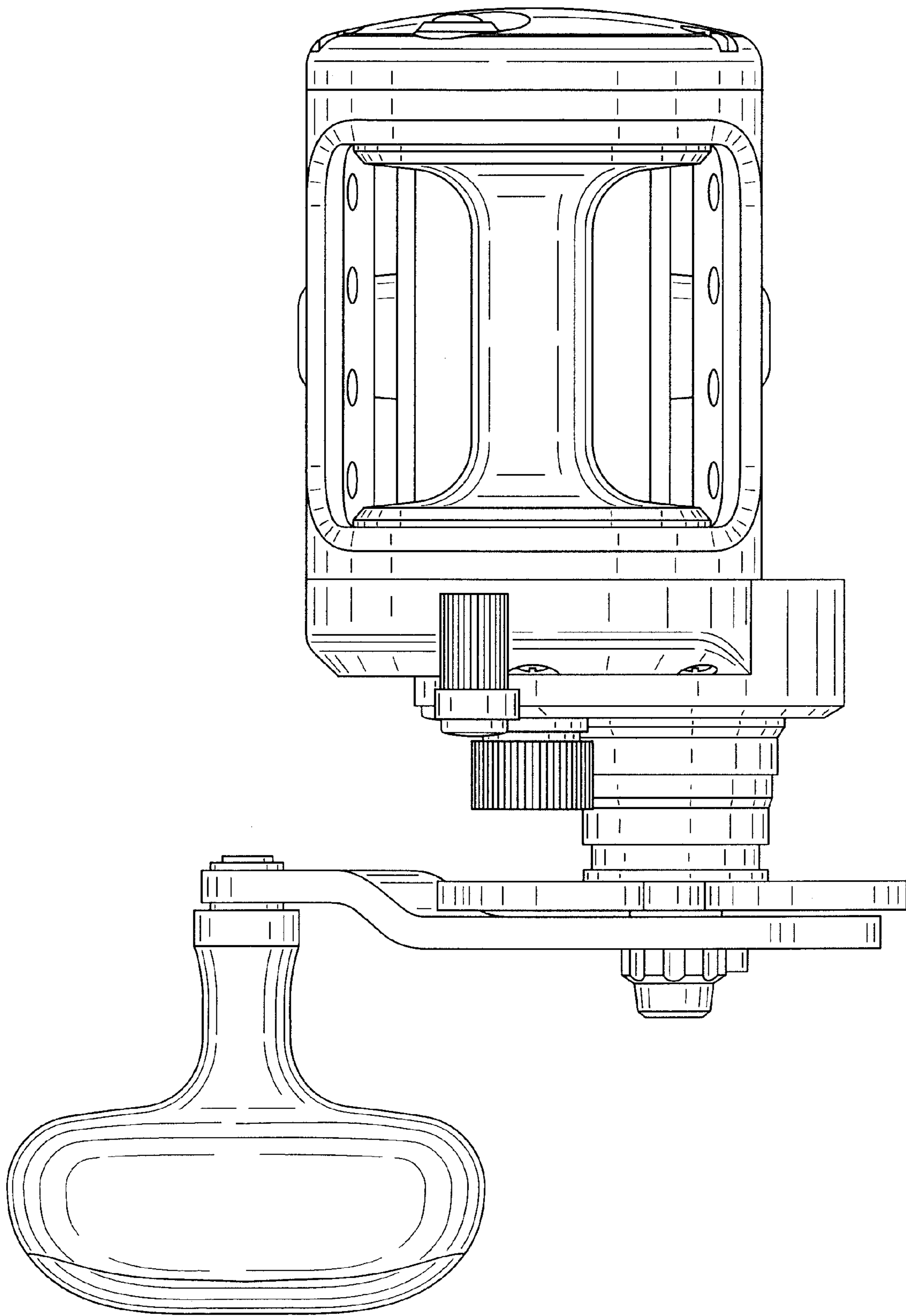


FIG. 5

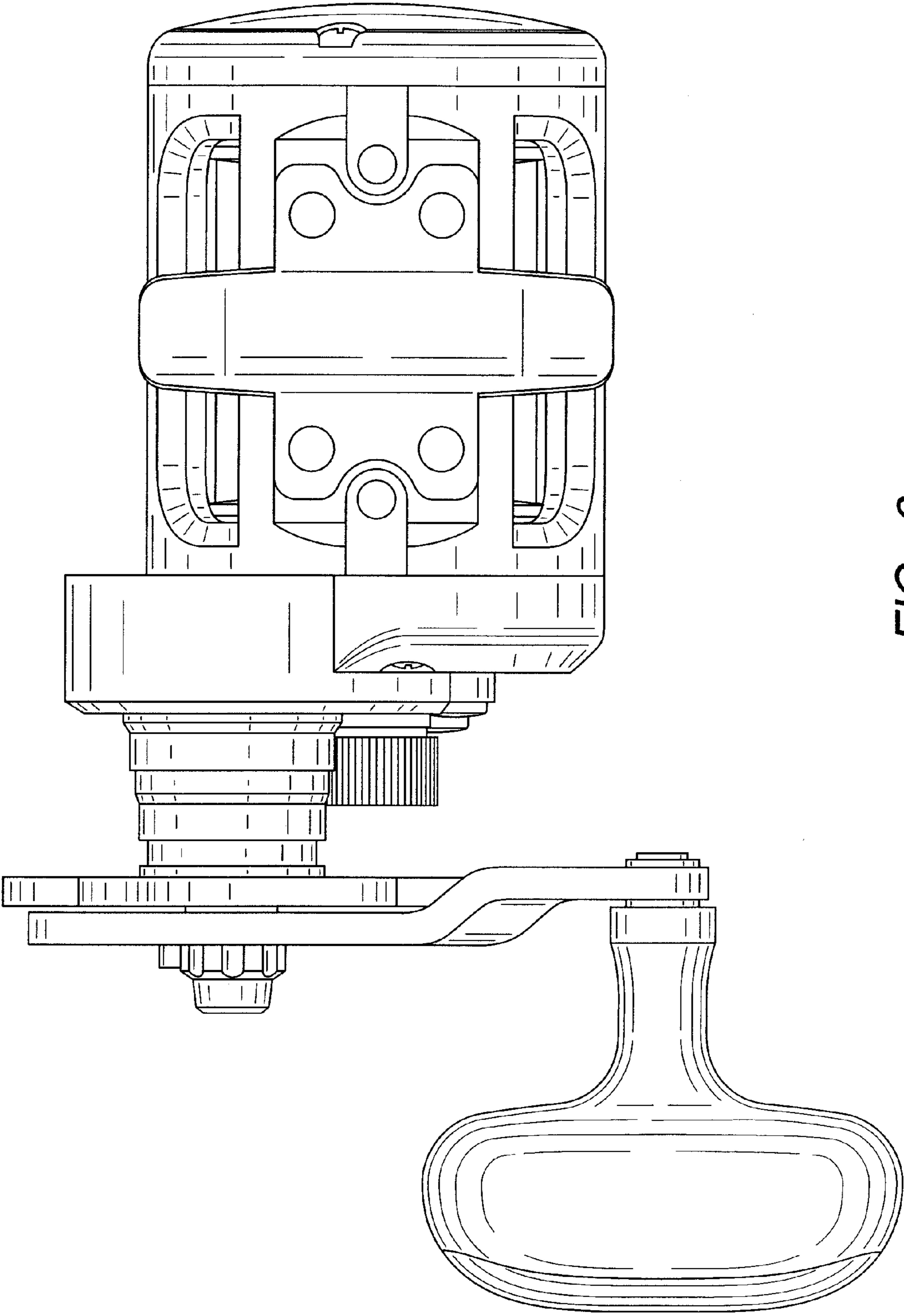


FIG. 6

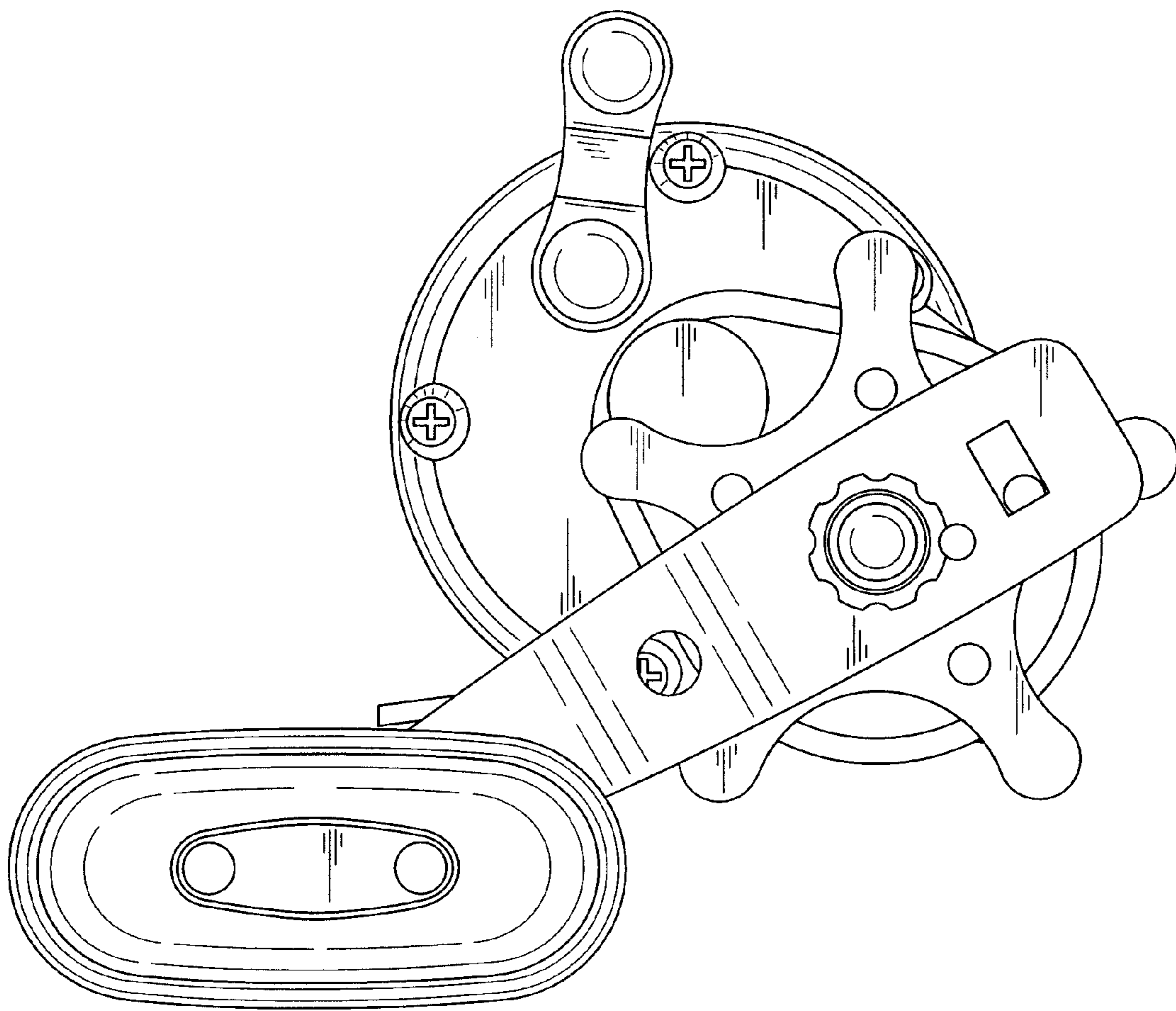


FIG. 7

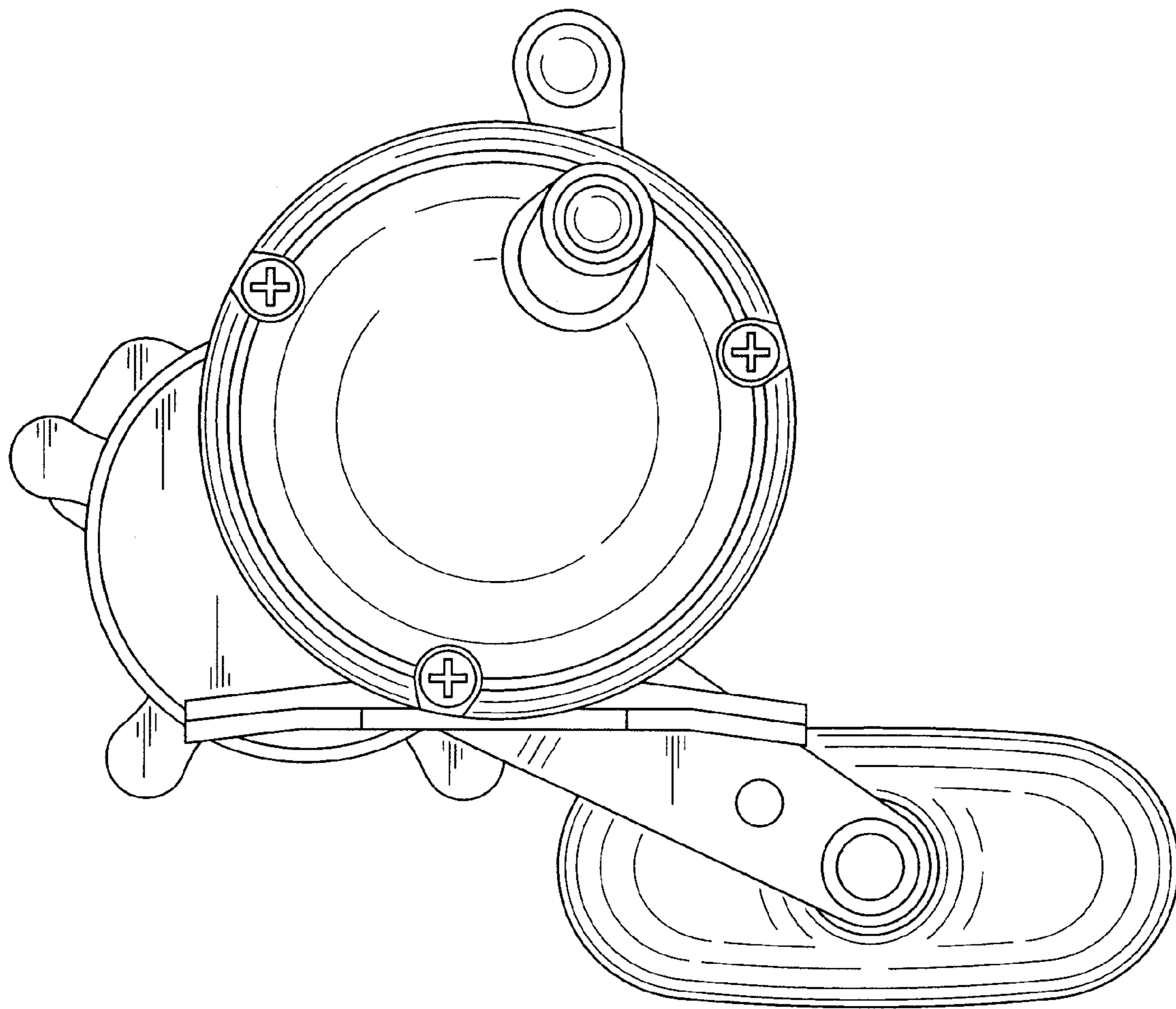


FIG. 8