



US00D586418S

(12) **United States Design Patent**  
**MacQueen**

(10) **Patent No.:** **US D586,418 S**

(45) **Date of Patent:** **\*\* Feb. 10, 2009**

(54) **MAGNETIC ICE HOCKEY SKATE GUARD**

(76) Inventor: **Zackary Graham MacQueen**, 101  
Repulse Bay Road, Apartment B19,  
Hong Kong (SAR) (CN)

(\*\*) Term: **14 Years**

(21) Appl. No.: **29/291,672**

(22) Filed: **Sep. 10, 2007**

(51) **LOC (9) Cl.** ..... **21-02**

(52) **U.S. Cl.** ..... **D21/761; D21/772**

(58) **Field of Classification Search** ..... **D21/760-792;**  
**280/809, 811, 825, 11.18, 11.1**

See application file for complete search history.

(56) **References Cited**

**U.S. PATENT DOCUMENTS**

1,310,137	A *	7/1919	Sadowsky	.....	280/825
D185,967	S *	8/1959	Johns	.....	D21/772
D189,923	S *	3/1961	Swett	.....	D21/772
D265,674	S *	8/1982	Gronborg et al.	.....	D21/772
4,382,615	A *	5/1983	Gronborg et al.	.....	280/825

5,522,621	A *	6/1996	Schneider	.....	280/825
D400,946	S *	11/1998	St. Amand et al.	.....	D21/761
D459,778	S *	7/2002	Gronborg	.....	D21/772

\* cited by examiner

*Primary Examiner*—Holly H. Baynham  
*Assistant Examiner*—Cynthia M Chin

(57) **CLAIM**

The ornamental design for a magnetic ice hockey skate guard,  
as shown and described.

**DESCRIPTION**

FIG. 1 is a left-side elevational view of a magnetic ice hockey  
skate guard, the opposite right-side elevational view being  
identical thereto;

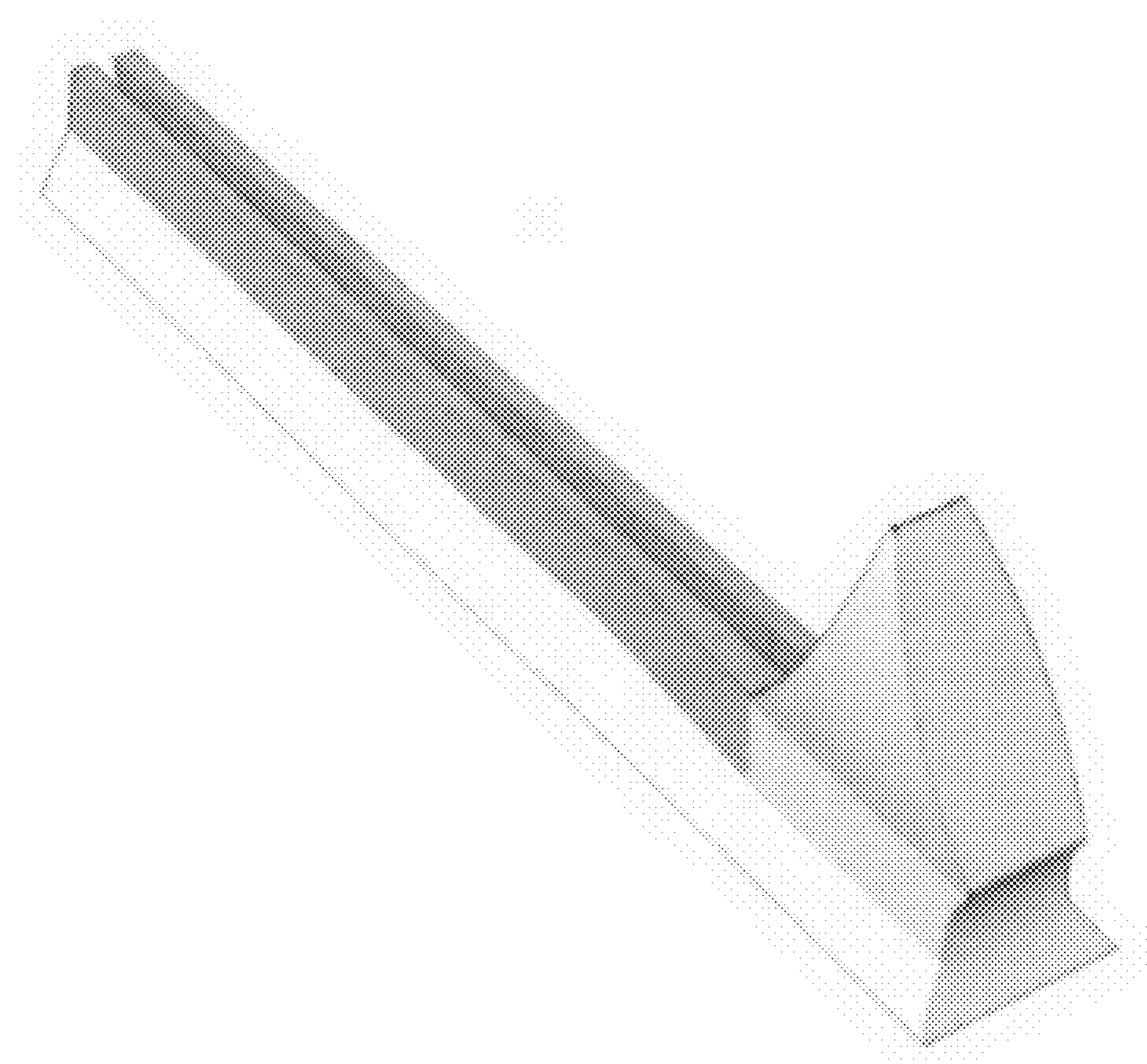
FIG. 2 is a front elevational view thereof;

FIG. 3 is a rear elevational view thereof;

FIG. 4 is a top plan view thereof; and,

FIG. 5 is a reduced right-front perspective view thereof.

**1 Claim, 1 Drawing Sheet**



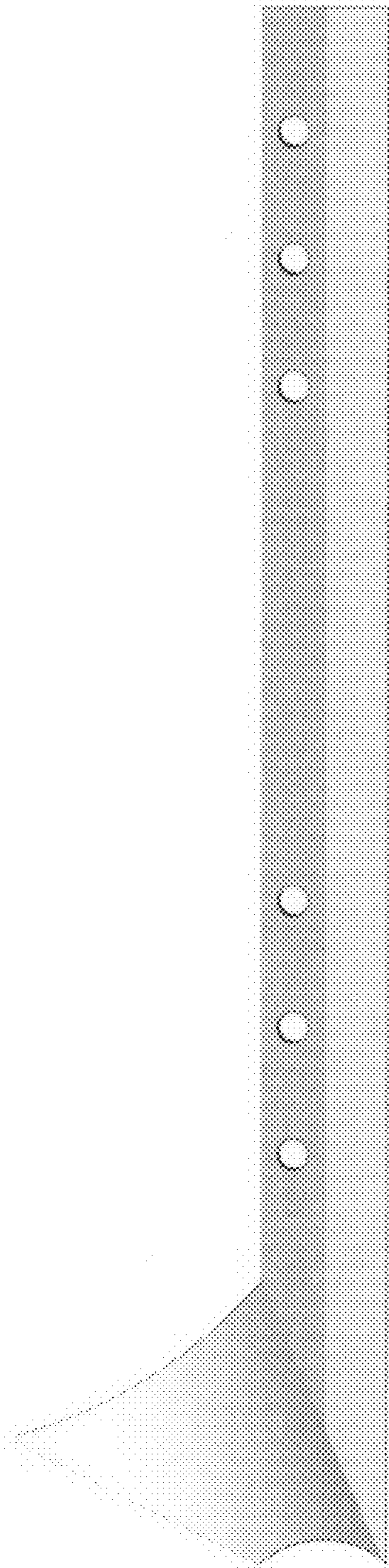


FIG. 1

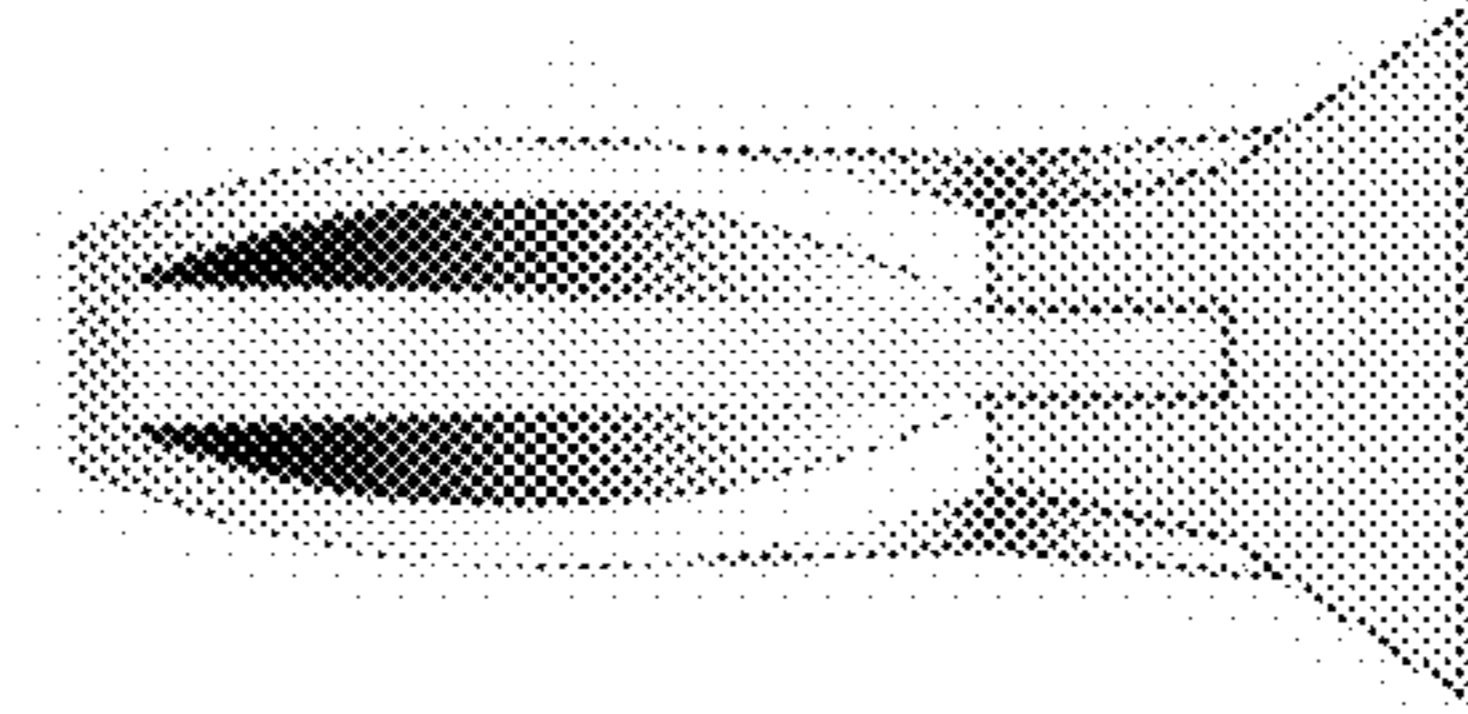


FIG. 3

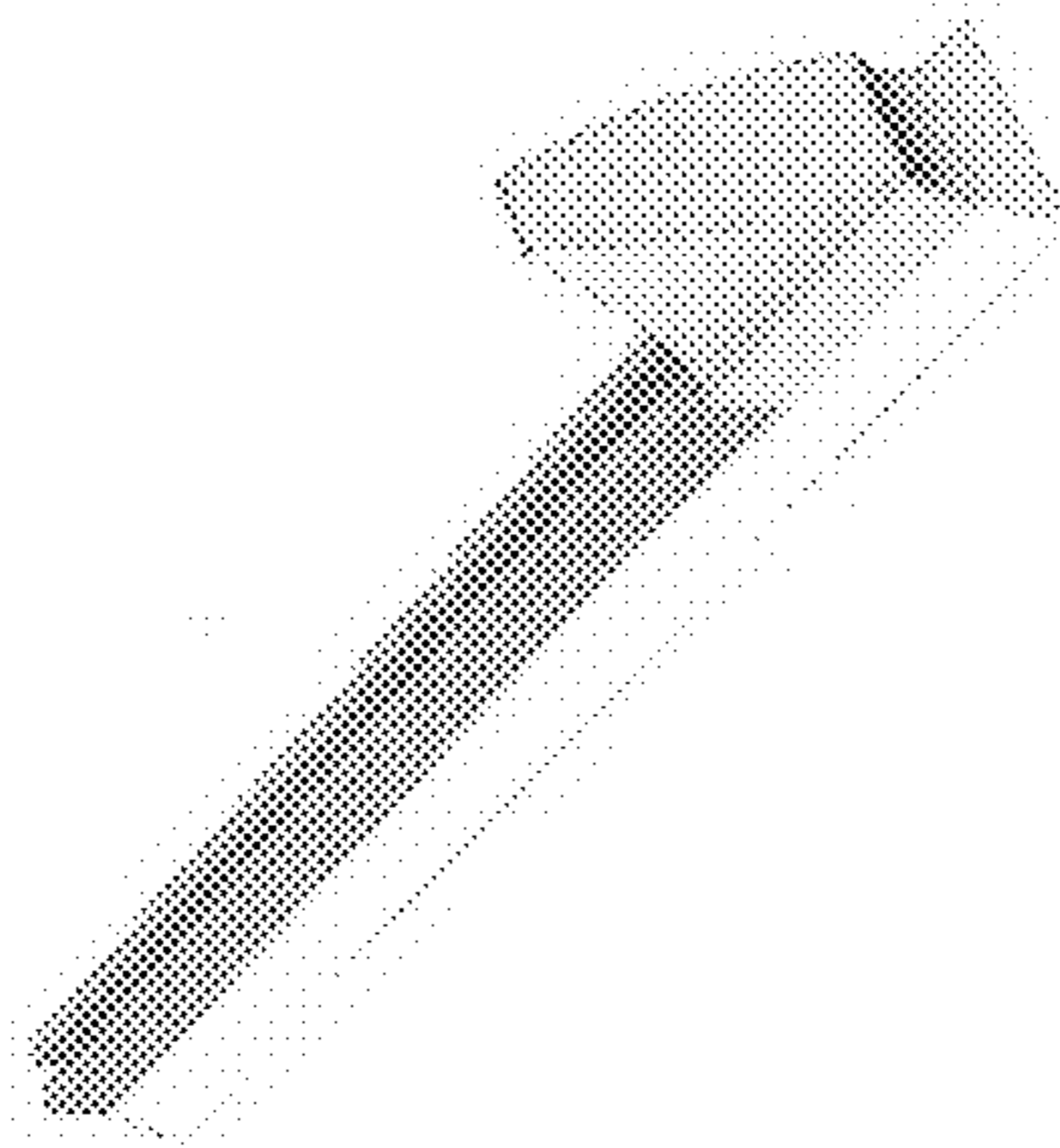


FIG. 5

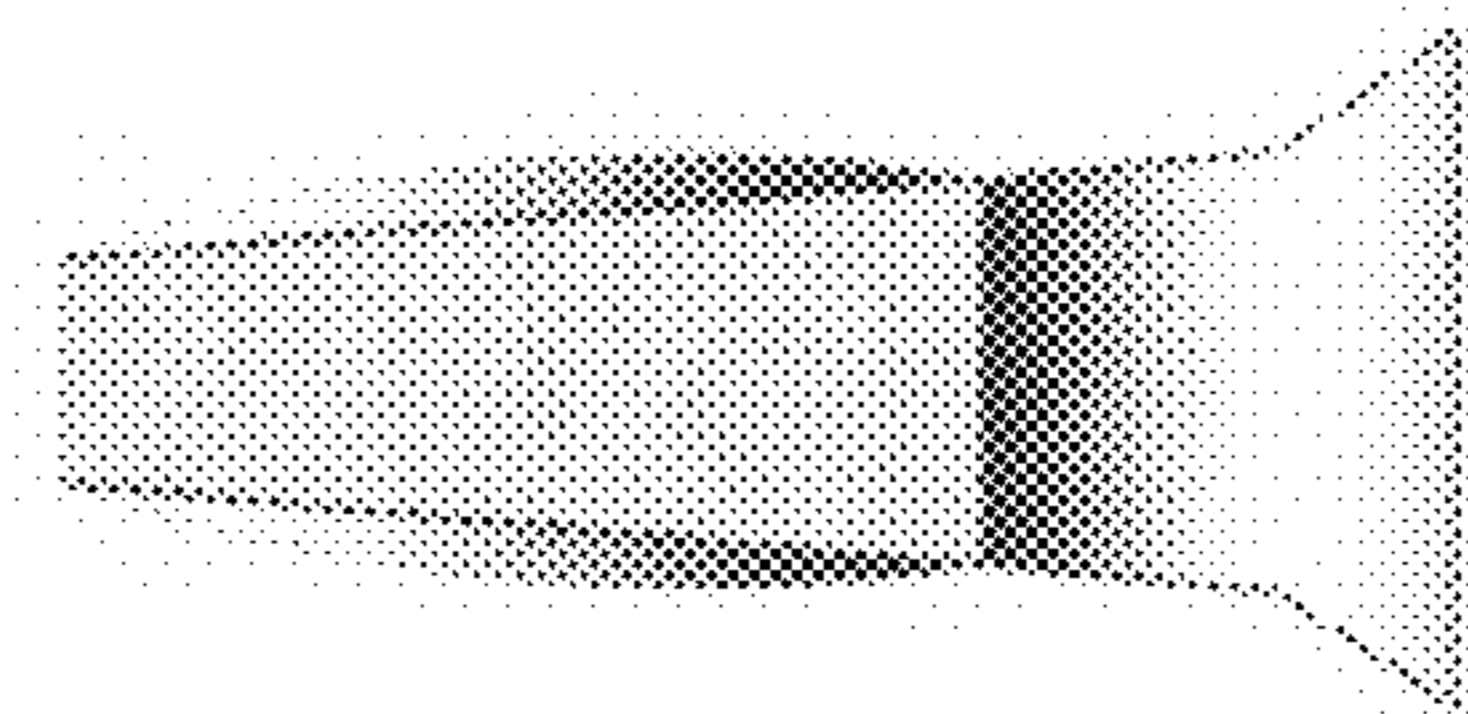


FIG. 2

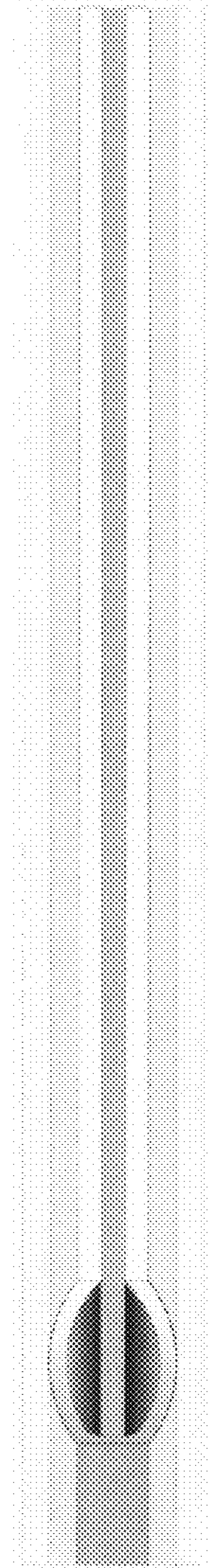


FIG. 4